



US00D380944S

United States Patent [19]
Nielsen

[11] **Patent Number:** **Des. 380,944**
[45] **Date of Patent:** ****Jul. 15, 1997**

[54] **CUTTING BOARD**

2,693,400 11/1954 Erickson 108/46 X
3,709,159 1/1973 Oglesby, Jr. 108/44

[76] **Inventor:** **James C. Nielsen**, P.O. Box 234,
LaConner, Wash. 98257

Primary Examiner—James M. Gandy
Assistant Examiner—Caron D. Veynar
Attorney, Agent, or Firm—James A. Hudak

[**] **Term:** **14 Years**

[21] **Appl. No.:** **43,797**

[57] **CLAIM**

[22] **Filed:** **Sep. 12, 1995**

The ornamental design for a cutting board, as shown and described.

[51] **LOC (6) Cl.** **07-01**

DESCRIPTION

[52] **U.S. Cl.** **D7/698; D12/425**

[58] **Field of Search** **D7/698, 549, 402;**
D6/429, 574; D12/406, 425; 108/44, 46-48;
224/406, 482; 269/289 R, 302.1, 291, 303,
315, 900, 901

FIG. 1 is a perspective view of the cutting board showing my new design;

FIG. 2 is a front elevational view thereof;

FIG. 3 is a rear elevational view thereof;

FIG. 4 is a left side elevational view thereof, the right side elevational view being a mirror image of the view shown in this Figure;

FIG. 5 is a top plan view thereof; and,

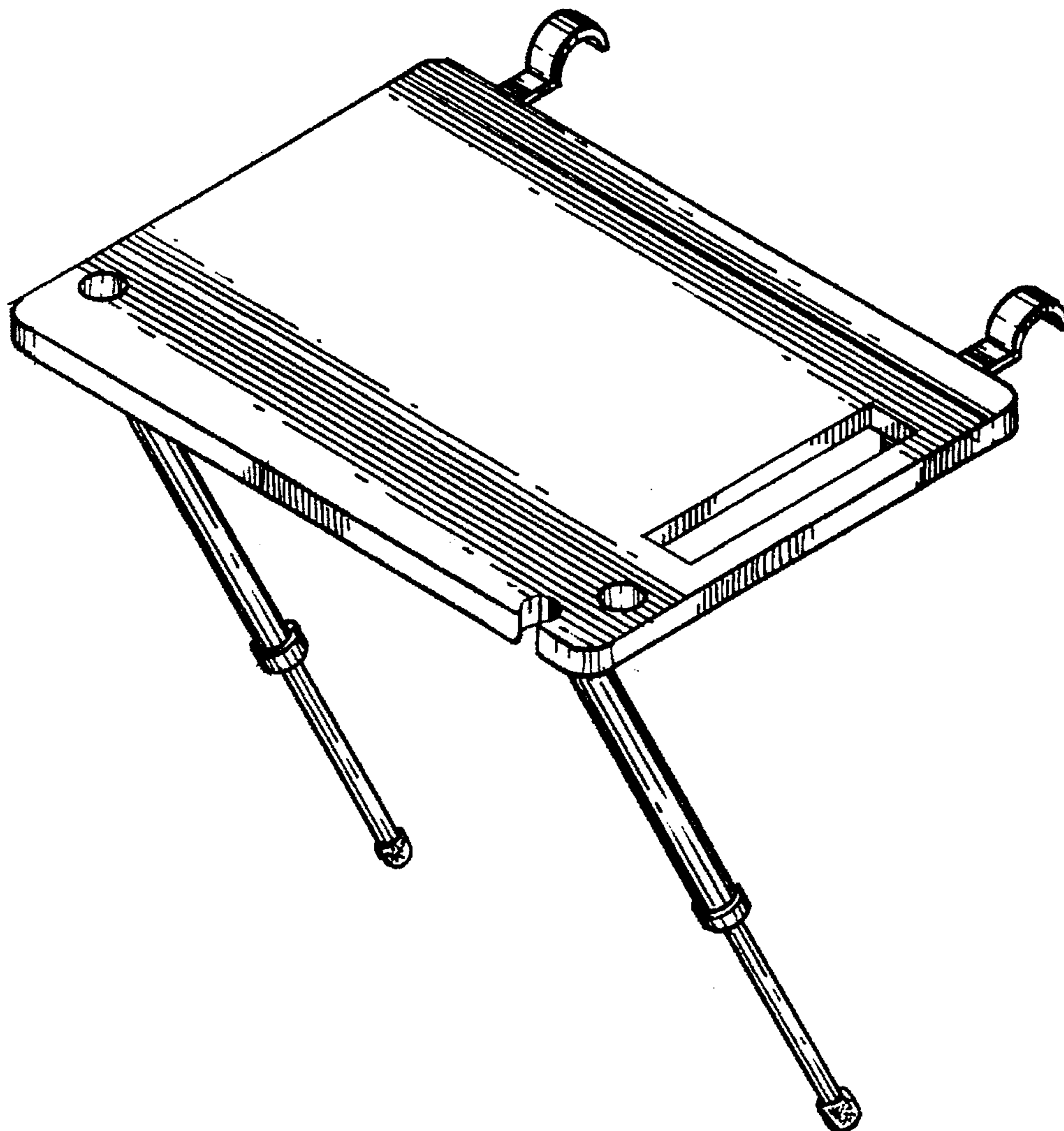
FIG. 6 is a bottom plan view thereof.

[56] **References Cited**

U.S. PATENT DOCUMENTS

- D. 257,296 10/1980 White D12/425
- D. 298,406 11/1988 Stephen et al. D7/402
- D. 340,339 10/1993 Kean et al. D12/425 X
- D. 353,123 12/1994 Korona D7/549 X

1 Claim, 3 Drawing Sheets



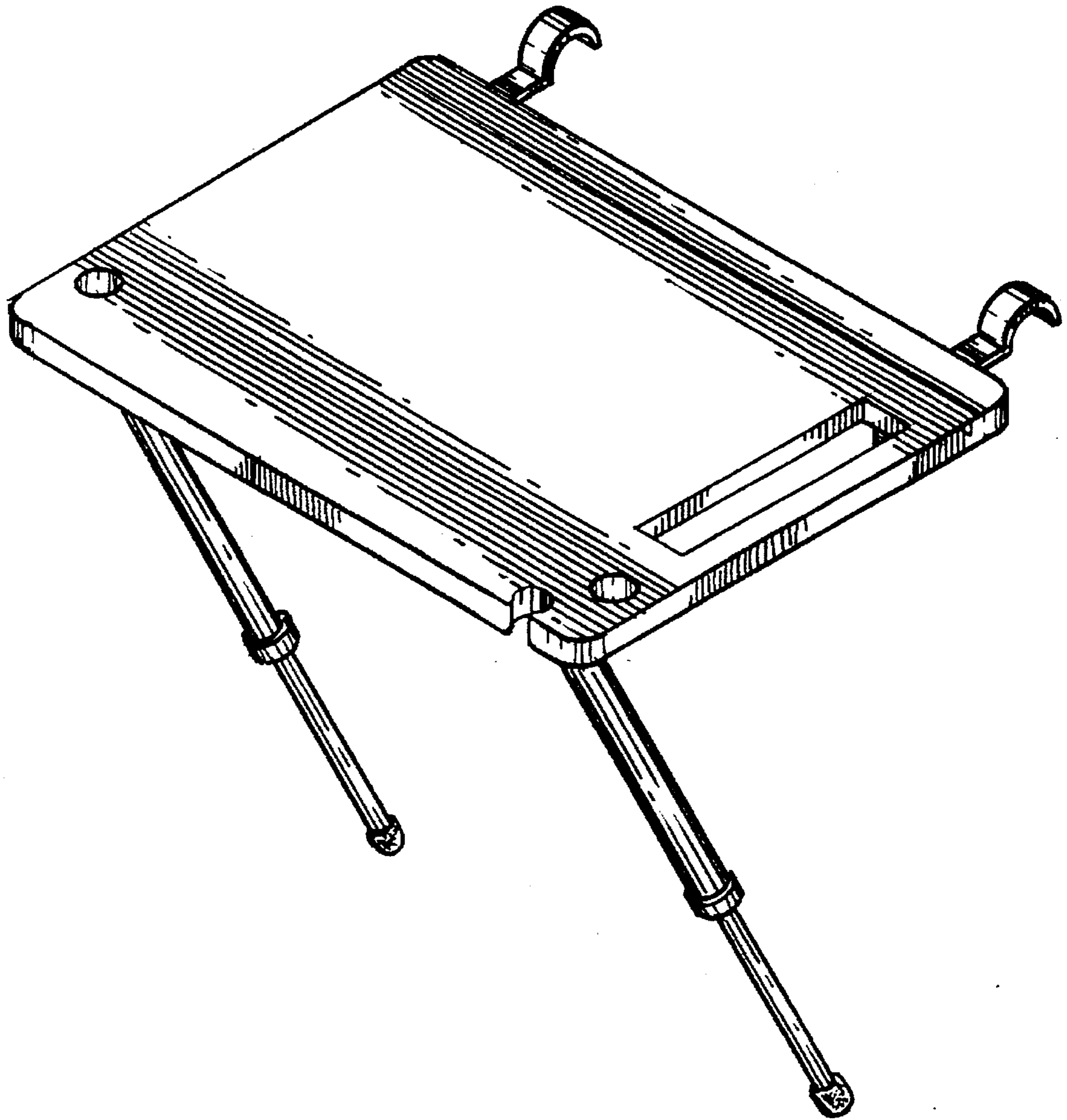


FIG. 1

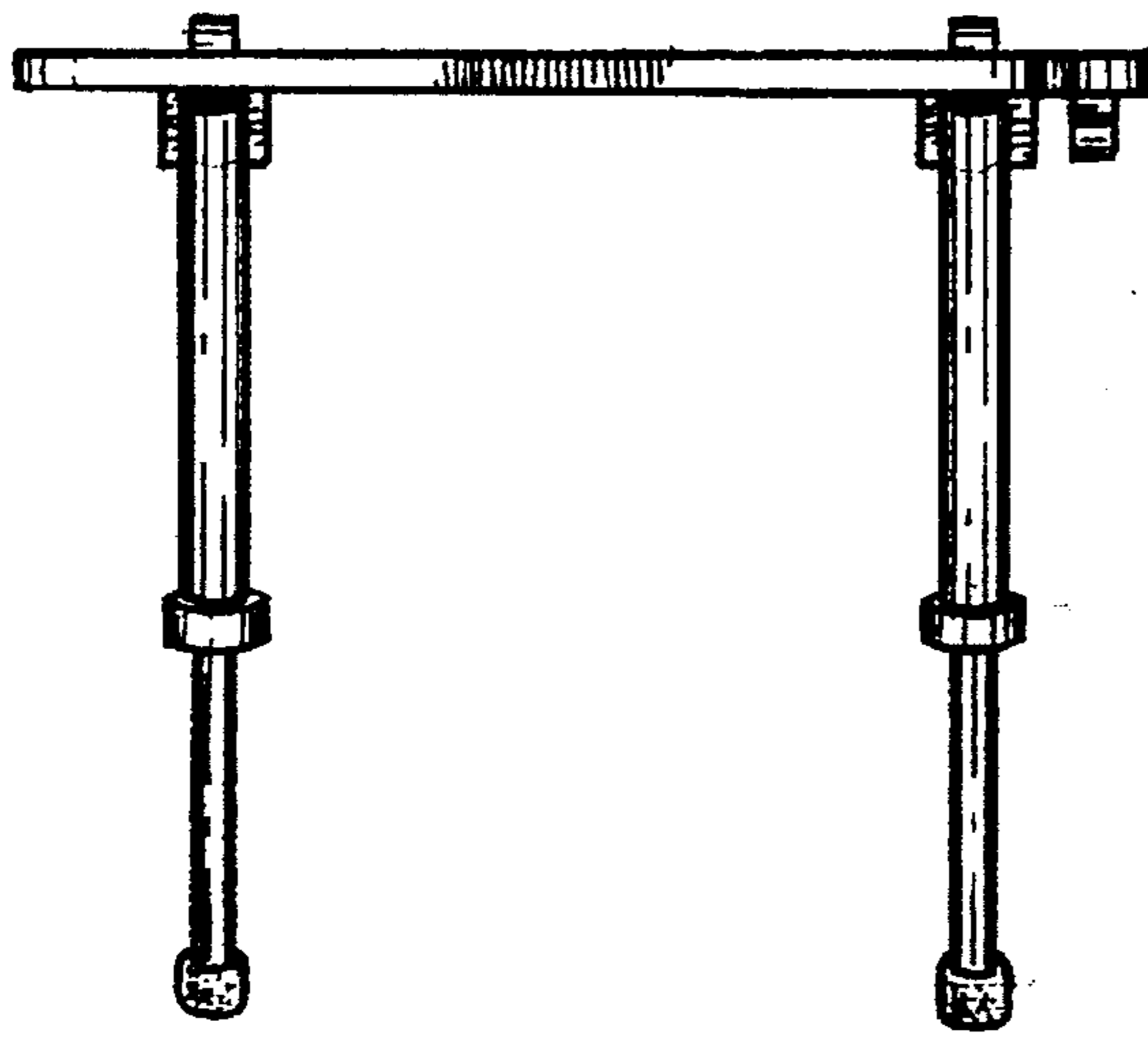


FIG. 2

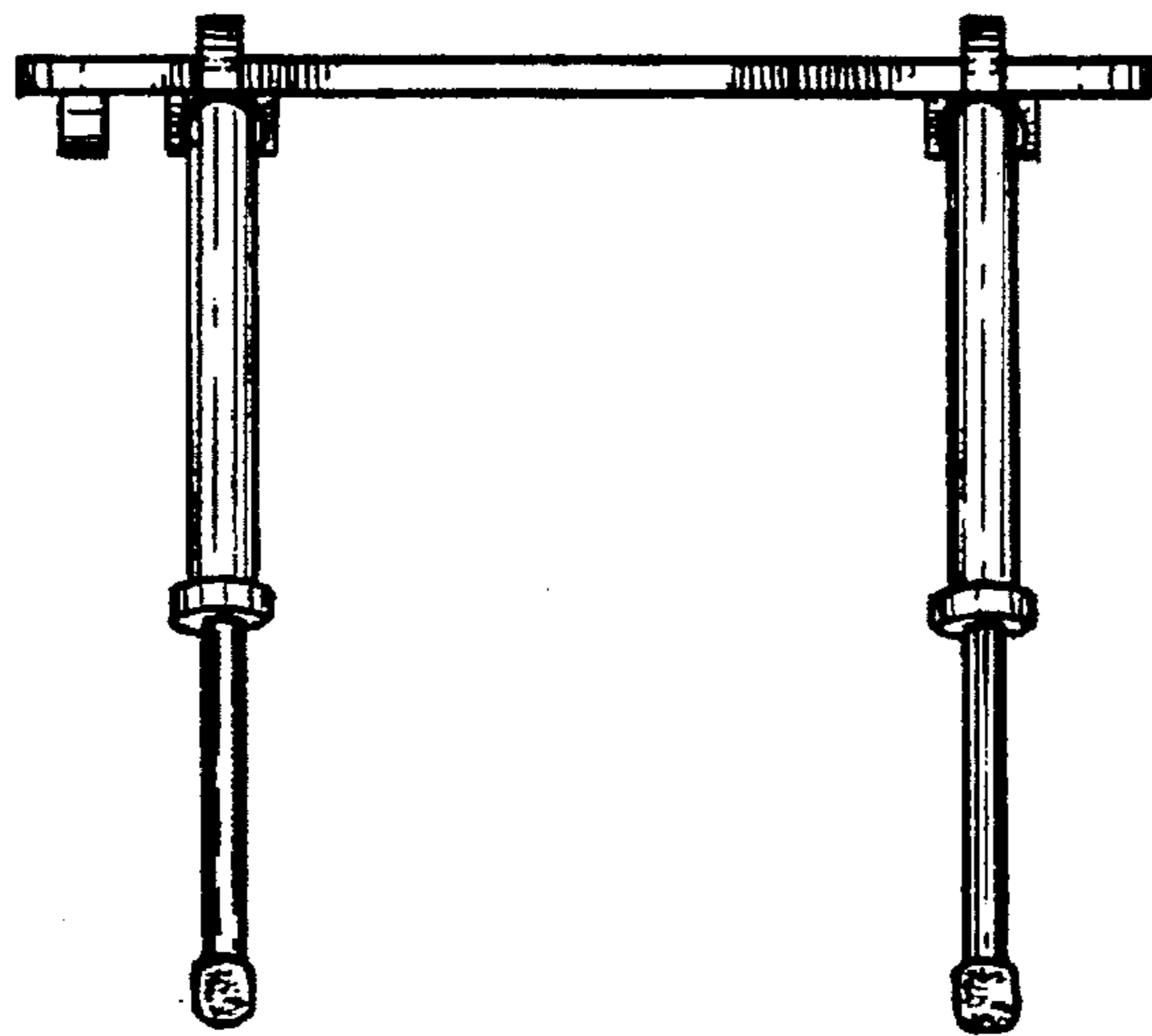


FIG. 3

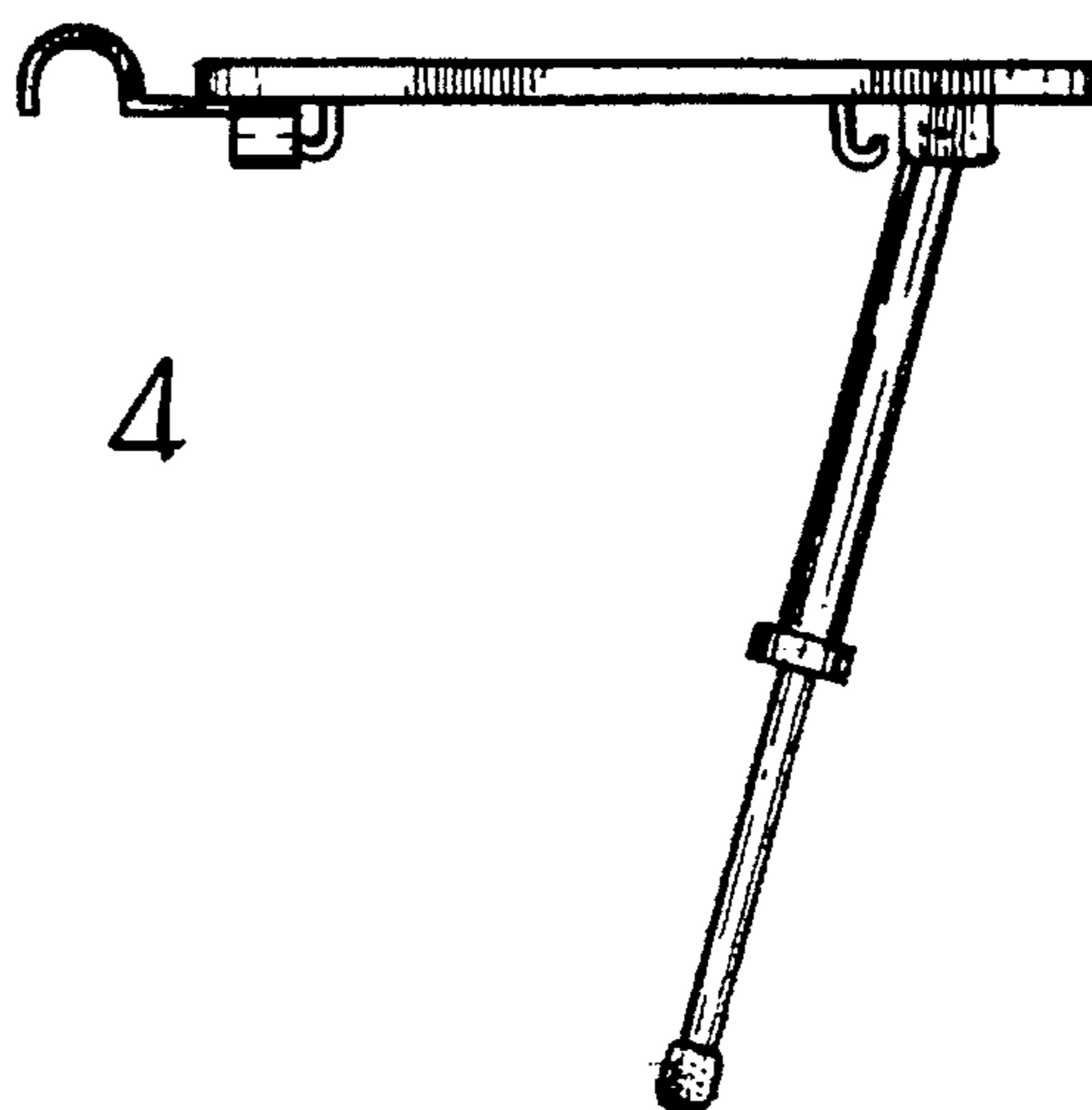


FIG. 4

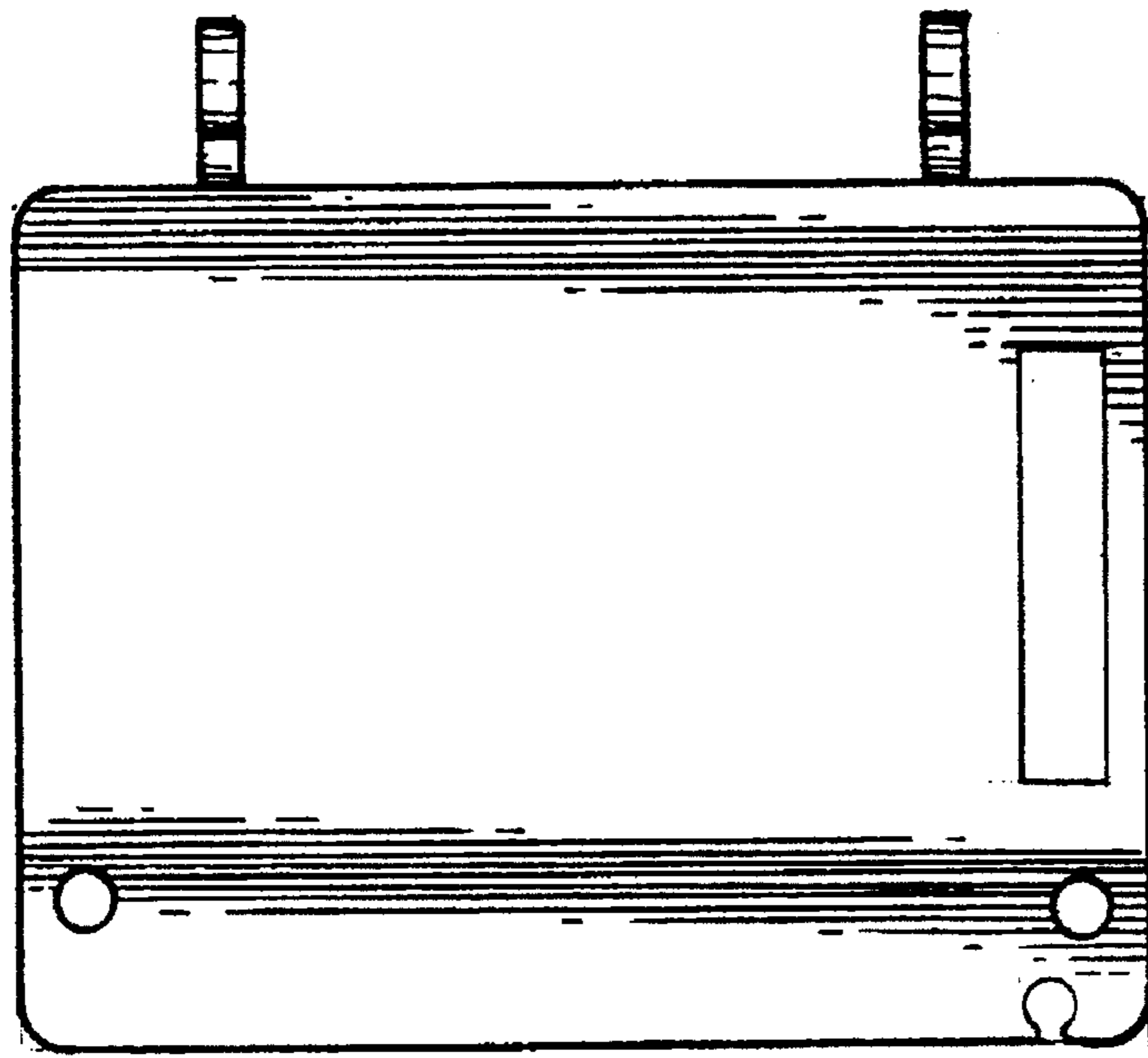


FIG. 5

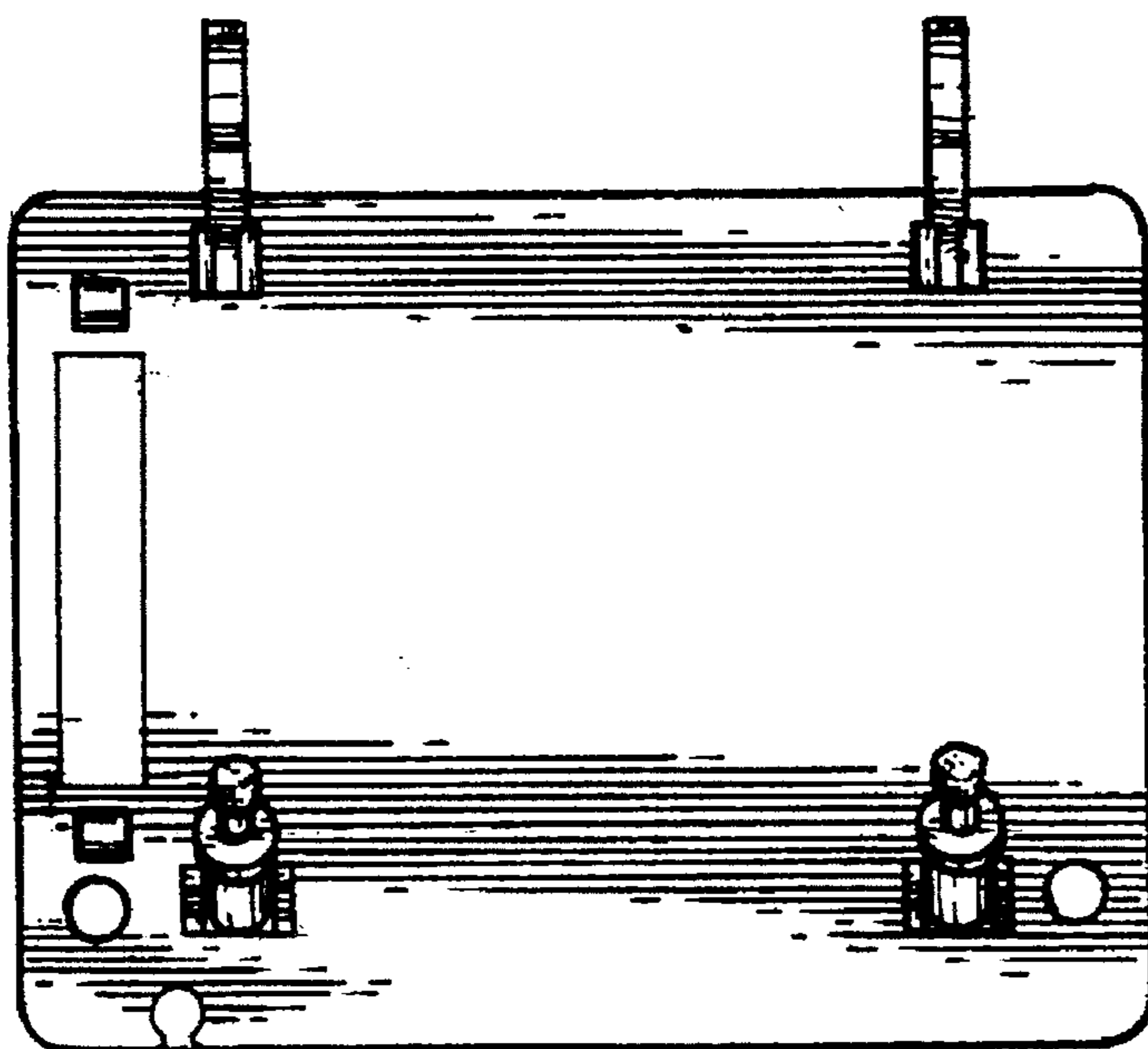


FIG. 6