



US00D380939S

United States Patent [19] Richter

[11] Patent Number: **Des. 380,939**

[45] Date of Patent: ****Jul. 15, 1997**

[54] **CUP HOLDER**

5,404,800 4/1995 Hsu 248/311.2 X

[76] Inventor: **Herbert Richter**, Drosselweg 8, 75331 Engelbrand, Germany

Primary Examiner—Terry A. Wallace
Attorney, Agent, or Firm—Klaus J. Bach

[**] Term: **14 Years**

[57] CLAIM

[21] Appl. No.: **57,254**

The ornamental design for a cup holder, as shown and described.

[22] Filed: **Jul. 22, 1996**

DESCRIPTION

[51] **LOC (6) Cl.** **07-06**

FIG. 1 is a perspective view of the cup holder showing my new design;

[52] **U.S. Cl.** **D7/619**

FIG. 2 is a front elevation view thereof;

[58] **Field of Search** D7/619-625; D12/411, D12/419, 417; 211/71, 74; 215/393, 394; 220/737; 248/311.2

FIG. 3 is a rear elevation view thereof;

FIG. 4 is a left side elevation view thereof;

FIG. 5 is a right side elevation view thereof;

FIG. 6 is a top plan view thereof; and,

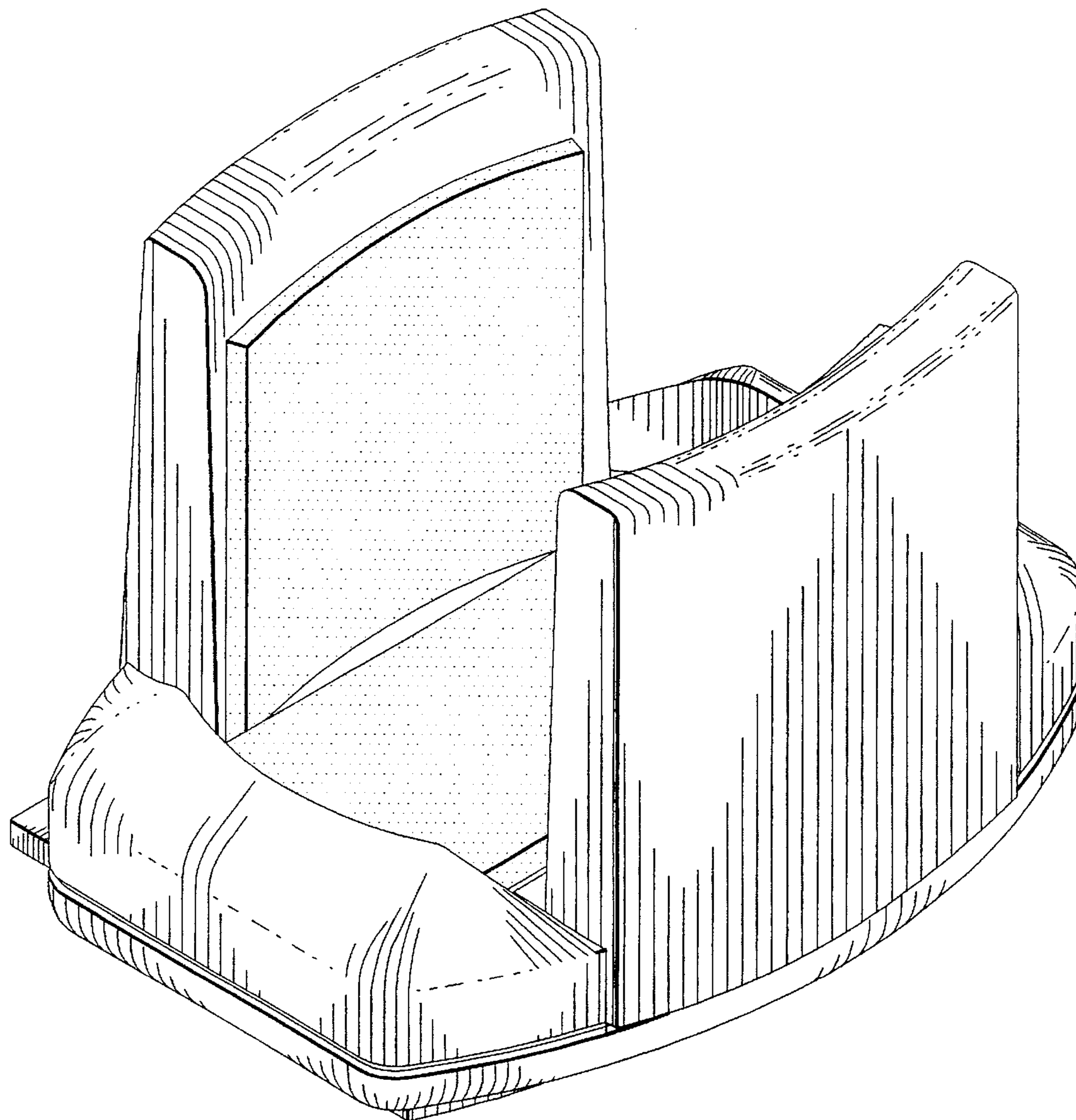
FIG. 7 is a bottom plan view thereof.

[56] References Cited

U.S. PATENT DOCUMENTS

5,280,870 1/1994 Chick et al. 248/311.2

1 Claim, 4 Drawing Sheets



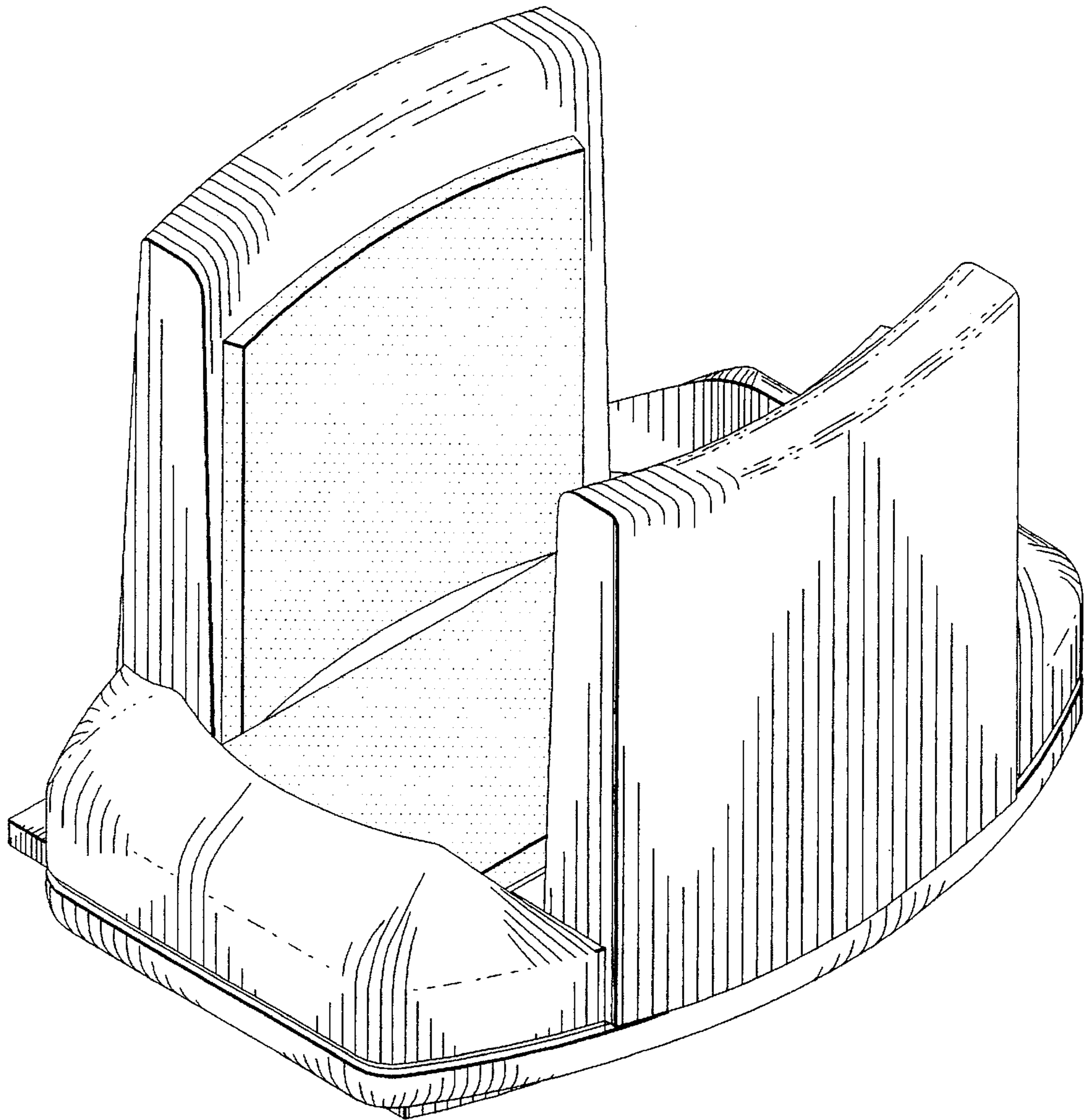


FIG. 1

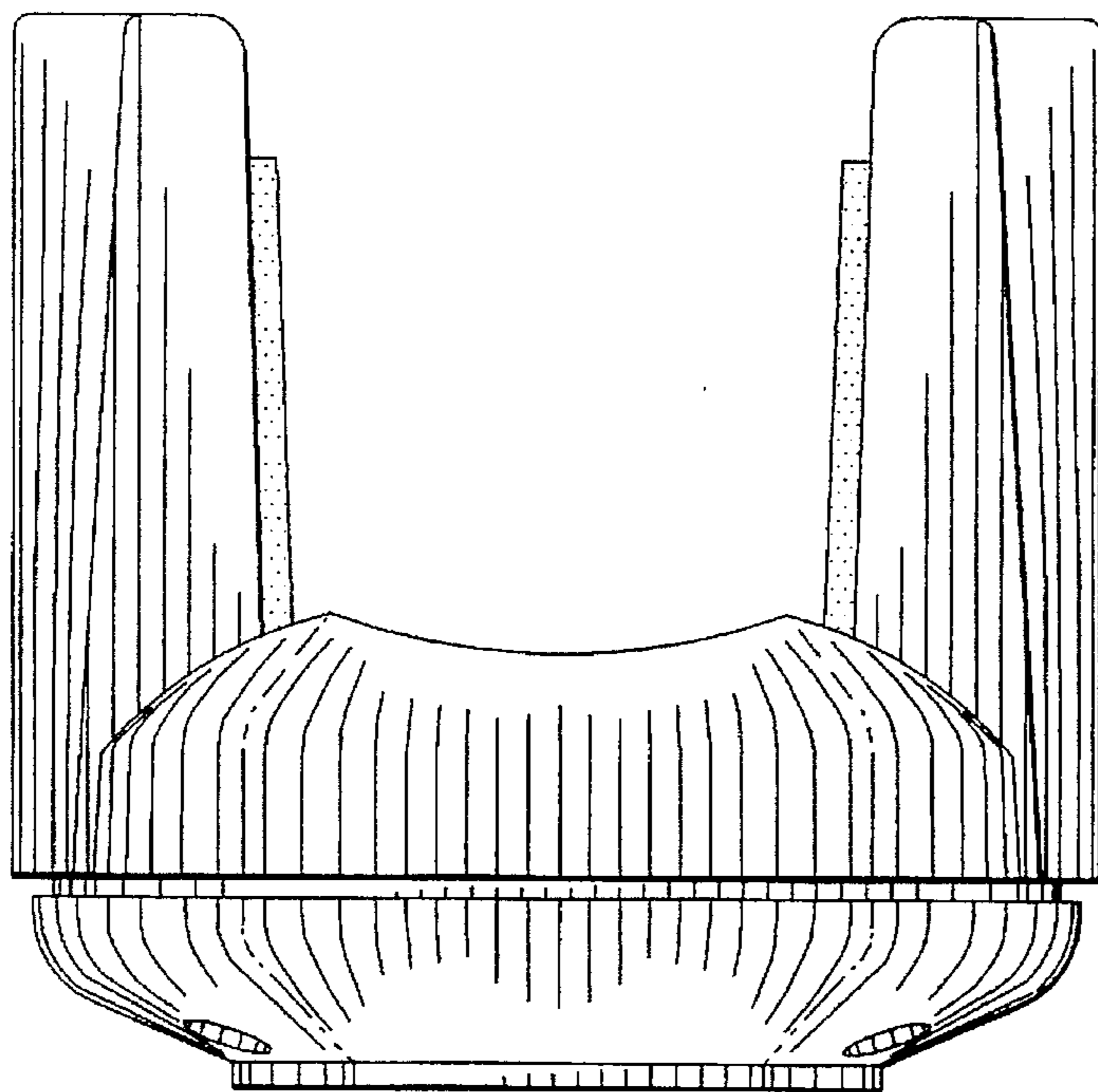


FIG. 2

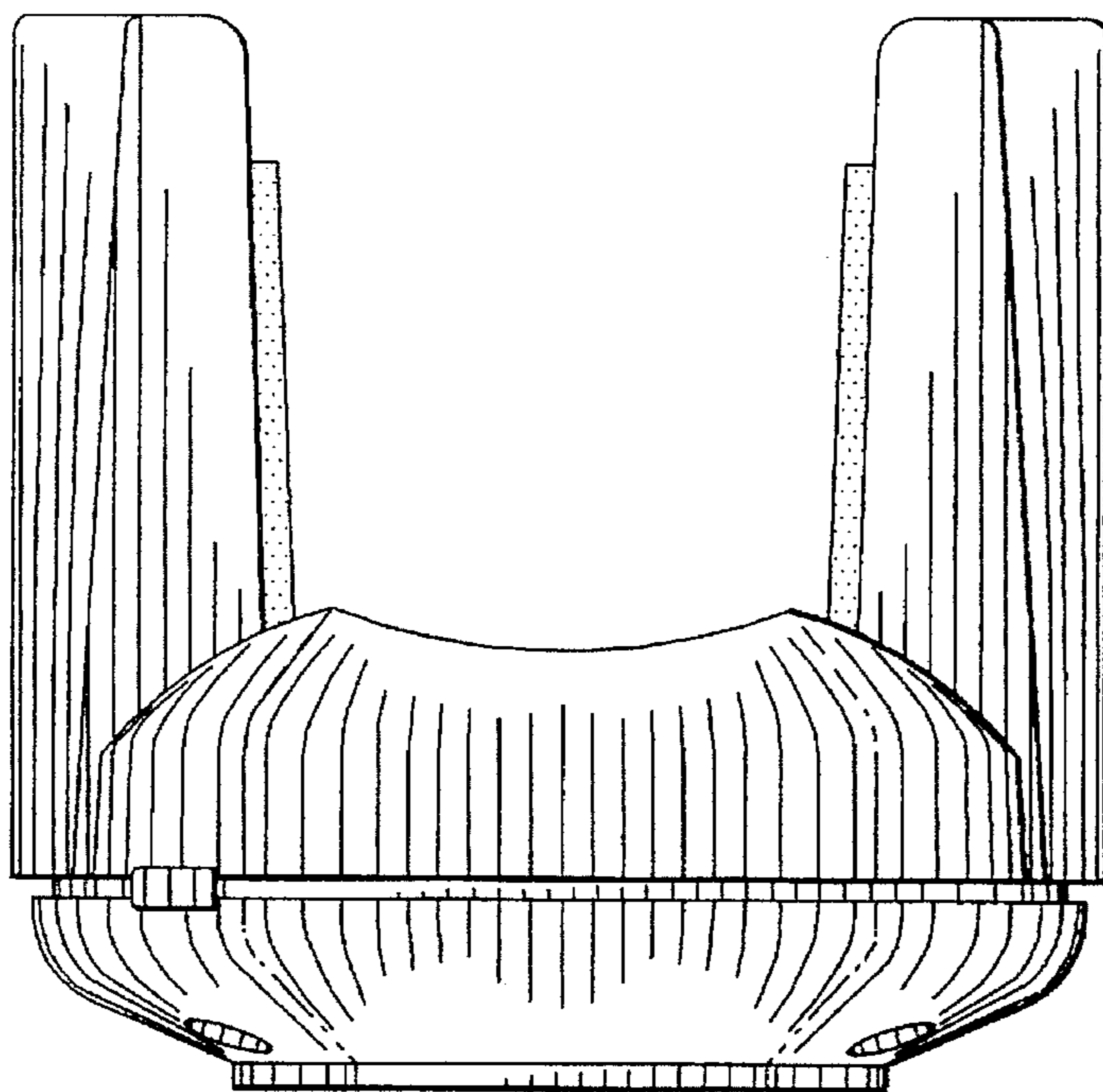


FIG. 3

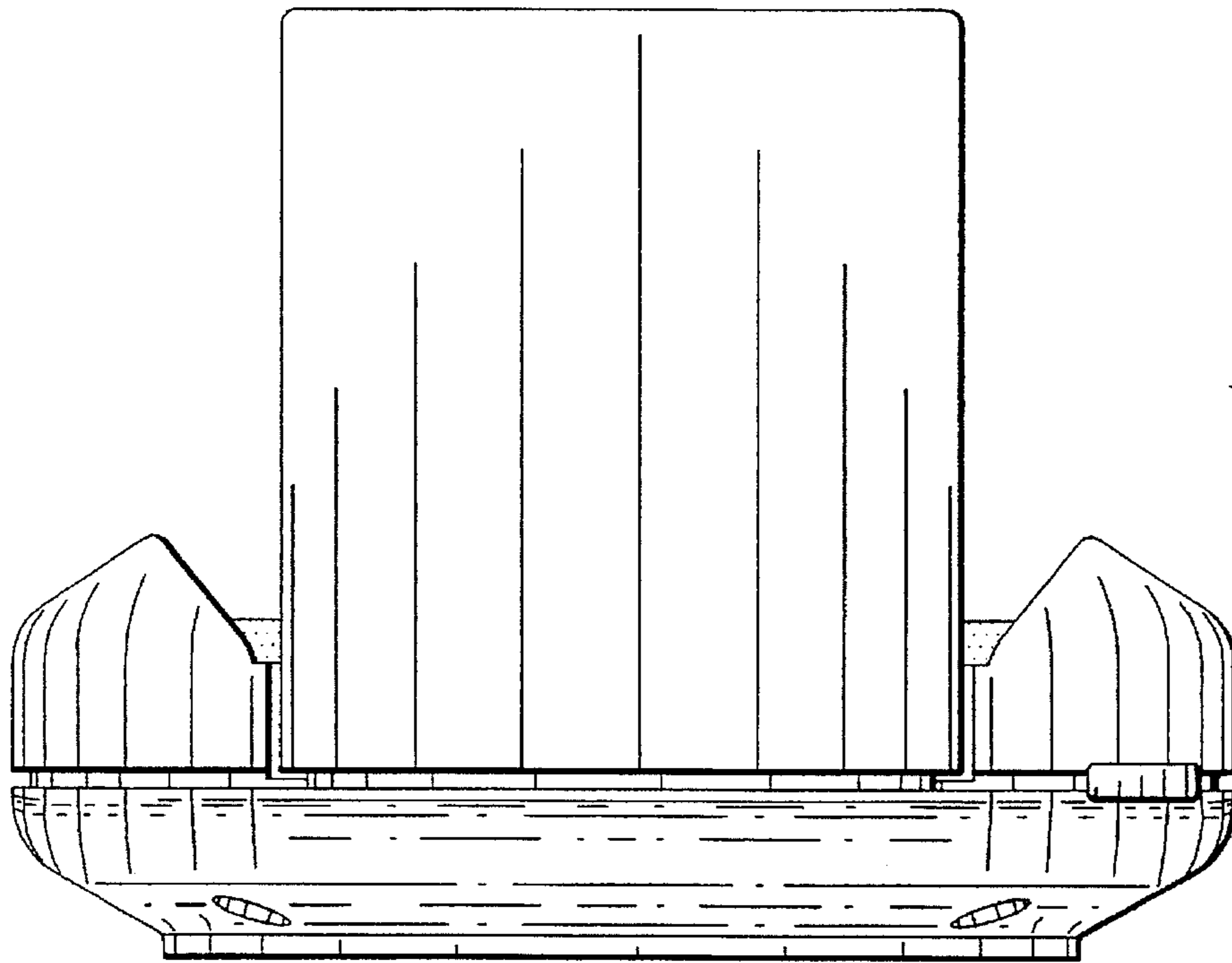


FIG. 4

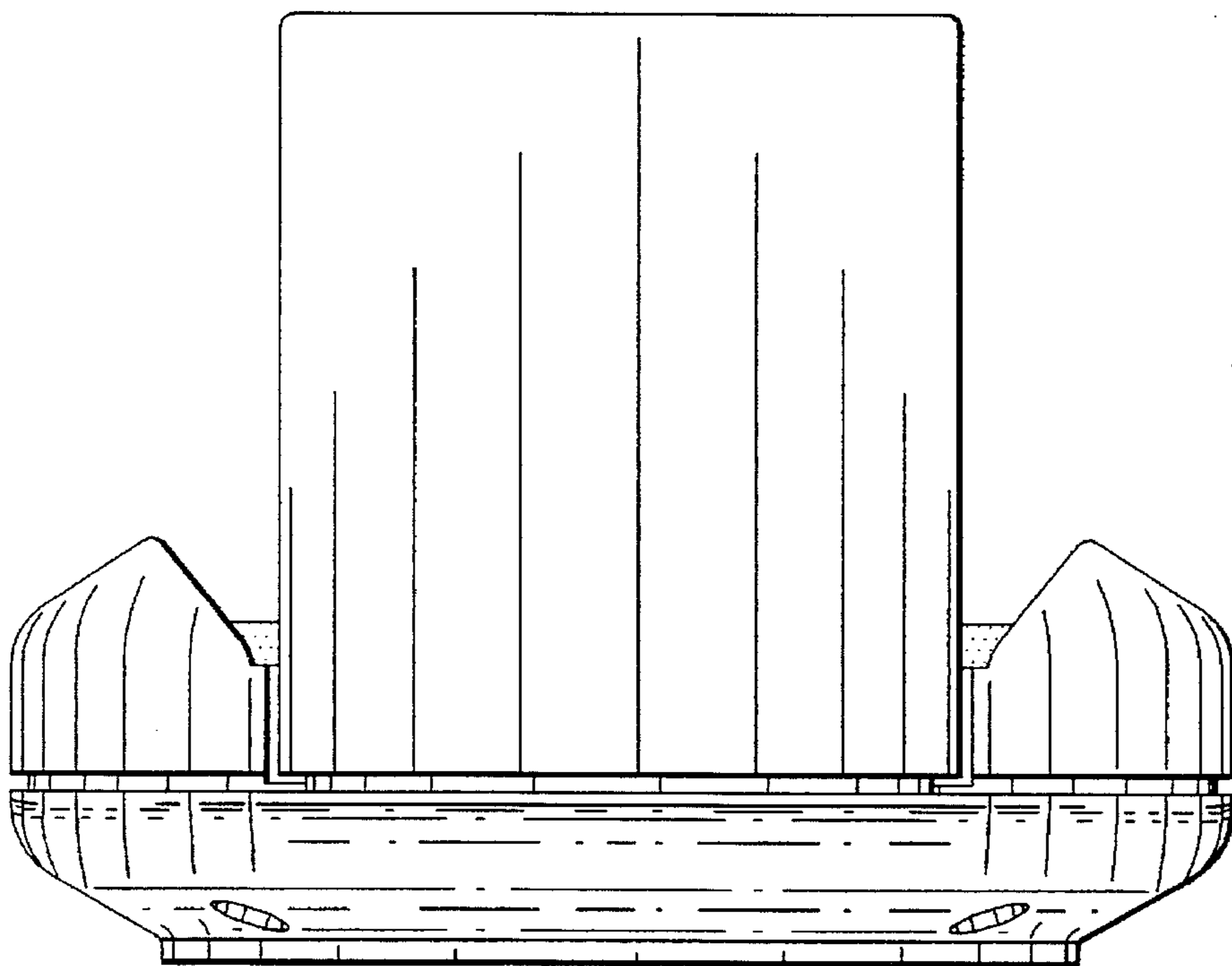


FIG. 5

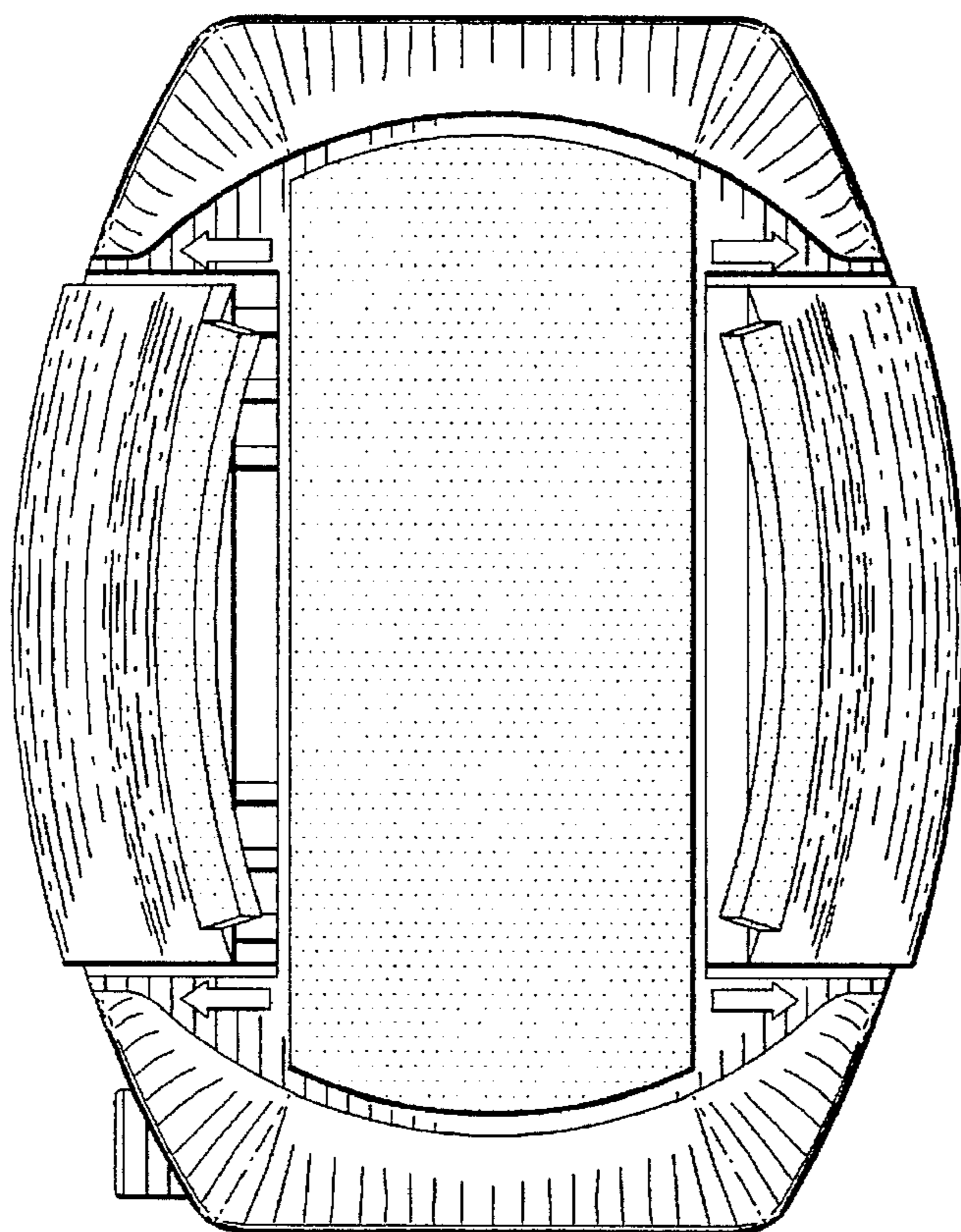


FIG. 6

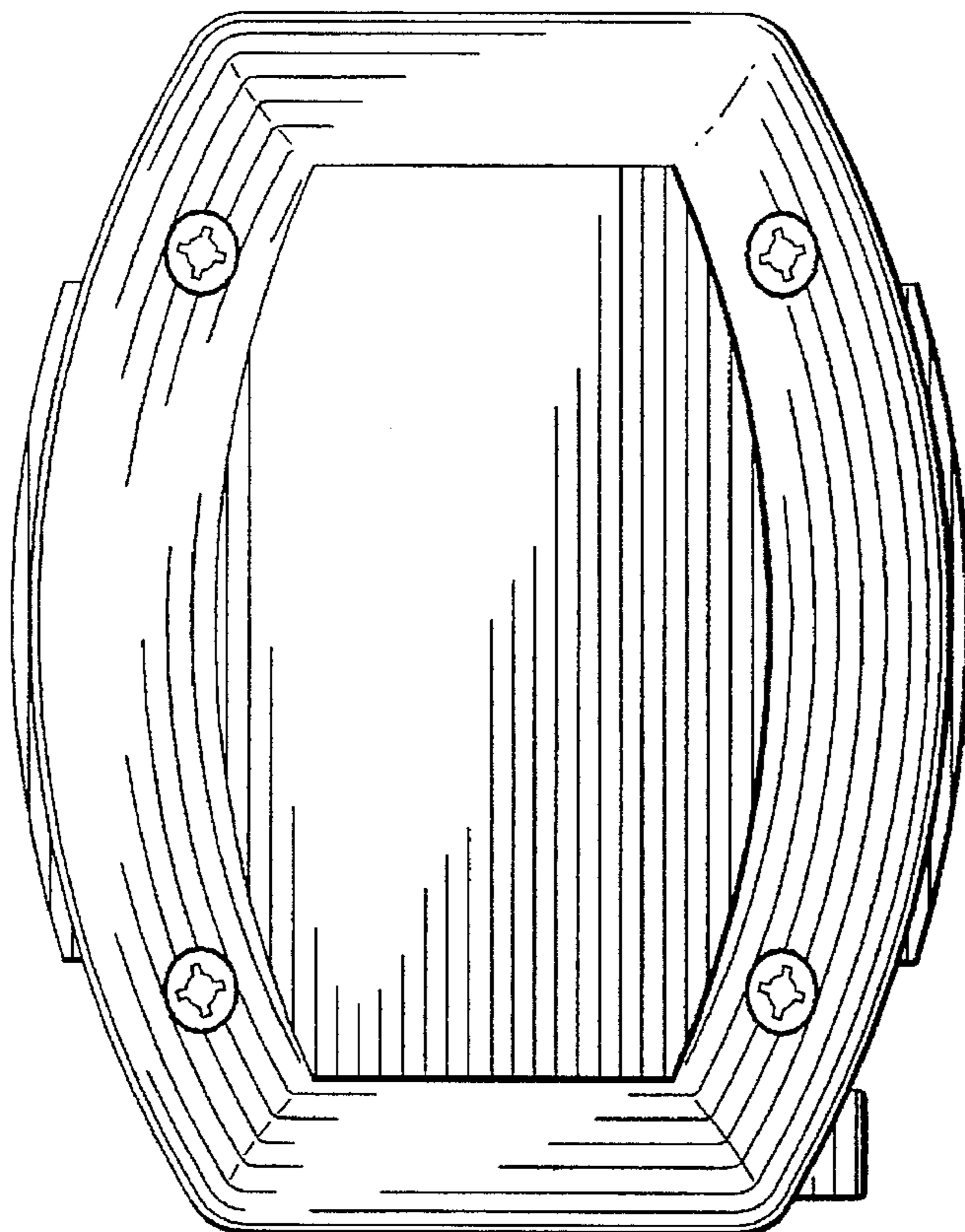


FIG. 7