



US00D380934S

United States Patent [19]

Alarid, Jr.

[11] Patent Number: **Des. 380,934**

[45] Date of Patent: ****Jul. 15, 1997**

[54] **FRYING PAN**

4,768,427 9/1988 Cheng 99/445 X

[76] Inventor: **David Alarid, Jr.**, 1028 N. Fickett St.,
Los Angeles, Calif. 90033

Primary Examiner—M. N. Pandozzi
Attorney, Agent, or Firm—Moreland C. Fischer

[**] Term: **14 Years**

[57] **CLAIM**

[21] Appl. No.: **54,623**

The ornamental design for a frying pan, as shown and described.

[22] Filed: **May 17, 1996**

DESCRIPTION

[51] **LOC (6) Cl.** **07-02**

[52] **U.S. Cl.** **D7/354; D7/361**

[58] **Field of Search** **D7/361, 354, 357,**
D7/358; 99/445; 220/912, 23.4

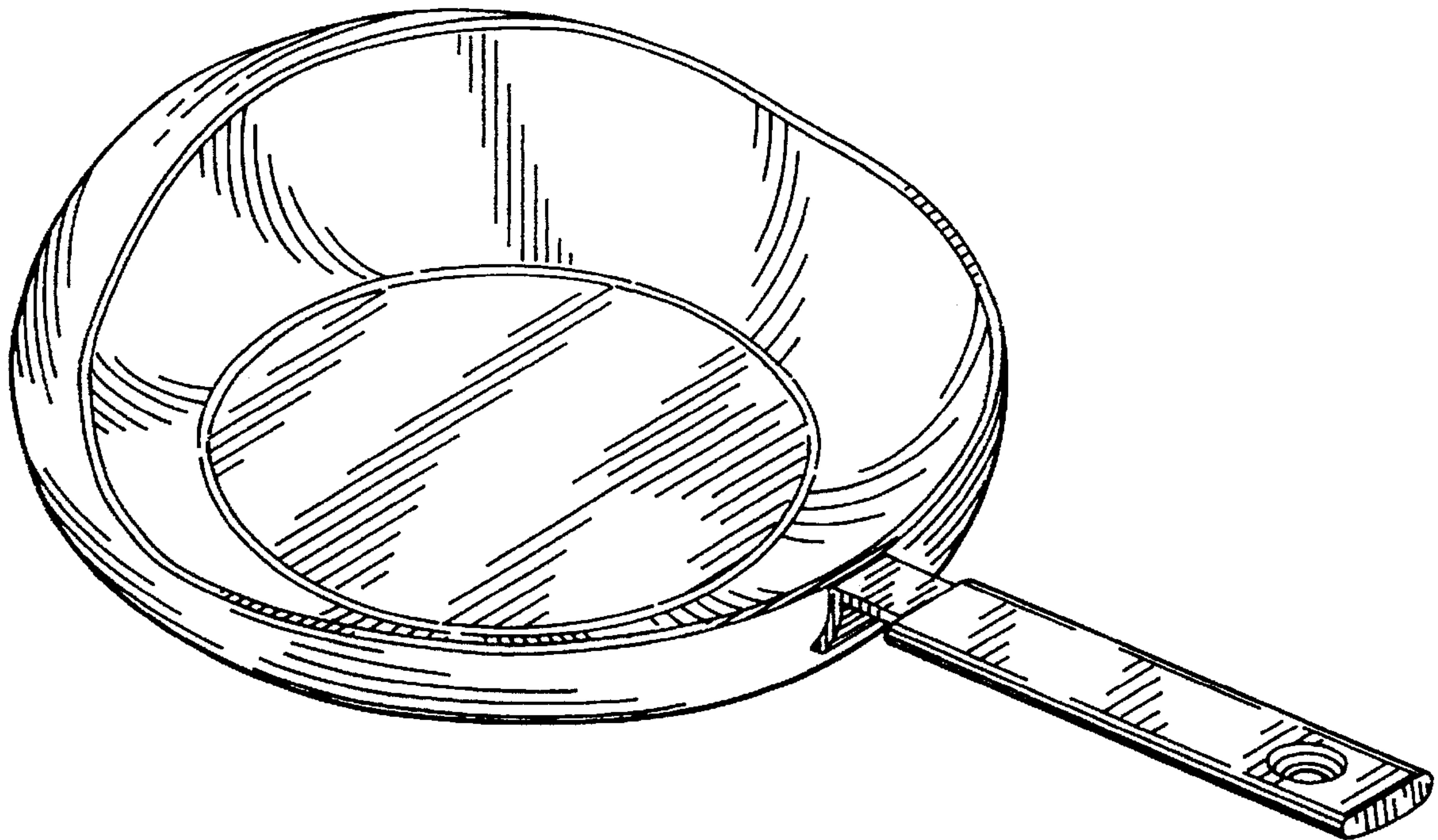
FIG. 1 is a perspective view showing the top, right side and rear of a frying pan which forms my invention;
FIG. 2 is a top plan view thereof;
FIG. 3 is a right side elevational view thereof;
FIG. 4 is a front elevational view thereof;
FIG. 5 is a bottom plan view thereof;
FIG. 6 is a left side elevational view thereof; and,
FIG. 7 is a rear elevational view thereof.

[56] **References Cited**

U.S. PATENT DOCUMENTS

D. 226,816 5/1973 Press D7/361
D. 324,624 3/1992 Gerlach D7/361
1,398,655 1/1921 Smith D7/361 X

1 Claim, 3 Drawing Sheets



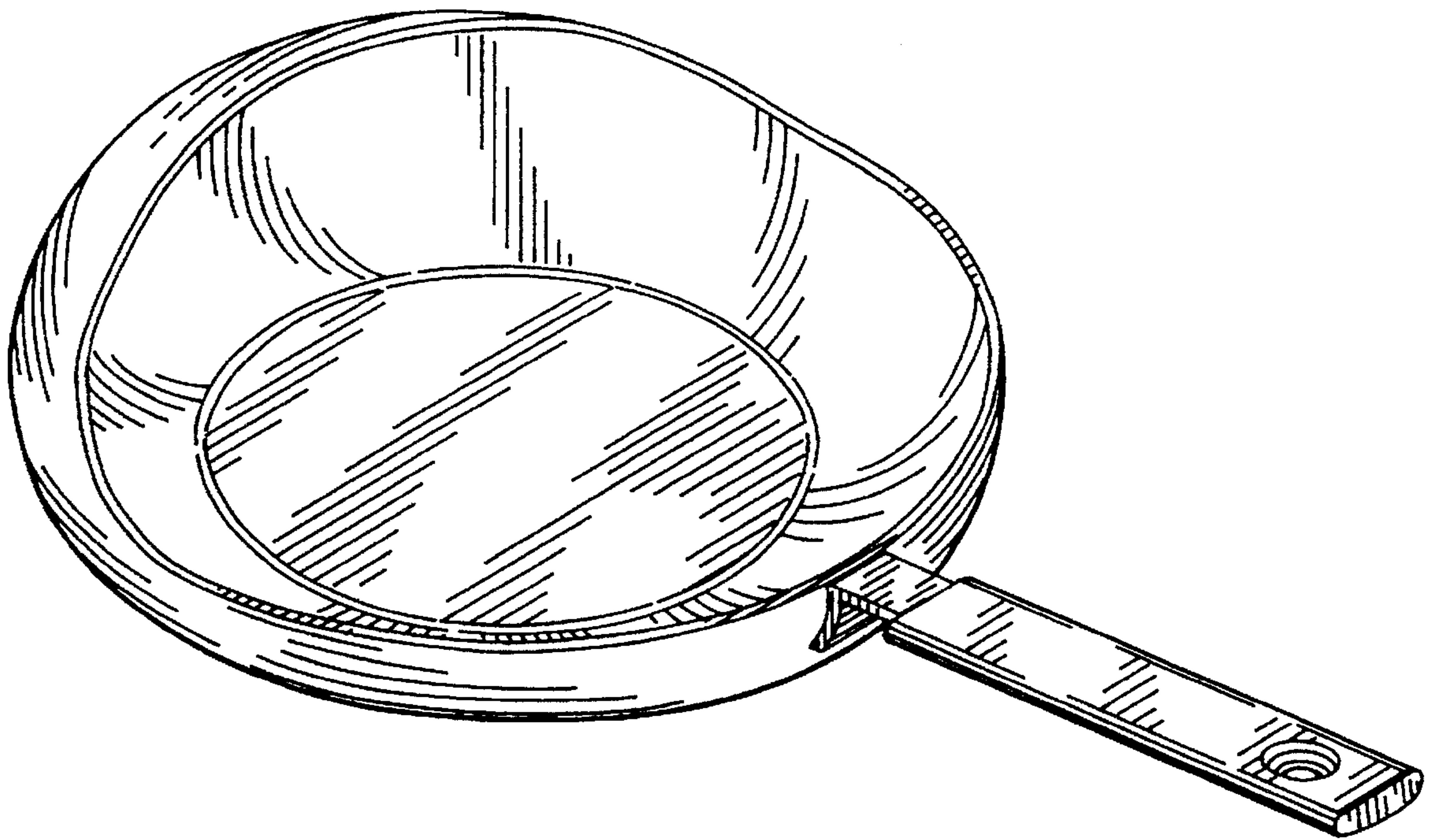


FIG. 1

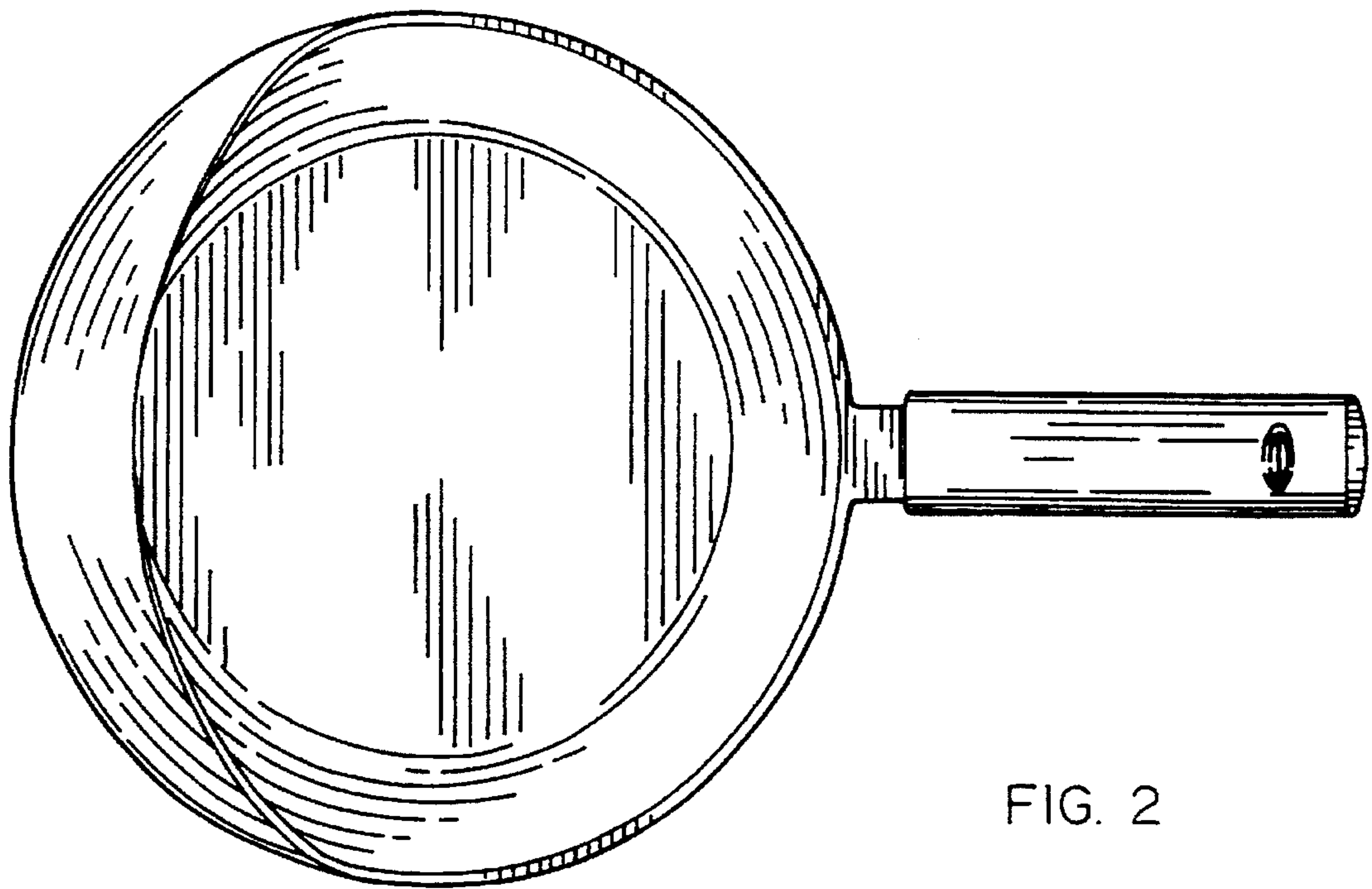


FIG. 2

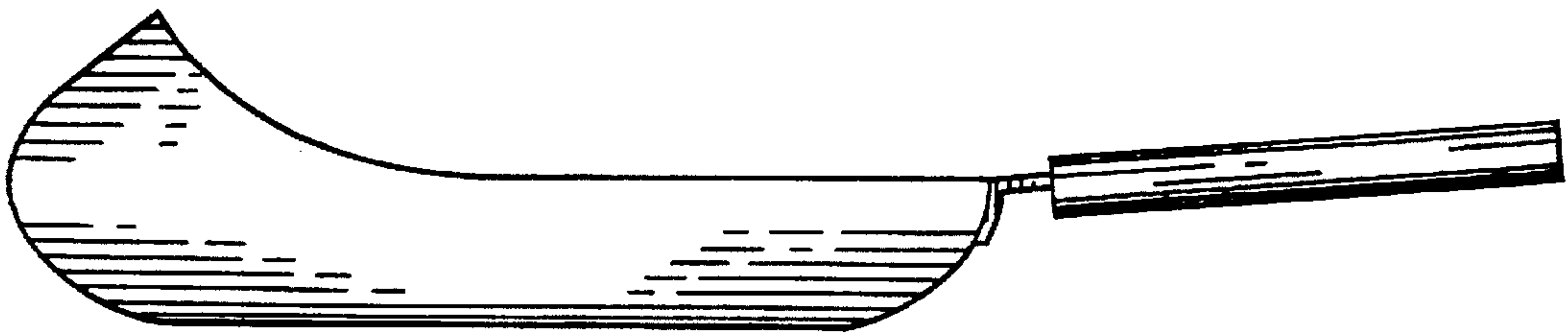


FIG. 3



FIG. 4

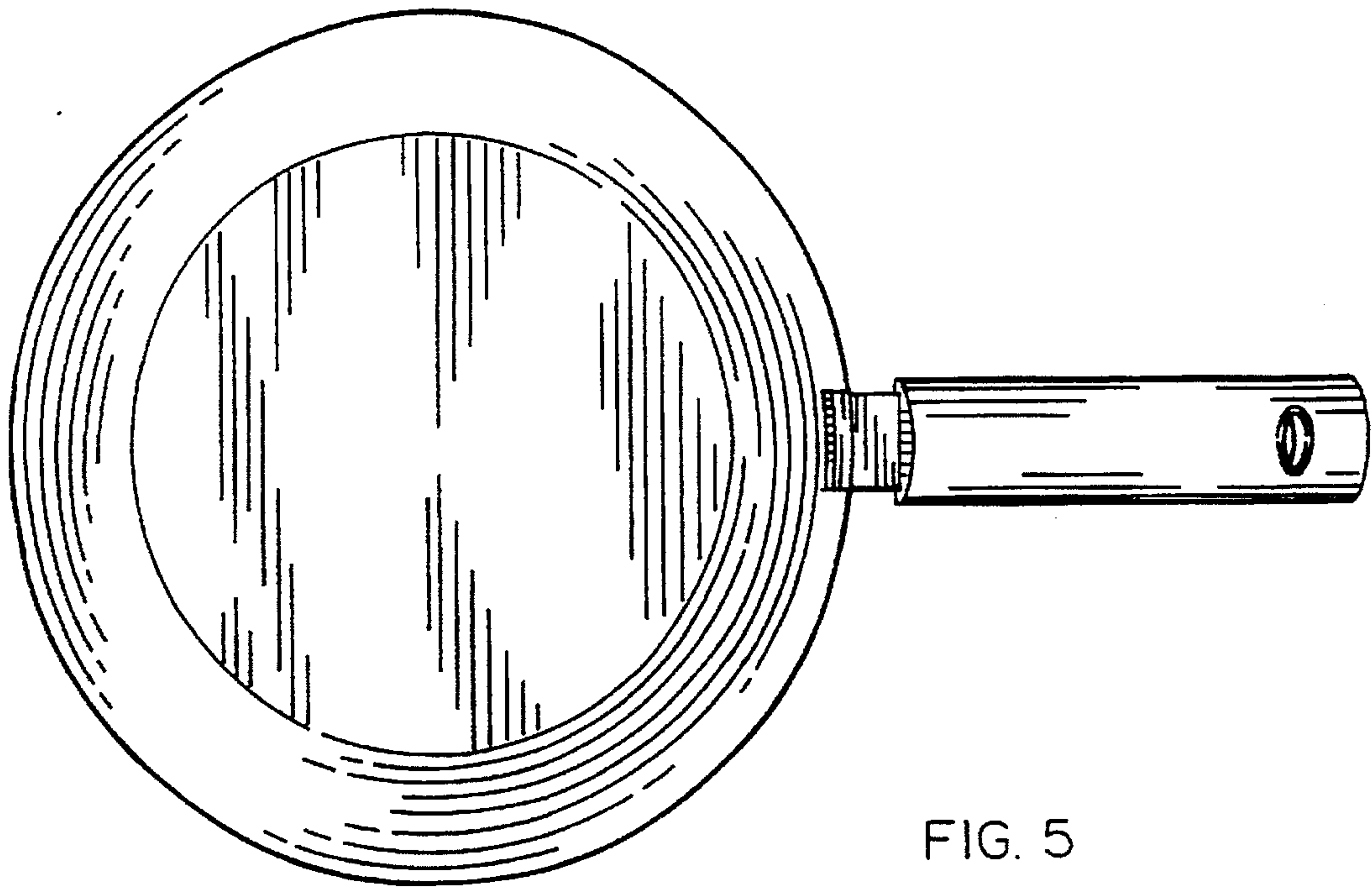


FIG. 5

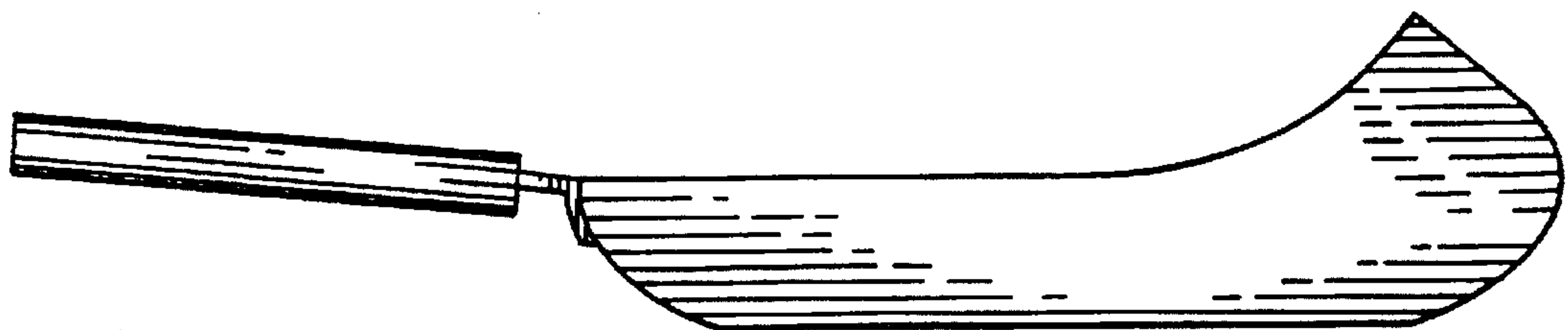


FIG. 6

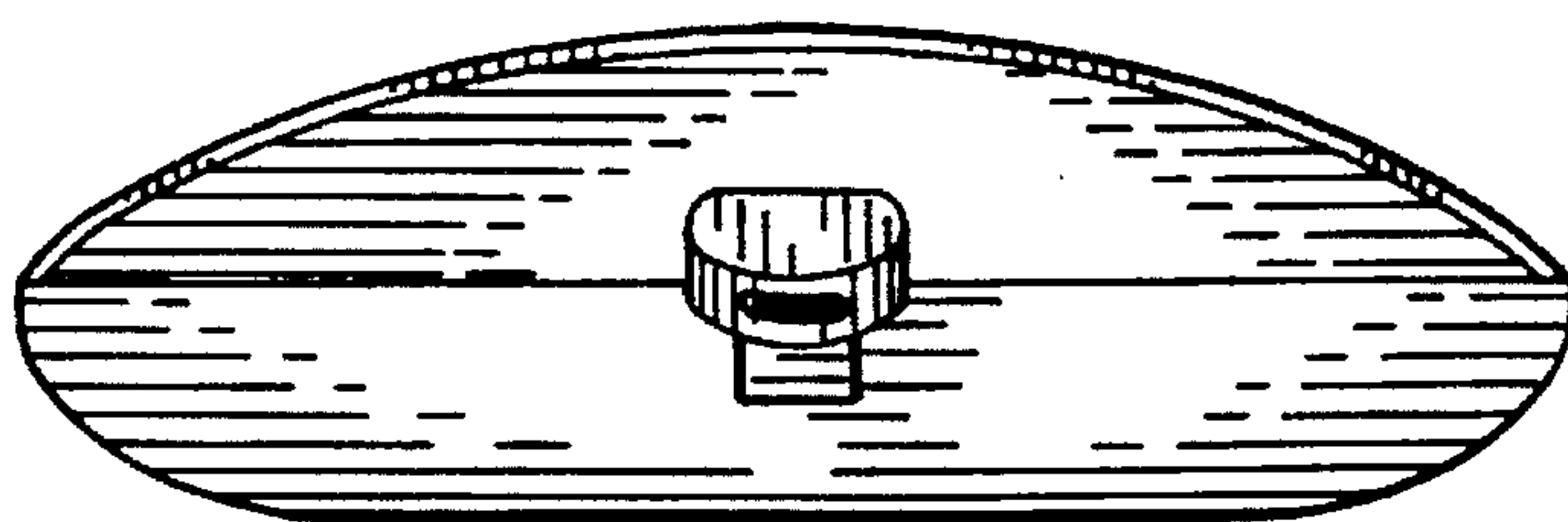


FIG. 7