



US00D380933S

# United States Patent [19]

Schlosser et al.

[11] Patent Number: **Des. 380,933**

[45] Date of Patent: **\*\*Jul. 15, 1997**

[54] **BARBECUE GRILL**

[75] Inventors: **Erich J. Schlosser**, Barrington; **J. Michael Alden**, Palatine; **Robert T. Stephen**, Barrington; **James C. Stephen**, Arlington Heights, all of Ill.

[73] Assignee: **Weber-Stephen Products Co.**, Palatine, Ill.

[\*\*] Term: **14 Years**

[21] Appl. No.: **49,066**

[22] Filed: **Jan. 16, 1996**

2,923,229 2/1960 Halford .  
2,946,275 7/1960 Compton .  
3,033,191 5/1962 Bonadiman .

(List continued on next page.)

### FOREIGN PATENT DOCUMENTS

46671 12/1964 Australia .  
86609/82 7/1982 Australia .  
94063 11/1986 Australia .  
34964/89 12/1989 Australia .  
2582086 11/1986 France .  
143701 11/1919 United Kingdom .  
967375 8/1964 United Kingdom .  
WO87/00410 1/1987 WIPO .

### OTHER PUBLICATIONS

*Big Boy Deluxe—World's Finest Barbeques Models #DL 300G and DL 85 G.*

*Sweet's Generac Building and Renovation Catalog —1994 Section 11400 "Food Service Equipment" Vulcan Company Model #VB225 p. 7.*

*Big Boy Deluxe —Adding Zest To Gracious Outdoor Living, Model Nos. DL. 300G and DL 85G.*

*Sweet's General Building and Renovation Catalog, 1994, Section 1140, "Food Service Equipment," Vulcan Company, Model VB22S, p. 7.*

*Primary Examiner—Louis S. Zarfes*

*Assistant Examiner—G. Andou*

*Attorney, Agent, or Firm—Wallenstein & Wagner, Ltd.*

### Related U.S. Application Data

[63] Continuation of Ser. No. 38,410, May 5, 1995.

[51] **LOC (6) Cl.** ..... **07-02**

[52] **U.S. Cl.** ..... **D7/334; D7/332; D7/347**

[58] **Field of Search** ..... **D7/334, 332, 339, D7/347, 360, 362; 126/25 R, 25 A, 25 AA, 29, 30, 9 R; 99/367, 324**

### References Cited

#### U.S. PATENT DOCUMENTS

- D. 145,897 11/1946 Hathaway ..... 126/25 R
- D. 183,621 9/1958 Levin ..... 126/25 R
- D. 293,067 12/1987 Stephen et al. .
- D. 316,355 4/1991 Stephen et al. .
- D. 362,153 9/1995 Home ..... D7/334
- 1,133,850 3/1915 Garraux .
- 1,224,157 5/1917 Fry .
- 1,954,476 4/1934 Gloekler .
- 1,964,805 7/1934 Barnes .
- 2,097,793 11/1937 Howell .
- 2,173,166 9/1939 Hoelscher .
- 2,304,140 12/1942 Bergholm .
- 2,484,239 10/1949 Moon et al. .
- 2,541,528 2/1951 McAvoy .
- 2,600,234 6/1952 Foley ..... 126/25 A
- 2,780,474 2/1957 Farah et al. .
- 2,817,331 12/1957 Kaplan et al. .... 126/25 A
- 2,842,044 7/1958 Kirk .
- 2,888,544 5/1959 Kesling .
- 2,907,316 10/1959 Windust .

### [57] CLAIM

The ornamental design for a barbecue grill, as shown and described.

### DESCRIPTION

FIG. 1 is a perspective view of a barbecue grill showing our new design;

FIG. 2 is a front elevation view thereof;

FIG. 3 is a left side elevation view thereof;

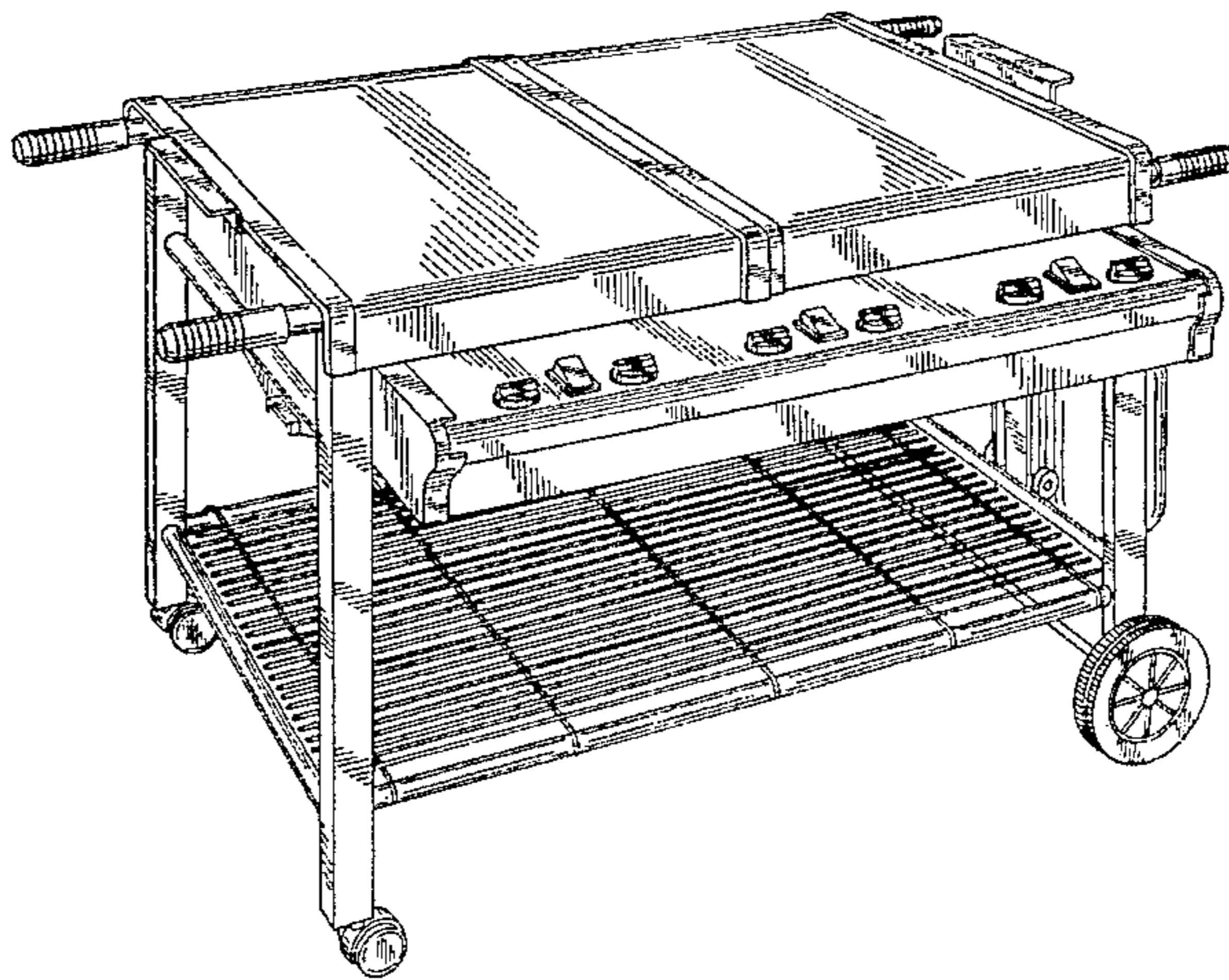
FIG. 4 is a right side elevation view thereof;

FIG. 5 is a top plan view thereof;

FIG. 6 is a rear elevation view thereof; and,

FIG. 7 is a bottom plan view thereof.

**1 Claim, 6 Drawing Sheets**



## U.S. PATENT DOCUMENTS

3,081,692	3/1963	Sorensen .	4,627,410	12/1986	Jung .
3,124,057	3/1964	Kiser .	4,677,964	7/1987	Lohmeyer et al. .
3,172,402	3/1965	Valiela .	4,683,867	8/1987	Beatty .
3,353,527	11/1967	Anderson .	4,686,958	8/1987	Skelton et al. .
3,369,481	2/1968	Pappas .	4,696,282	9/1987	Incitti .
3,391,682	7/1968	King et al. .... 126/25 R	4,727,853	3/1988	Stephen et al. .
3,418,921	12/1968	Fautz .	4,757,755	7/1988	Sarten .
3,443,510	5/1969	Norton .	4,809,671	3/1989	Vallejo, Jr. .
3,552,301	1/1971	McNeff .	4,829,975	5/1989	Hait .
3,586,518	6/1971	Folmar .	4,886,045	12/1989	Ducate, Jr. et al. .
3,683,791	8/1972	Rast, Jr. .... 126/25 R	4,896,650	1/1990	Hait .
3,989,028	11/1976	Berger .	5,070,776	12/1991	Schlosser et al. .
4,089,258	5/1978	Berger .	5,076,252	12/1991	Schlosser et al. .
4,126,087	11/1978	McLamb .	5,154,158	10/1992	Lindsey .
4,233,890	11/1980	Jansen .	5,293,859	3/1994	Lisker .
4,245,505	1/1981	Baynes .	5,313,928	5/1994	Rodgers et al. .
4,350,140	9/1982	Hamilton, Jr. .	5,341,793	8/1994	Brown .
4,362,093	12/1982	Griscom .	5,345,923	9/1994	Luebke et al. .
4,382,432	5/1983	Liadas .	5,408,985	4/1995	Giebel et al. .... 126/9 R
4,390,002	6/1983	Daily, III .	5,452,707	9/1995	Harris et al. .... 126/25 R
4,593,676	6/1986	Wackerman .	5,505,190	4/1996	Kalenian .... 126/25 R



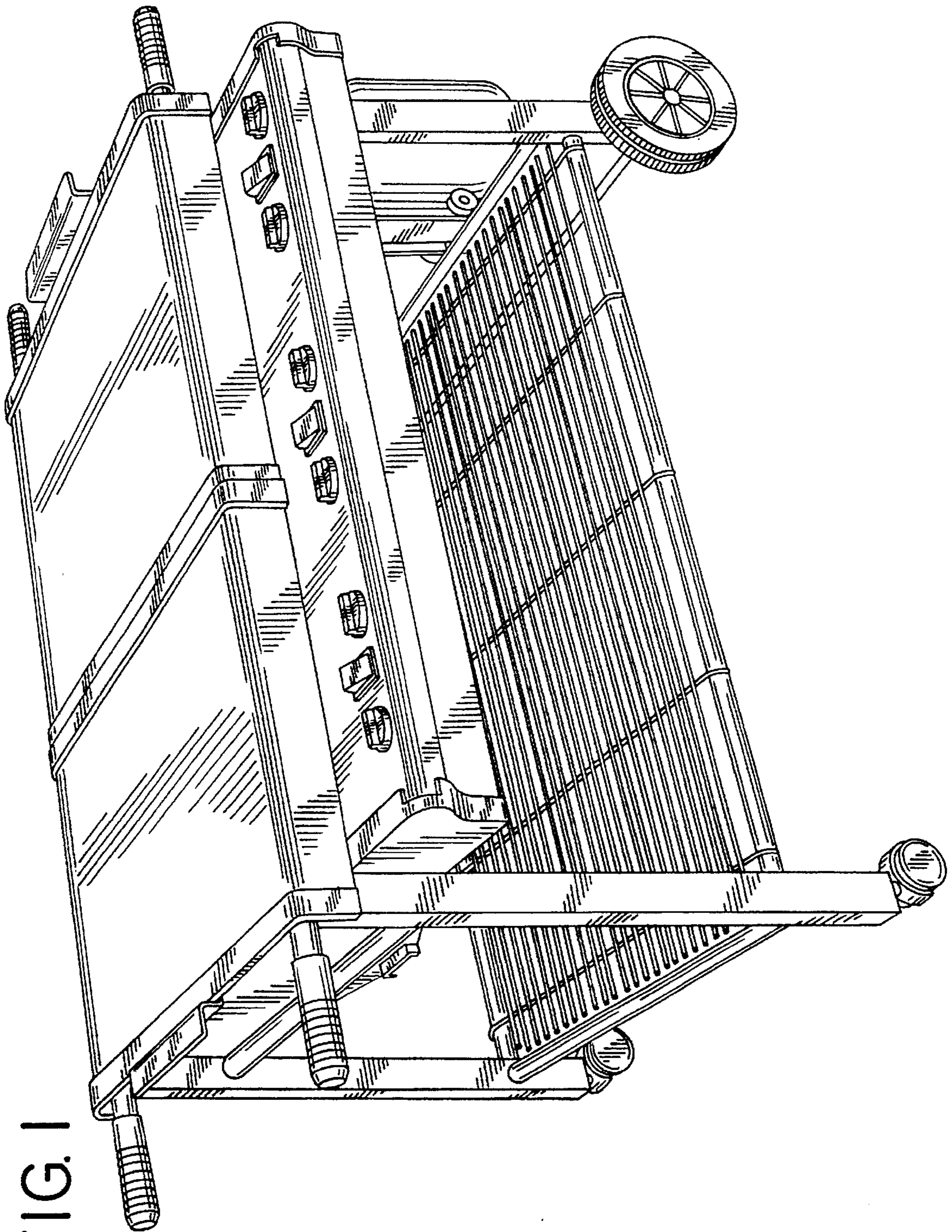


FIG. 1

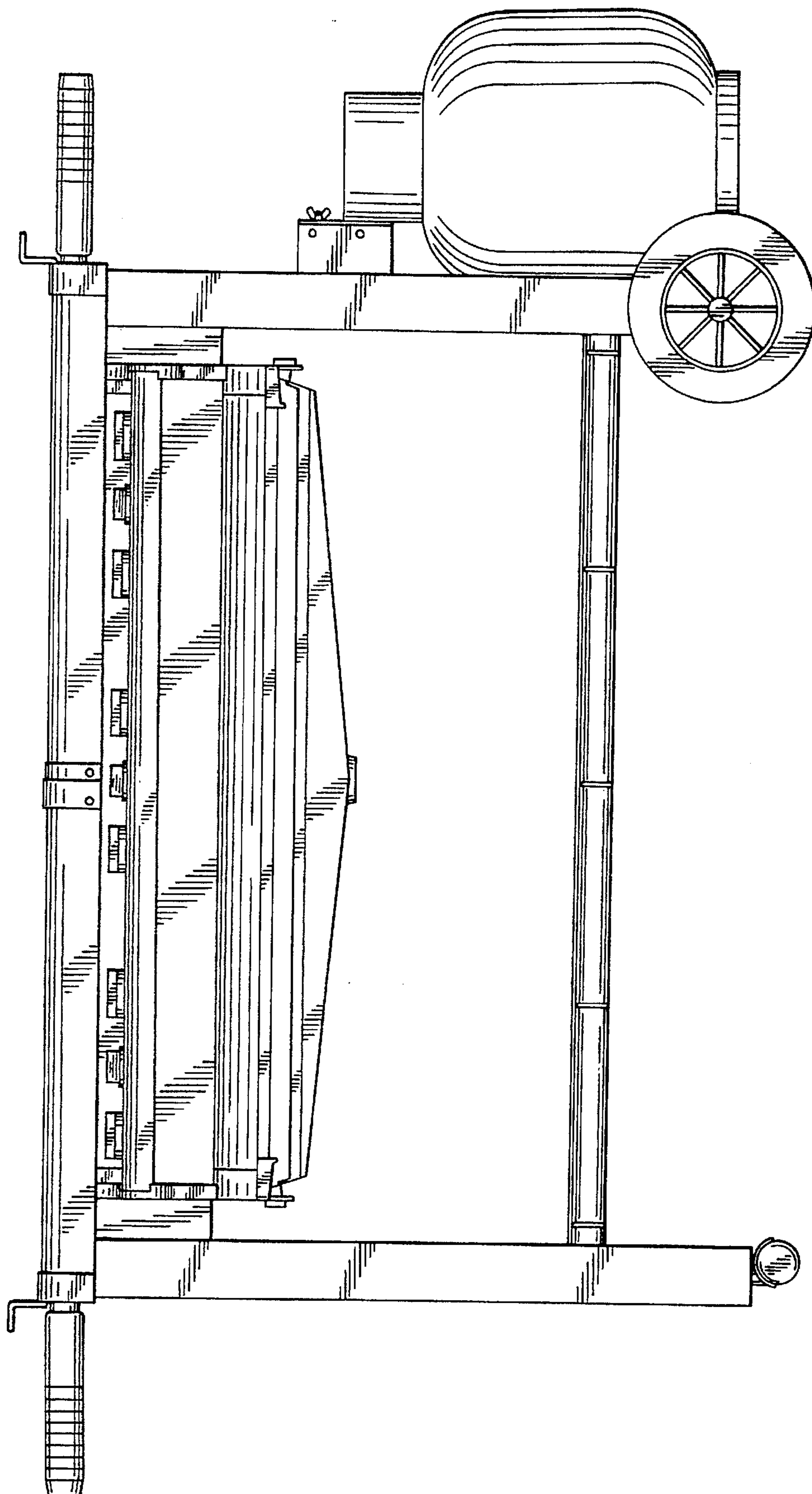


FIG. 2

FIG.4

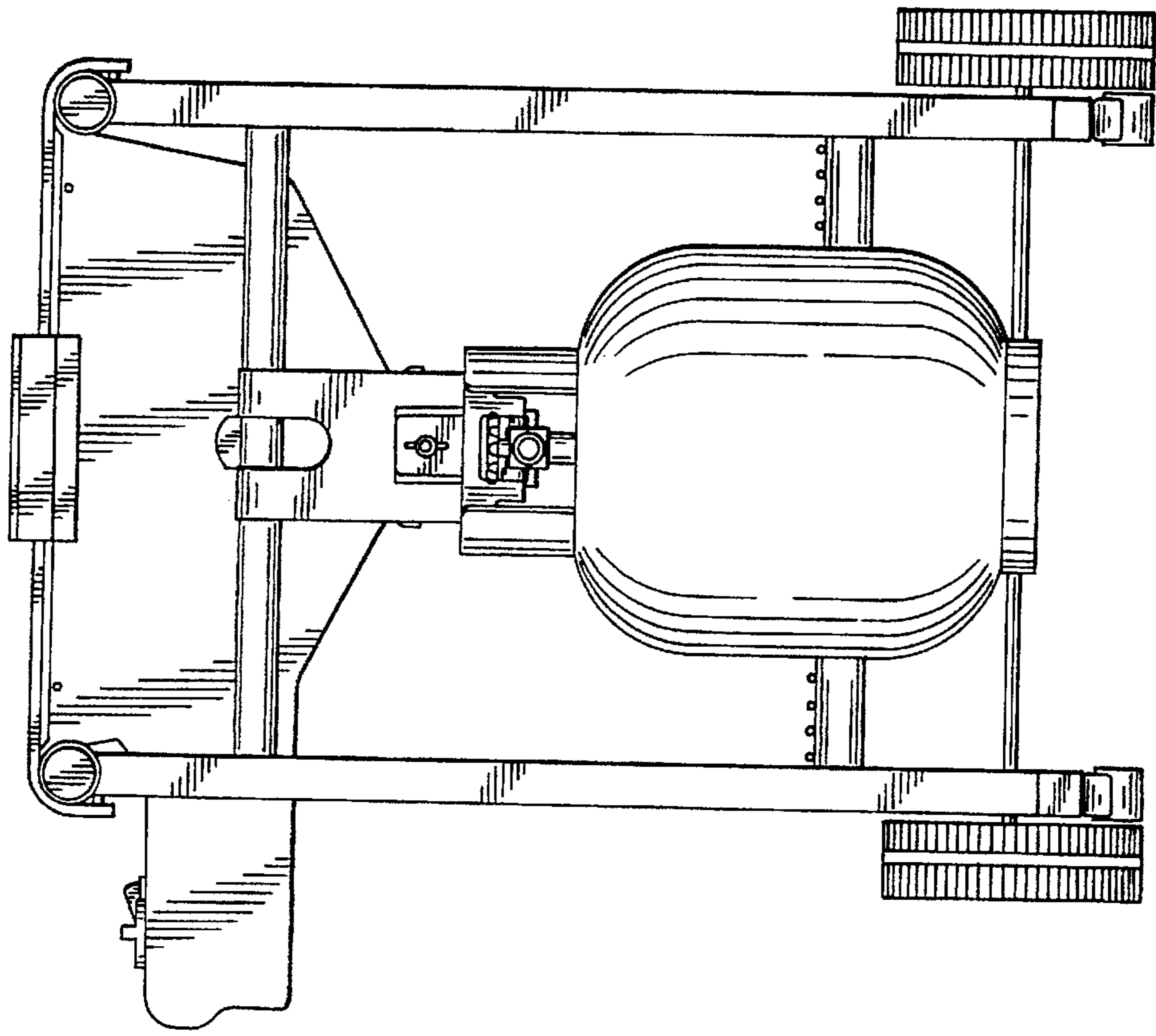
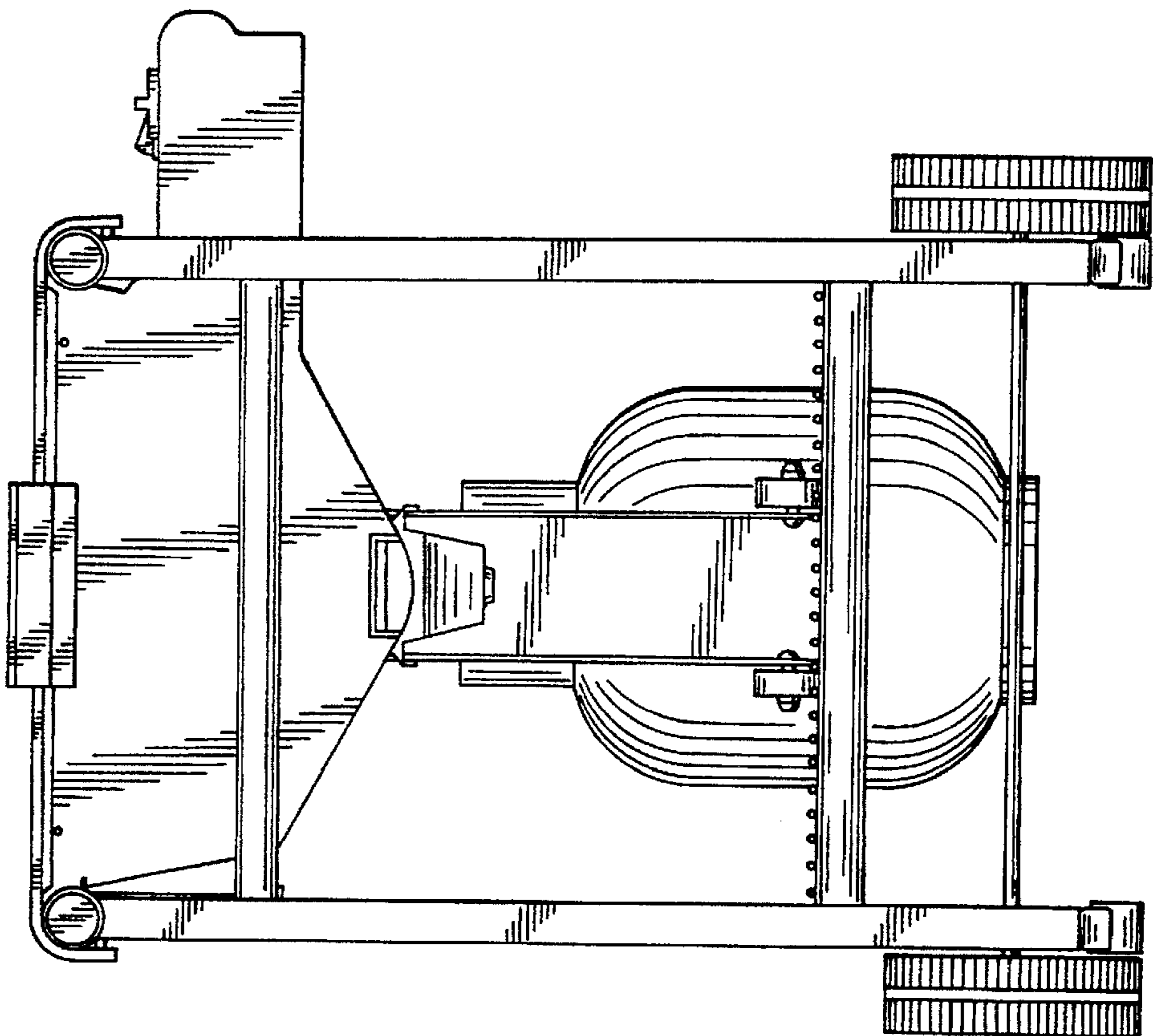


FIG.3





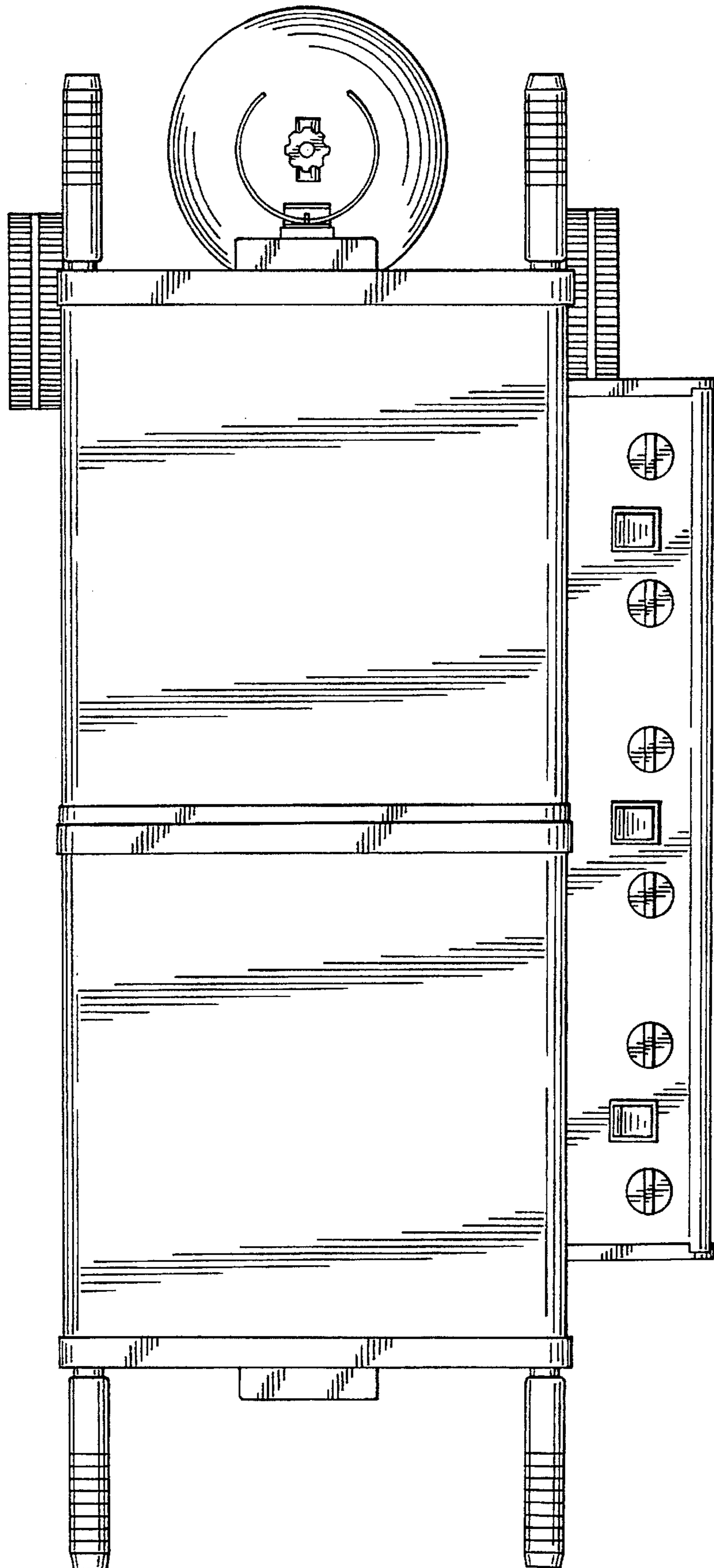


FIG. 5

FIG. 6

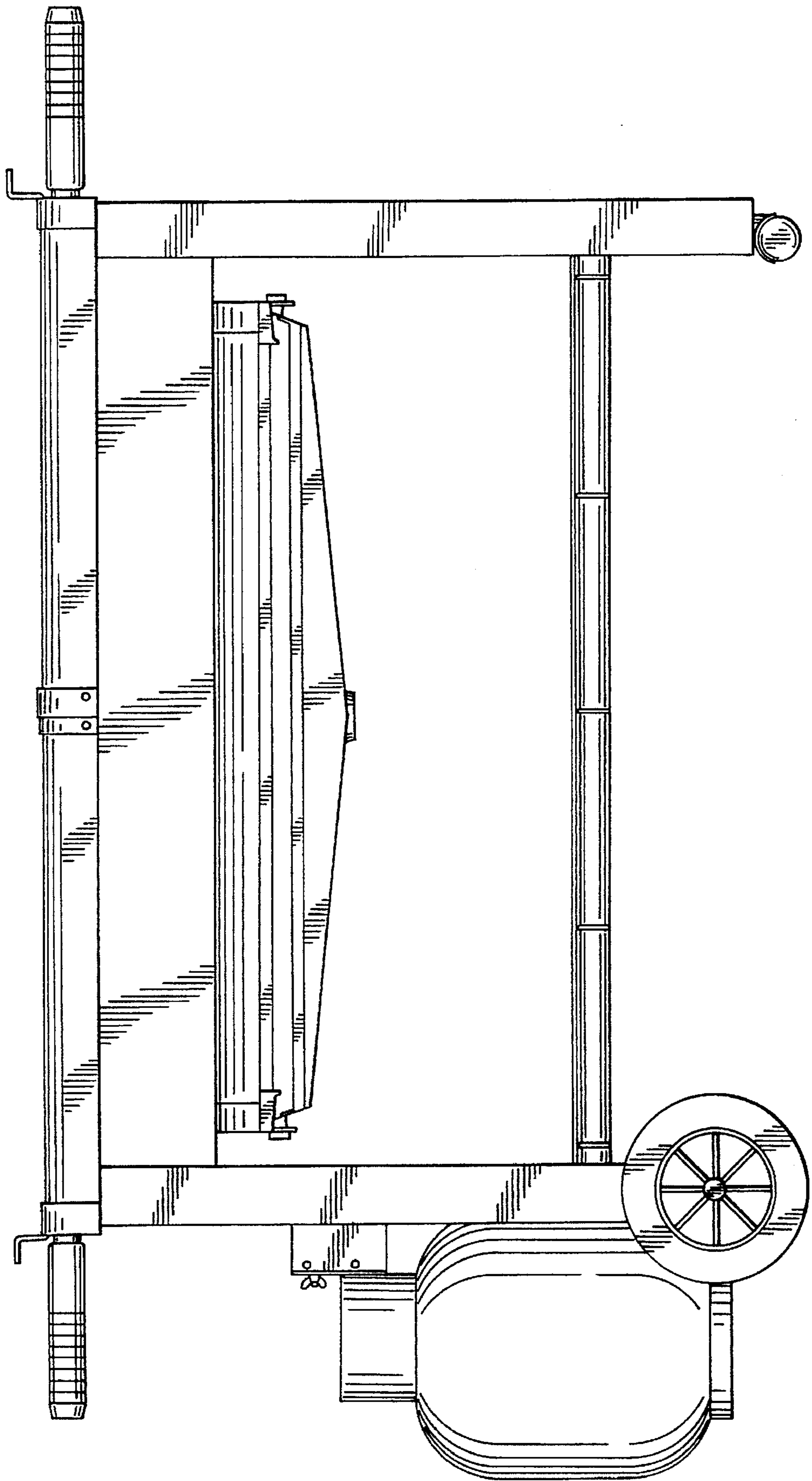


FIG. 7

