



US00D380932S

United States Patent [19]
Duray

[11] **Patent Number: Des. 380,932**

[45] **Date of Patent: **Jul. 15, 1997**

[54] **HEAVY-DUTY COMBINATION SMOKER/
GRILL**

2,666,426 1/1954 Pollard D7/334

[76] Inventor: **William P. Duray**, 671 Meadow Lane
Dr., Richmond Heights, Ohio 44143

Primary Examiner—Ruth McInroy

[**] Term: **14 Years**

[57] **CLAIM**

The ornamental design for a heavy-duty combination smoker/grill, as shown and described.

[21] Appl. No.: **44,241**

DESCRIPTION

[22] Filed: **Sep. 21, 1995**

FIG. 1 is a front elevational view of a heavy-duty combination smoker/grill showing my new design;

[51] **LOC (6) Cl. 07-02**

FIG. 2 is a rear elevational view thereof;

[52] **U.S. Cl. D7/334**

FIG. 3 is a right side elevational view thereof;

[58] **Field of Search D7/332-337, 348,**

FIG. 4 is a left side elevational view thereof;

D7/350, 338; 126/25 R, 25 A, 25 AA, 26,

FIG. 5 is a top plan view thereof;

275 R, 275 E, 19 M; 99/419, 421 R, 467,

FIG. 6 is a bottom plan view thereof;

482, 2, 356, 341, 200; D23/332, 336; D32/33

FIG. 7 is a sectional view taken vertically through the mid-plane of the device at line 8—8 of FIG. 5; and,

[56] **References Cited**

FIG. 8 is a sectional view taken vertically through the mid-plane of the device at line 7—7 of FIG. 5.

U.S. PATENT DOCUMENTS

The cord in broken lines in FIG. 4 is shown for illustrative purposes only and forms no part of the claimed design.

- D. 144,431 4/1946 Talley D7/332
- D. 165,998 2/1952 Pollard D7/334
- D. 196,553 10/1963 Mayer D7/334
- D. 352,864 11/1994 Parker D7/334

1 Claim, 4 Drawing Sheets

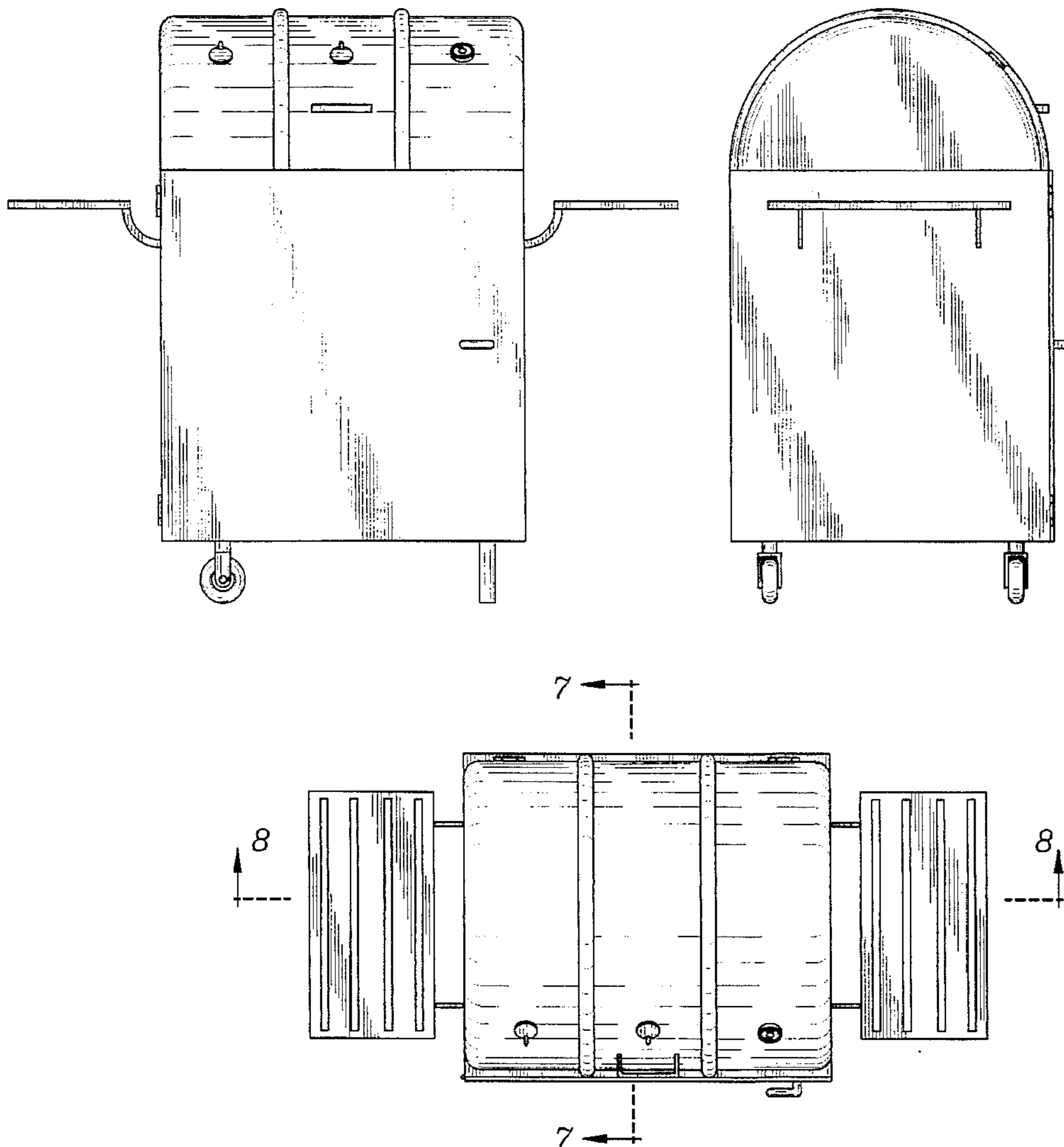


FIG. 1

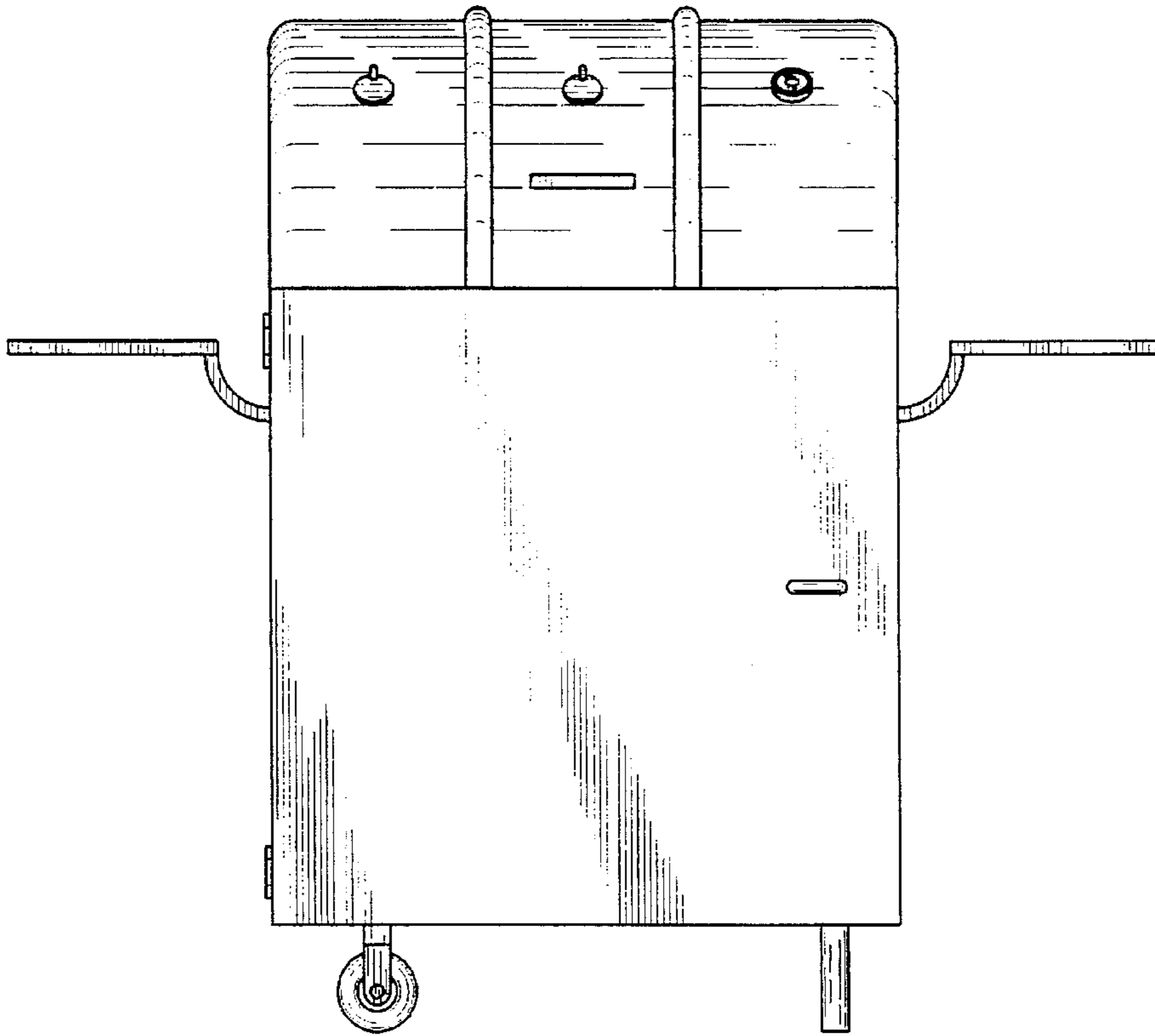


FIG. 2

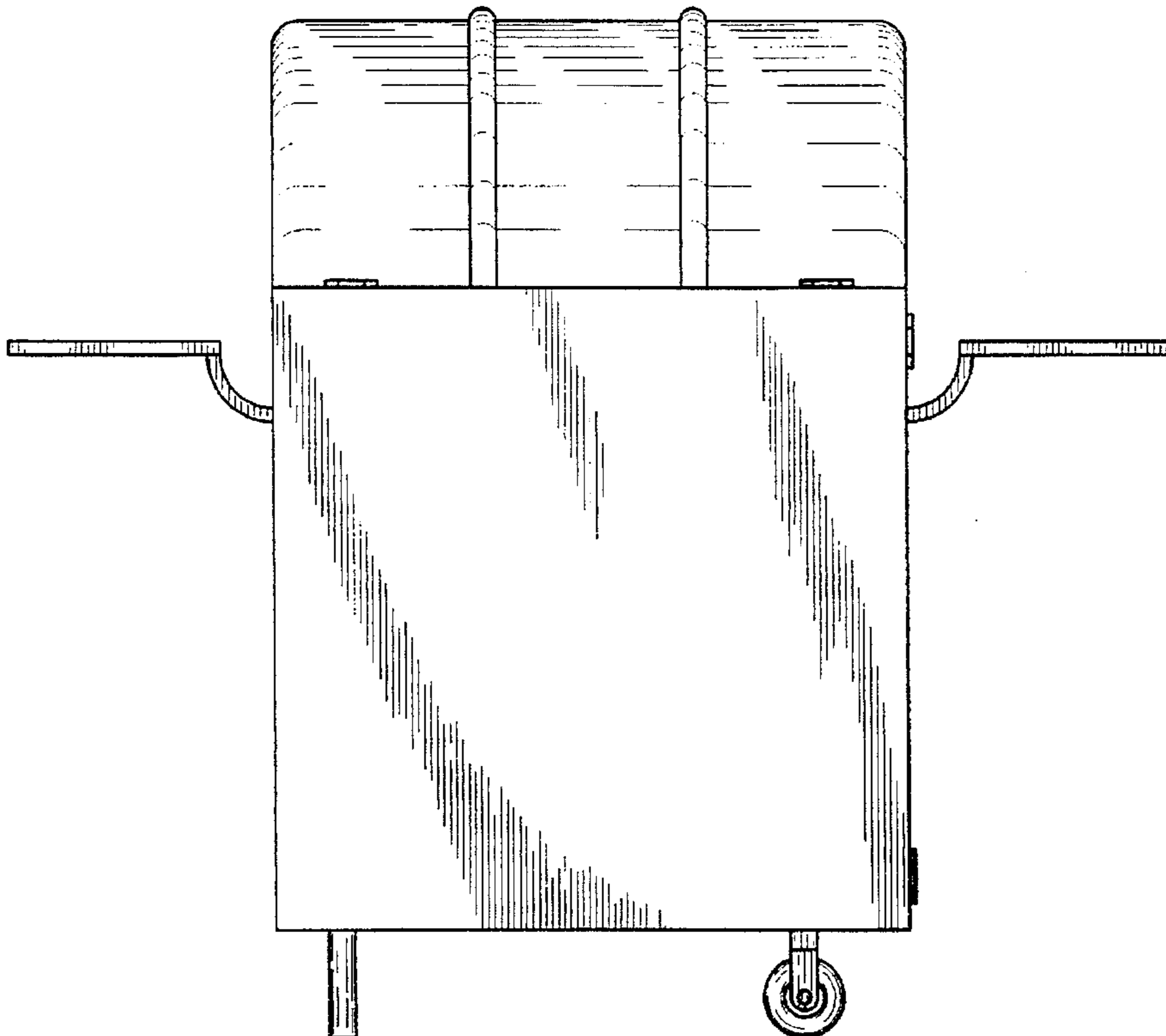


FIG. 3

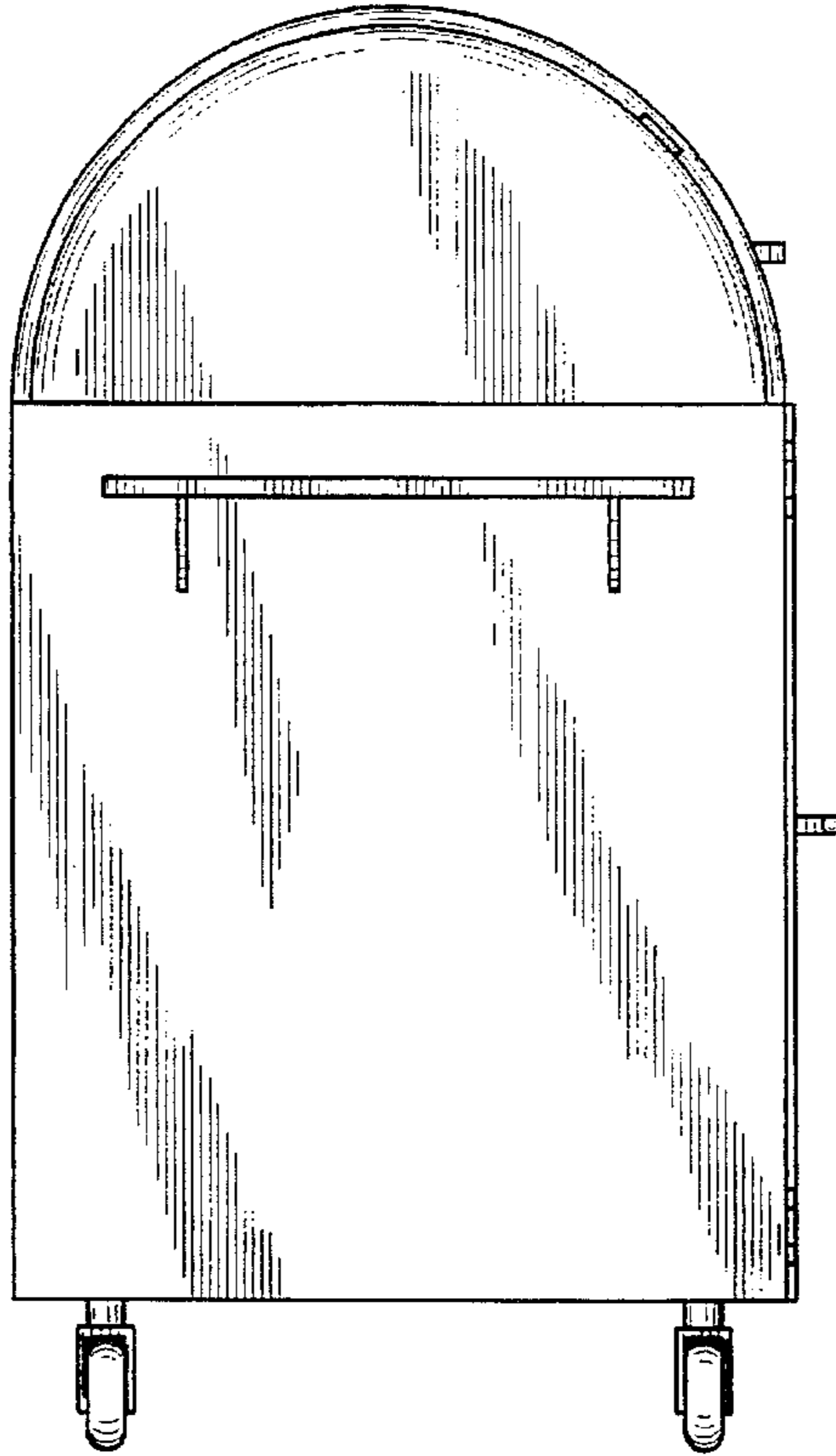


FIG. 4

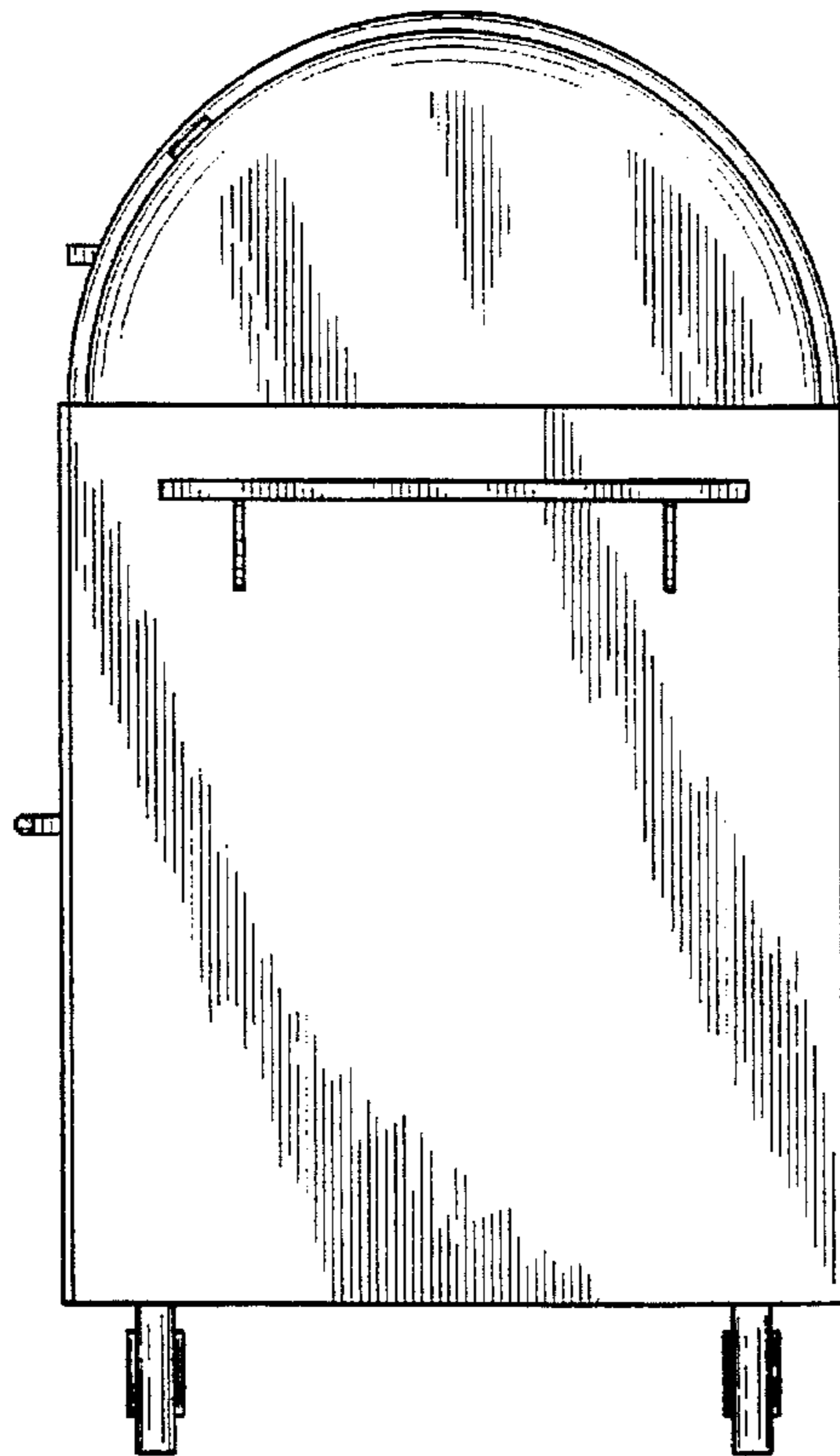


FIG. 5

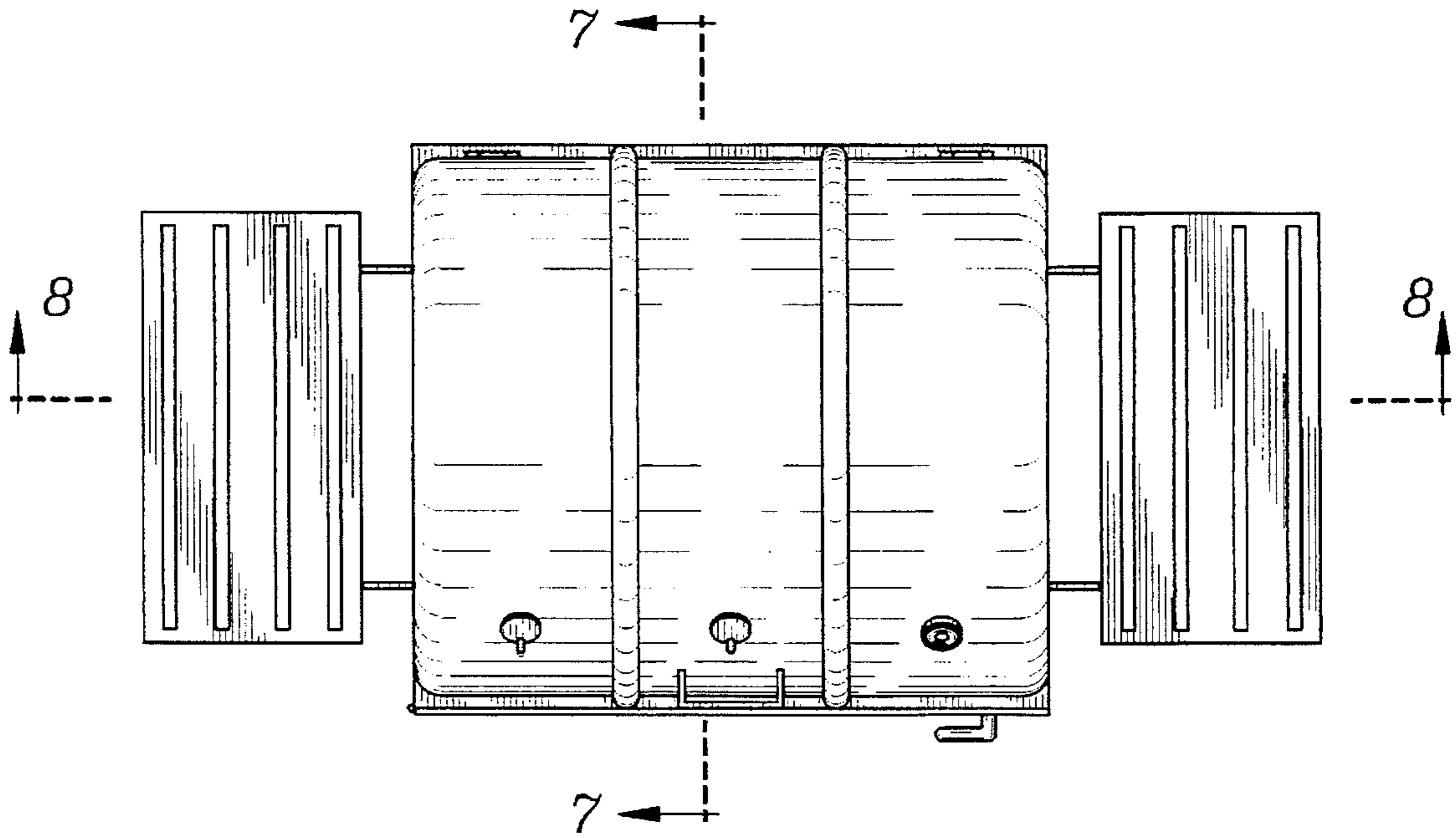


FIG. 6

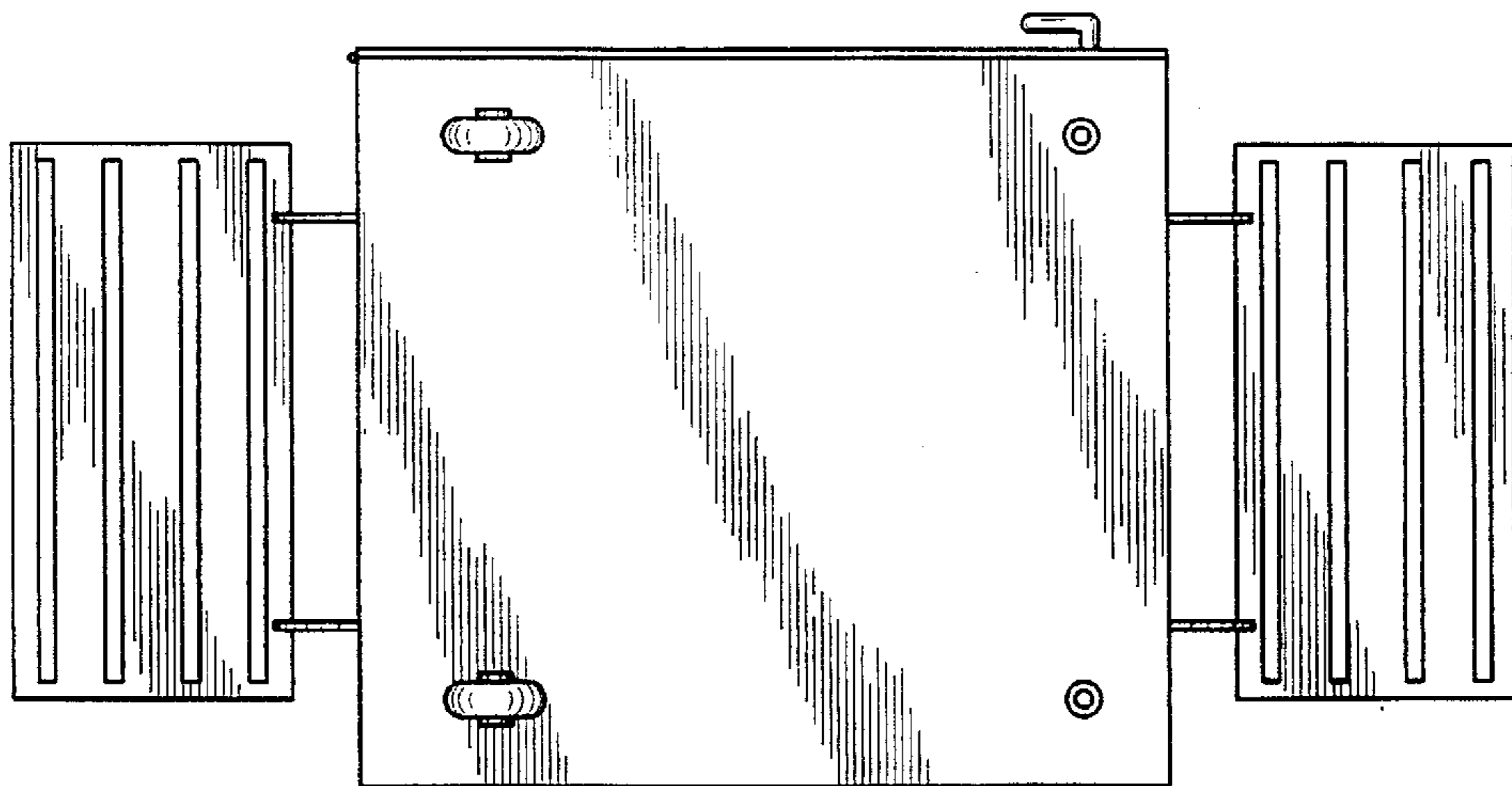


FIG. 7

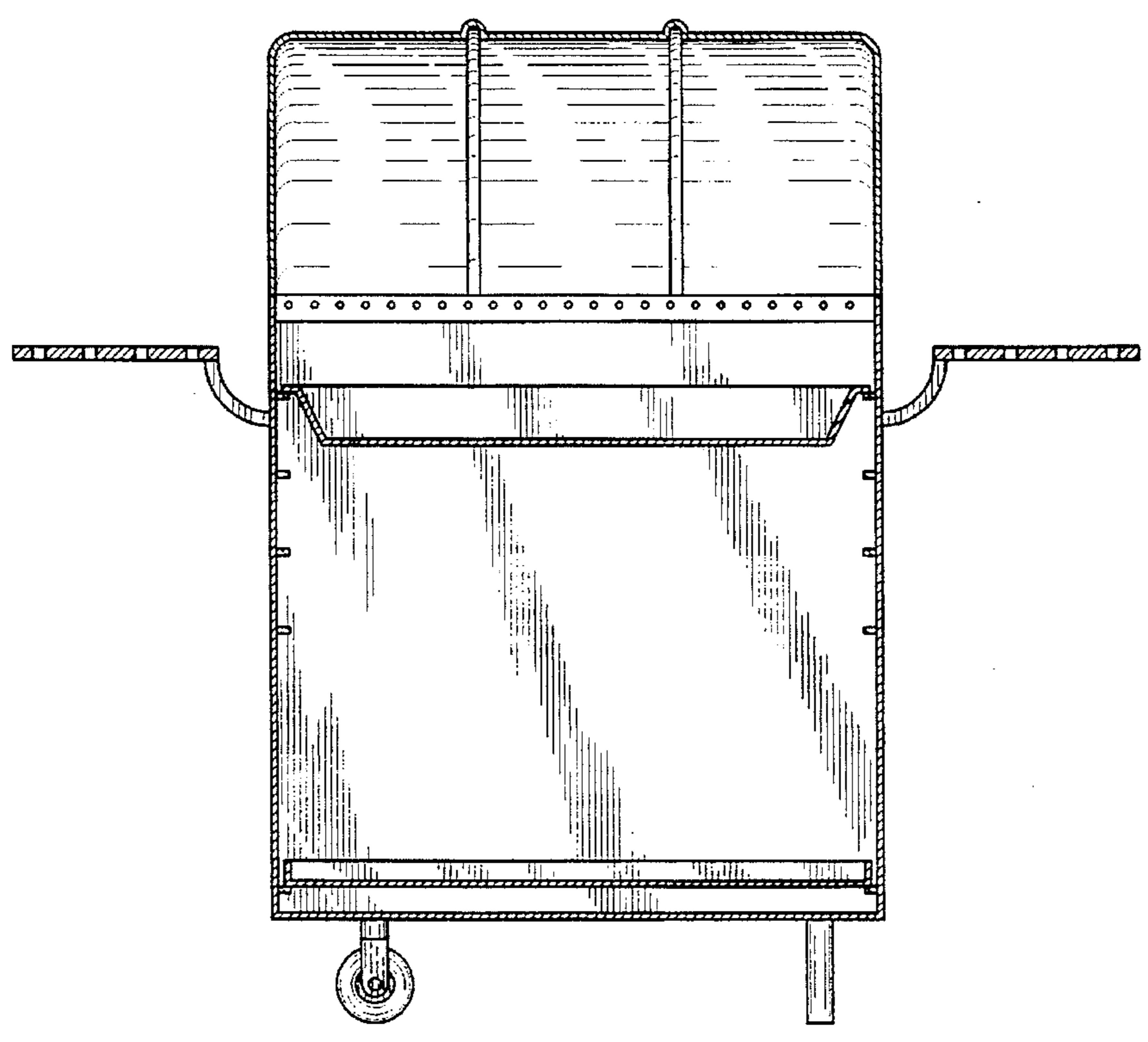


FIG. 8

