



US00D380930S

United States Patent [19] Wheeler

[11] Patent Number: **Des. 380,930**

[45] Date of Patent: ****Jul. 15, 1997**

[54] **ELECTRIC KETTLE**

[75] Inventor: **David K. Wheeler**, Gananoque, Canada

[73] Assignee: **Black & Decker Inc.**, Newark, Del.

[**] Term: **14 Years**

[21] Appl. No.: **55,635**

[22] Filed: **Jun. 10, 1996**

[51] LOC (6) Cl. **07-01**

[52] U.S. Cl. **D7/322; D7/321; D7/312**

[58] Field of Search **D7/321, 322, 312, D7/300, 316, 317, 319, 320, 302, 598; 99/295; 272/472**

[56] **References Cited**

U.S. PATENT DOCUMENTS

D. 88,228	11/1932	Guild et al.	D7/321
D. 146,999	6/1947	Wemyss	D7/312
D. 276,120	10/1984	Solomon	D7/312
D. 322,734	12/1991	Solomon	D7/312 X
D. 336,013	6/1993	Lebowitz	D7/321 X
D. 373,499	9/1996	Piret	D7/312
2,083,632	6/1937	Beck	222/472
3,091,302	5/1963	Wolven	D7/312 X
3,218,435	11/1965	Mandziak	D7/312

OTHER PUBLICATIONS

Electric Kettle, HFD, Apr. 8, 1985 (Russill Hibbs) (center) p. 195.

Electric Kettle, Design 373 Jan., 1980 p. 15.

Electric Kettle Hong Kong Enterprise Apr. 982, p. 72.

Electric Kettle Design 440 Aug. 1985 p. 64.

Kettle (Top Right) Design 310 Oct. 1974 p. 25.

Kettle (Right), HFD Apr. 7, 1986 p. 124.

Primary Examiner—M. N. Pandozzi

Attorney, Agent, or Firm—Barry E. Deutsch

[57] **CLAIM**

The ornamental design for an electric kettle, as shown and described.

DESCRIPTION

FIG. 1 is a perspective left side, front and top view of an electric kettle showing my new design;

FIG. 2 is a left side elevational view thereof, the opposite side being a mirror image thereof;

FIG. 3 is a top plan view thereof;

FIG. 4 is a front elevational view thereof;

FIG. 5 is a rear elevational view thereof; and,

FIG. 6 is a bottom plan view thereof.

1 Claim, 4 Drawing Sheets

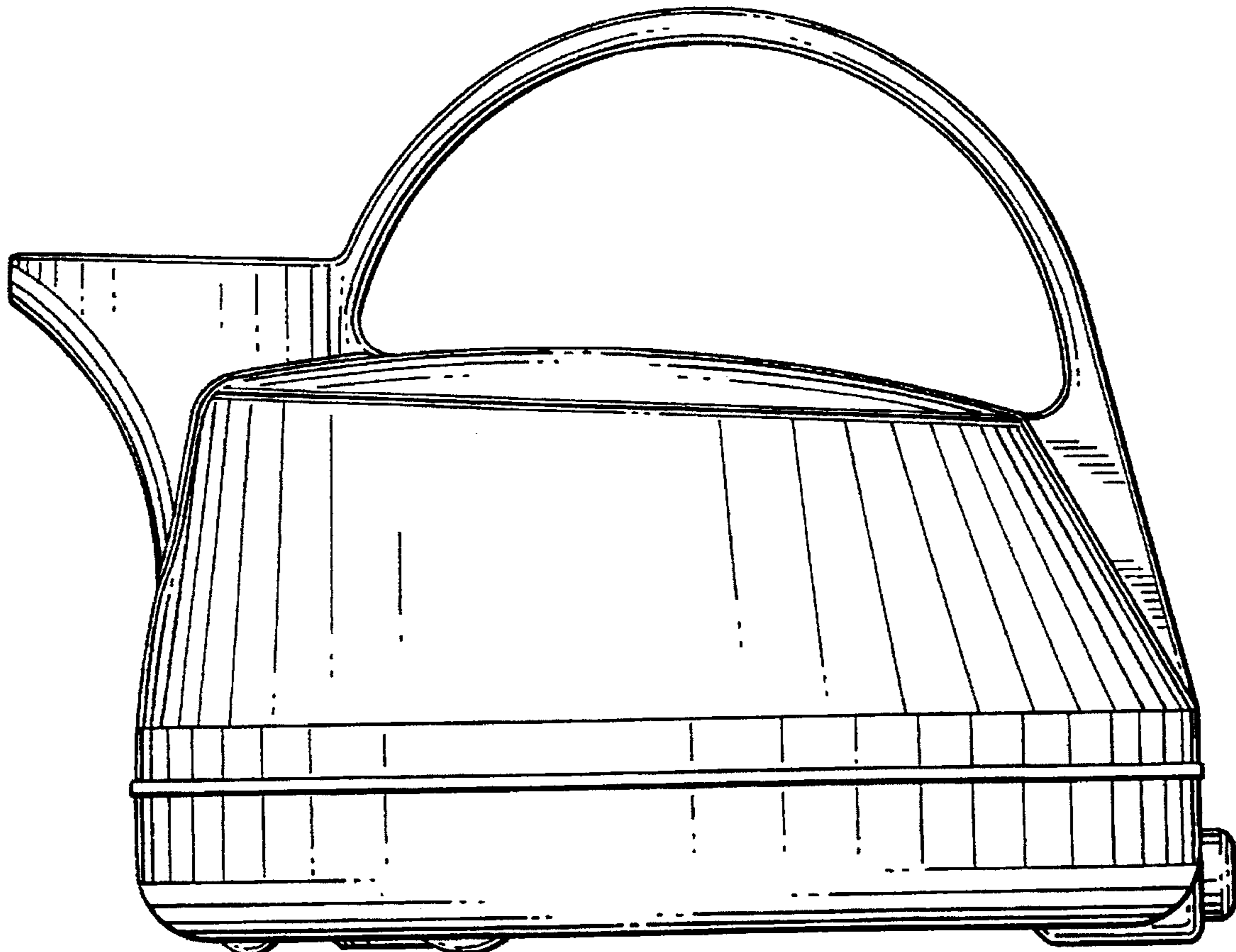
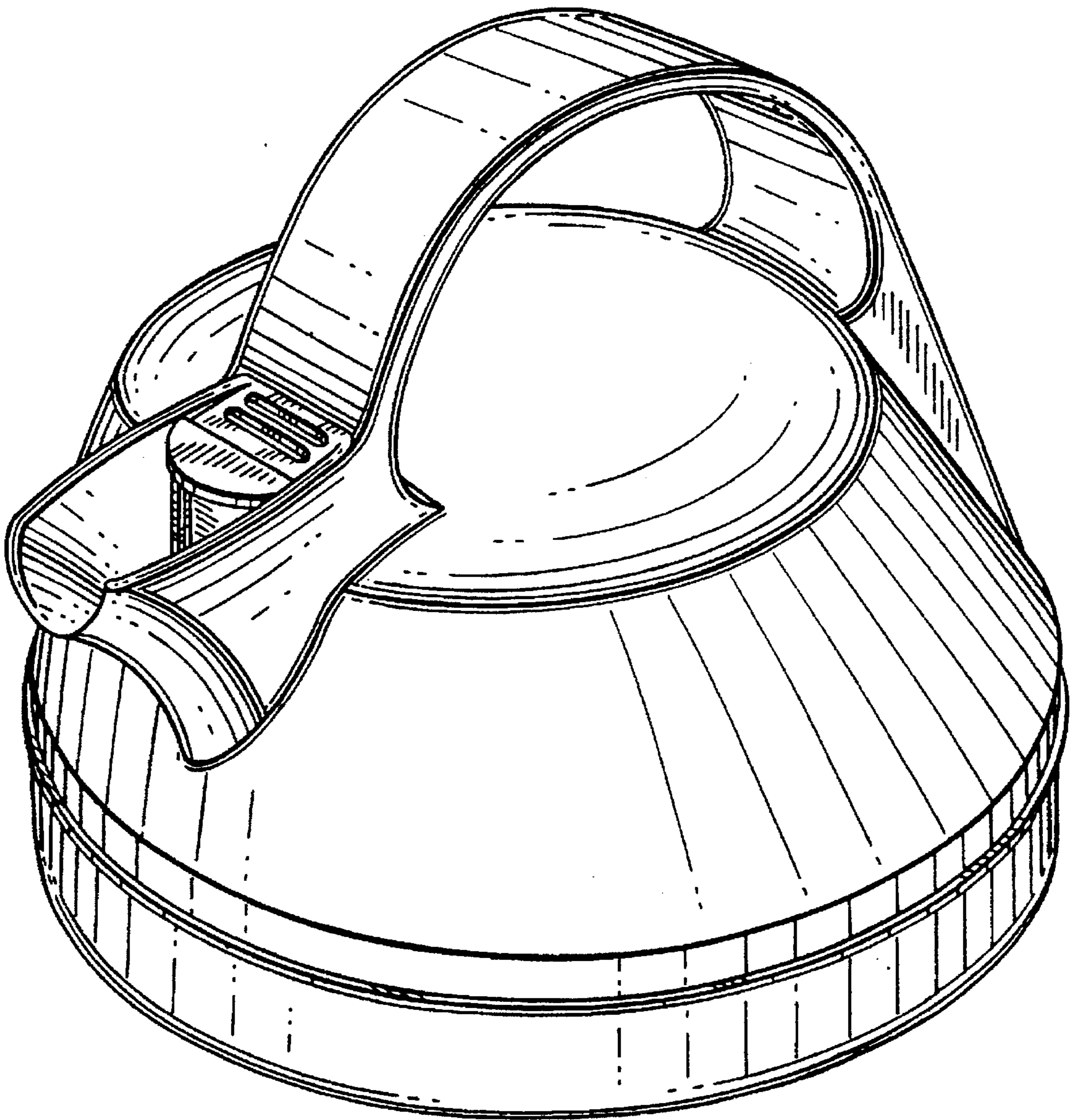


FIG. 1



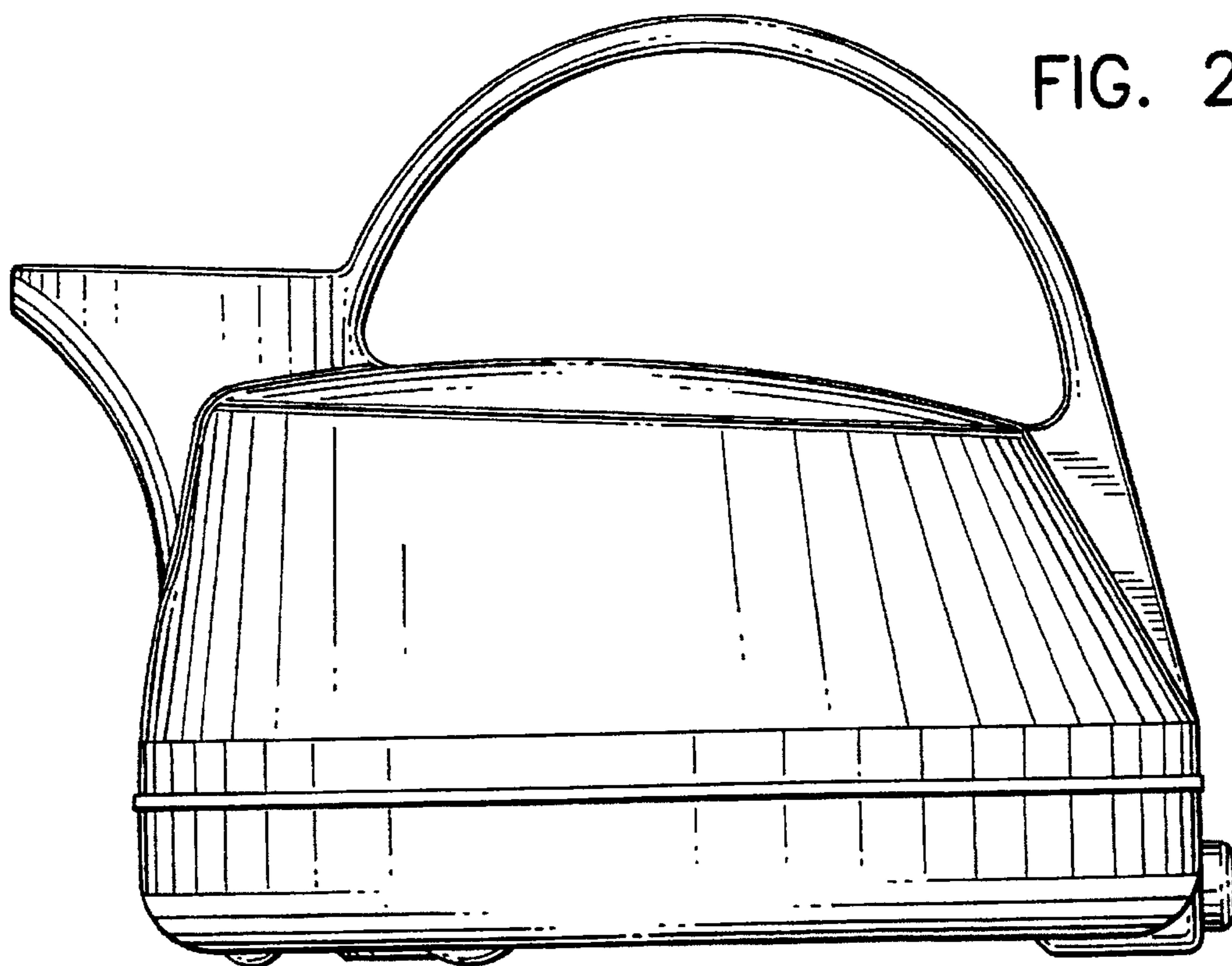


FIG. 2

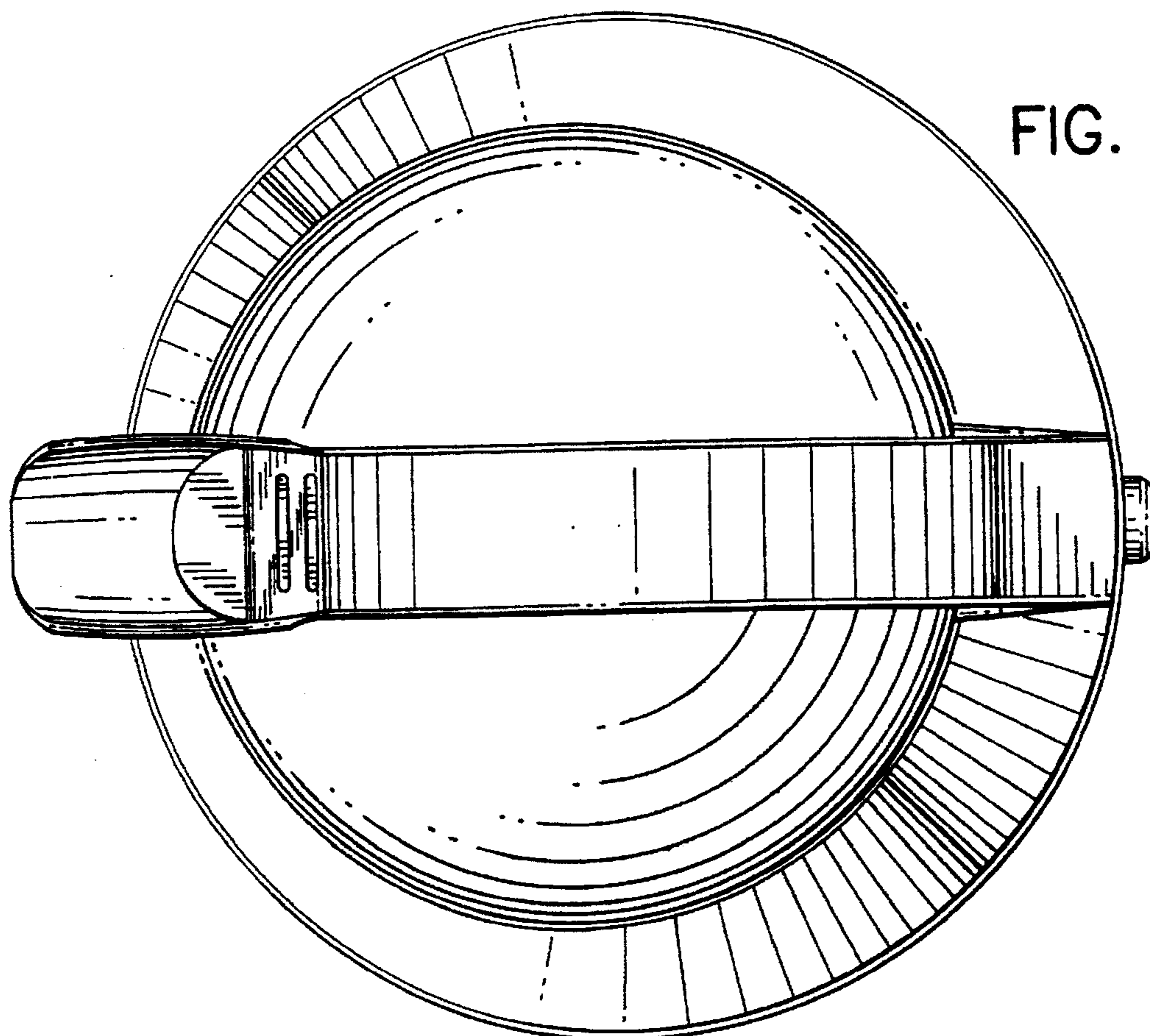
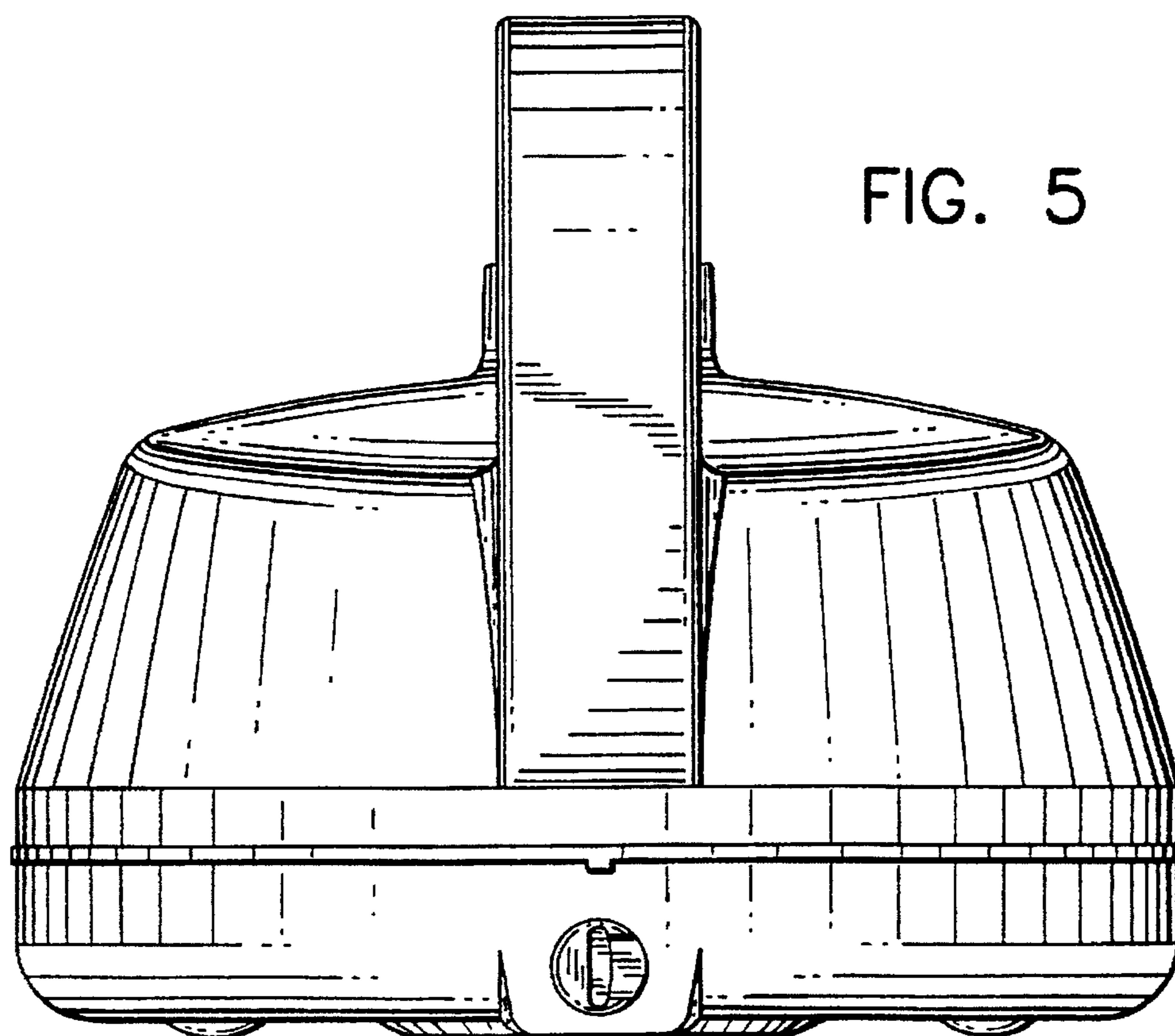
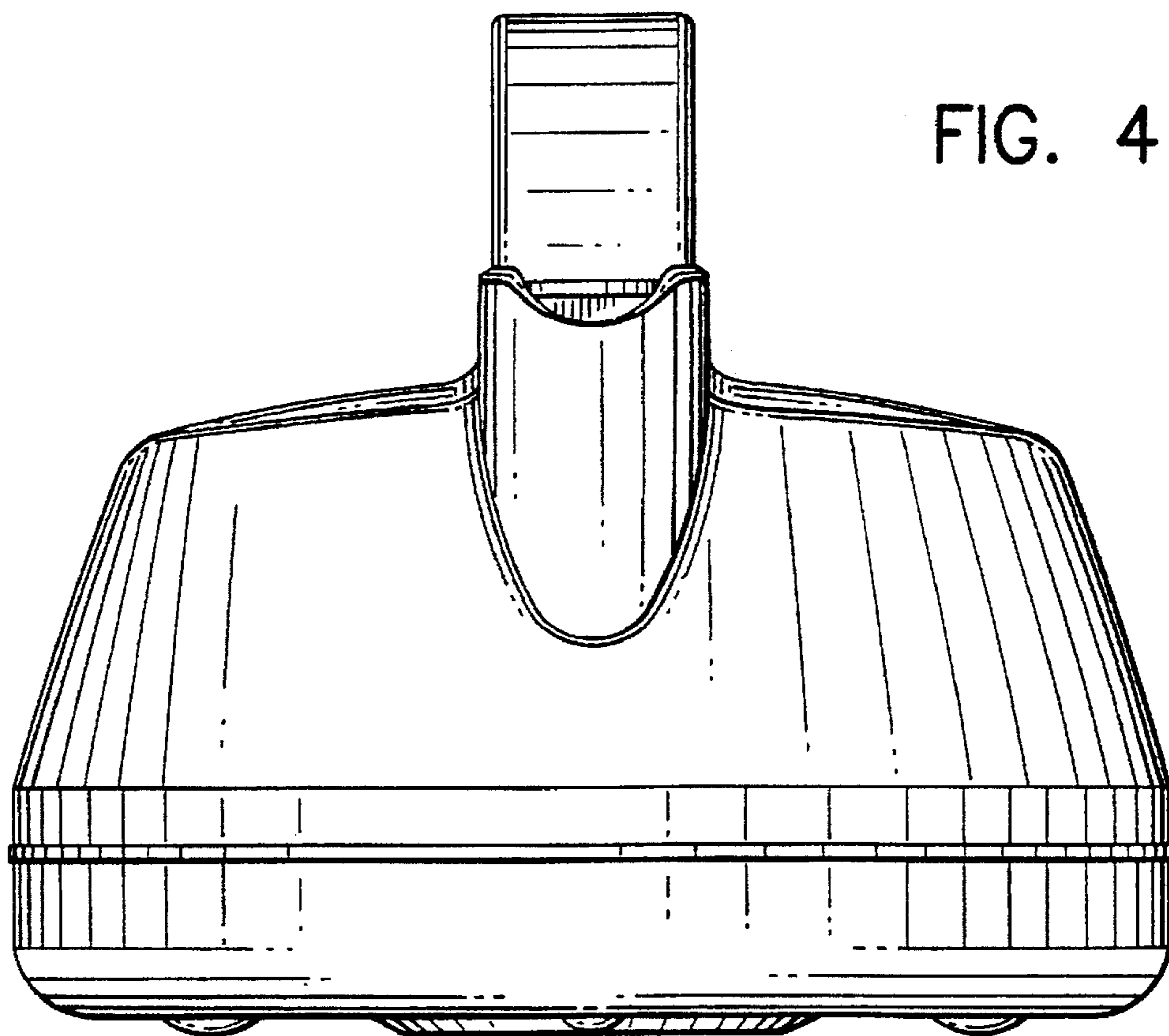


FIG. 3



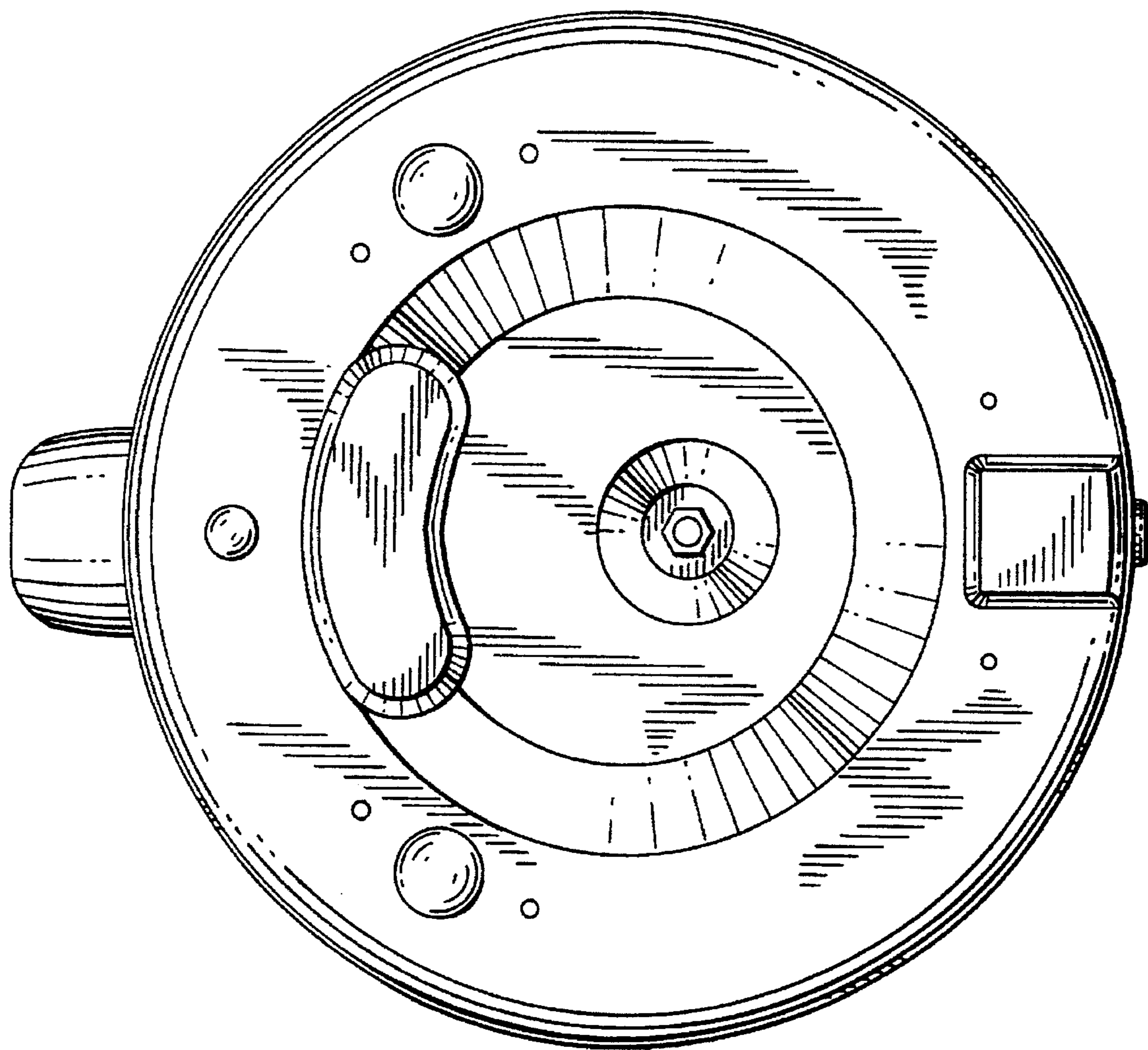


FIG. 6