



US00D380926S

United States Patent [19]

[11] Patent Number: **Des. 380,926**

Goodburn et al.

[45] Date of Patent: ****Jul. 15, 1997**

[54] **STORAGE BOX PRIMARILY FOR COMPUTER DISCS**

[76] Inventors: **Eric G. Goodburn**, 73 Christchurch Close, Edgbaston, Birmingham, United Kingdom, B15 3NE; **Andrew Kleanthous**, 26, Chelsea Close, Harborne, Birmingham, United Kingdom, B32 2XD; **Justin F. Reynolds**, 2, Avenue Road, Kings Heath, Birmingham, United Kingdom, B14 7TH

D. 294,125 2/1988 Hesser et al. D9/420
 D. 307,719 5/1990 Band D9/432
 D. 344,891 3/1994 Dressen D9/424
 D. 354,658 1/1995 Weber et al. D9/423
 2,796,190 6/1957 Tupper D9/423
 3,710,900 1/1973 Fink 206/387.15
 4,375,850 3/1983 Smyth et al. 206/387.15

Primary Examiner—Louis S. Zarfes
Assistant Examiner—Gregory Andoll
Attorney, Agent, or Firm—Nixon & Vanderhye P.C.

[**] Term: **14 Years**

[57] CLAIM

The ornamental design for a storage box primarily for computer discs, as shown.

[21] Appl. No.: **33,410**

DESCRIPTION

[22] Filed: **Jan. 12, 1995**

[30] Foreign Application Priority Data

Jul. 14, 1994 [GB] United Kingdom 2040308

[51] LOC (6) Cl. **06-04**

[52] U.S. Cl. **D6/632**

[58] Field of Search D6/626-635; 206/387.1, 206/387.15, 311, 312, 307, 308.1, 308.3, 309; D3/201, 206, 263; D9/423, 424, 432, 420; D19/75, 76; 211/41, 40

FIG. 1 is a perspective view of a storage box primarily for computer disks, showing our new design;
 FIG. 2 is a perspective view thereof in the open position, with the lid on the left and the base on the right;
 FIG. 3 is a left side elevation of FIG. 1;
 FIG. 4 is a top plan view thereof;
 FIG. 5 is a front end view elevational view thereof;
 FIG. 6 is a right side elevational view thereof;
 FIG. 7 is a bottom plan view thereof;
 FIG. 8 is a rear elevational view thereof; and,
 FIG. 9 is a plan view of the box in the open position, with the base on top and the lid at the bottom.

[56] References Cited

U.S. PATENT DOCUMENTS

D. 267,778 2/1983 Nagata D9/424
 D. 269,856 7/1983 Kuta D9/424

1 Claim, 4 Drawing Sheets

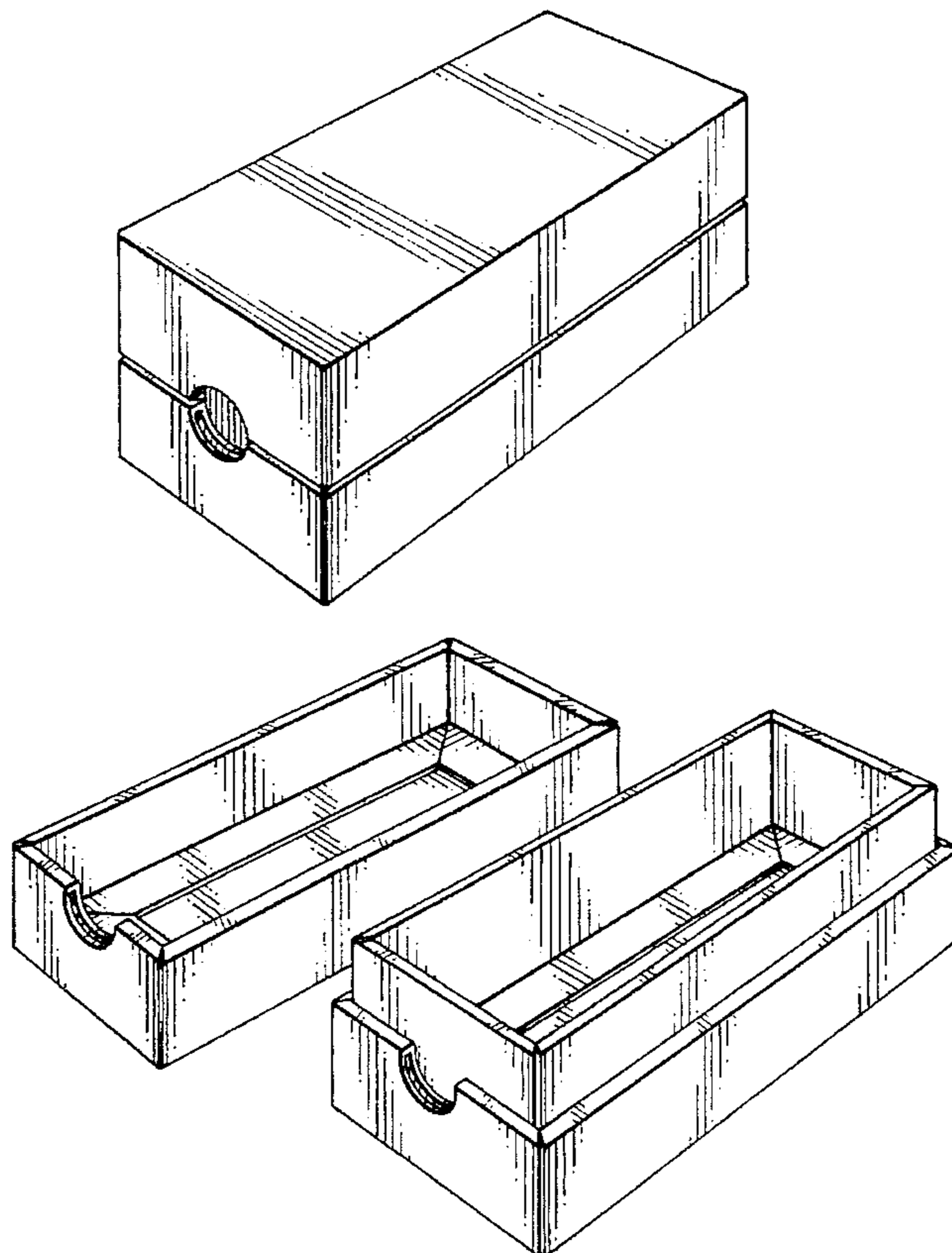


FIG. 1

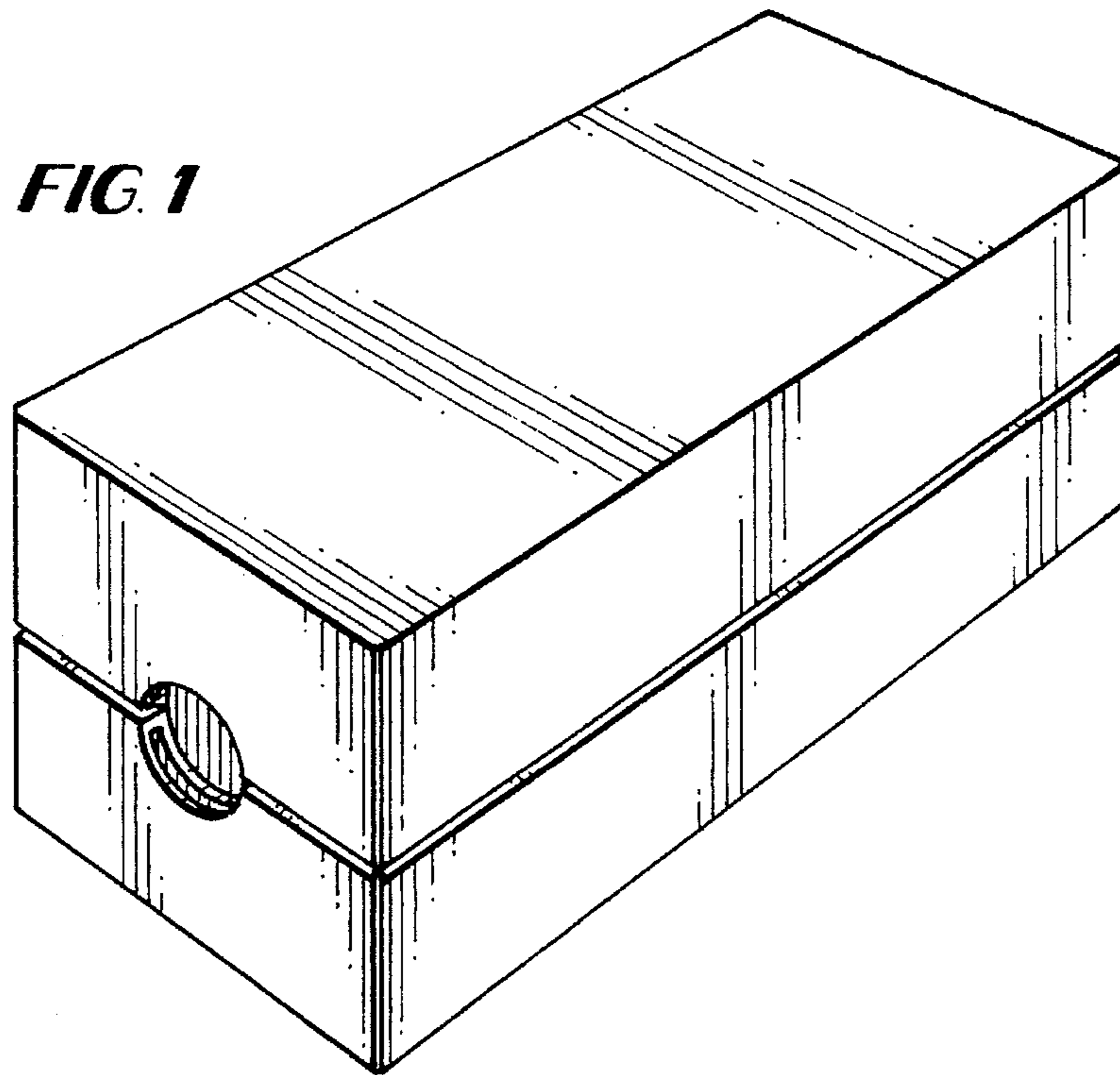


FIG. 2

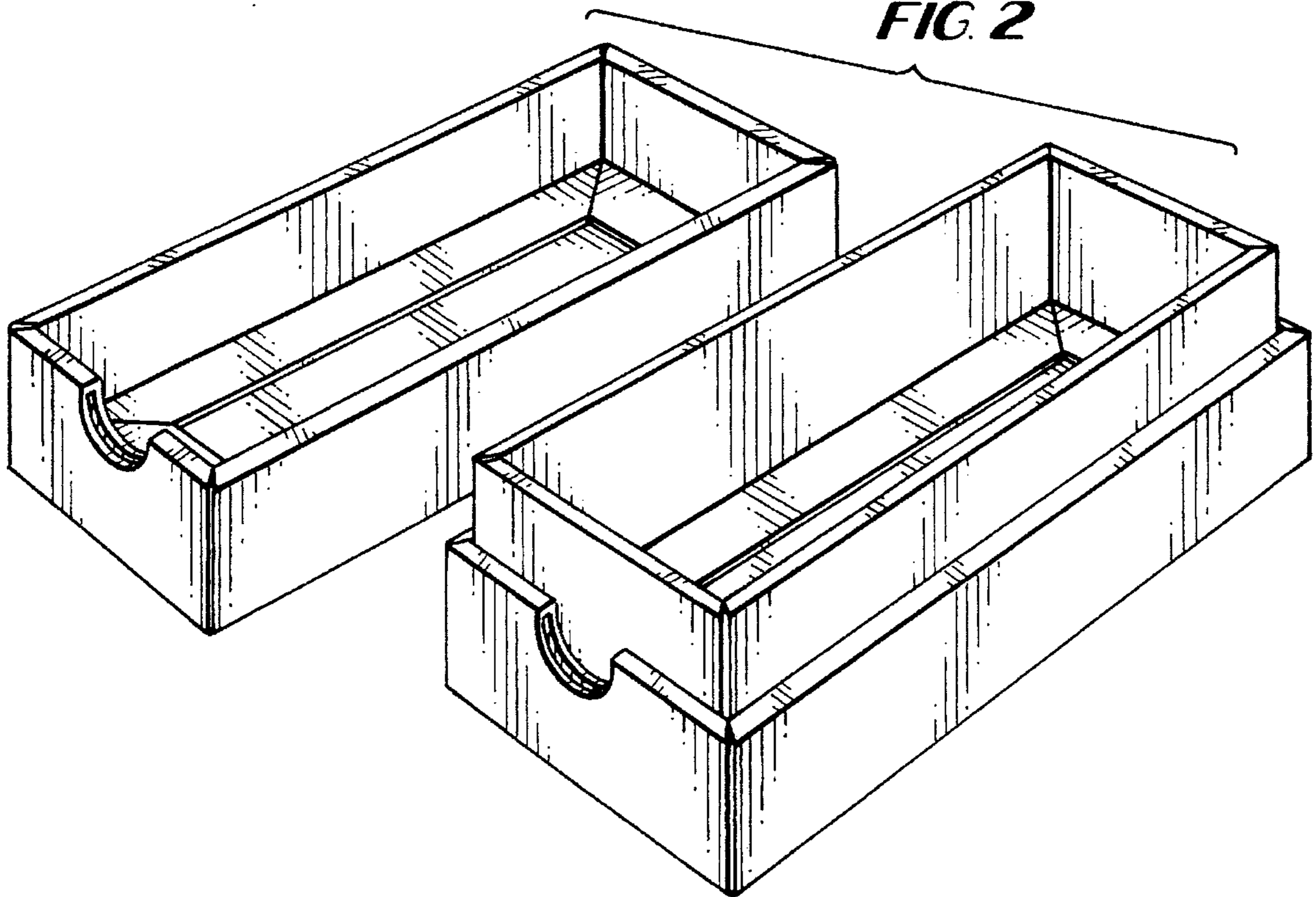


FIG. 3

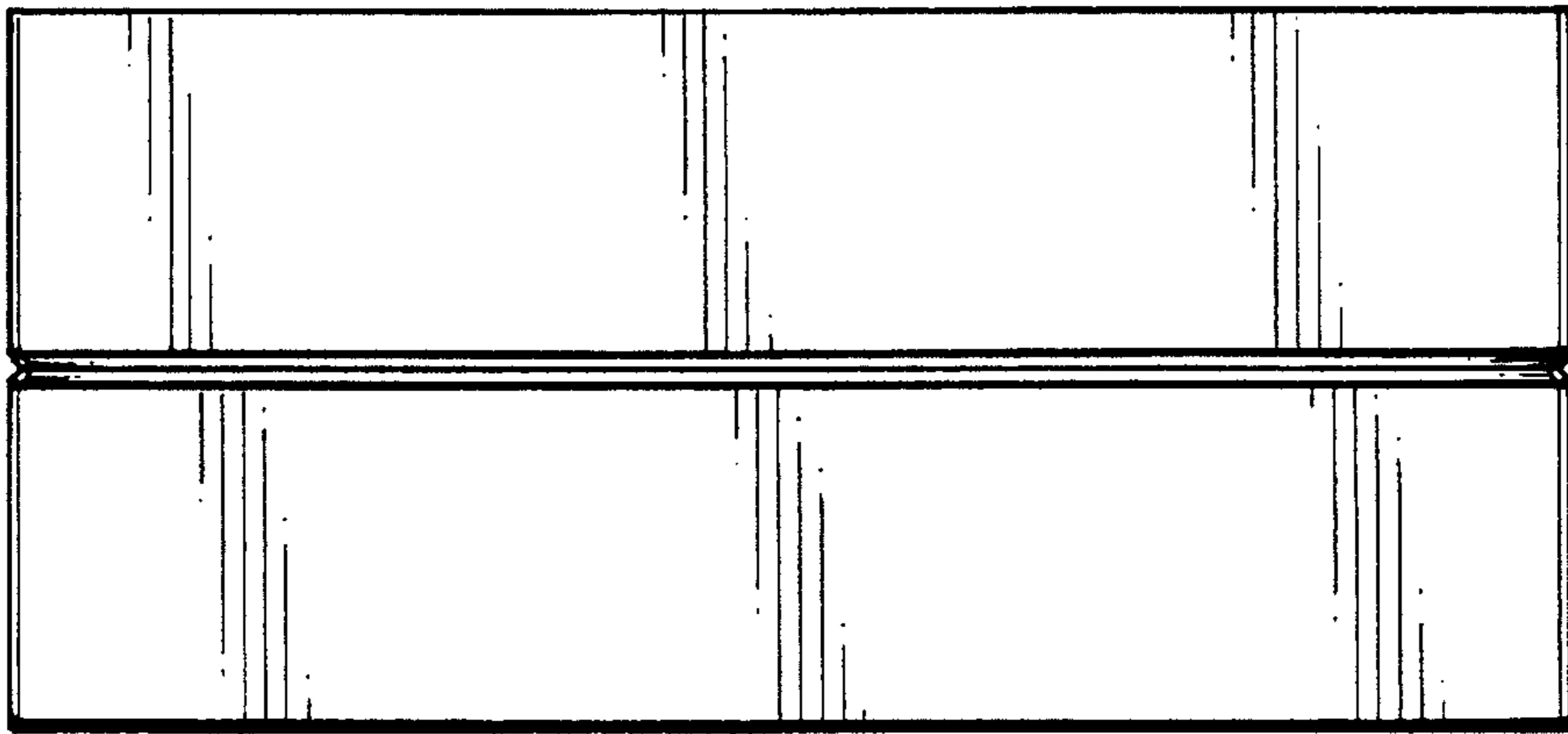


FIG. 4

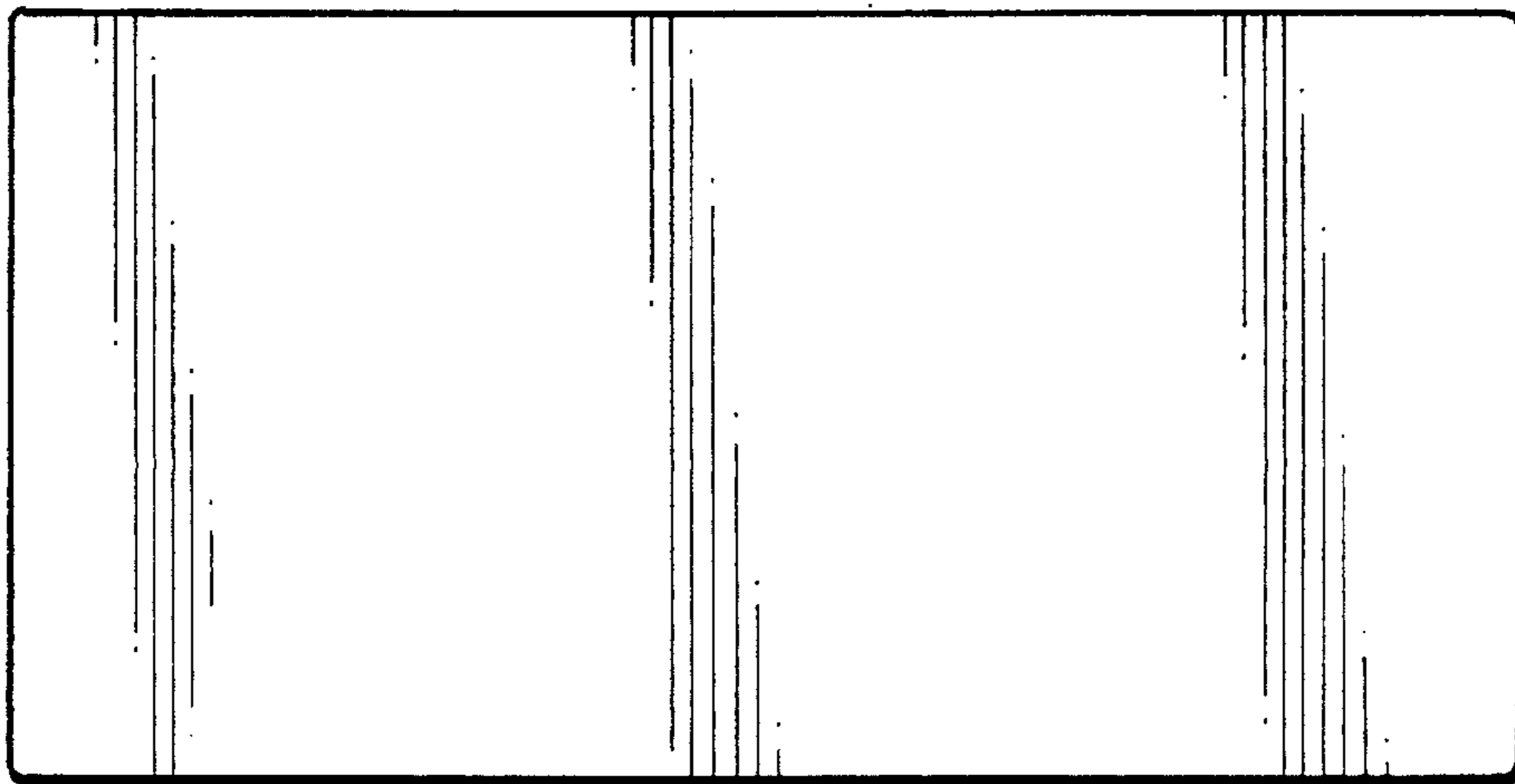


FIG. 5

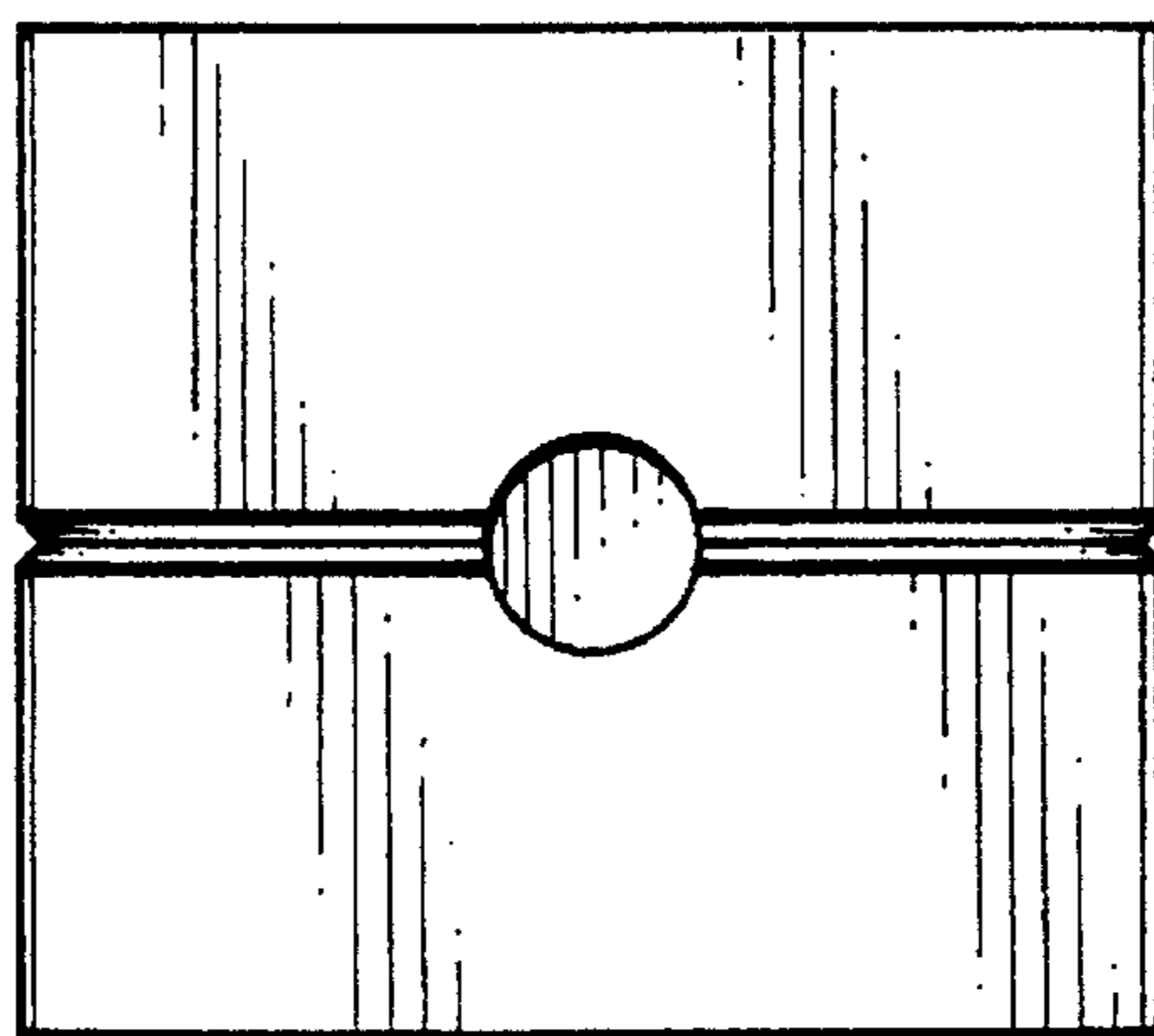


FIG. 6

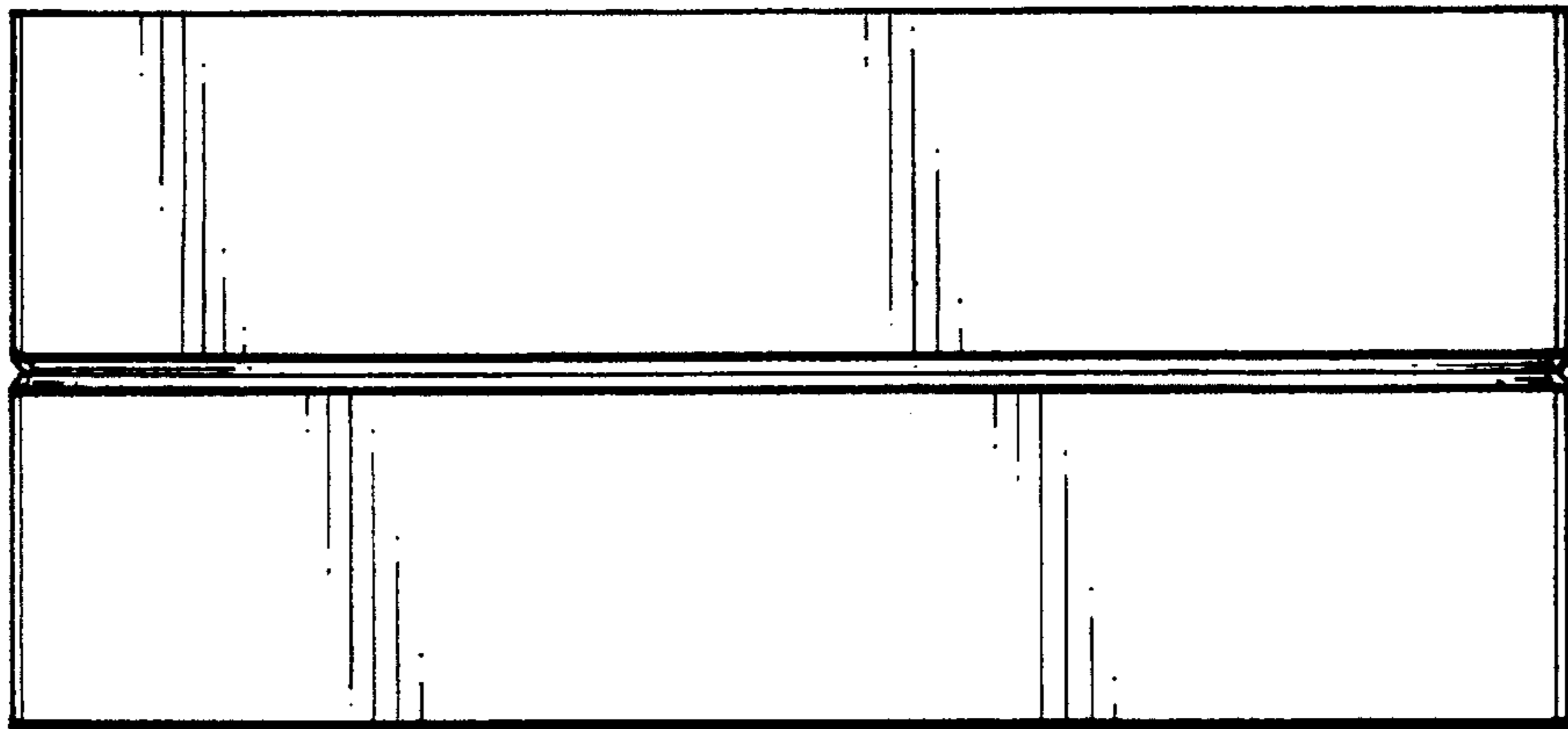


FIG. 7

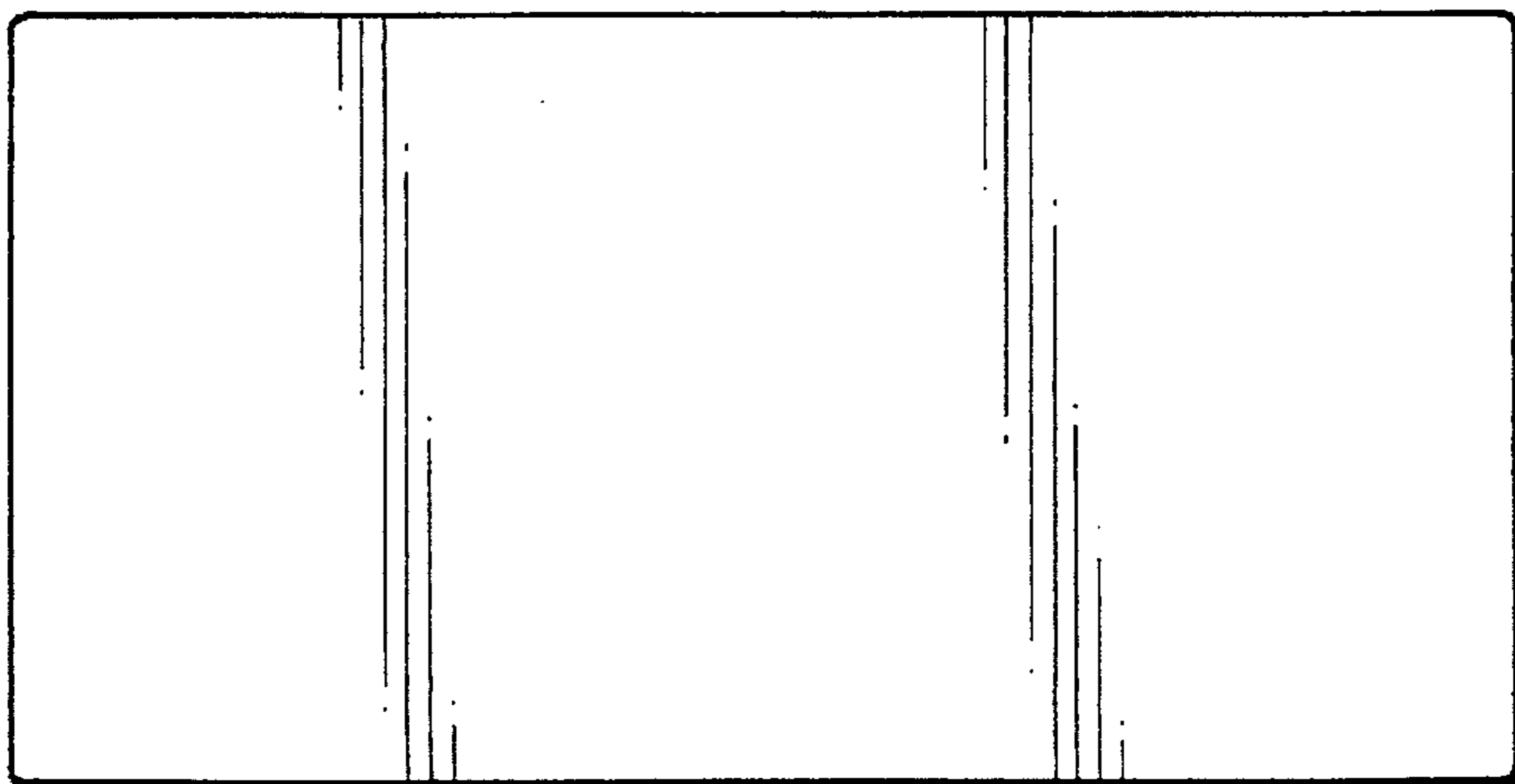


FIG. 8

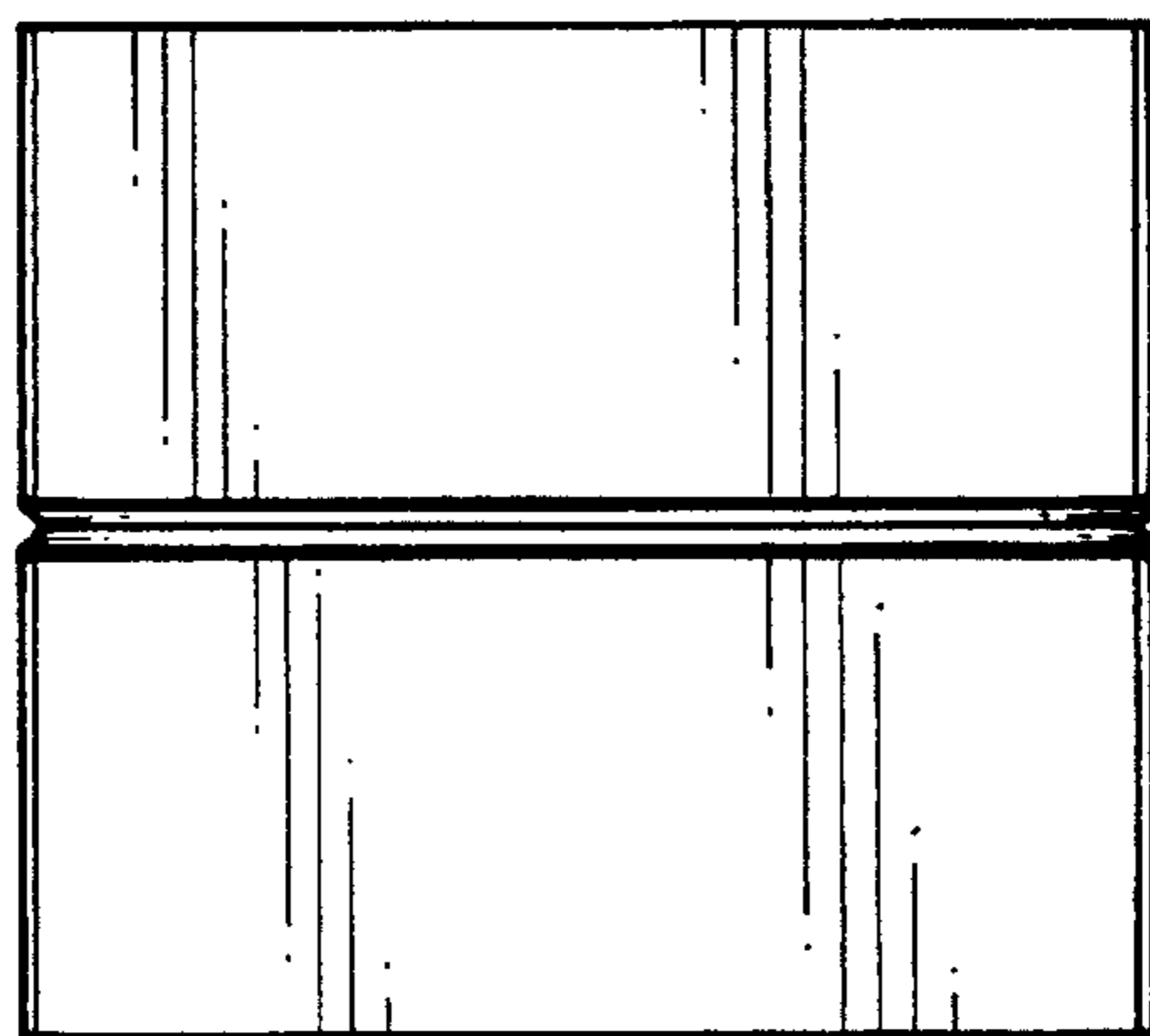


FIG. 9

