



US00D380924S

United States Patent [19]

[11] Patent Number: **Des. 380,924**

Sternelle

[45] Date of Patent: ****Jul. 15, 1997**

[54] **COMPACT DISC DISPLAY**

[76] Inventor: **Beatrix Sternelle**, Katharinenstrasse 8,
59348 Lüdinghausen, Germany

[**] Term: **14 Years**

[21] Appl. No.: **53,813**

[22] Filed: **Apr. 30, 1996**

D. 263,357	3/1982	Savas	D6/478 X
D. 270,798	10/1983	McDiarmid	D6/476 X
D. 286,834	11/1986	Wilken	D6/474 X
D. 289,352	4/1987	Sher	D6/476 X
D. 297,084	8/1988	Silver	D6/476
D. 326,375	5/1992	Manley et al.	D6/478 X
2,230,635	2/1941	Alderfer	211/135 X

Primary Examiner—Jeffrey Asch
Attorney, Agent, or Firm—Furgang & Milde, LLP

Related U.S. Application Data

[62] Division of Ser. No. 30,210, Oct. 24, 1994, Pat. No. Des. 376,508.

[51] **LOC (6) Cl.** **06-04**

[52] **U.S. Cl.** **D6/630**

[58] **Field of Search** D6/407, 624, 630,
D6/474-479, 470-472, 466-468; 211/40-42,
135, 187; 312/9.1, 9.9, 9.16, 9.45, 9.46,
9.48, 9.53, 9.56, 114; 206/387.1, 307, 308.1,
387.15, 445, 454

[57] CLAIM

The ornamental design for the compact disc display, as shown and described.

DESCRIPTION

FIG. 1 is a perspective view of a compact disc display showing my new design;
FIG. 2 is a front elevational view of the compact disc display of FIG. 1;
FIG. 3 is a top view of the compact disc display of FIG. 1;
FIG. 4 is a side elevational view of the compact disc display of FIG. 1;
FIG. 5 is a rear elevational view of the compact disc display of FIG. 1; and,
FIG. 6 is a bottom view of the compact disc display of FIG. 1.

[56] References Cited

U.S. PATENT DOCUMENTS

D. 106,203	9/1937	Kingrey	D6/476
D. 128,800	8/1941	Meyer	D6/474 X
D. 158,775	5/1950	Malkin	D6/470
D. 194,083	11/1962	Brach	D6/476 X

1 Claim, 4 Drawing Sheets

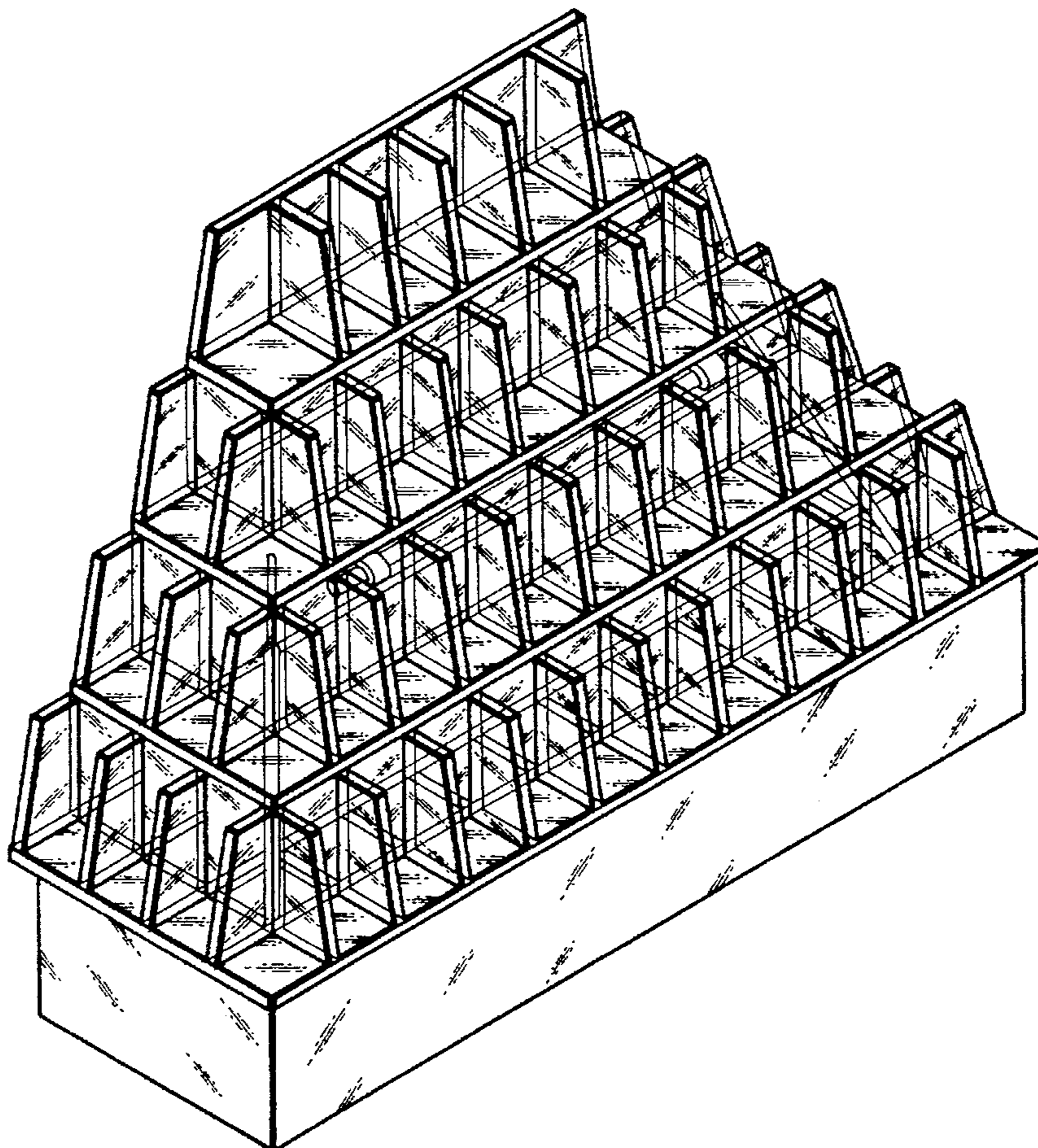


FIG. 1

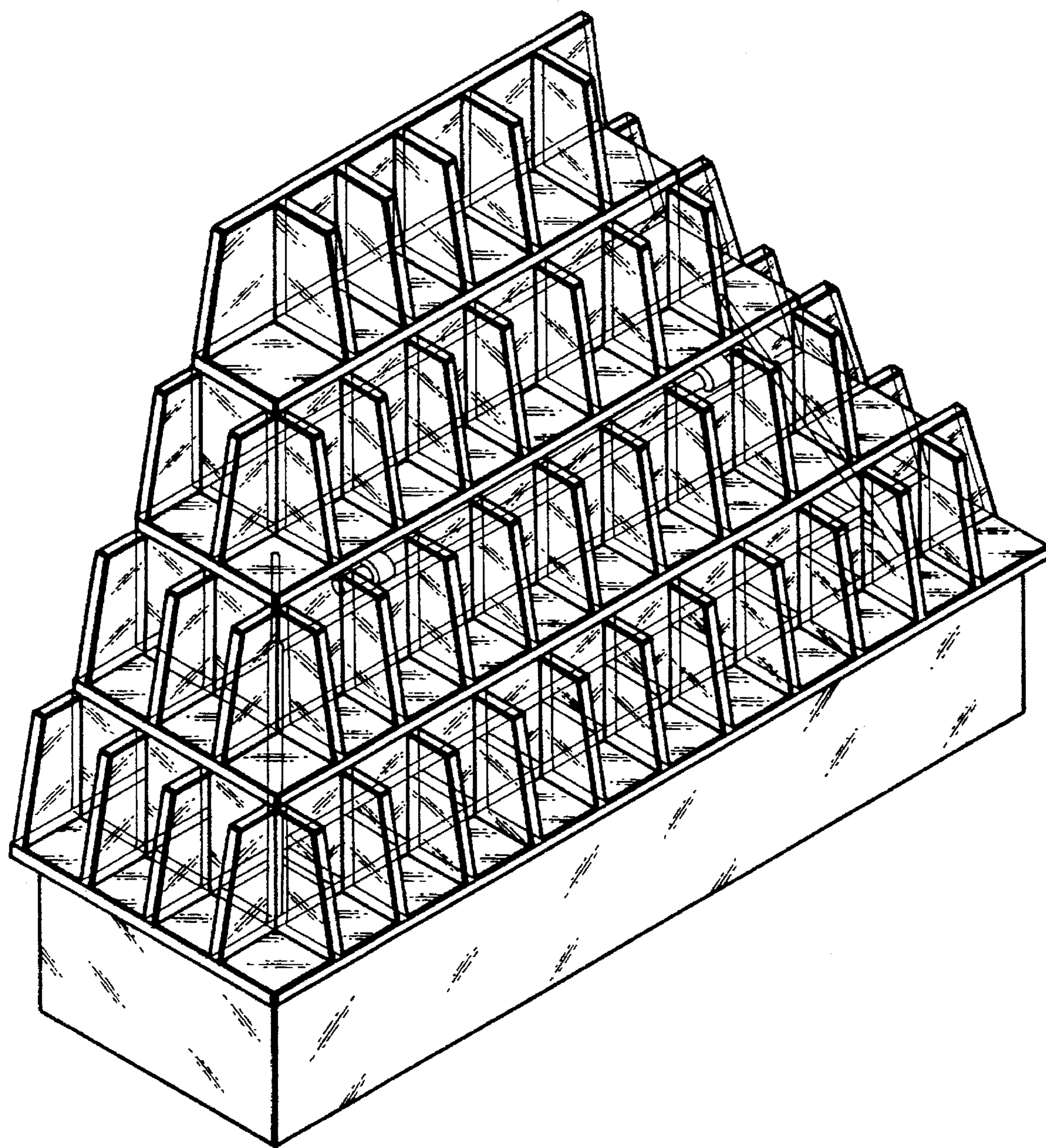


FIG.2

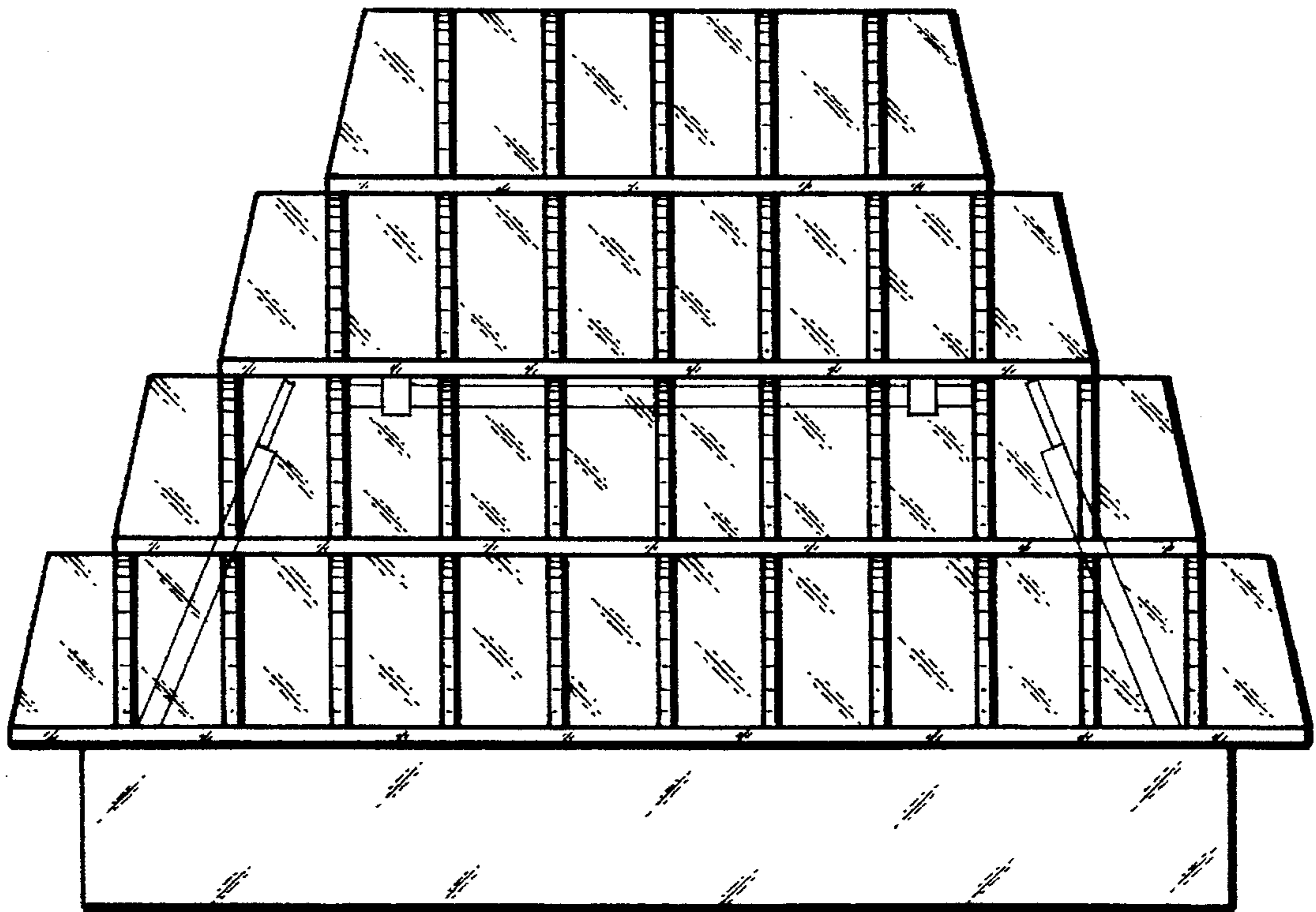


FIG.3

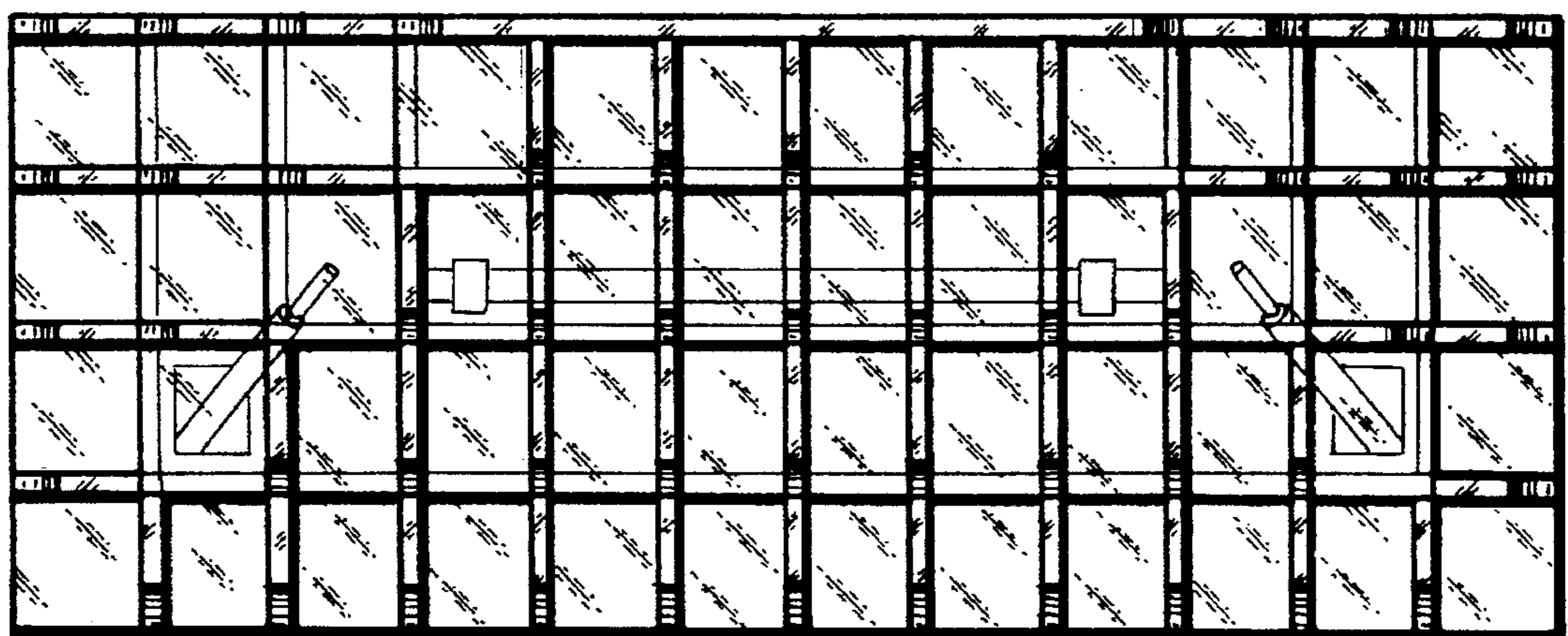


FIG.4

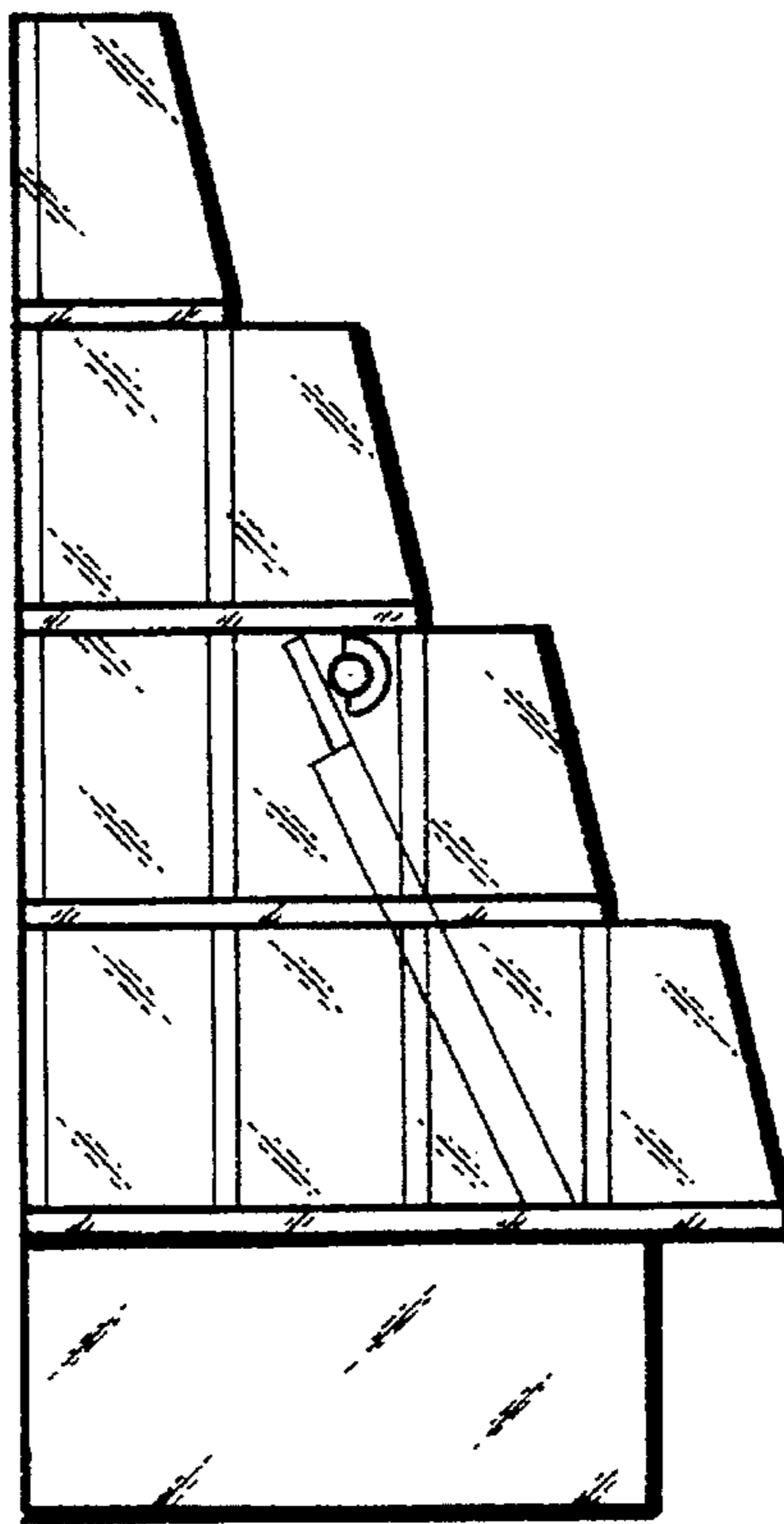
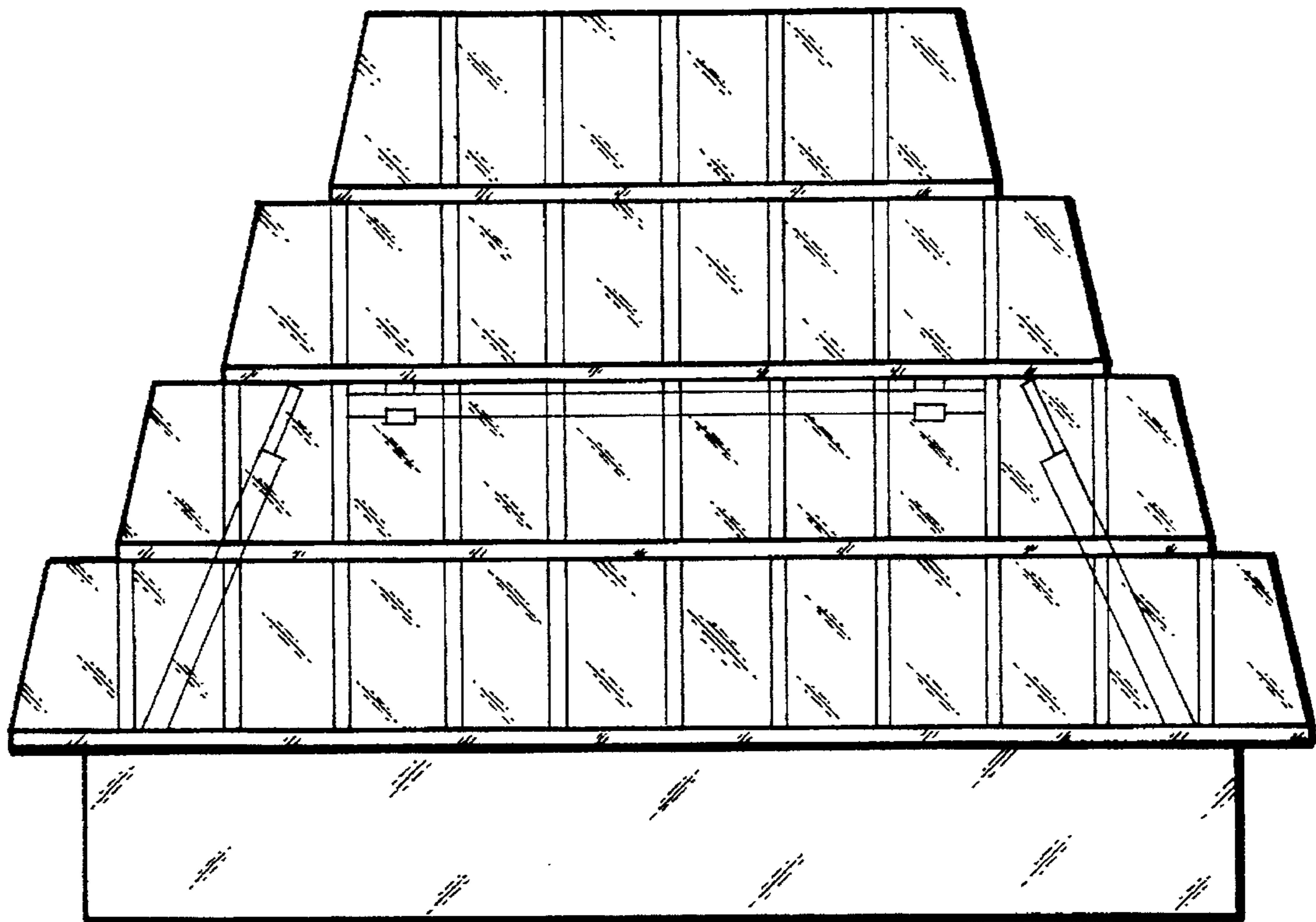


FIG.5



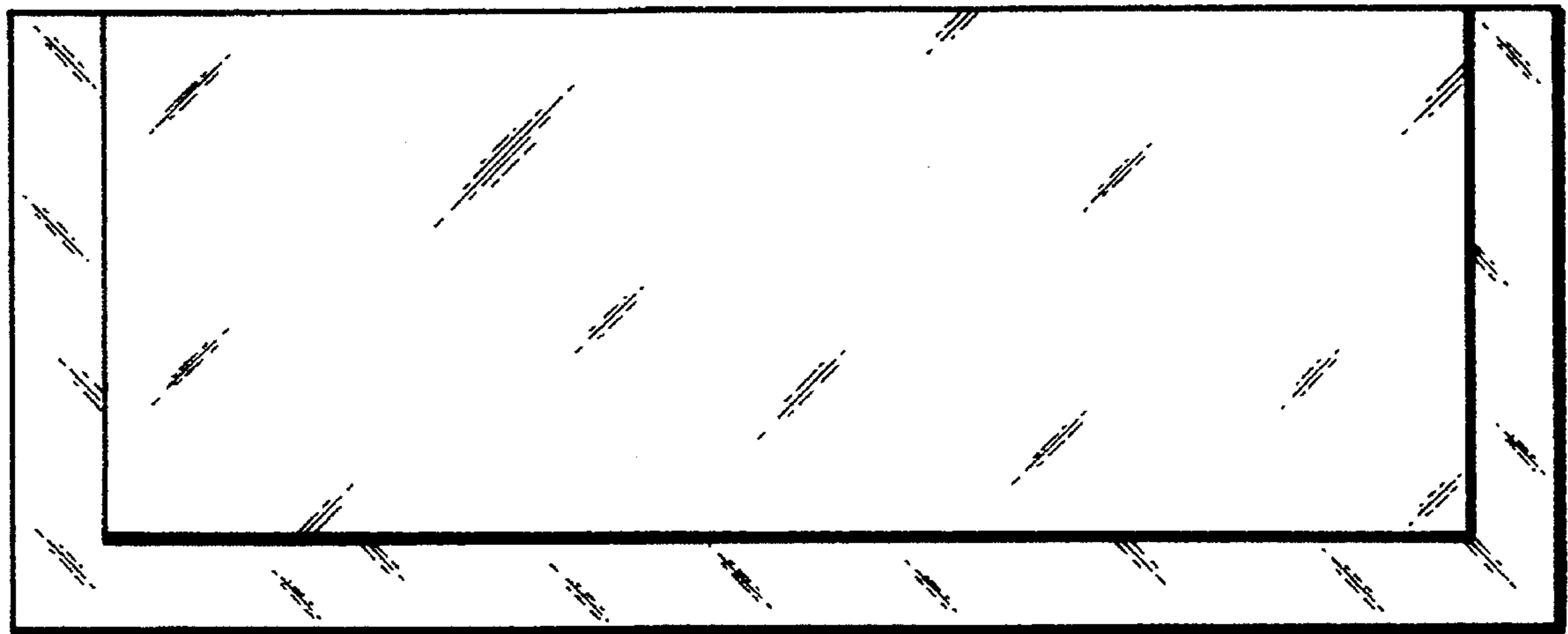


FIG.6