



US00D380919S

United States Patent [19]

Goodman et al.

[11] Patent Number: **Des. 380,919**

[45] Date of Patent: ****Jul. 15, 1997**

[54] SOAP DISH

D. 327,596 7/1992 Emery D6/537

[75] Inventors: **Sheldon H. Goodman**, 30905 Stratford, Solon, Ohio 44139; **Harold A. Goodman**, Orange Village, Ohio

Primary Examiner—Brian N. Vinson
Attorney, Agent, or Firm—Pearne, Gordon, McCoy & Granger

[73] Assignee: **Sheldon H. Goodman**, Solon, Ohio

[57] CLAIM

[**] Term: **14 Years**

The ornamental design for a soap dish, as shown and described.

[21] Appl. No.: **51,241**

DESCRIPTION

[22] Filed: **Mar. 6, 1996**

[51] LOC (6) Cl. **07-07**

[52] U.S. Cl. **D6/537**

[58] Field of Search D6/536-540; 206/77.1; 211/181

FIG. 1 is a front perspective view of a soap dish, showing our new design, the partial broken line depiction of a soap tray insert being for illustrative purposes only and forming no part of the claimed design;
FIG. 2 is front elevational view thereof;
FIG. 3 is a top plan view thereof;
FIG. 4 is a right side elevational view thereof; the left side elevational view being a mirror image; and,
FIG. 5 is a bottom plan view thereof.

[56] References Cited

U.S. PATENT DOCUMENTS

- D. 113,997 3/1939 Sanford D6/537
- D. 167,234 7/1952 Simpson D6/537

1 Claim, 2 Drawing Sheets

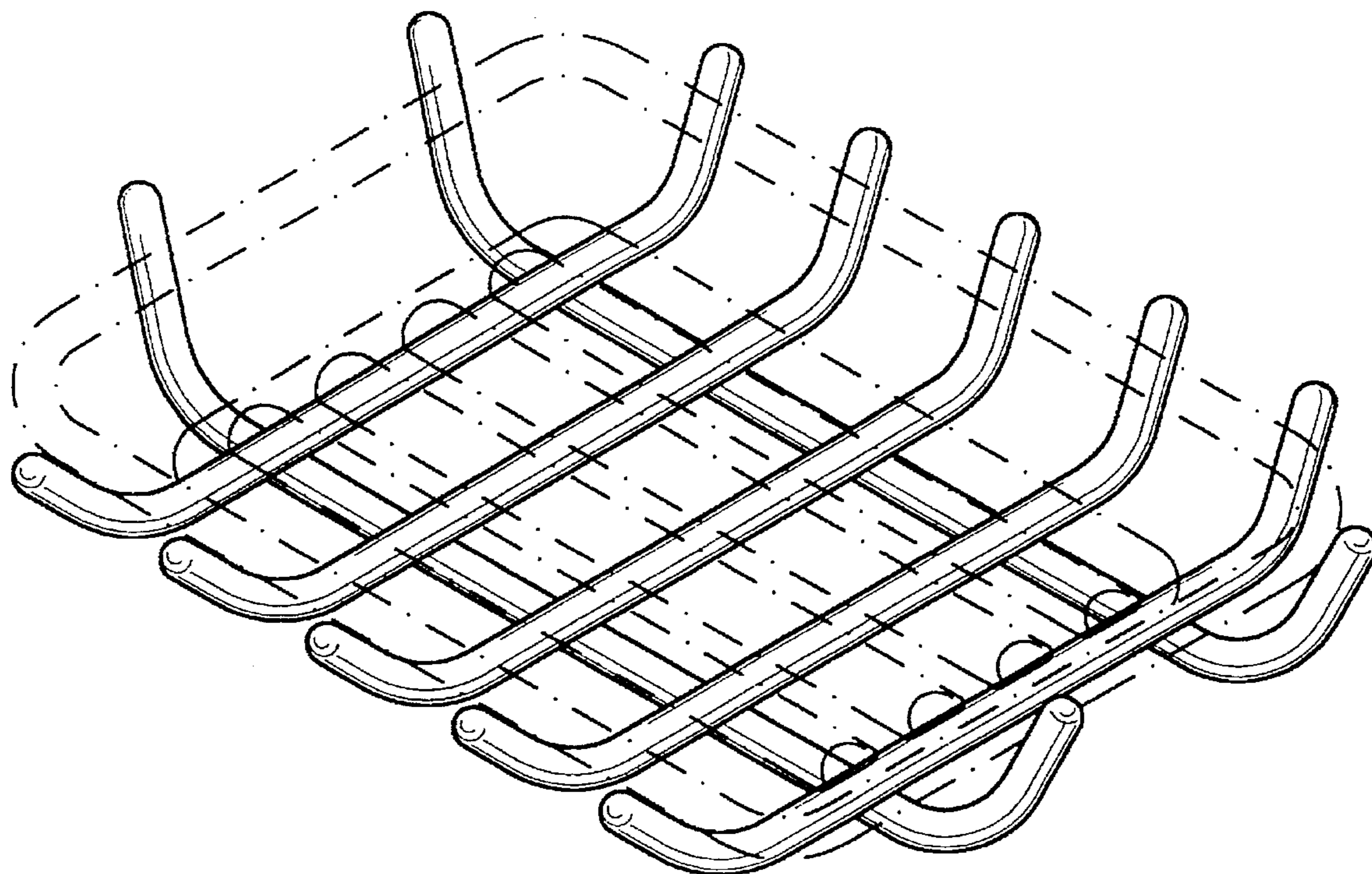


Fig. 1

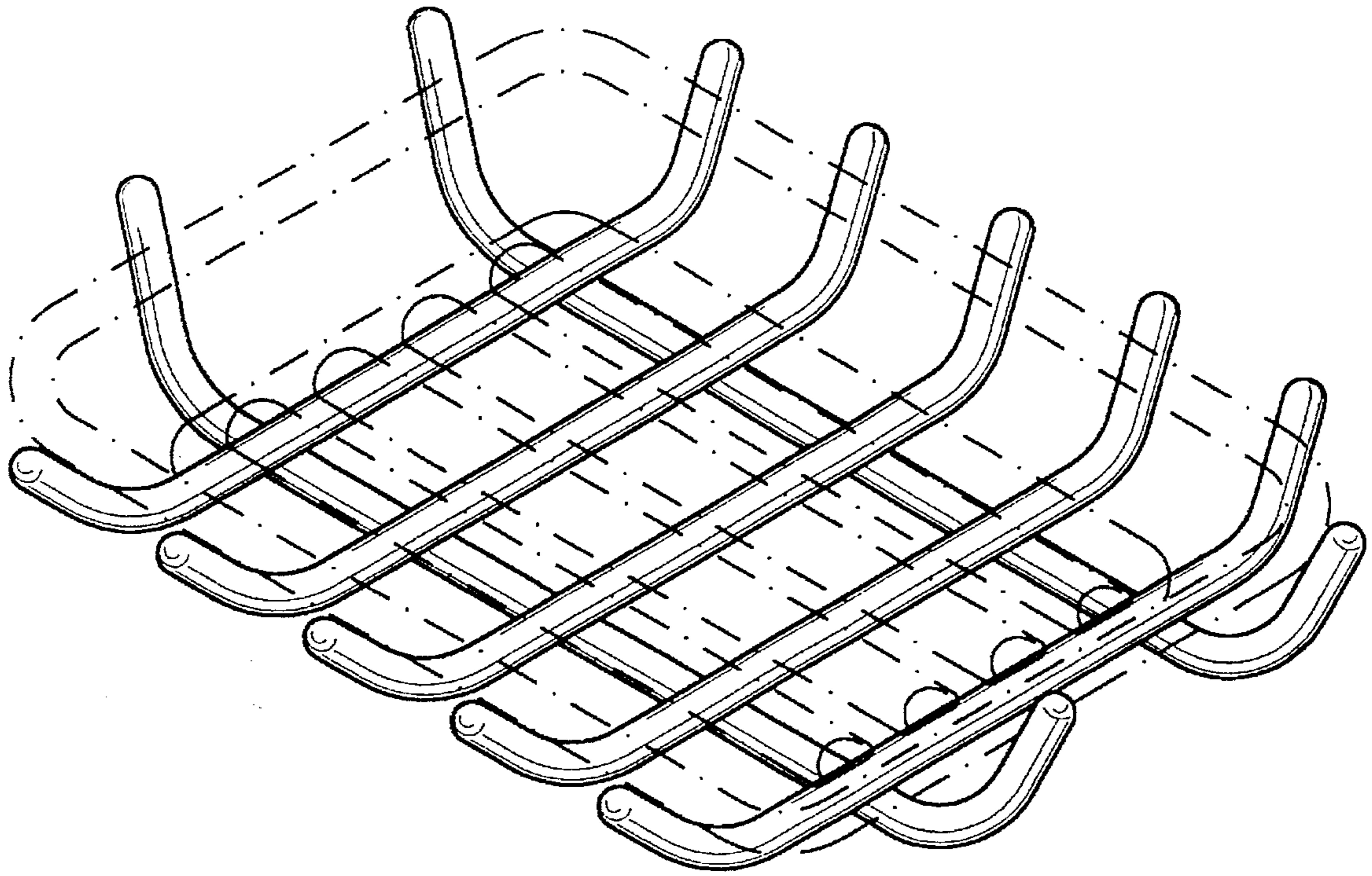


Fig.3

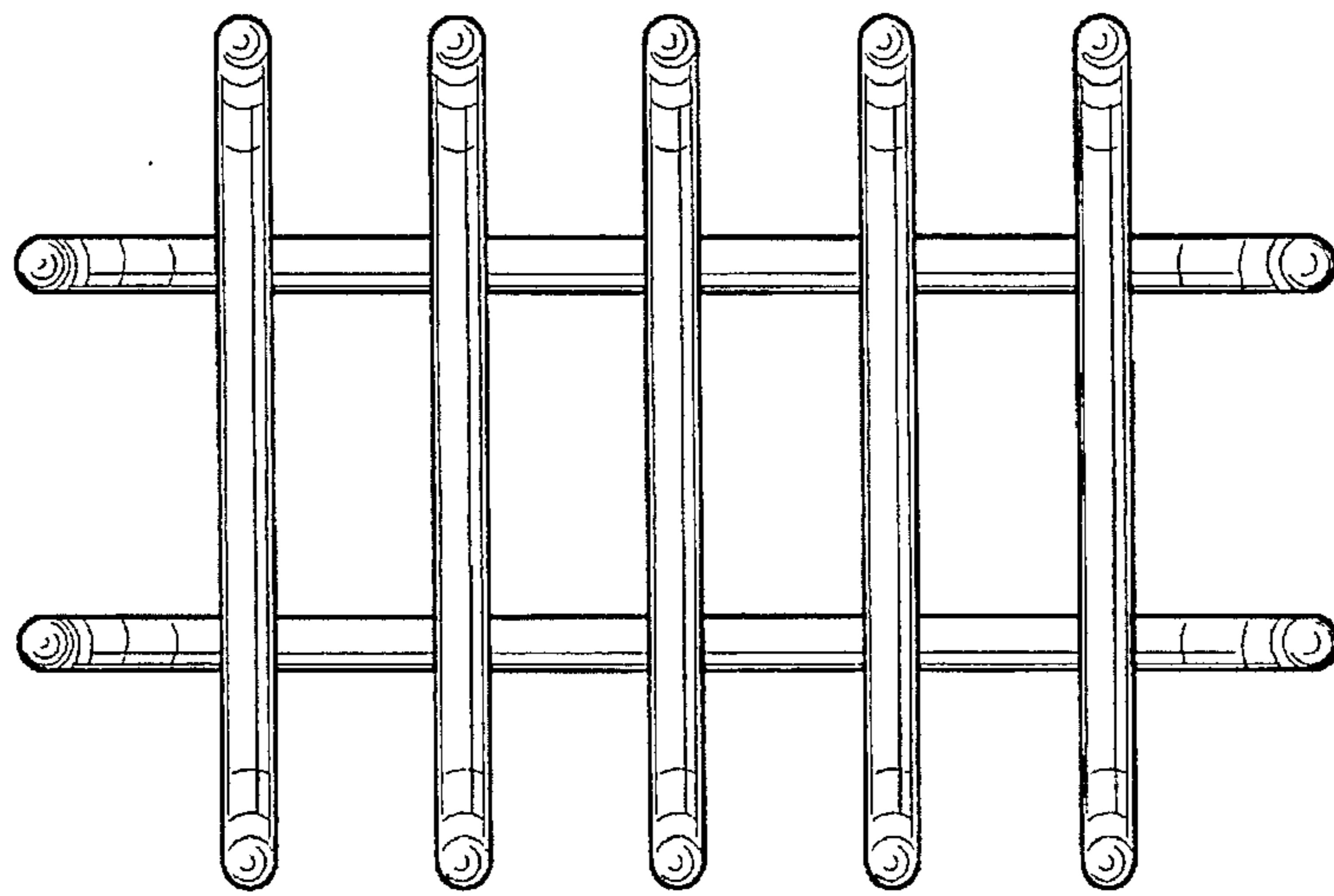


Fig.2

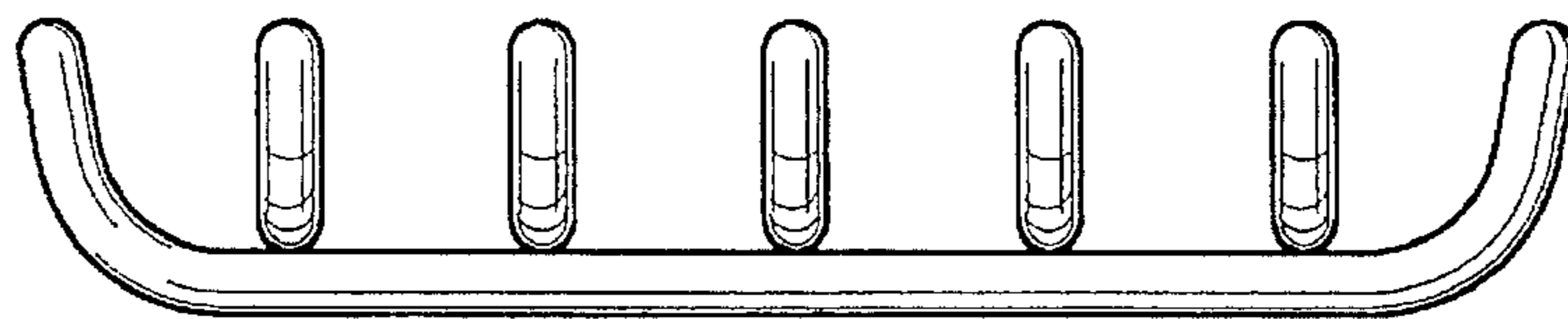


Fig.4

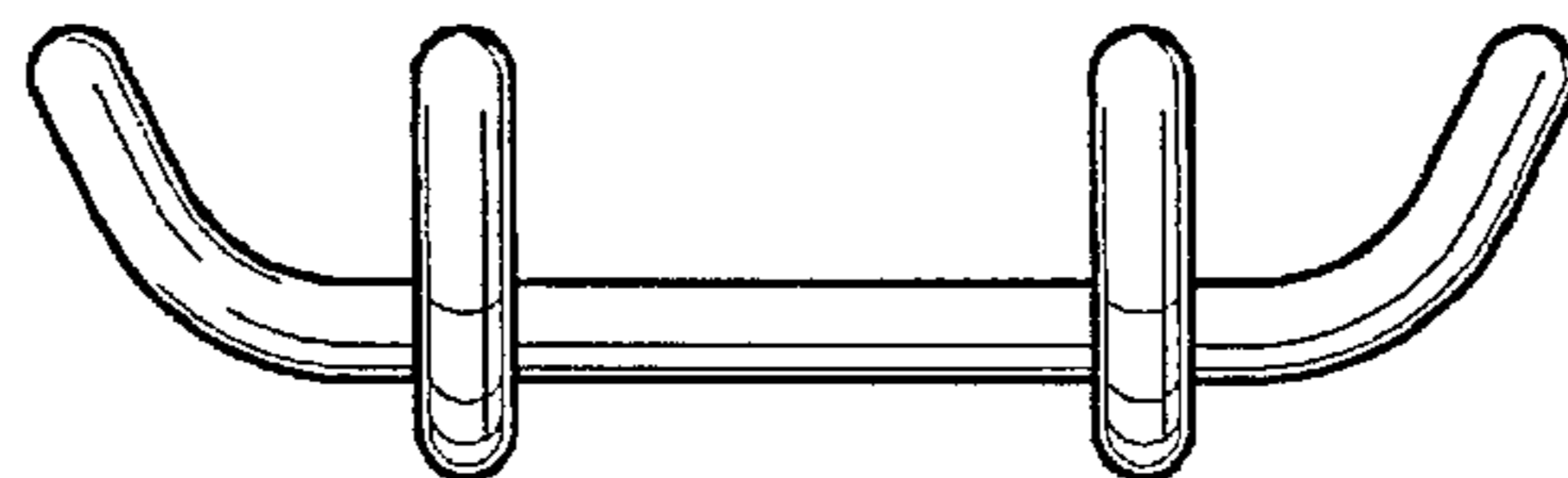


Fig.5

