



US00D380914S

United States Patent [19]

[11] Patent Number: **Des. 380,914**

Dostie et al.

[45] Date of Patent: ****Jul. 15, 1997**

[54] **DISPLAY STAND FOR WRIST WATCHES**

[75] Inventors: **Alain Dostie, Ile Bizard; Allan Sandler, Dollard des Ormeaux, both of Canada**

[73] Assignee: **Algar Plastics (Canada) Ltd., St.-Laurent, Canada**

[**] Term: **14 Years**

[21] Appl. No.: **50,778**

[22] Filed: **Feb. 13, 1996**

[51] LOC (6) Cl. **06-99**

[52] U.S. Cl. **D6/466**

[58] **Field of Search** D6/466, 467, 462, D6/449, 396; D9/422; 206/45.12, 45.13, 45.14, 45.15, 45.19, 45.34, 6.1, 301, 565, 566; 368/316, 317; D19/65, 90; 63/30; 248/114-116

[56] **References Cited**

U.S. PATENT DOCUMENTS

D. 161,195 3/1950 Mortimer D6/449 X

D. 209,359	11/1967	Schuler	D6/466
3,312,435	4/1967	Malone	248/115
4,034,849	7/1977	Zakrajsek	206/566 X
4,082,183	4/1978	Sturm	206/301
4,707,146	11/1987	Wein	248/116 X
5,181,608	1/1993	Herzog	206/566 X

Primary Examiner—James Gandy
Assistant Examiner—Linda Brooks
Attorney, Agent, or Firm—Stuart H. Nissim

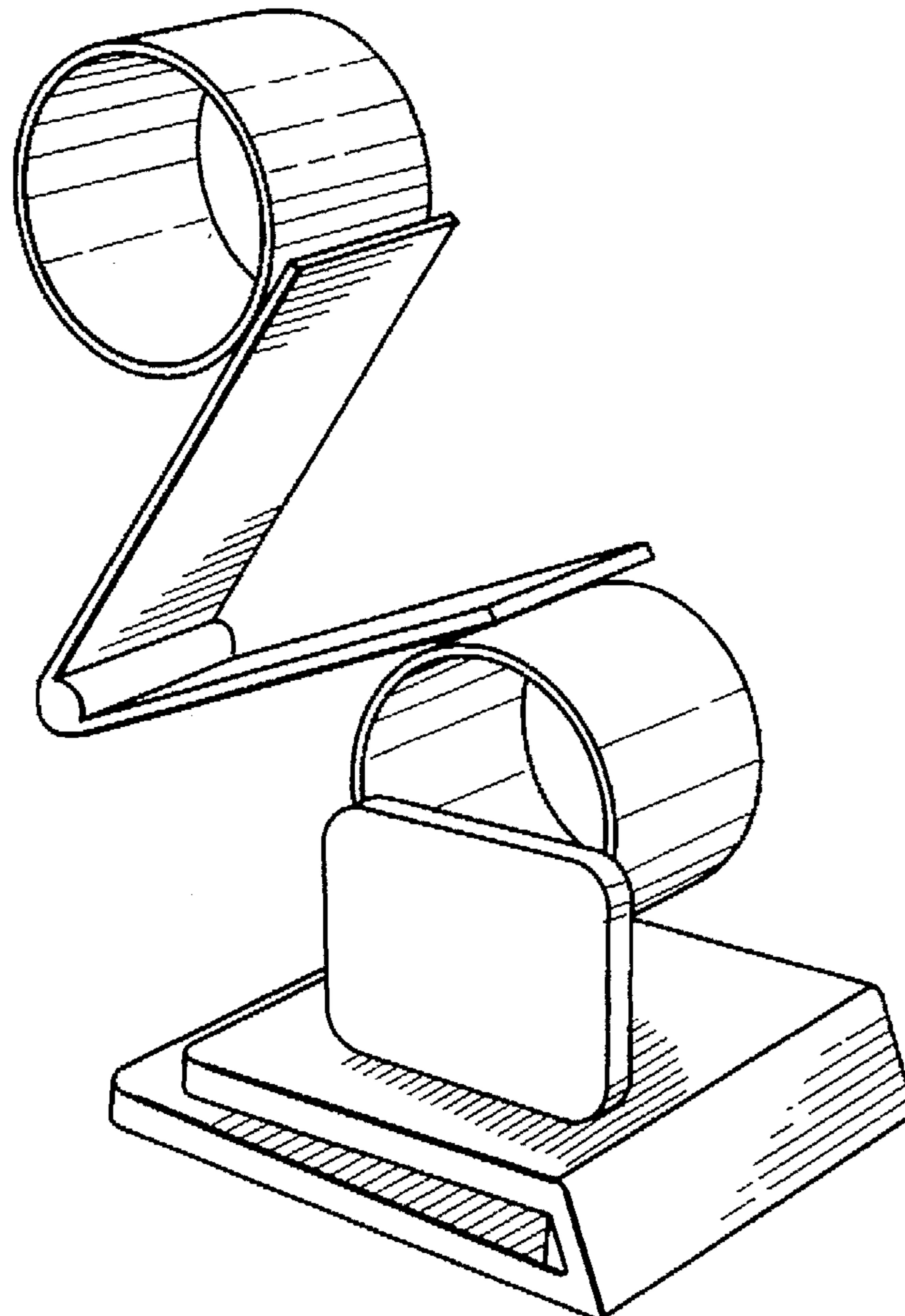
[57] **CLAIM**

The ornamental design for a display stand for wrist watches, as shown.

DESCRIPTION

FIG. 1 is a perspective view of a display stand for wrist watches;
FIG. 2 is a right side elevational view thereof;
FIG. 3 is a rear elevational view thereof;
FIG. 4 is a top plan view thereof;
FIG. 5 is a bottom plan view thereof;
FIG. 6 is a front elevational view thereof; and,
FIG. 7 is a left side elevational view thereof.

1 Claim, 2 Drawing Sheets



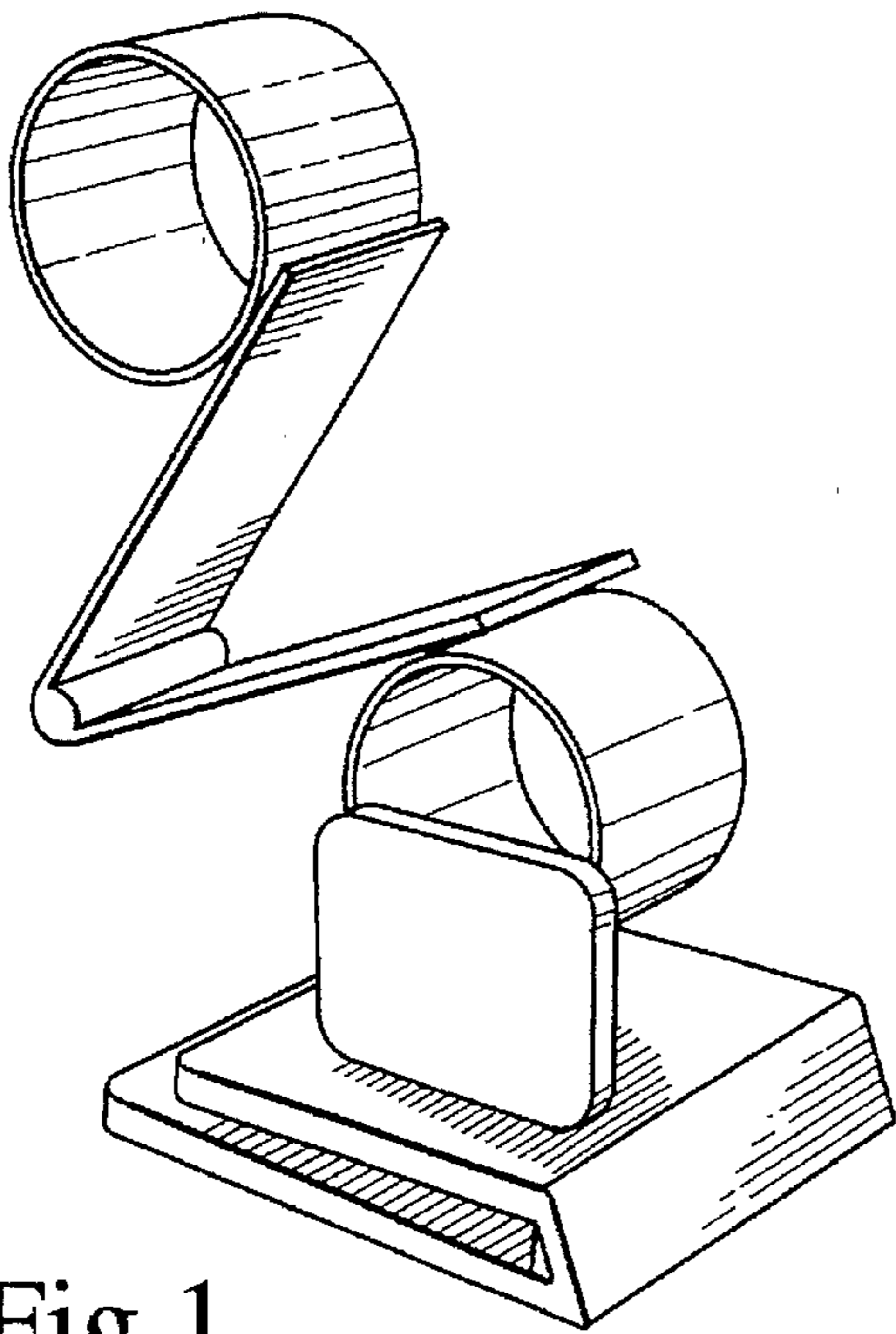


Fig.1

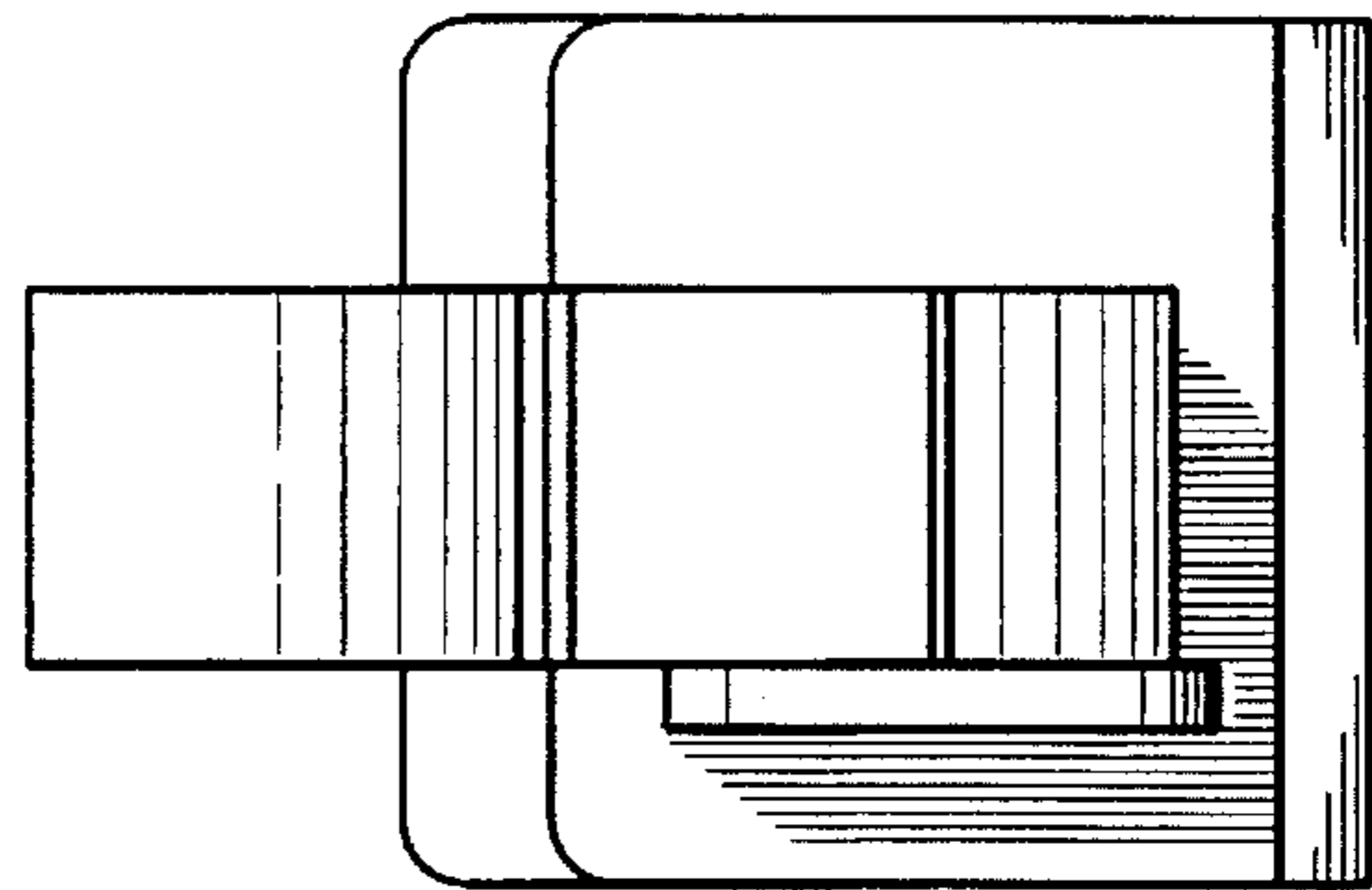


Fig.4

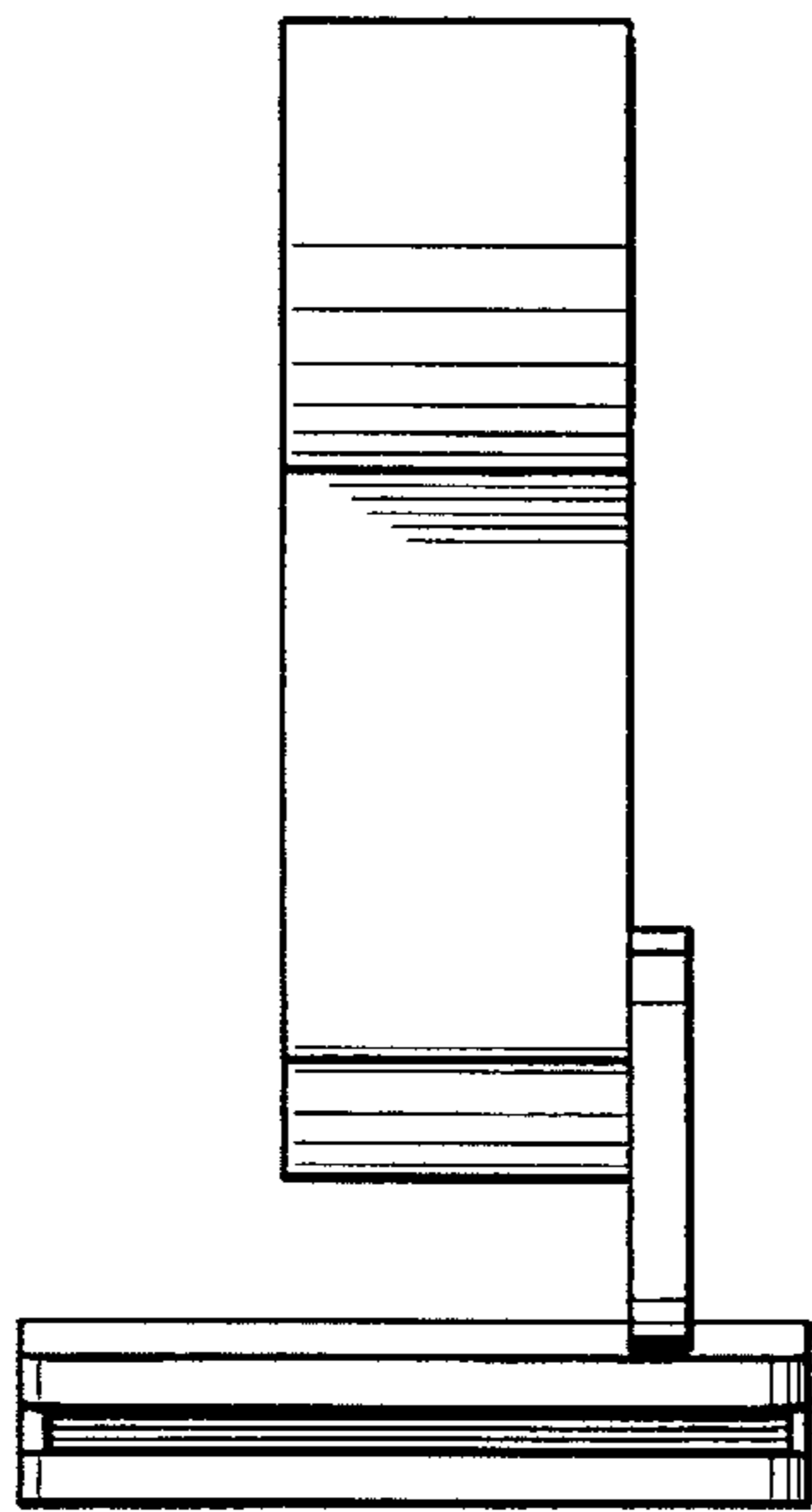


Fig.3

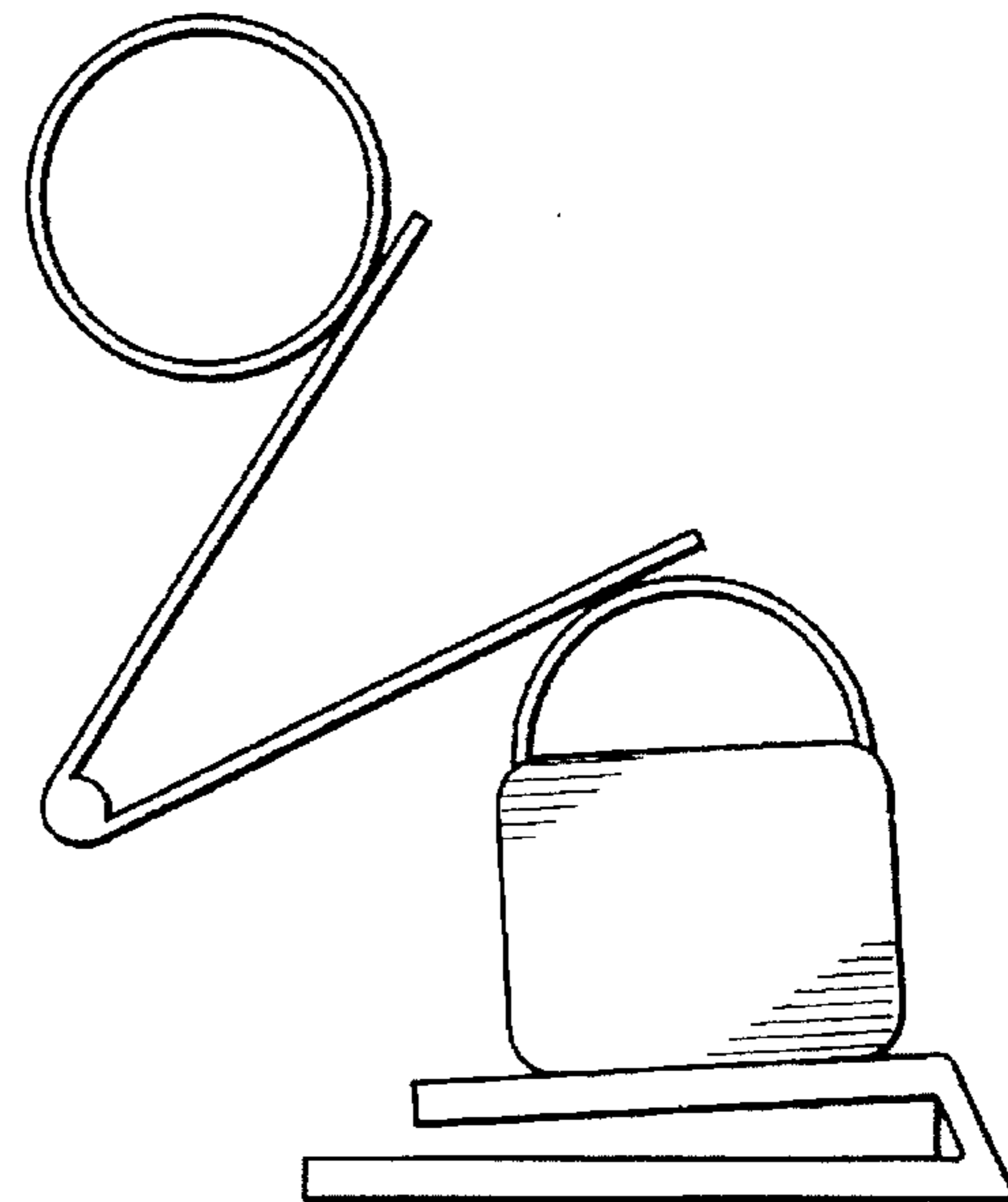


Fig.2

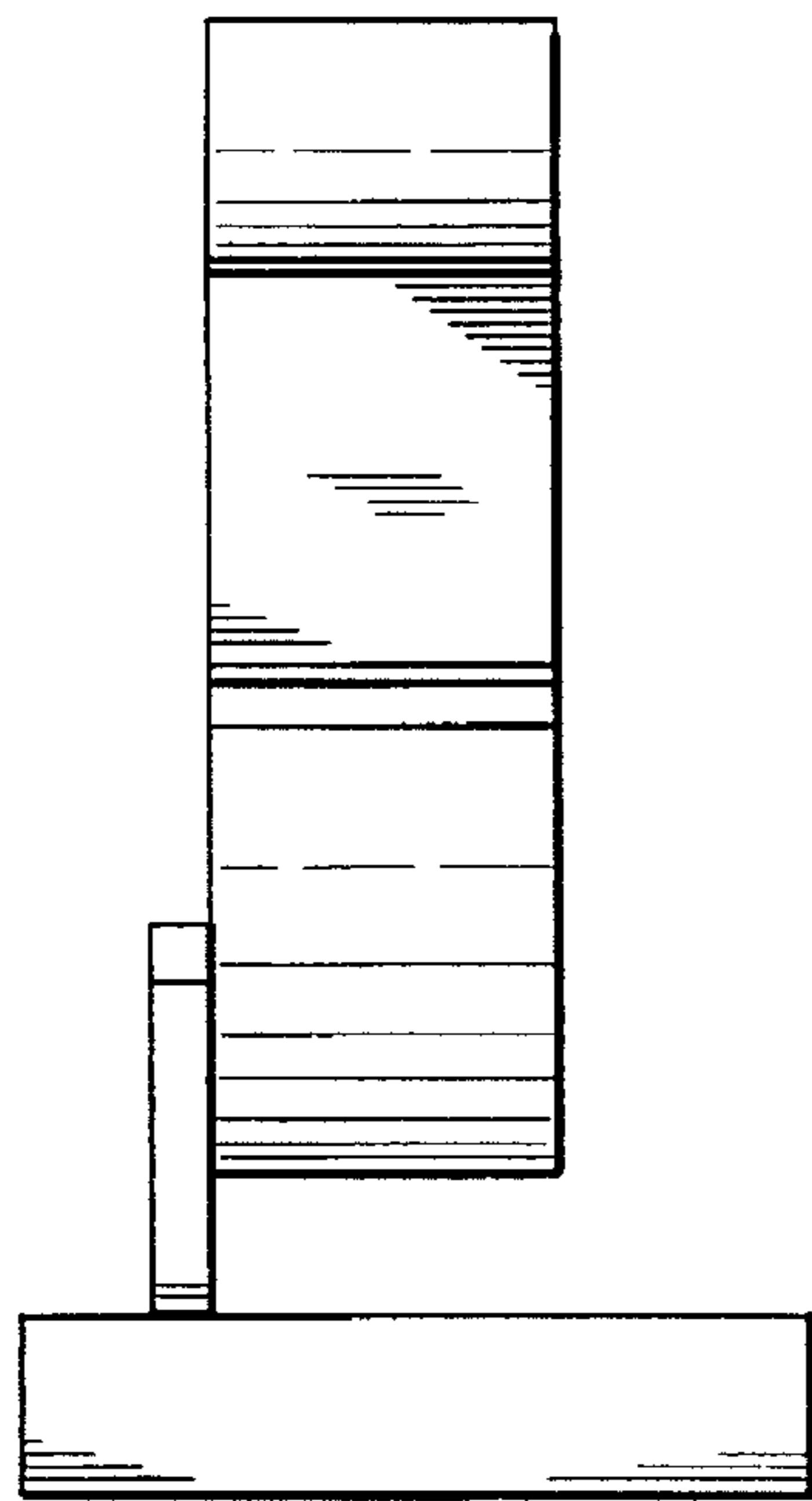


Fig.6

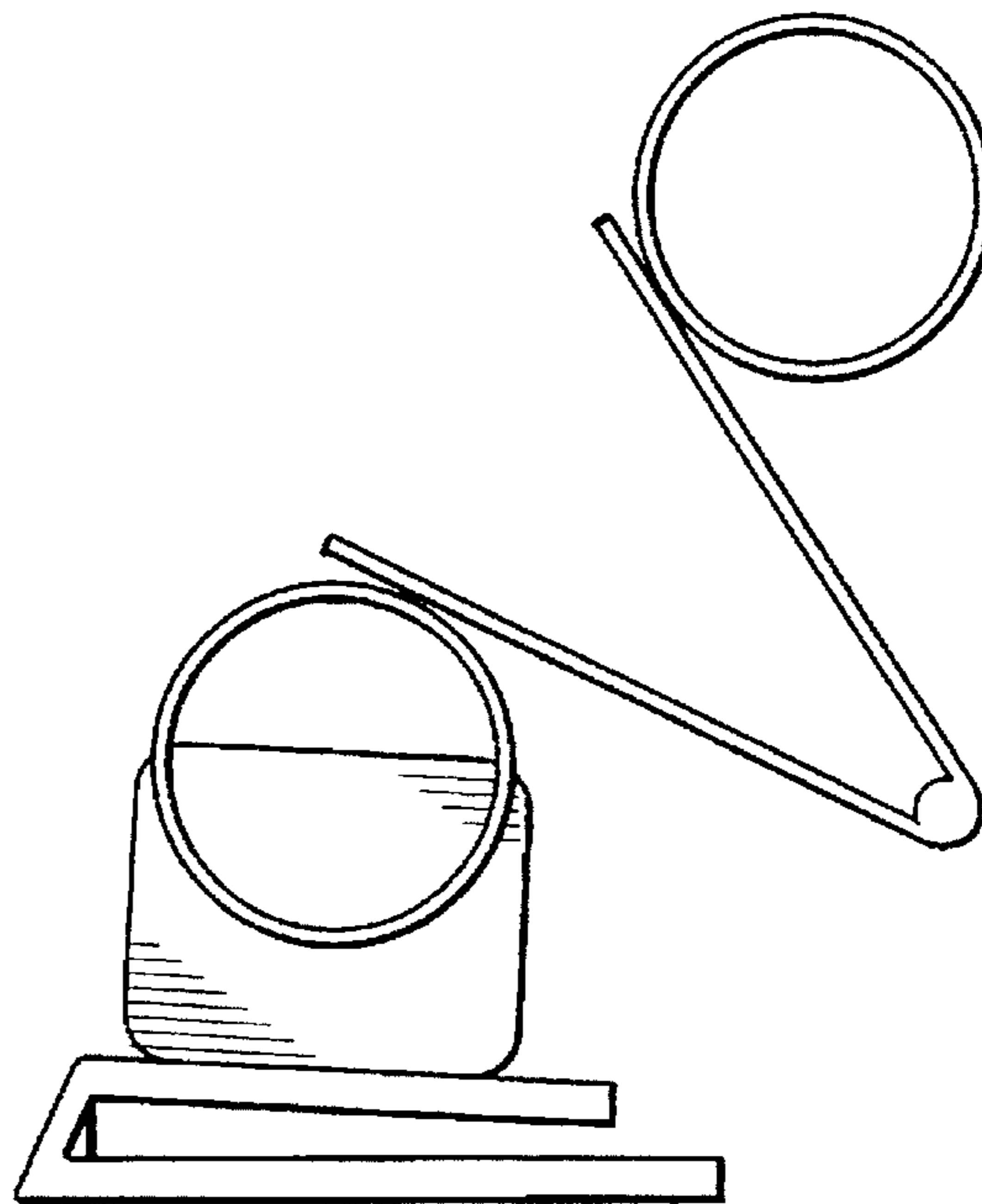


Fig.7

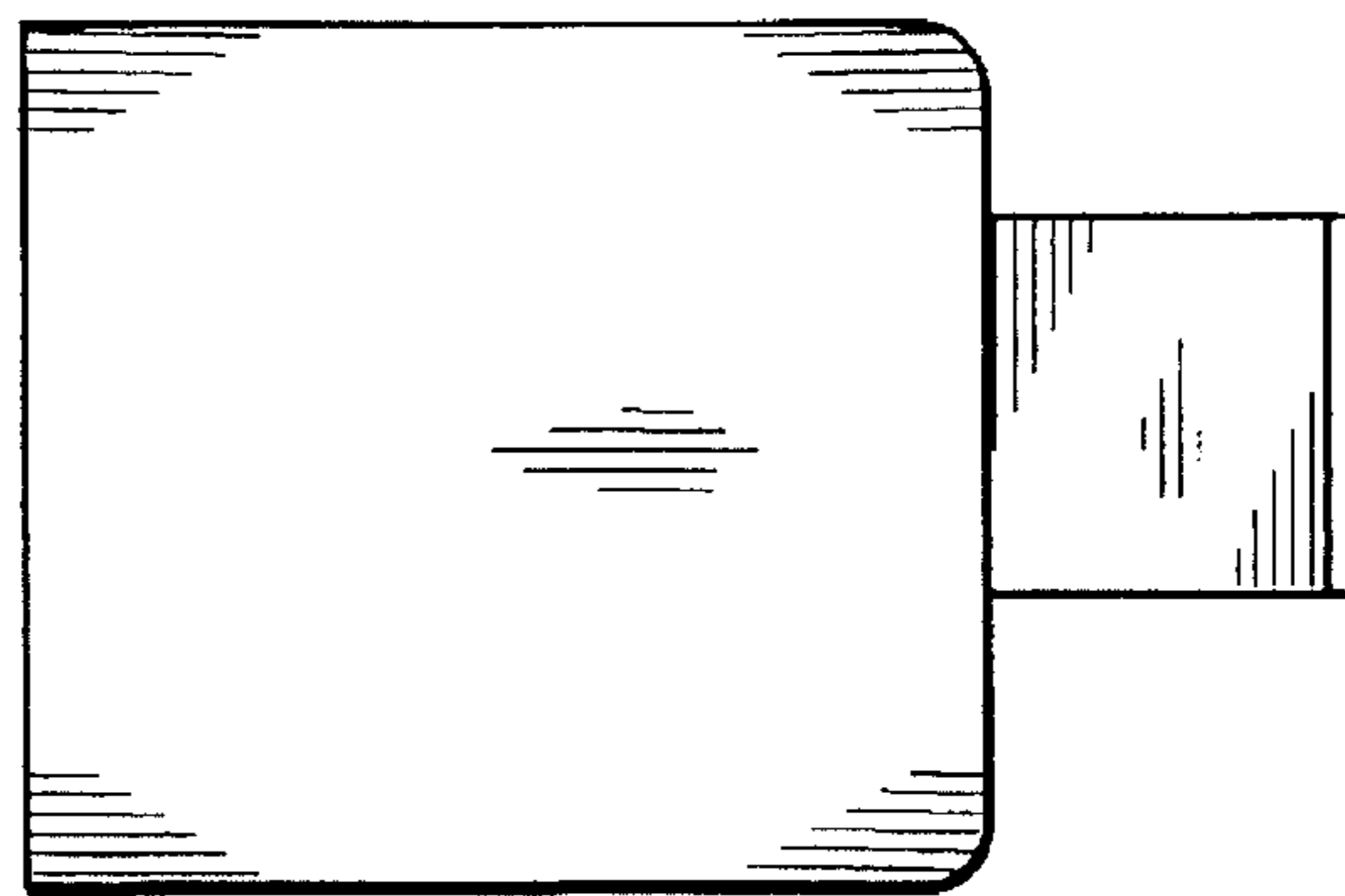


Fig.5