

US00D380911S

**United States Patent** [19]  
**Good**

[11] **Patent Number: Des. 380,911**

[45] **Date of Patent: \*\*Jul. 15, 1997**

[54] **BENCH**

D. 355,088 2/1995 Dobbs ..... D6/480  
2,907,375 10/1959 Gleitsman et al. .... 297/423.46

[76] **Inventor: Glendon Robert Good, 2000 Second St., Berkeley, Calif. 94710**

*Primary Examiner*—Janice E. Seeger

[\*\*] **Term: 14 Years**

[57] **CLAIM**

[21] **Appl. No.: 50,582**

The ornamental design for a bench, as shown and described.

[22] **Filed: Feb. 2, 1996**

**DESCRIPTION**

[51] **LOC (6) Cl. .... 06-01**

[52] **U.S. Cl. .... D6/349; D34/17; D6/480; D6/484**

[58] **Field of Search** ..... D6/349, 352, 353, D6/355, 480, 484; D34/17; 297/423.39, 423.41, 423.43, 423.44, 423.45, 423.46, 461, 462

FIG. 1 is a top plan view of a bench showing the new design;  
FIG. 2 is an side elevational view with the opposite side view being a mirror image thereof;

FIG. 3 is a bottom plan view thereof;

FIG. 4 is an end elevational view with the opposite end view being a mirror image thereof; and,

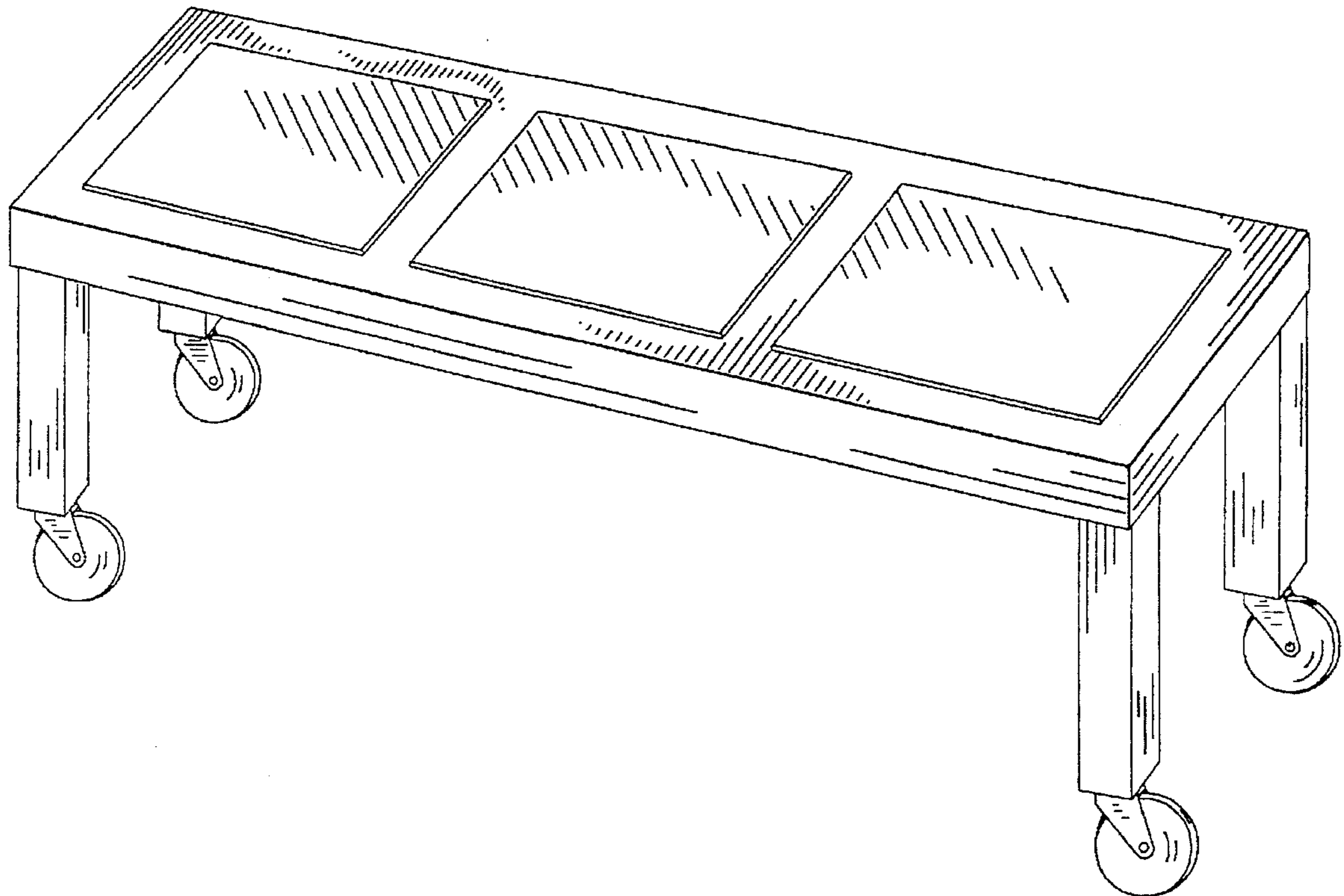
FIG. 5 is a perspective view thereof.

[56] **References Cited**

**U.S. PATENT DOCUMENTS**

D. 210,224 2/1968 Thom ..... D6/480

**1 Claim, 3 Drawing Sheets**



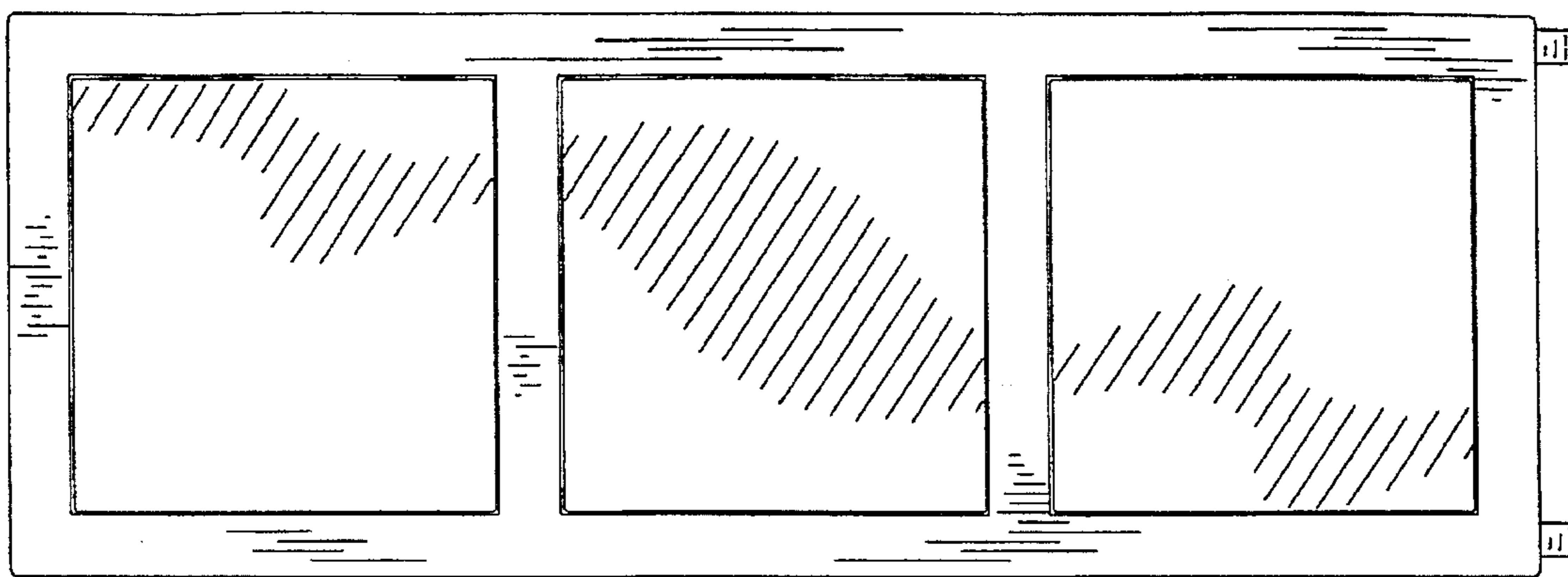


Fig. 1

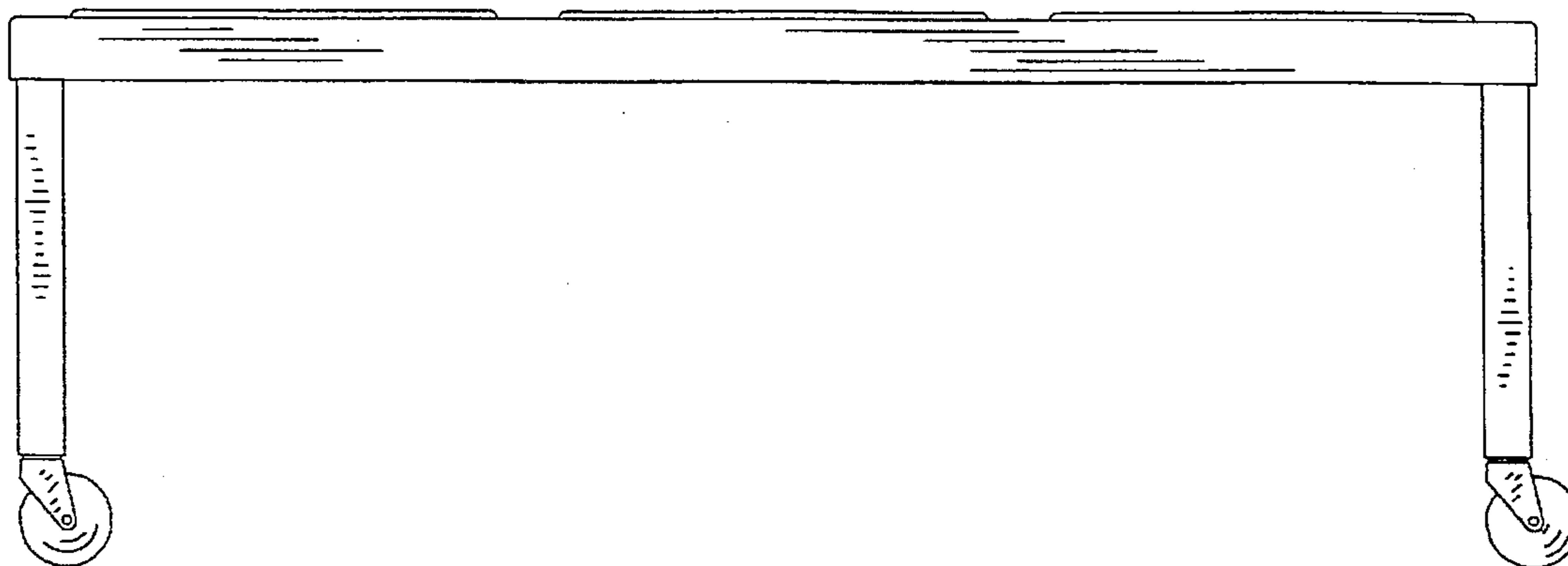


Fig. 2

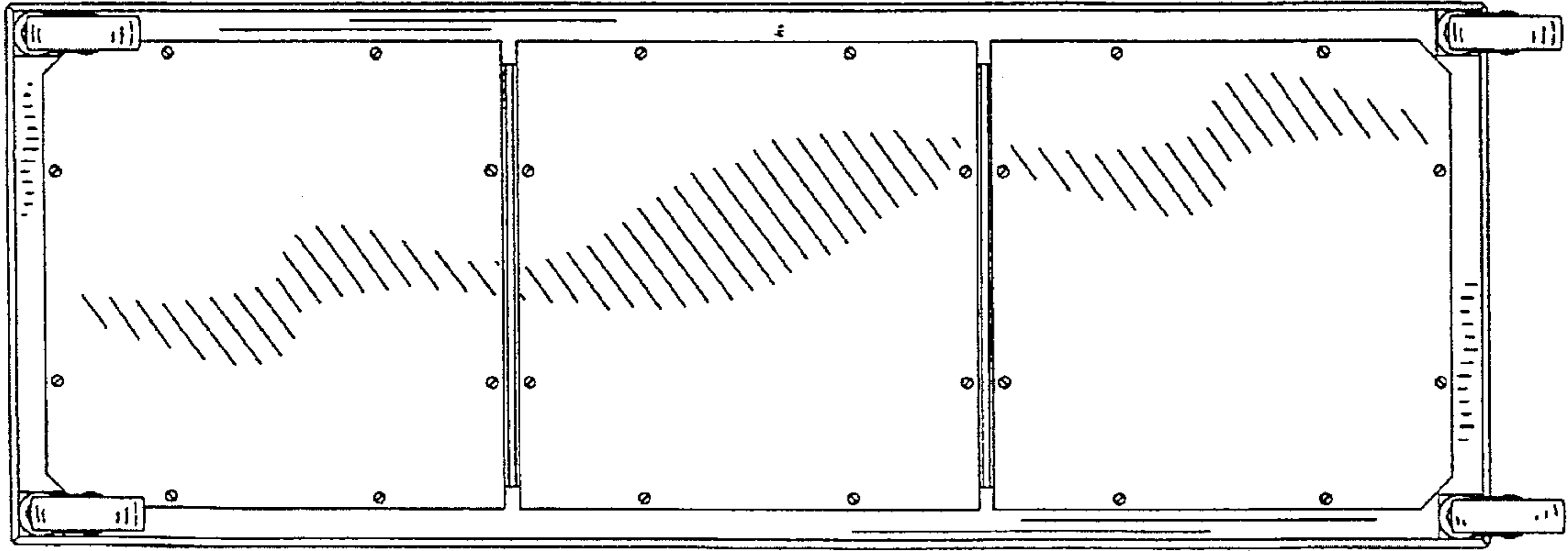


Fig. 3

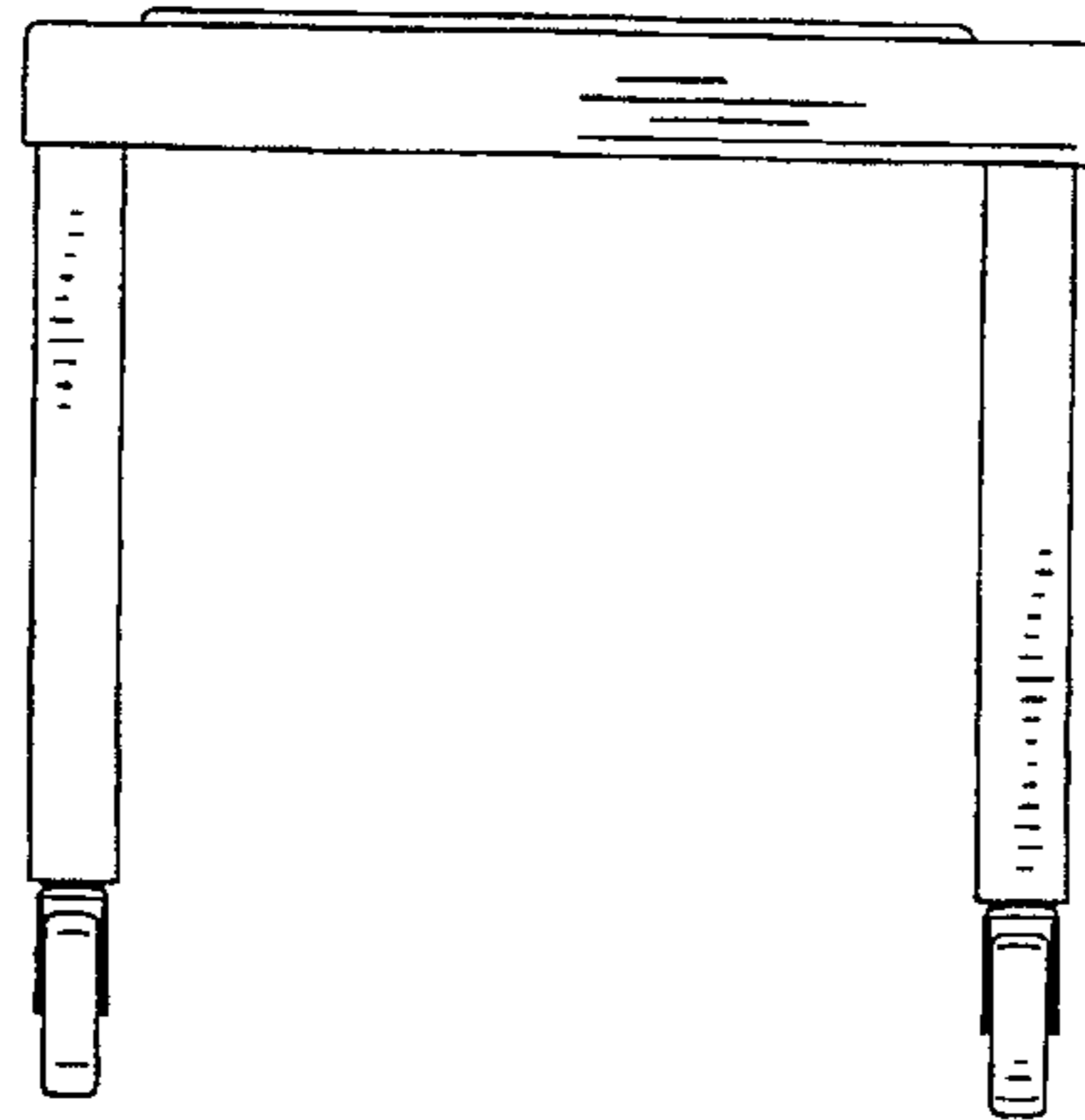
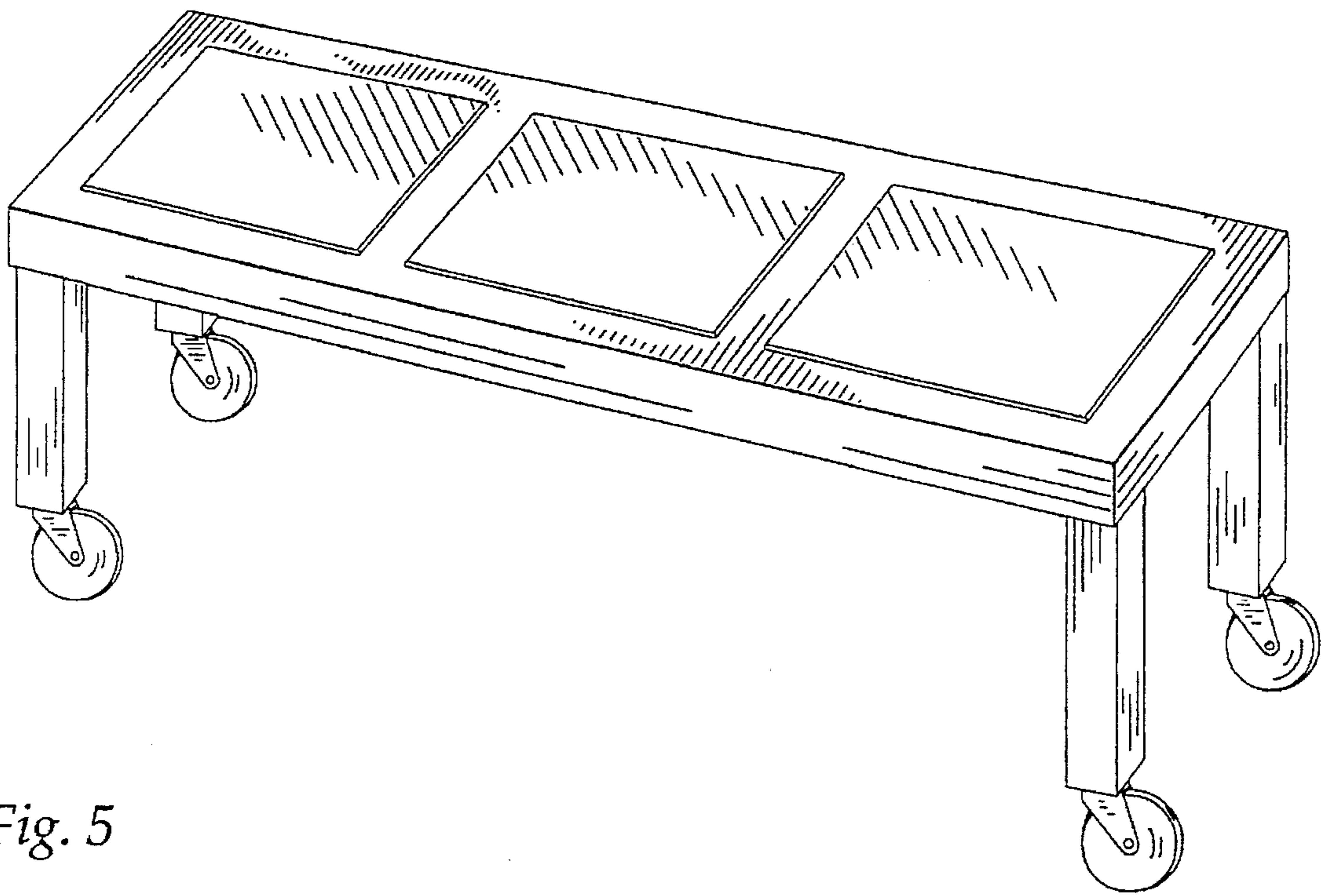


Fig. 4



*Fig. 5*