



US00D380910S

United States Patent [19]

LeSourd et al.

[11] Patent Number: **Des. 380,910**

[45] Date of Patent: ****Jul. 15, 1997**

[54] CHAIR

[75] Inventors: **John C. LeSourd**, Bellevue; **Michael C. Goode**, Kirkland; **Curtis L. Ohrt**, Redmond; **Terrence J. Kelly**, Woodinville, all of Wash.

[73] Assignee: **Allegro Innovations, Inc.**, Woodinville, Wash.

[**] Term: **14 Years**

[21] Appl. No.: **46,576**

[22] Filed: **Oct. 6, 1995**

[51] LOC (6) Cl. **06-01**

[52] U.S. Cl. **D6/338; D6/341; D6/360**

[58] Field of Search **D6/334, 335, 336, D6/338, 341, 360, 367, 373, 374, 375, 379, 500, 501, 502; 297/173, 174, 188.21, 423.38**

[56] **References Cited**

U.S. PATENT DOCUMENTS

D. 48,941 4/1916 Klemm D6/341

D. 207,262	3/1967	Maurer et al.	D6/341
D. 250,230	11/1978	Kotula	D6/341
D. 283,286	4/1986	Wenger	D6/360
D. 327,375	6/1992	Cooper	D6/338
D. 332,703	1/1993	Gulliver	D6/338
4,591,206	5/1986	Pribble	D6/501 X

Primary Examiner—Gary D. Watson
Attorney, Agent, or Firm—Robert M. Storwick

[57] **CLAIM**

The ornamental design for a chair, as shown and described.

DESCRIPTION

FIG. 1 is a top, front and right side perspective view showing our new design;
FIG. 2 is a front elevational view of our new design;
FIG. 3 is a back elevational view of our new design;
FIG. 4 is a right side elevational view of our new design;
FIG. 5 is a left side elevational view of our new design;
FIG. 6 is a top plan view of our new design; and
FIG. 7 is a bottom plan view of our new design; and
FIG. 8 is a left side elevational view thereof, showing our new design in a reclined position.

1 Claim, 3 Drawing Sheets

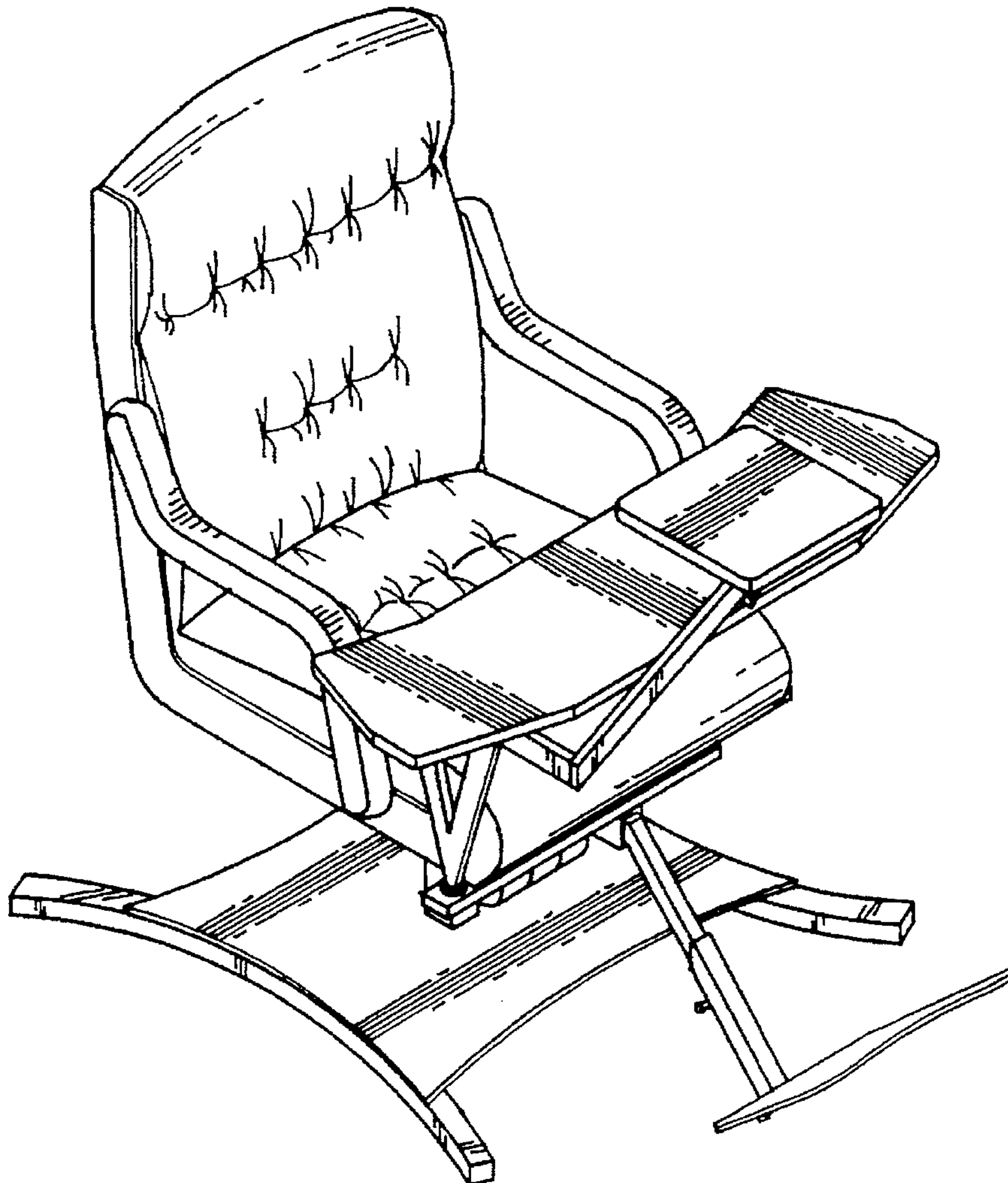


FIG. 1

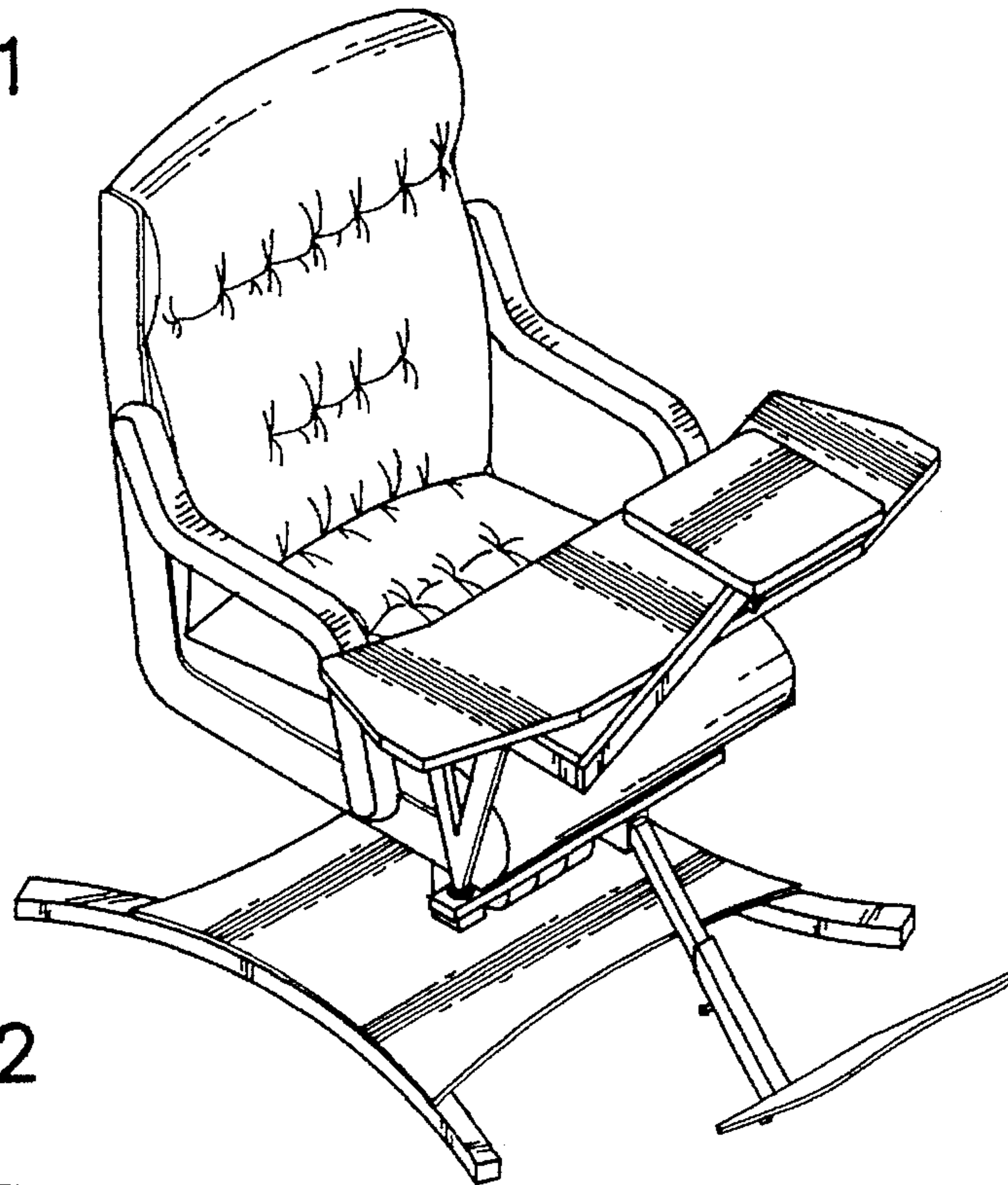


FIG. 2

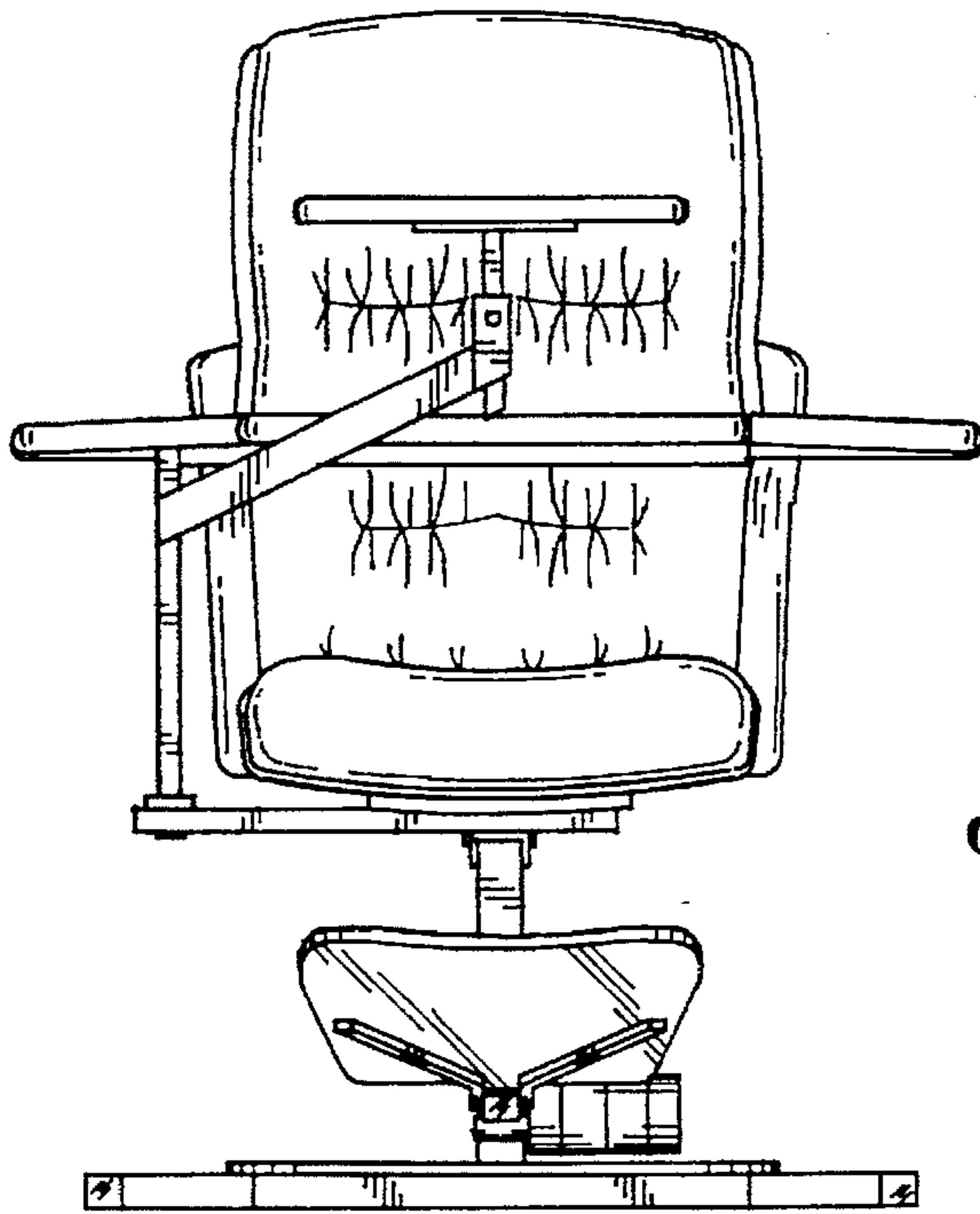


FIG. 3

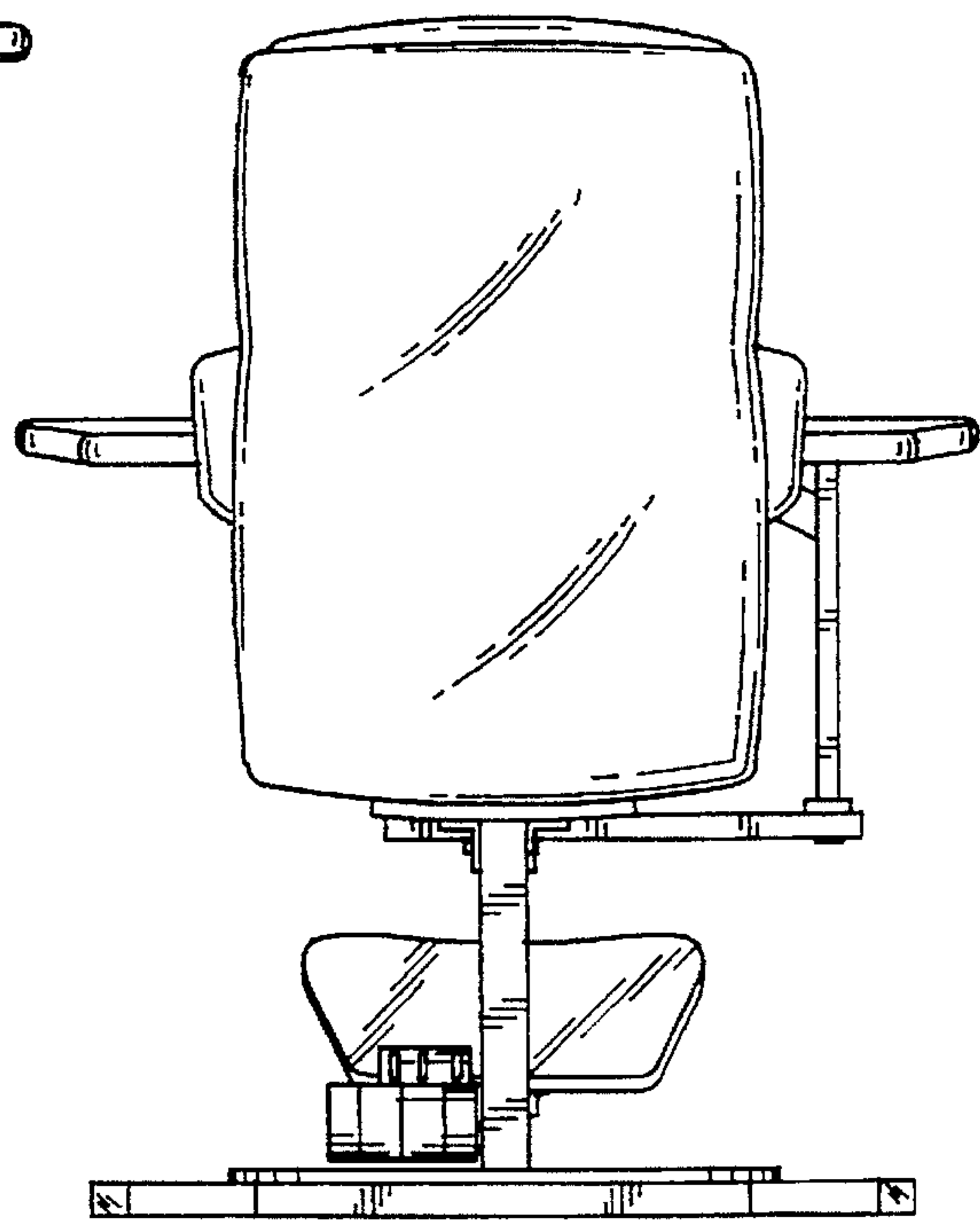


FIG. 4

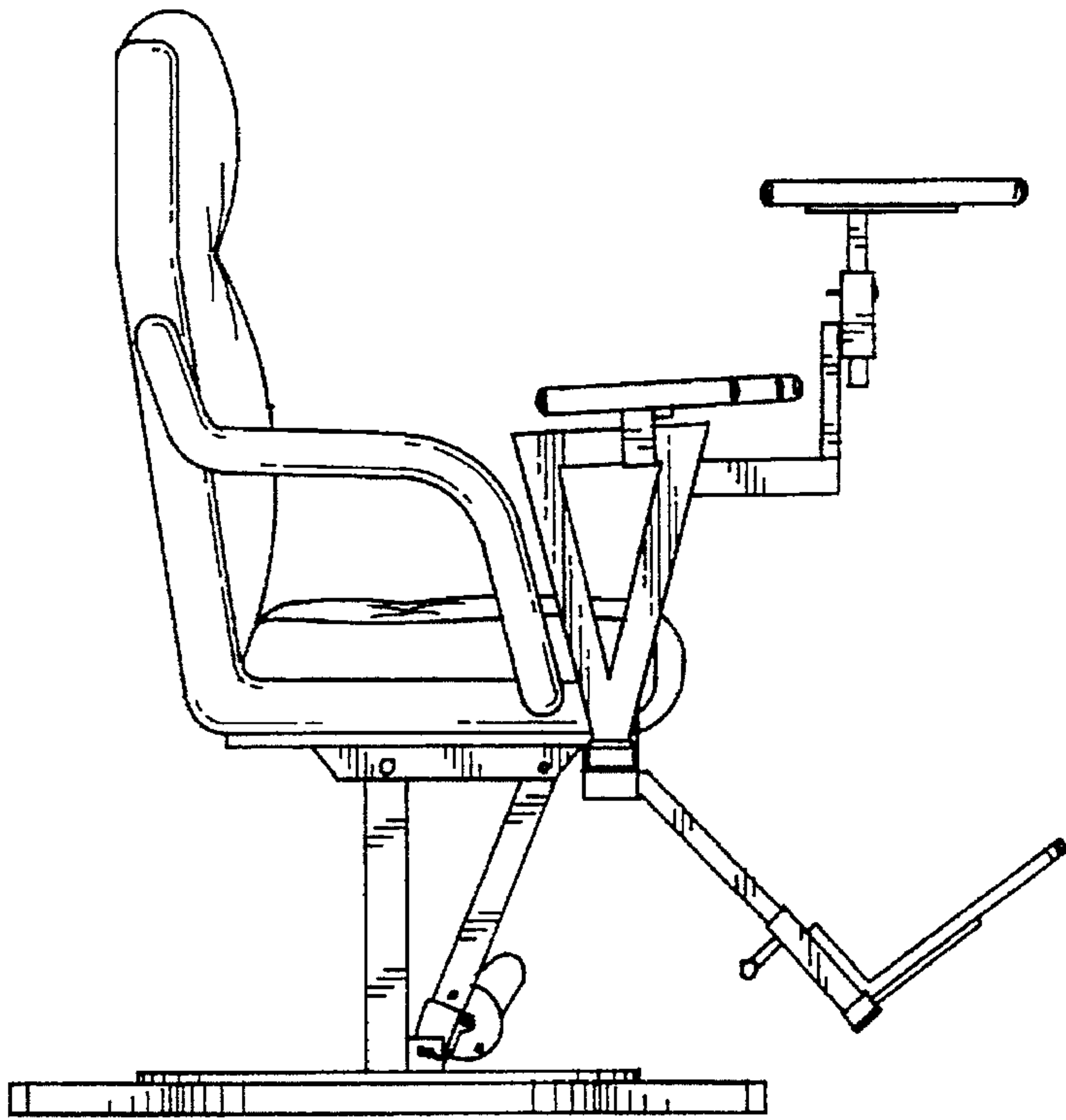


FIG. 5

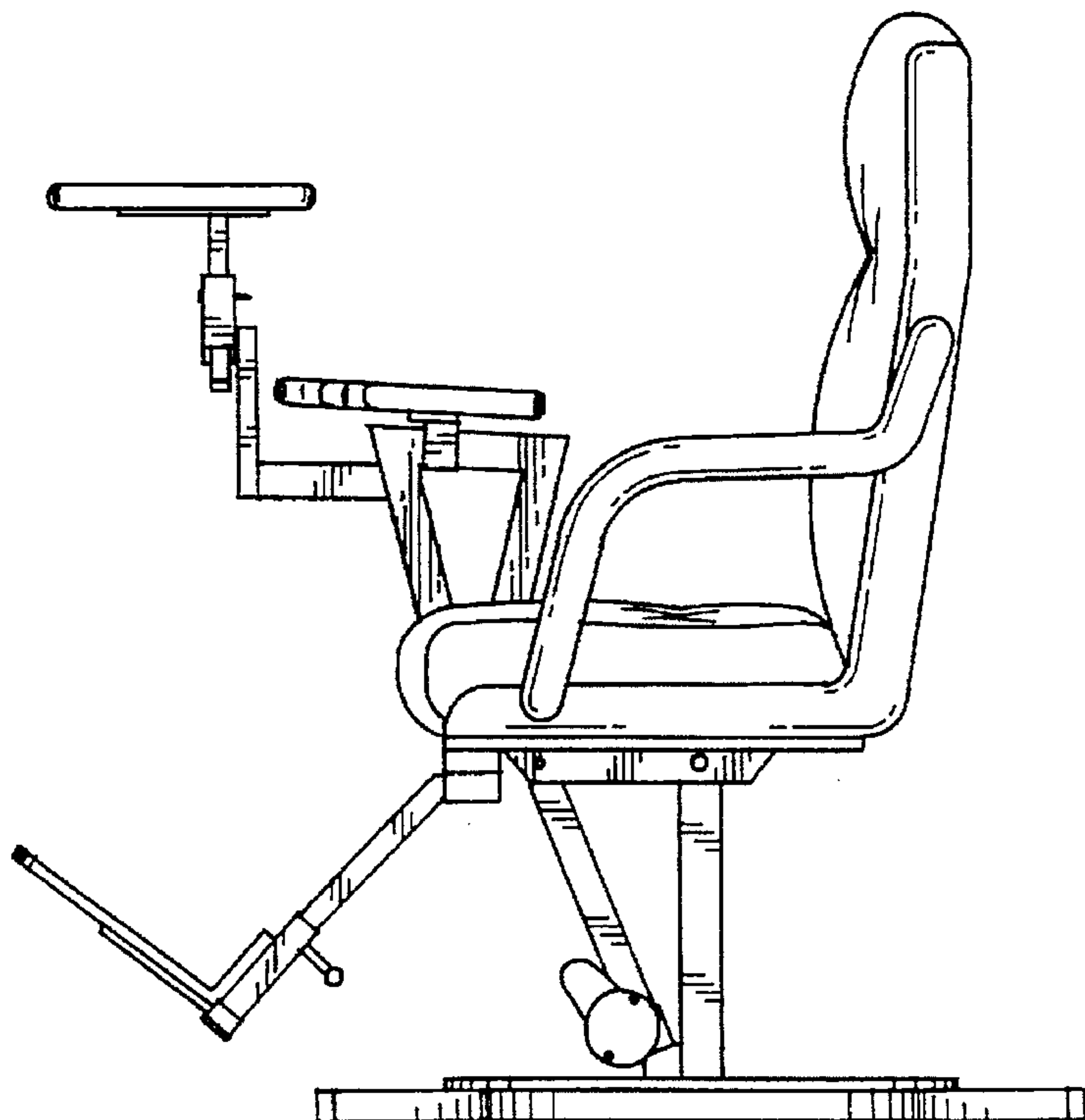


FIG. 7

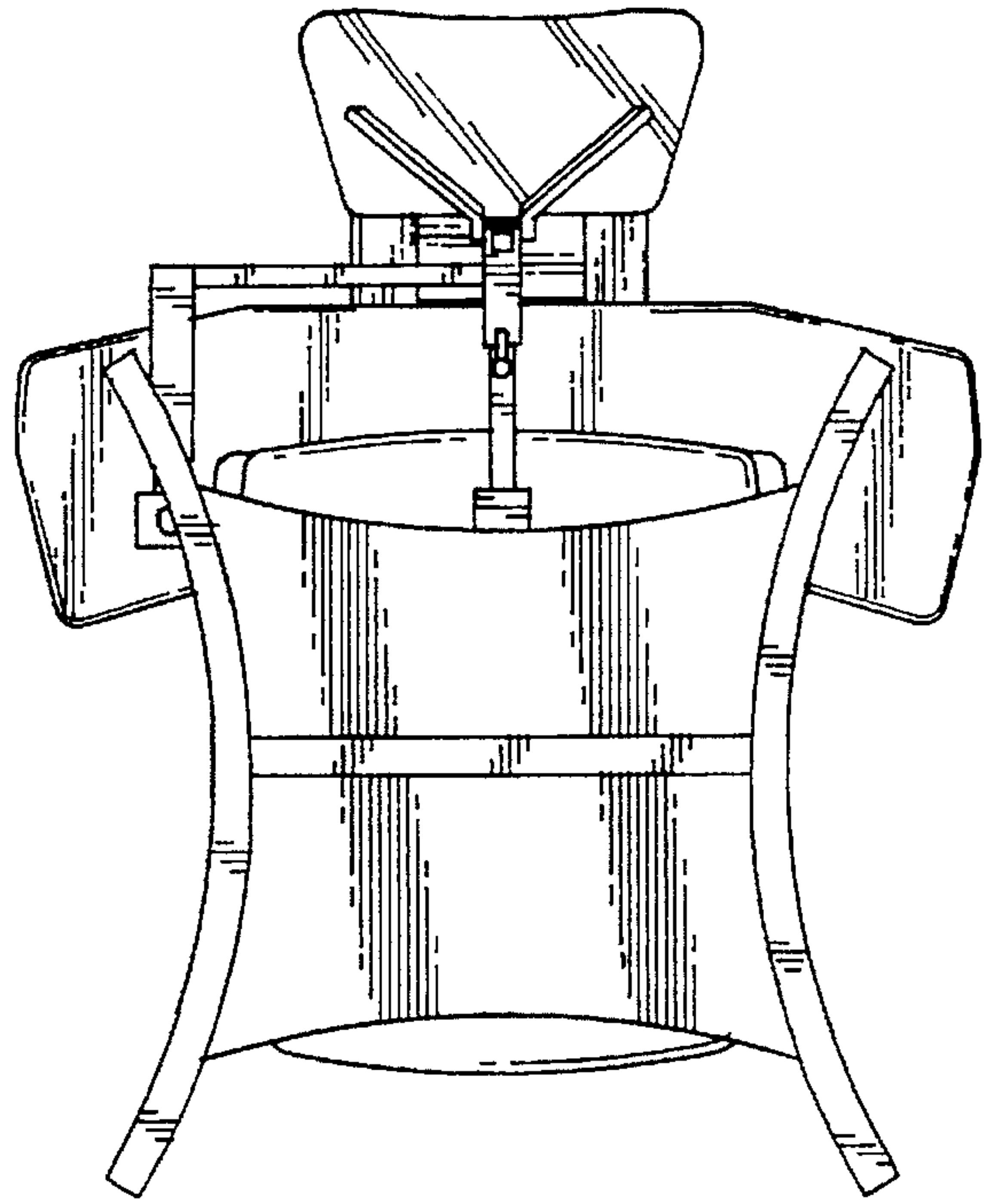


FIG. 6

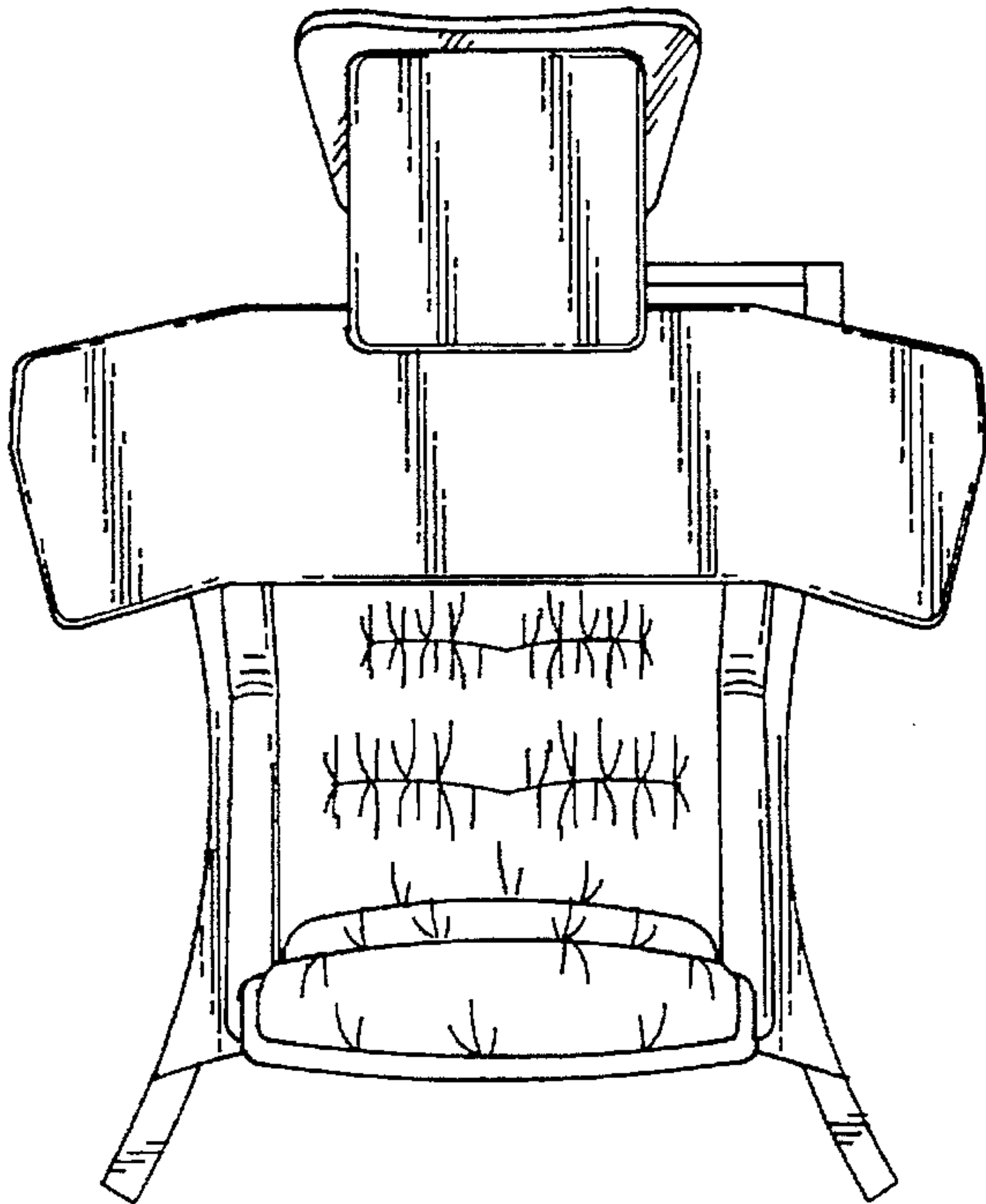
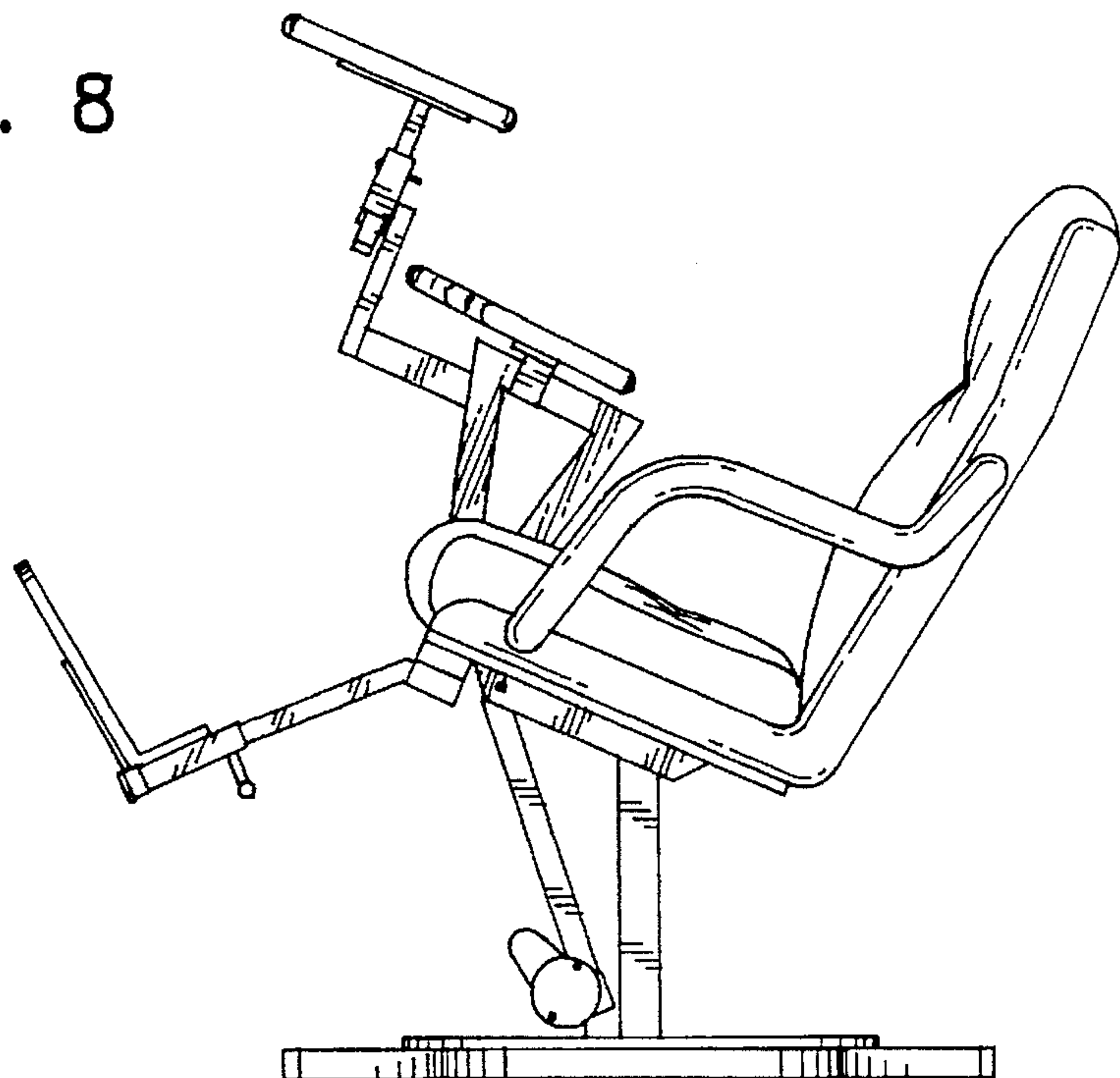


FIG. 8



UNITED STATES PATENT AND TRADEMARK OFFICE
CERTIFICATE OF CORRECTION

PATENT NO. : Des. 380,910
DATED : October 8, 1985
INVENTOR(S) : Toshio Fujikura

It is certified that error appears in the above-identified patent and that said Letters Patent is hereby corrected as shown below:

Please insert the foreign application priority information as follows:

--[30] Foreign Application Priority Data

Sept. 16, 1982 [JP] Japan57-42207 --

Signed and Sealed this
Tenth Day of March, 1998

Attest:



BRUCE LEHMAN

Attesting Officer

Commissioner of Patents and Trademarks

UNITED STATES PATENT AND TRADEMARK OFFICE
CERTIFICATE OF CORRECTION

PATENT NO. : D 380,910

DATED : July 15, 1997

INVENTOR(S) : John C. Lesourd, et al

It is certified that error appears in the above-identified patent and that said Letters Patent is hereby corrected as shown below:

This certificate supersedes Certificate of Correction issued March 10, 1998, the number was erroneously mentioned and should be deleted since no Certificate of Correction was granted.

Signed and Sealed this
Twenty-eighth Day of July, 1998

Attest:



BRUCE LEHMAN

Attesting Officer

Commissioner of Patents and Trademarks