



US00D380908S

**United States Patent** [19]  
**Gleason**

[11] **Patent Number: Des. 380,908**

[45] **Date of Patent: \*\*Jul. 15, 1997**

[54] **CHAIR**

[75] Inventor: **Erel M. Gleason**, Atherton, Calif.

[73] Assignee: **Summer Hill Ltd.**, Redwood City, Calif.

[\*\*] Term: **14 Years**

[21] Appl. No.: **49,564**

[22] Filed: **Jan. 29, 1996**

[51] **LOC (6) Cl. .... 06-01**

[52] **U.S. Cl. .... D6/334**

[58] **Field of Search ..... D6/334, 335, 374, D6/375, 381, 500, 501, 502; 297/445.1**

[56] **References Cited**

**U.S. PATENT DOCUMENTS**

- D. 354,866 1/1995 Jordan ..... D6/334
- D. 367,365 2/1996 Hutton ..... D6/334

**OTHER PUBLICATIONS**

- Furniture Specialties Corp., Chair #1418 at right.
- Bloomington's, Jan. 24, 1991, p. 14, Chair shown.
- Bloomington's, Jan. 24, 1991, p. 15, Chair in Frame "F", second down on left.
- Bloomington's, Jun. 1994, p. 6, Chair at top left.

*Primary Examiner*—Gary D. Watson  
*Attorney, Agent, or Firm*—Heslin & Rothenberg, P.C.

[57] **CLAIM**

The ornamental design for a chair, as shown and described.

**DESCRIPTION**

FIG. 1 is a top plan view of a chair embodying the claimed ornamental design;

FIG. 2 is a front elevational view of a chair embodying the claimed ornamental design;

FIG. 3 is a side elevational view of a chair embodying the claimed ornamental design;

FIG. 4 is a bottom view of a chair embodying the claimed ornamental design;

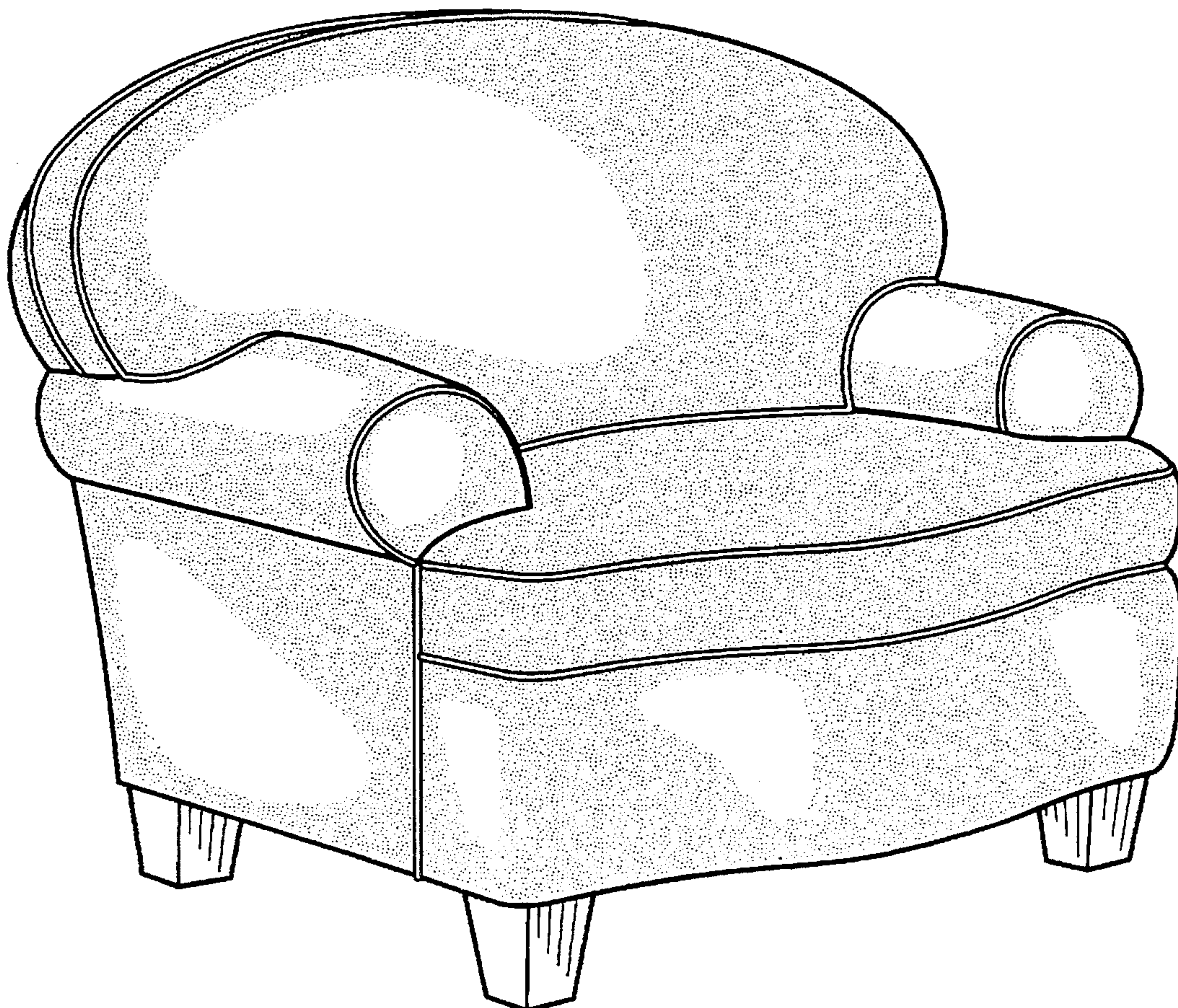
FIG. 5 is a rear elevational view of a chair embodying the claimed ornamental design;

FIG. 6 is a perspective view of a chair embodying the claimed ornamental design; and,

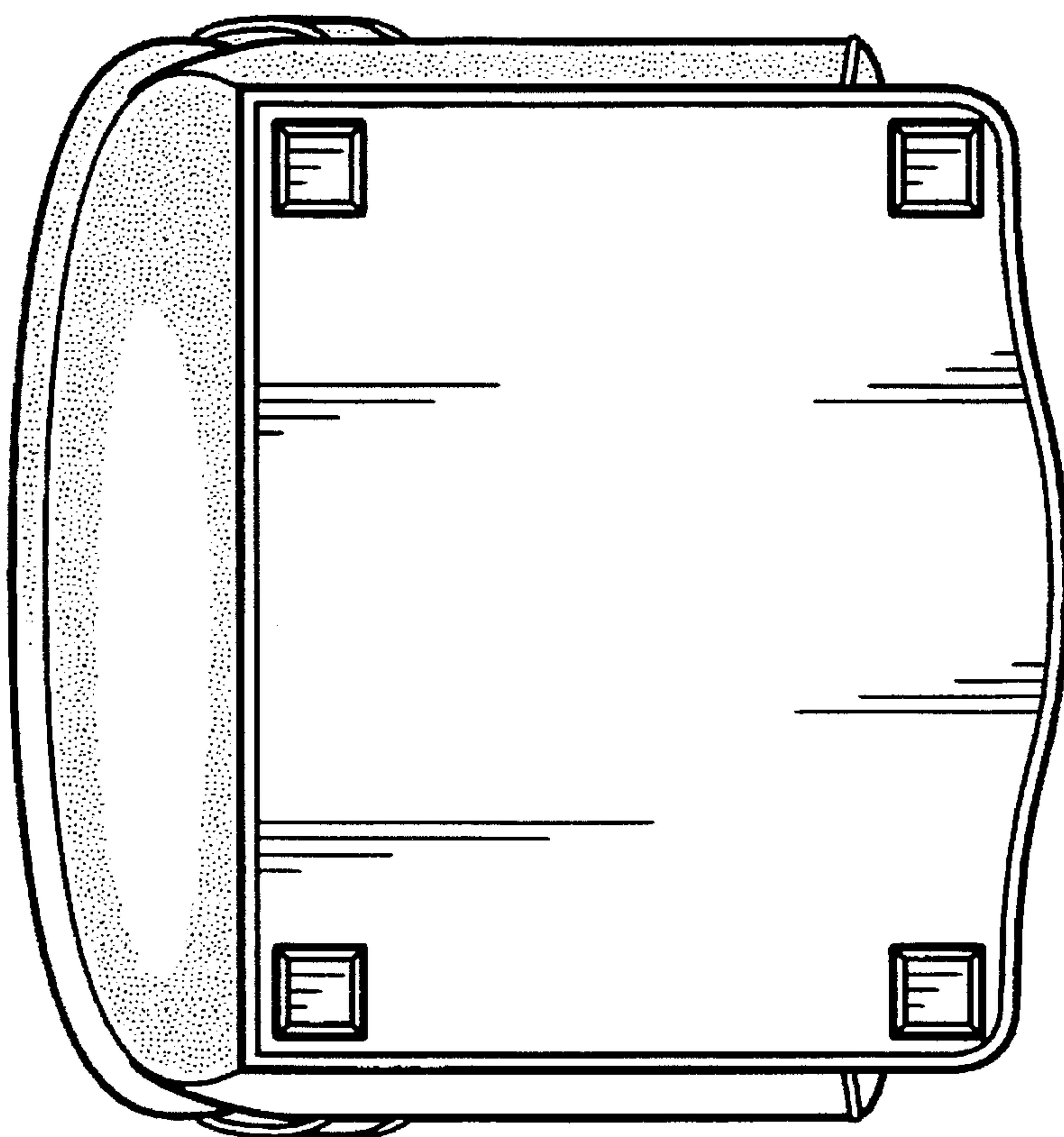
FIG. 7 is a perspective view of a chair showing a second embodiment of the design, the only differences being the omission of welting, the non-removable seat cushion and the cushionless backrest.

FIG. 6 and 7 have been shown on an enlarged scale with respect to FIGS. 1 through 5.

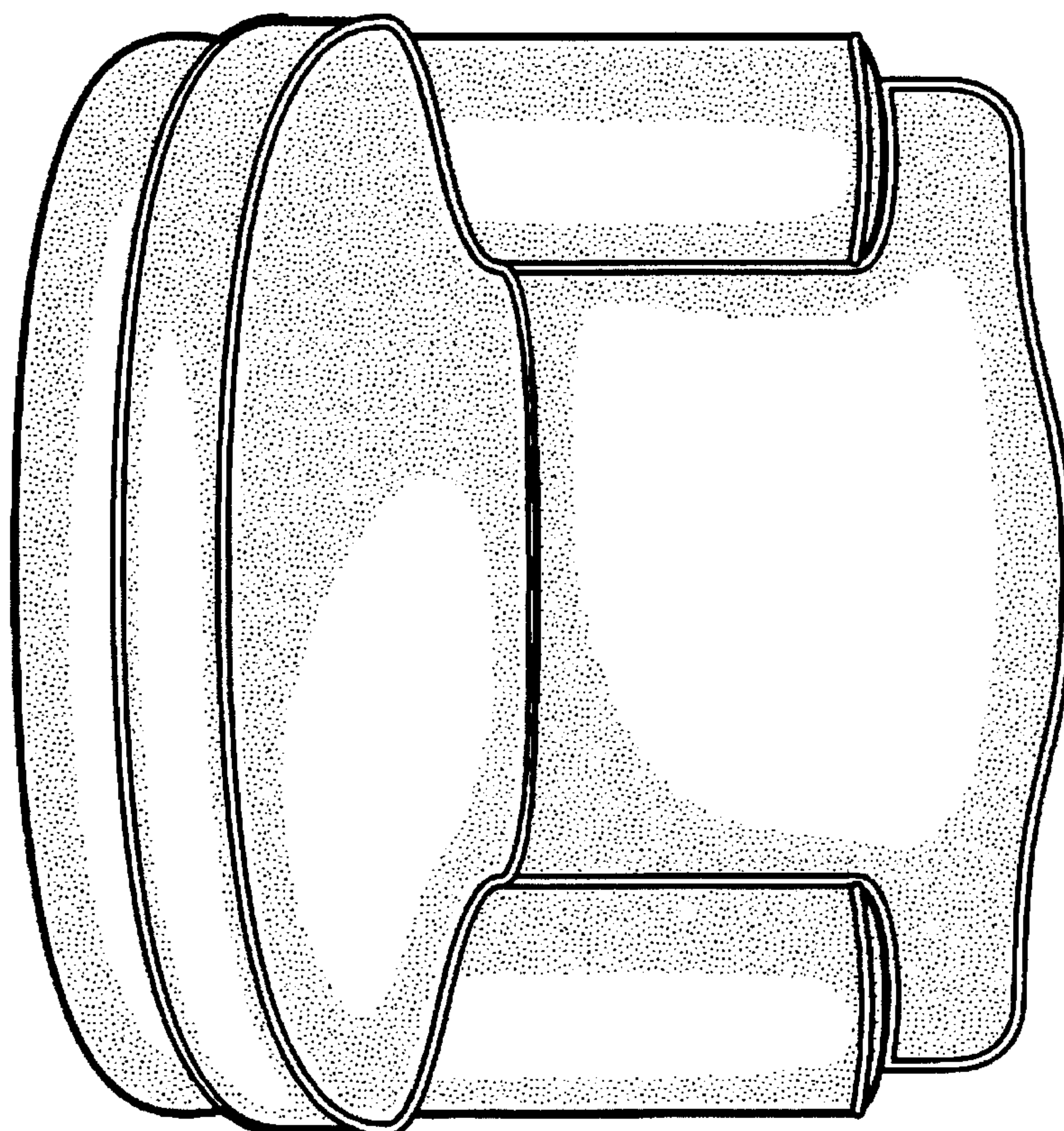
**1 Claim, 5 Drawing Sheets**



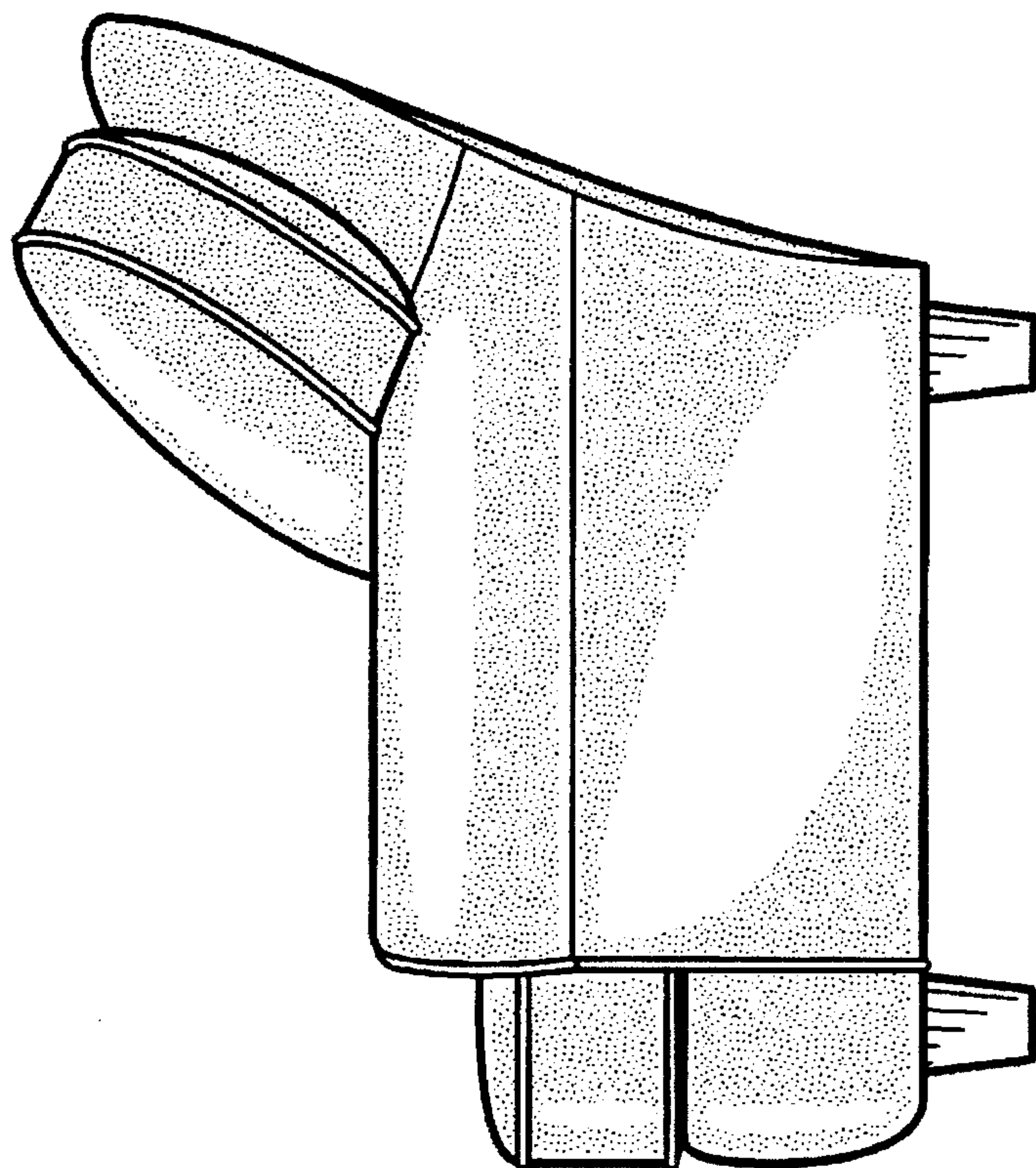




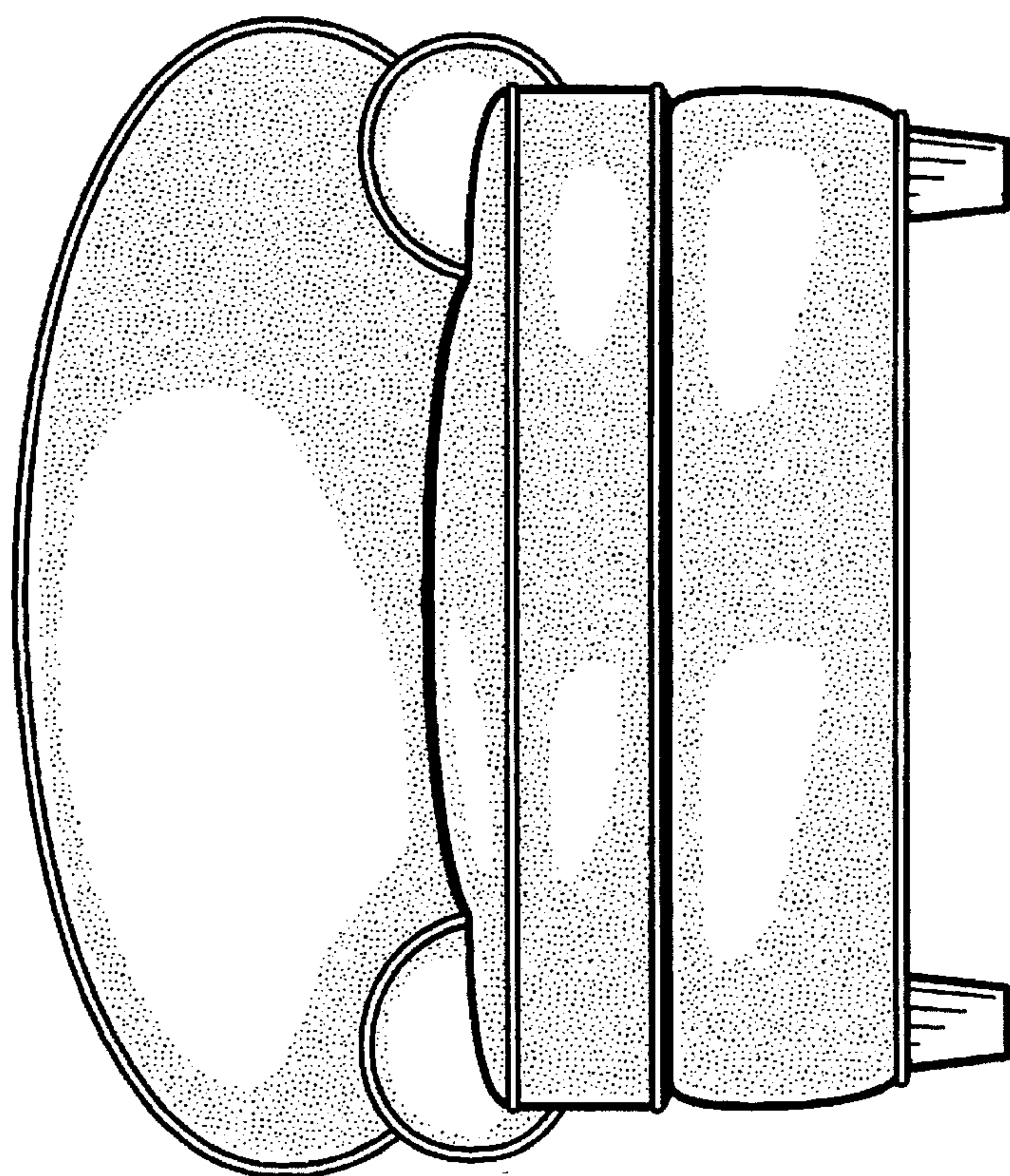
**FIG. 4**



**FIG. 1**

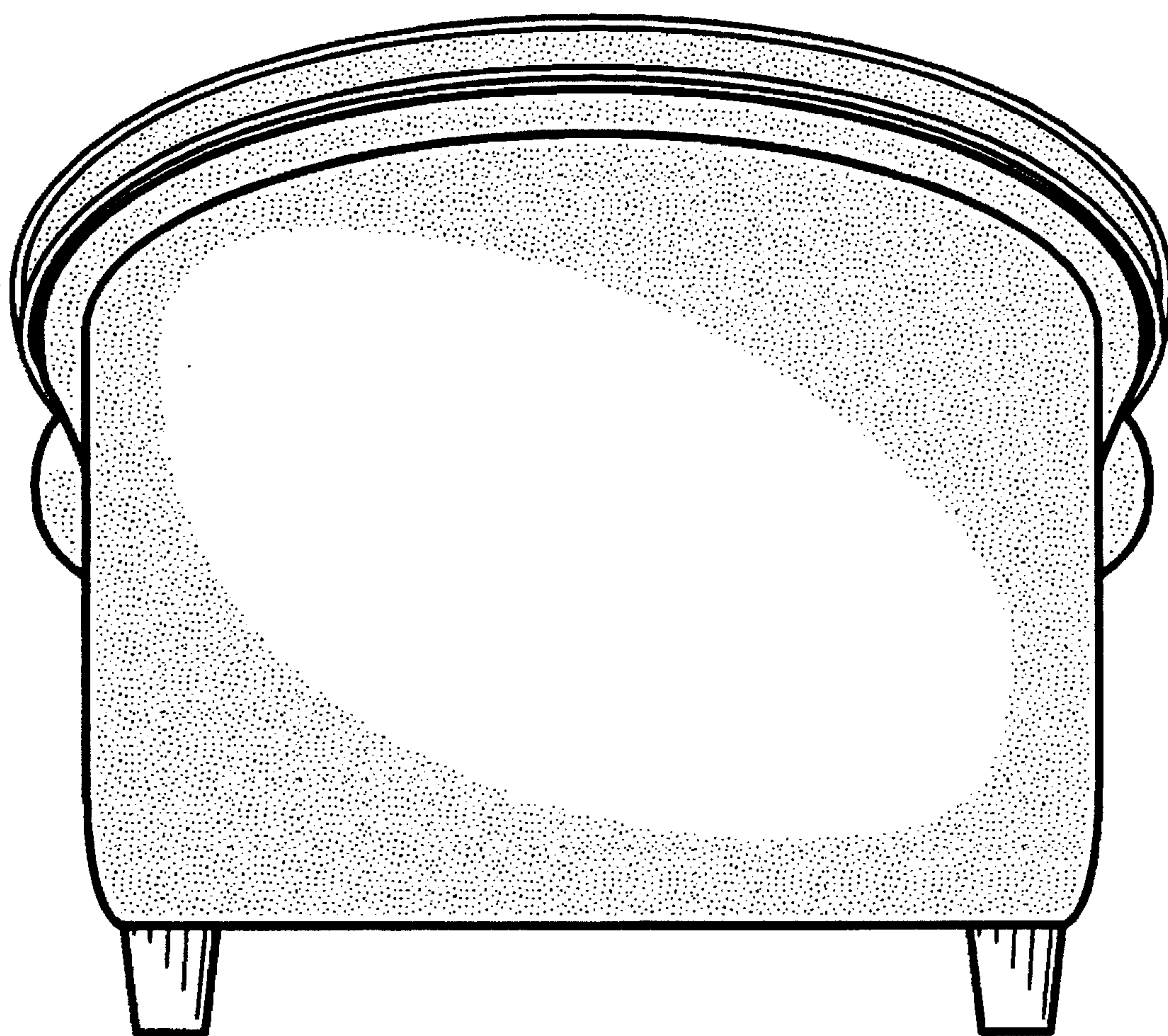


**FIG. 3**



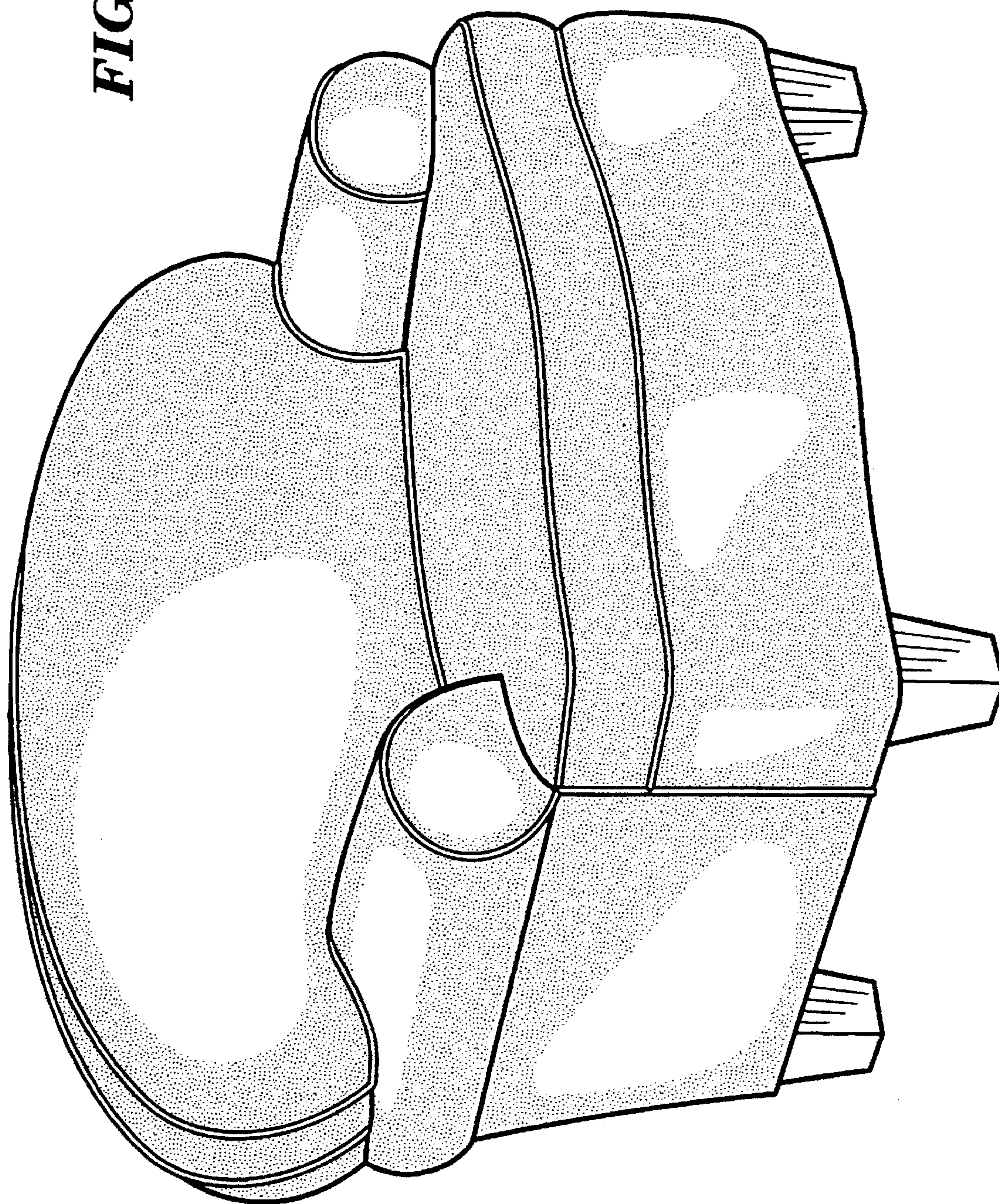
**FIG. 2**





**FIG. 5**

**FIG. 6**





**FIG. 7**

