



US00D380907S

United States Patent [19]
Chandler

[11] **Patent Number:** **Des. 380,907**

[45] **Date of Patent:** ****Jul. 15, 1997**

[54] **CHAIR**

D. 236,304 8/1975 Fisher D6/334

[75] Inventor: **David Paul Chandler**, Jamestown,
N.C.

OTHER PUBLICATIONS

Ethan Allen, p. 131, Chair at mid-page right.

[73] Assignee: **Henredon Furniture Industries, Inc.**,
Morganton, N.C.

Primary Examiner—Gary D. Watson

Attorney, Agent, or Firm—Edgar A. Zarins; Malcolm L.
Sutherland

[**] Term: **14 Years**

[57] **CLAIM**

[21] Appl. No.: **49,295**

The ornamental design for a chair, as shown and described.

[22] Filed: **Jan. 22, 1996**

DESCRIPTION

[51] LOC (6) Cl. **06-01**

[52] U.S. Cl. **D6/334**

[58] Field of Search D6/334, 335, 336,
D6/364, 371, 373, 374, 375, 381, 500,
501, 502; 297/445.1

FIG. 1 is a perspective view of a chair showing my new design;

FIG. 2 is a front elevation view thereof;

FIG. 3 is a top plan view thereof; and,

FIG. 4 is a left side view thereof, the opposite side being a mirror image of the side shown.

The rear of the chair does not form part of the claimed design.

[56] **References Cited**

U.S. PATENT DOCUMENTS

- D. 80,624 3/1930 Havel D6/334
- D. 90,489 8/1933 Kirkpatrick D6/334

1 Claim, 2 Drawing Sheets

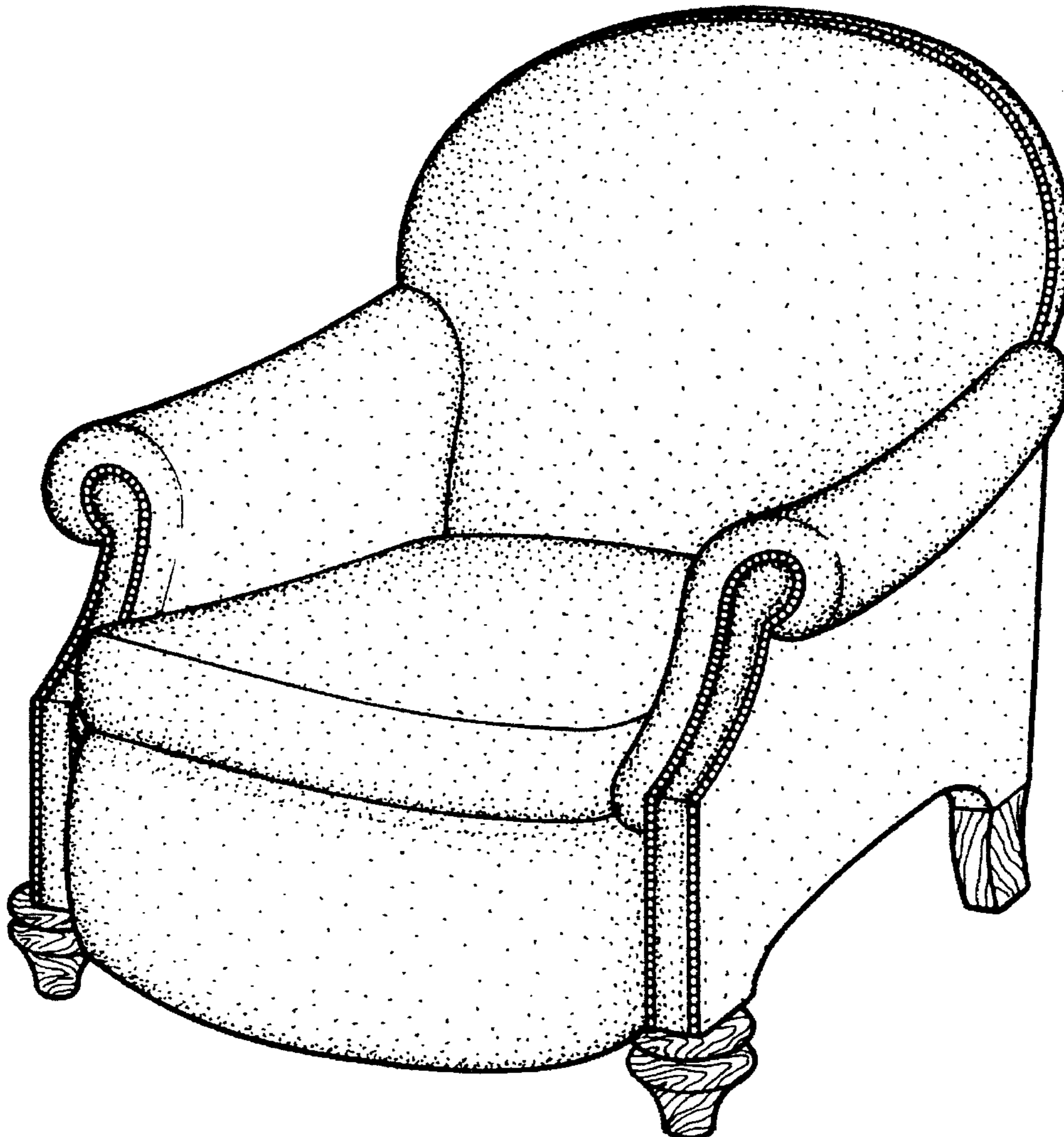


Fig - 2

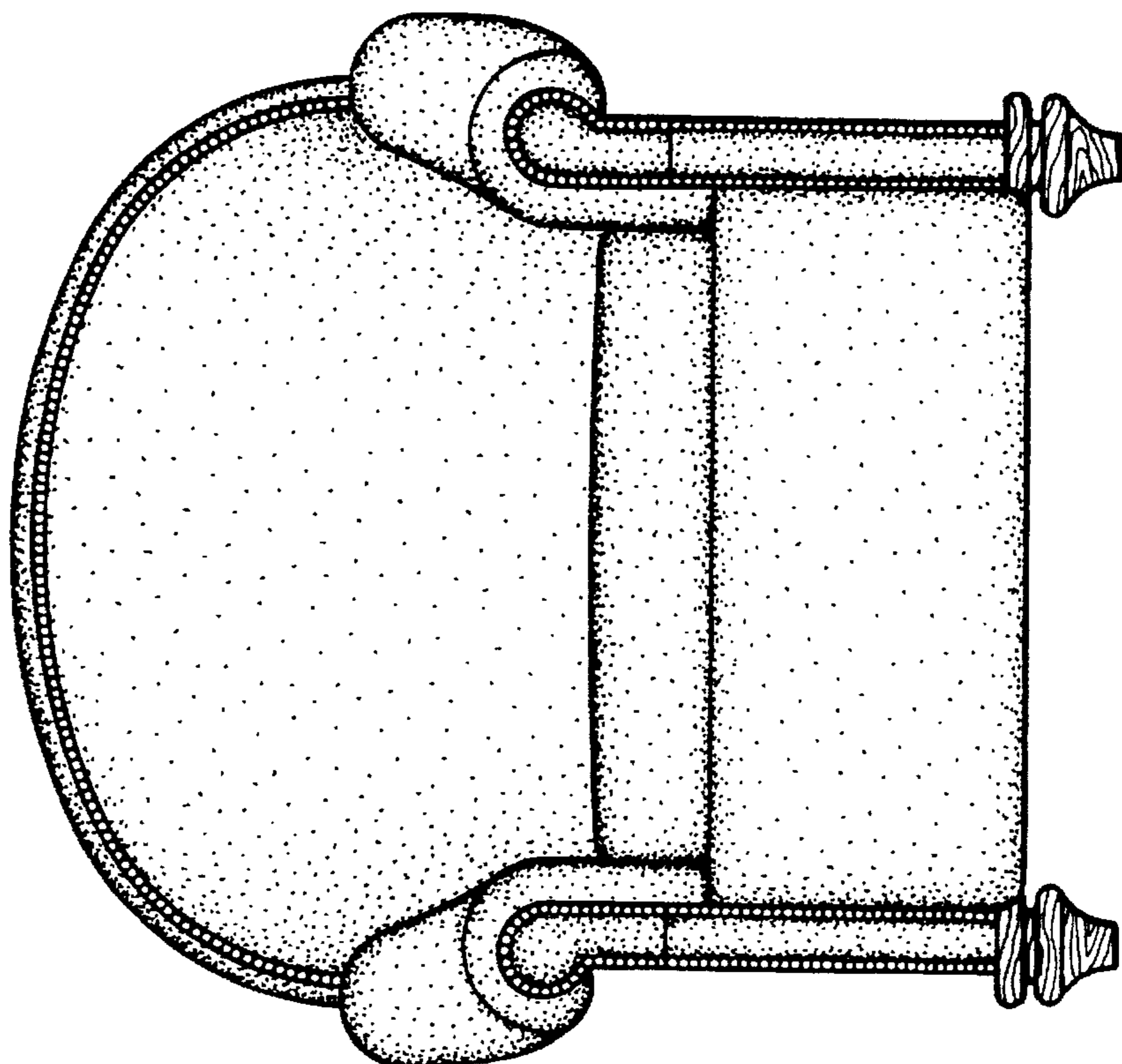
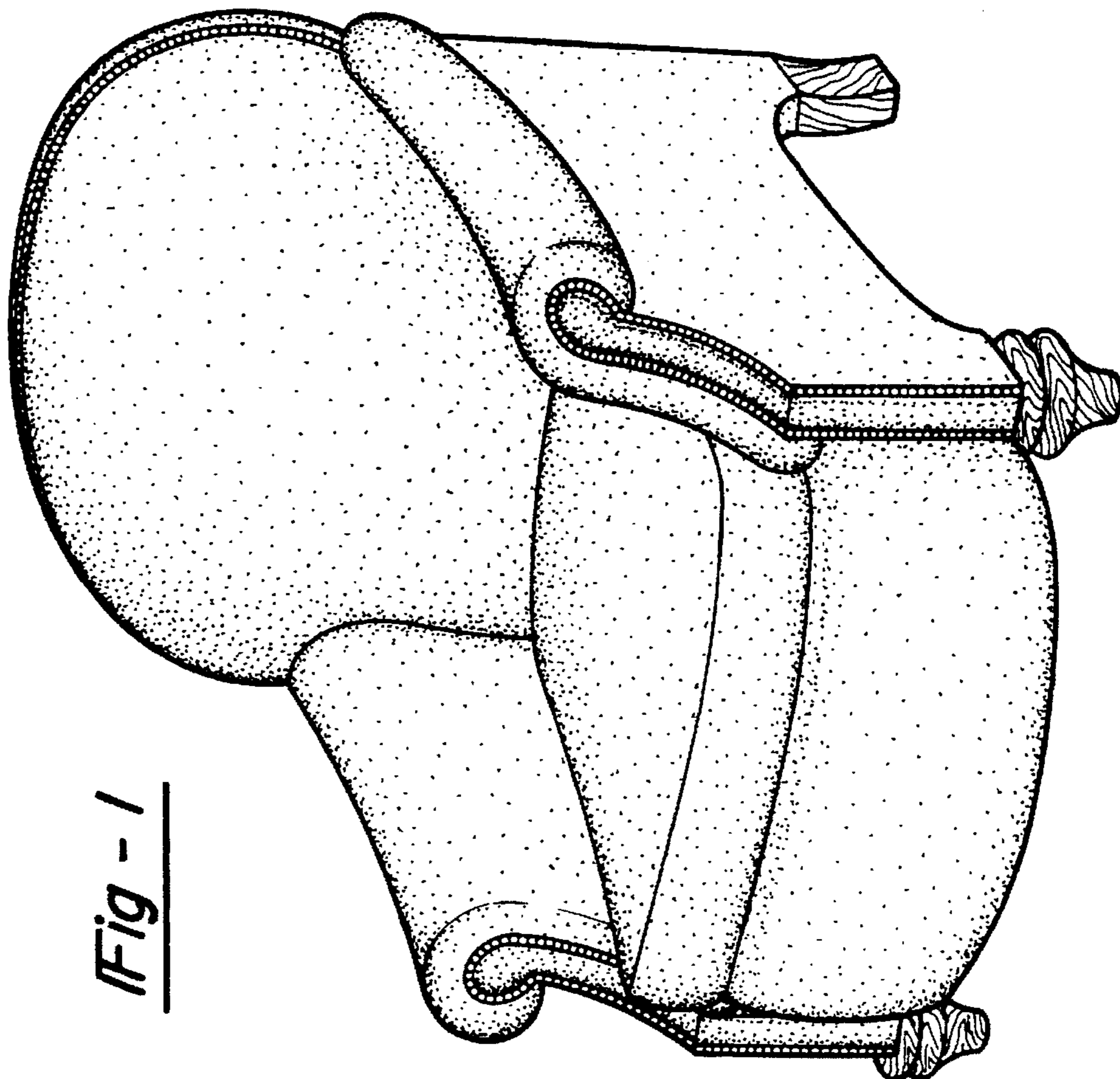


Fig - 1



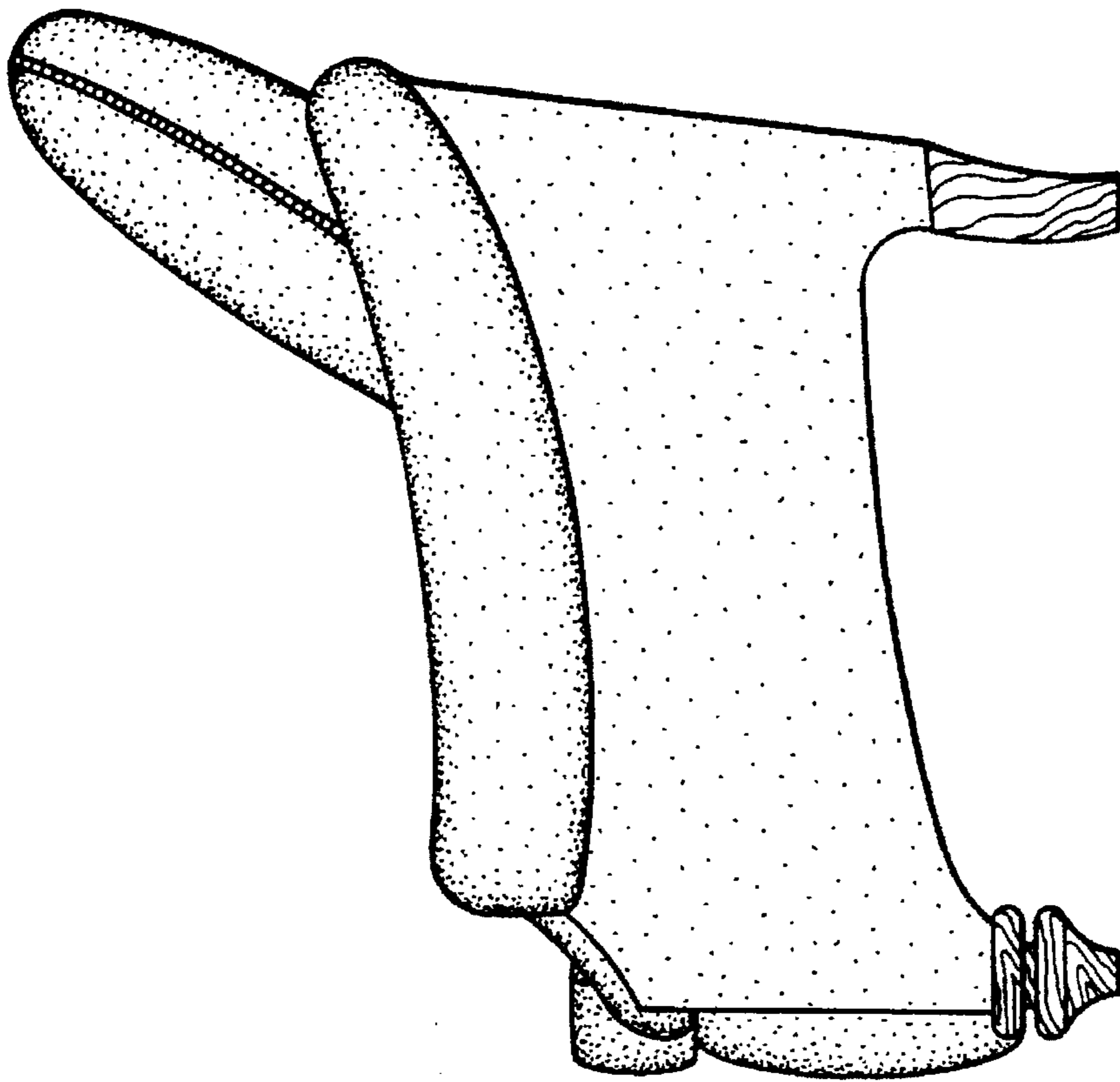


Fig - 3

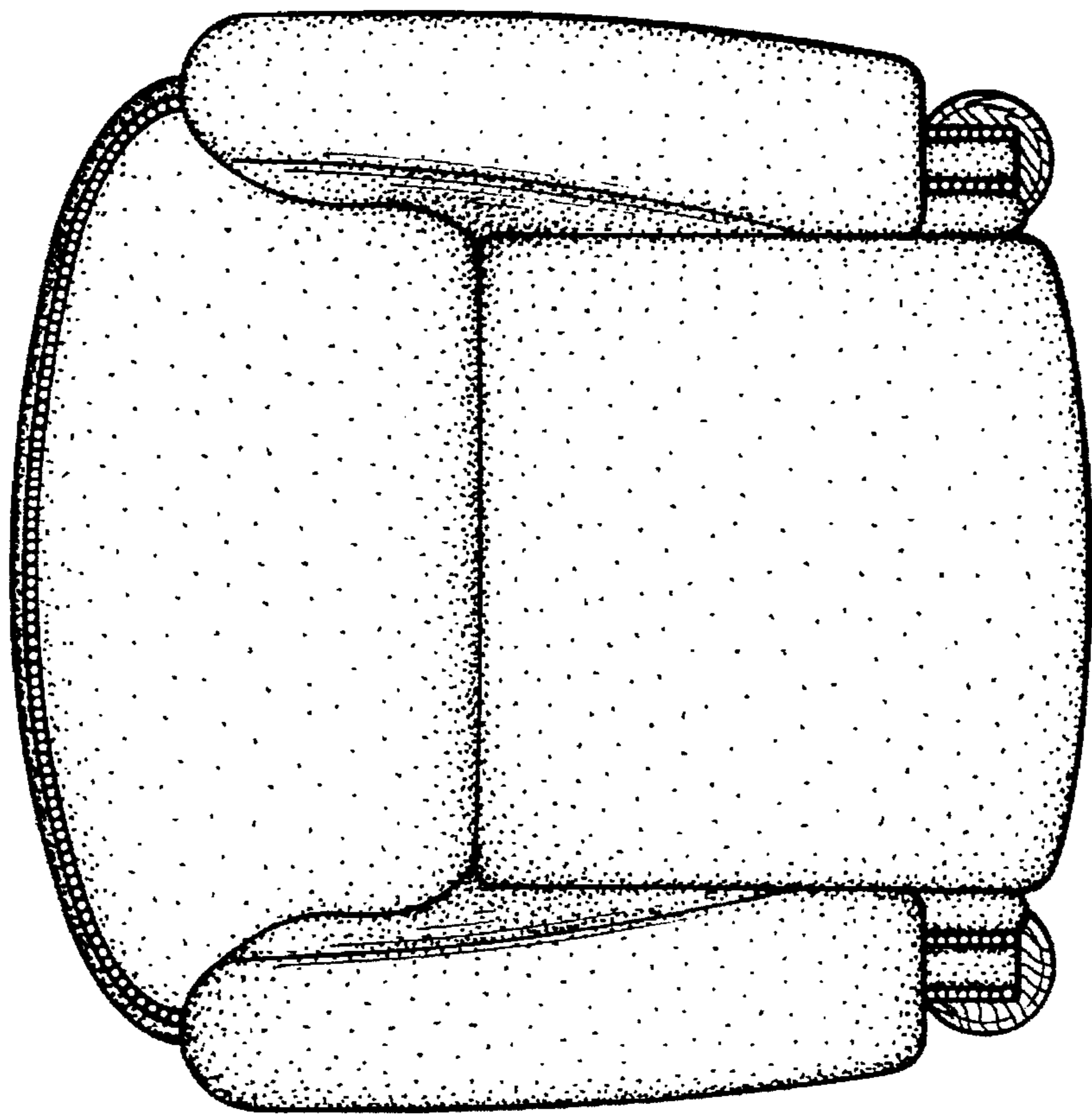


Fig - 4