



US00D380901S

United States Patent [19]

Apps et al.

[11] Patent Number: **Des. 380,901**

[45] Date of Patent: ****Jul. 15, 1997**

[54] **STACKABLE BOTTLE CASE**

[75] Inventors: **William P. Apps**, Alpharetta; **Gerald R. Koefeld**, Atlanta, both of Ga.

[73] Assignee: **Rehrig-Pacific Company, Inc.**, Los Angeles, Calif.

[**] Term: **14 Years**

[21] Appl. No.: **37,469**

[22] Filed: **Apr. 13, 1995**

Related U.S. Application Data

[63] Continuation-in-part of Ser. No. 34,317, Feb. 1, 1995, which is a continuation-in-part of Ser. No. 919,376, Jul. 29, 1992, Pat. No. 5,529,176, and a continuation-in-part of Ser. No. 18,317, Feb. 3, 1994, Pat. No. Des. 361,431.

[51] **LOC (6) Cl.** **03-01**

[52] **U.S. Cl.** **D3/311**

[58] **Field of Search** **D3/304, 307-314; D9/424, 425, 341; 206/427, 429, 515, 519, 557, 562-564, 201; 220/509, 513, 514, 516, 517, 669, 670, 672, 673, DIG. 2, DIG. 12, DIG. 15**

[56] References Cited

U.S. PATENT DOCUMENTS

- D. 147,981 11/1947 Lehman .
- D. 152,907 3/1949 Richards D3/311
- D. 195,702 7/1963 Russo .
- D. 201,257 6/1965 Vidal .
- D. 255,097 5/1980 Carroll et al. .
- D. 266,709 10/1982 Box .
- D. 277,837 3/1985 Turunen D3/313
- D. 284,841 7/1986 Rowland et al. .
- D. 285,851 9/1986 Rehrig .
- D. 289,938 5/1987 Warwick .
- D. 291,178 8/1987 Toms .
- D. 304,123 10/1989 Warwick .
- D. 313,493 1/1991 Apps et al. .
- D. 317,670 6/1991 Apps .
- D. 318,552 7/1991 Apps .
- D. 319,129 8/1991 Apps et al. .

- D. 320,298 9/1991 Apps et al. .
- D. 325,279 4/1992 Apps .
- D. 326,749 6/1992 Apps et al. .

(List continued on next page.)

FOREIGN PATENT DOCUMENTS

- 247904 8/1962 Australia .
- 680197 10/1966 Belgium .

(List continued on next page.)

OTHER PUBLICATIONS

Exhibit V: Four photos of a prior art crate of Rehrig-Pacific Company, Model No. PLBC-8-2L-PET-QD.
Exhibits W & X: Brochures including a PBC-6-2L (LO) crate for 2-liter bottles.

(List continued on next page.)

Primary Examiner—B. J. Bullock
Assistant Examiner—Richelle Shelton
Attorney, Agent, or Firm—Banner & Witcoff, Ltd.

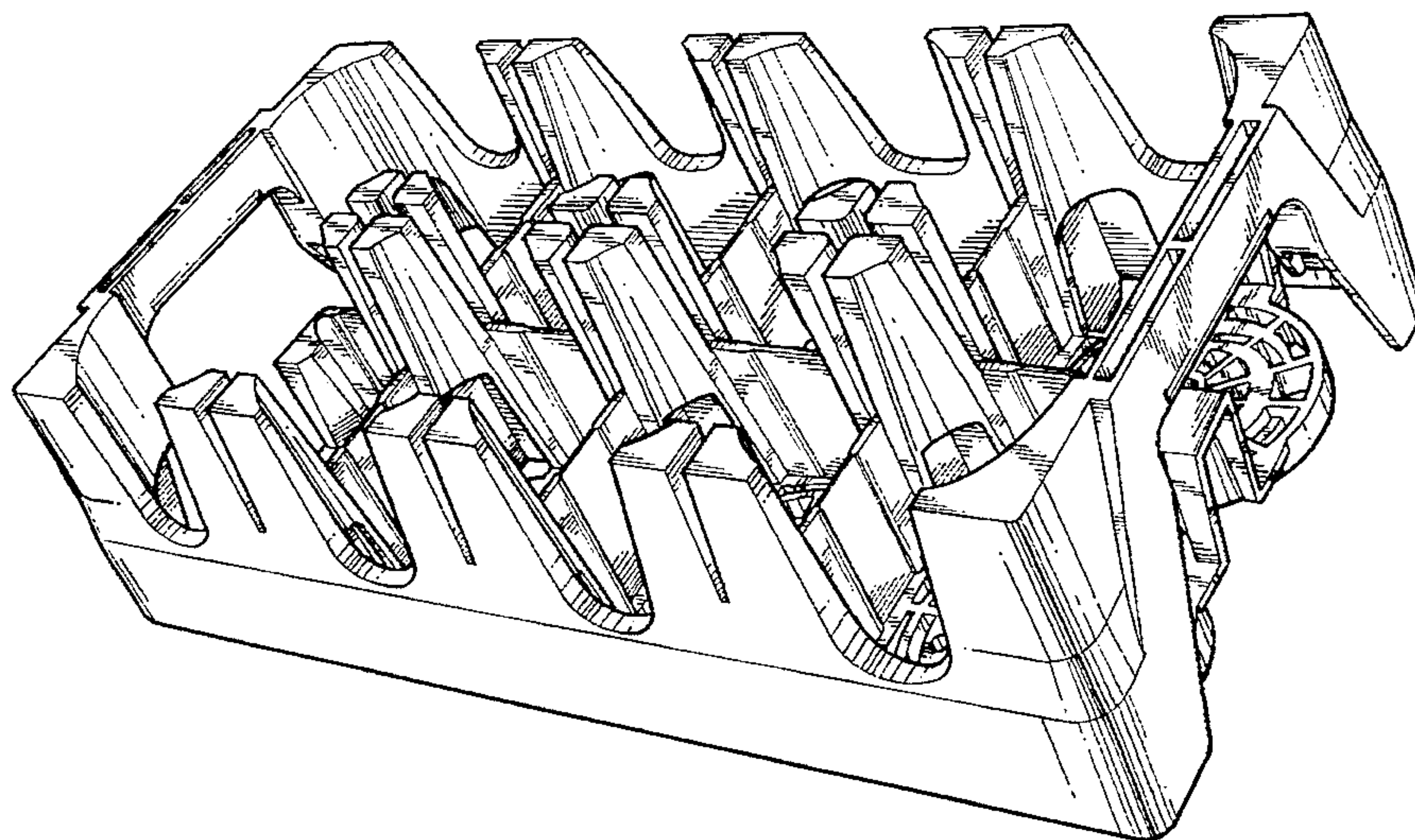
[57] CLAIM

The ornamental design for a stackable bottle case, as shown and described.

DESCRIPTION

FIG. 1 is a top perspective view of a stackable bottle case showing our new design;
FIG. 2 is a top plan view thereof;
FIG. 3 is a bottom perspective view thereof;
FIG. 4 is a bottom plan view thereof;
FIG. 5 is a side elevational view thereof, the opposite side elevational view being identical;
FIG. 6 is an end elevational view, the opposite end elevational view being identical;
FIG. 7 is a cross-sectional view taken along line 7—7 of FIG. 4;
FIG. 8 is a cross-sectional view taken along line 8—8 of FIG. 4; and,
FIG. 9 is a cross-sectional view taken along line 9—9 of FIG. 4.

1 Claim, 8 Drawing Sheets



U.S. PATENT DOCUMENTS

D. 327,357 6/1992 Rehrig .
 D. 327,972 7/1992 Apps et al. .
 D. 329,931 9/1992 Apps .
 D. 329,932 9/1992 Apps .
 D. 360,758 8/1995 Umiker .
 1,112,943 10/1914 Stone .
 2,064,518 12/1936 Brogden .
 2,411,673 11/1946 Vechev, Jr. .
 2,530,481 11/1950 Rawn, Jr. .
 2,535,493 12/1950 Gerber .
 2,588,805 3/1952 Cross .
 2,626,079 1/1953 Keller .
 2,743,030 4/1956 Read, Jr. .
 2,760,676 8/1956 Knieriem et al. .
 2,840,256 6/1958 Cobb, Jr. .
 2,928,530 3/1960 Sauey .
 2,935,222 5/1960 O'Connell .
 2,970,715 2/1961 Kappel et al. .
 2,974,819 3/1961 Melville .
 2,979,222 4/1961 Levine .
 3,009,579 11/1961 Ettlinger, Jr. .
 3,055,542 9/1962 Russo .
 3,092,284 6/1963 Stout .
 3,148,797 9/1964 Cloyd .
 3,151,762 10/1964 Vidal .
 3,155,268 11/1964 Fogerty et al. .
 3,184,148 5/1965 Poupitch .
 3,247,996 4/1966 Garcia .
 3,283,947 11/1966 Cornelius .
 3,297,190 1/1967 Cloyd .
 3,326,410 6/1967 Asenbauer .
 3,332,574 7/1967 Earp .
 3,333,727 8/1967 Belcher et al. .
 3,333,729 8/1967 Rabb .
 3,334,767 8/1967 Cornelius et al. .
 3,349,943 10/1967 Box .
 3,376,998 4/1968 Cornelius .
 3,379,339 4/1968 Asenbauer .
 3,384,261 5/1968 Austin .
 3,390,801 7/1968 Adomat .
 3,391,814 7/1968 Box .
 3,391,815 7/1968 Box .
 3,392,869 7/1968 Needt .
 3,416,694 12/1968 Bebb .
 3,447,715 6/1969 Beney .
 3,517,852 6/1970 Schoeller .
 3,547,309 12/1970 Pusey et al. .
 3,638,824 2/1972 Sekiguchi et al. .
 3,651,976 3/1972 Chadbourne .
 3,701,449 10/1972 Schoeller .
 3,734,341 5/1973 Levenhagen .
 3,759,416 9/1973 Constantine .
 3,812,996 5/1974 Bunnell .
 3,865,239 2/1975 Herolzer et al. .
 3,949,876 4/1976 Bridges et al. .
 4,027,796 6/1977 Martin .
 4,037,722 7/1977 Bremer .
 4,040,517 8/1977 Torokvei .
 4,071,162 1/1978 Steinlein et al. .
 4,095,720 6/1978 Delbrouck et al. .
 4,101,049 7/1978 Wallace et al. .
 4,105,117 8/1978 Atkin et al. .
 4,120,444 10/1978 Gray .
 4,161,259 7/1979 Palafox .
 4,162,738 7/1979 Wright .
 4,202,448 5/1980 Jaeger et al. .
 4,204,596 5/1980 Davis .
 4,319,685 3/1982 David .
 4,344,530 8/1982 deLarosiere .
 4,349,121 9/1982 Lafferty .

4,410,099 10/1983 deLarosiere .
 4,416,373 11/1983 deLarosiere .
 4,520,941 6/1985 Hagan et al. .
 4,548,320 10/1985 Box .
 4,619,371 10/1986 Rehrig .
 4,671,411 6/1987 Rehrig et al. .
 4,700,836 10/1987 Hammett .
 4,700,837 10/1987 Hammett .
 4,759,451 7/1988 Apps .
 4,773,554 9/1988 Warwick .
 4,789,063 12/1988 Hammett .
 4,823,955 4/1989 Apps .
 4,848,580 7/1989 Wise .
 4,899,874 2/1990 Apps et al. .
 4,932,532 6/1990 Apps et al. .
 4,978,002 12/1990 Apps et al. .
 5,031,774 7/1991 Morris et al. .
 5,060,819 10/1991 Apps .
 5,071,026 12/1991 Apps .
 5,184,748 2/1993 Apps .
 5,335,814 8/1994 Hepp .
 B1 4,344,530 3/1988 deLarosiere .

FOREIGN PATENT DOCUMENTS

693216 7/1967 Belgium .
 965056 3/1975 Canada .
 1109433 9/1981 Canada .
 99827 2/1984 European Pat. Off. .
 1285689 1/1962 France .
 1351218 12/1963 France .
 1518610 2/1968 France .
 2401087 3/1979 France .
 1207268 12/1965 Germany .
 1486412 5/1969 Germany .
 6505562 10/1966 Netherlands .
 943947 12/1963 United Kingdom .
 1032916 6/1966 United Kingdom .
 1115343 5/1968 United Kingdom .
 1120067 7/1968 United Kingdom .
 1152038 5/1969 United Kingdom .
 1312701 4/1973 United Kingdom .
 1319726 6/1973 United Kingdom .
 1330778 9/1973 United Kingdom .
 2079256 1/1982 United Kingdom .
 2135278 8/1984 United Kingdom .
 2158044 11/1985 United Kingdom .
 WO82/01536 5/1982 WIPO .
 WO92/15758 12/1990 WIPO .

OTHER PUBLICATIONS

Exhibit Y: Brochure and photo, "Interlocking bottom grid. Cross stackable".
 Exhibit Z: One-page brochure disclosing a prior art 2-liter PET case having a plurality of notches on the top wall.
 Exhibit AA: One-page brochure illustrating a prior art 2-liter PET case.
 Exhibit S: Three photos of an embodiment of U.S. Patent No. 3,392,869 to Needt.
 Exhibit T: Four photos of a prior art crate of Rehrig-Pacific Company, Model No. PLBC-8-2L-HD.
 Exhibit U: Four photos of a prior art crate of Rehrig-Pacific Company Model No. PLBC-6-2L-HD.
 Exhibit P: Two photos of an embodiment of U.S. Patent No. 4,700,837 to Hammett.
 Exhibit Q: Four photos of an embodiment of U.S. Patent No. 4,344,530 for 3-liter PET bottles.
 Exhibit R: Four photos of a modified embodiment of U.S. Patent No. 4,700,837 for 3-liter PET bottles.

Exhibit M: Copy of a brochure illustrating an embodiment of GB No. 2,158,044/U.S. D289,938.

Exhibit N: Copy of a brochure illustrating an embodiment of U.S. Patent No. 4,773,554 & an embodiment of GB No. 2,158,044/U.S. D289,938.

Exhibit O: Four photos of an embodiment of U.S. Patent No. 4,344,530 to deLarosiere.

Exhibits G–J: Four photos of a bottle neck resting type crate without projections above the outer side walls.

Exhibit K: One photo of a bottle neck resting type crate with different height outer side walls.

Exhibit L: Four photos of an embodiment of Great Britain Patent Publication No. 2,158,044 & U.S. Design Patent No. D289,938.

Exhibits A & B: Two photos of an embodiment of U.S. Pat. No. 4,773,554 to Warwick.

Exhibits D–F: Three photos of a bottle neck resting type crate with projections above the outer side walls.

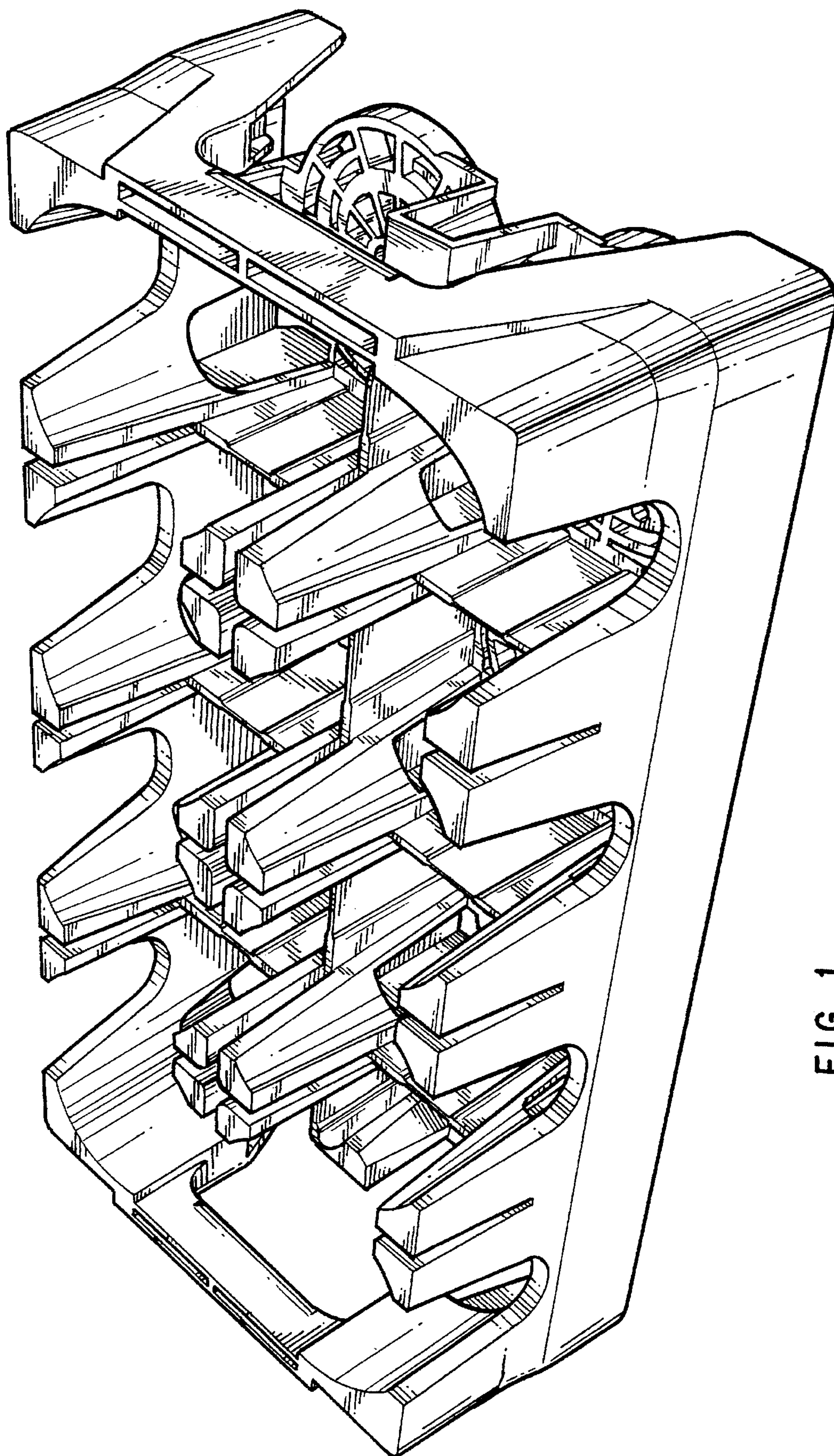


FIG. 1

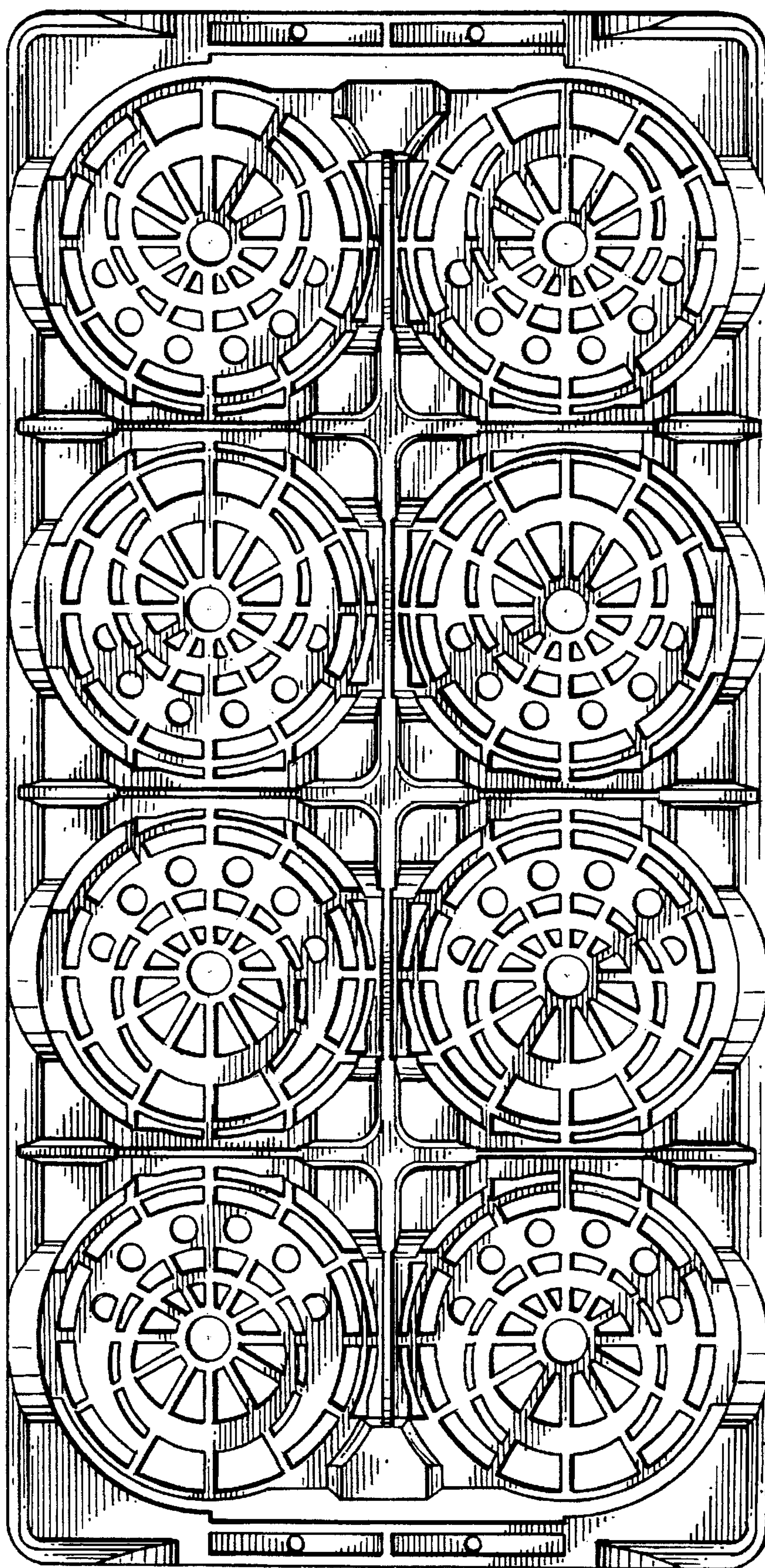


FIG. 2

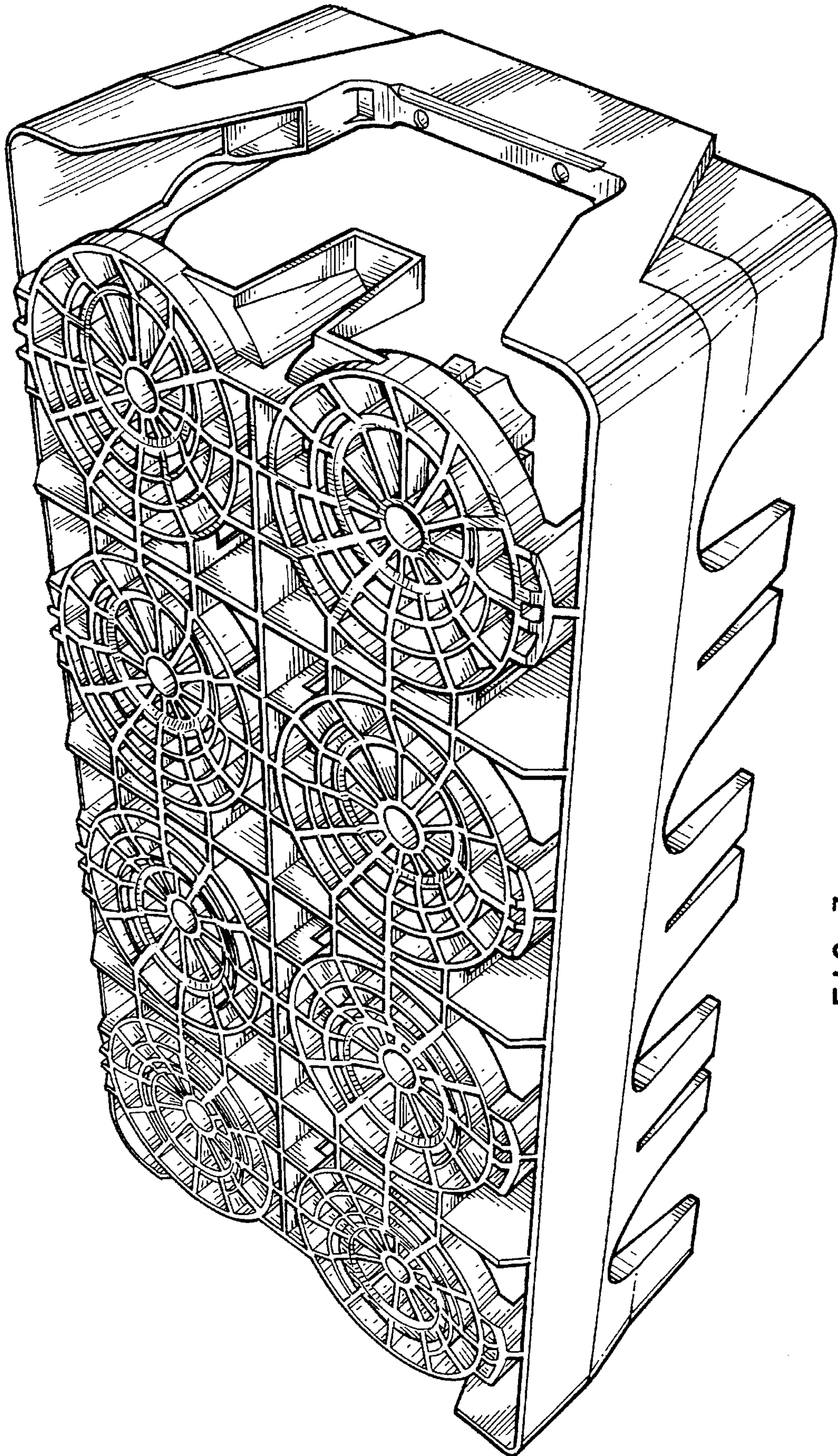


FIG. 3

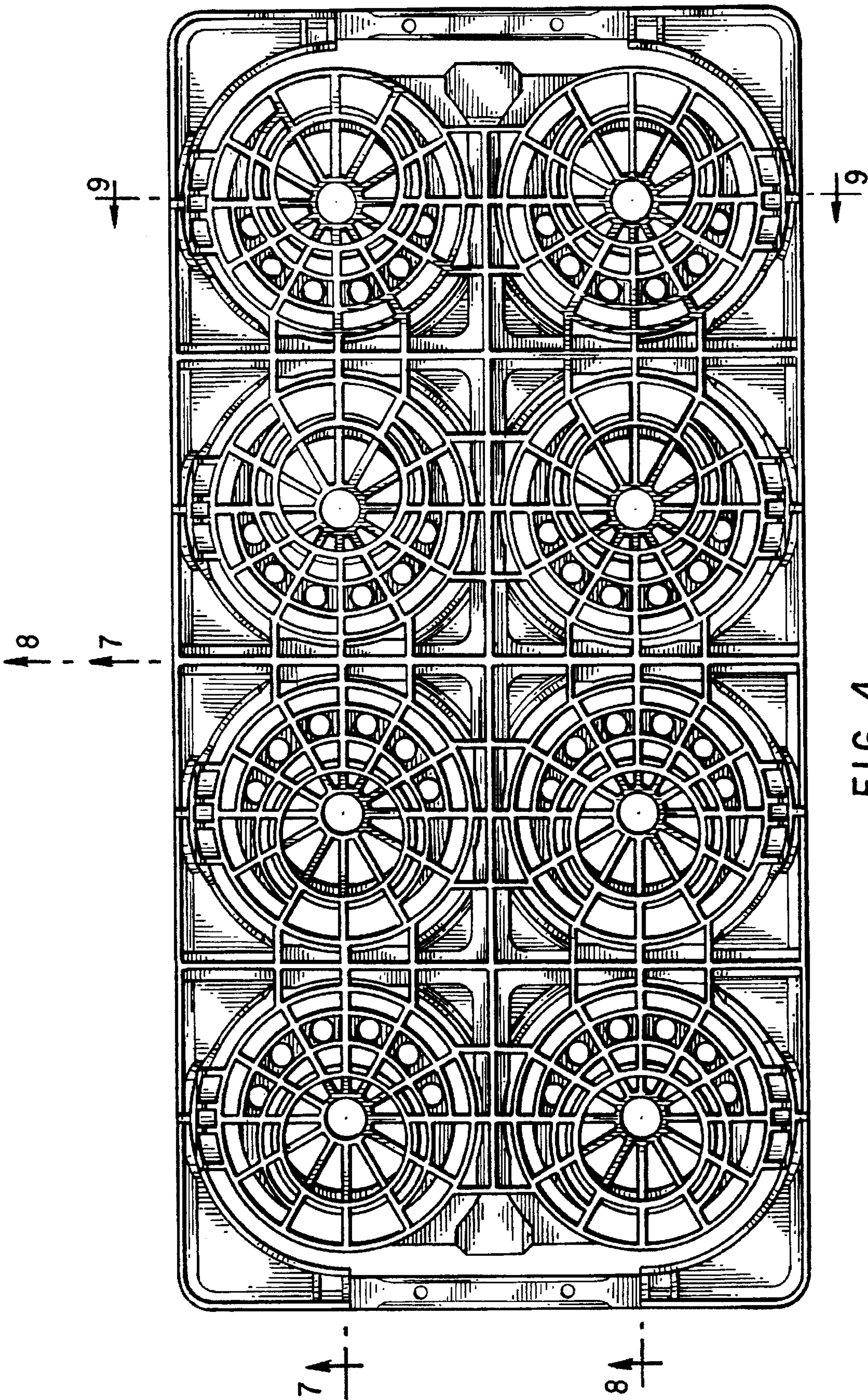


FIG. 4

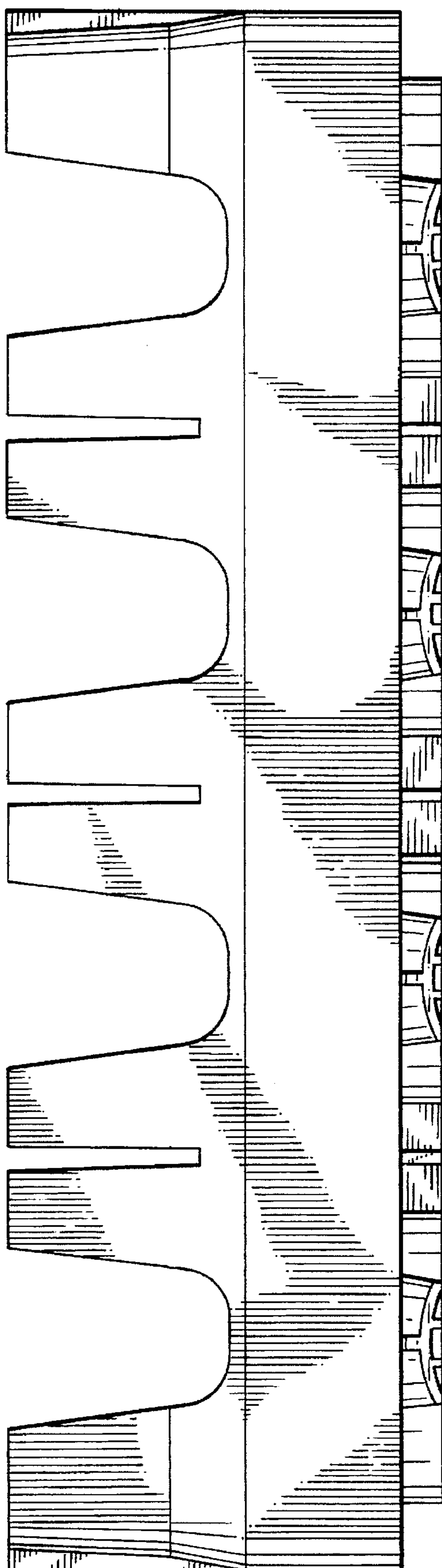


FIG. 5

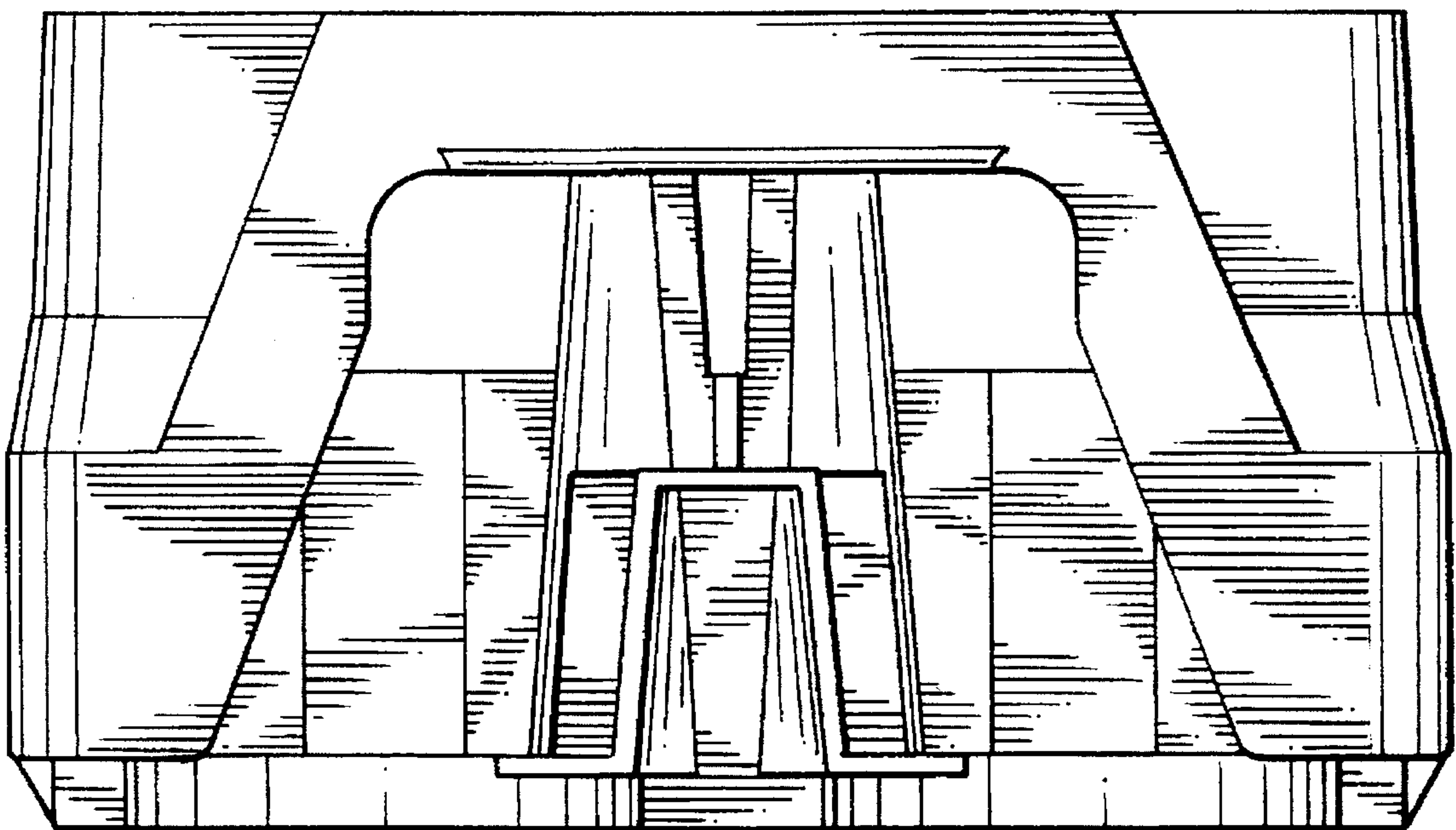


FIG. 6

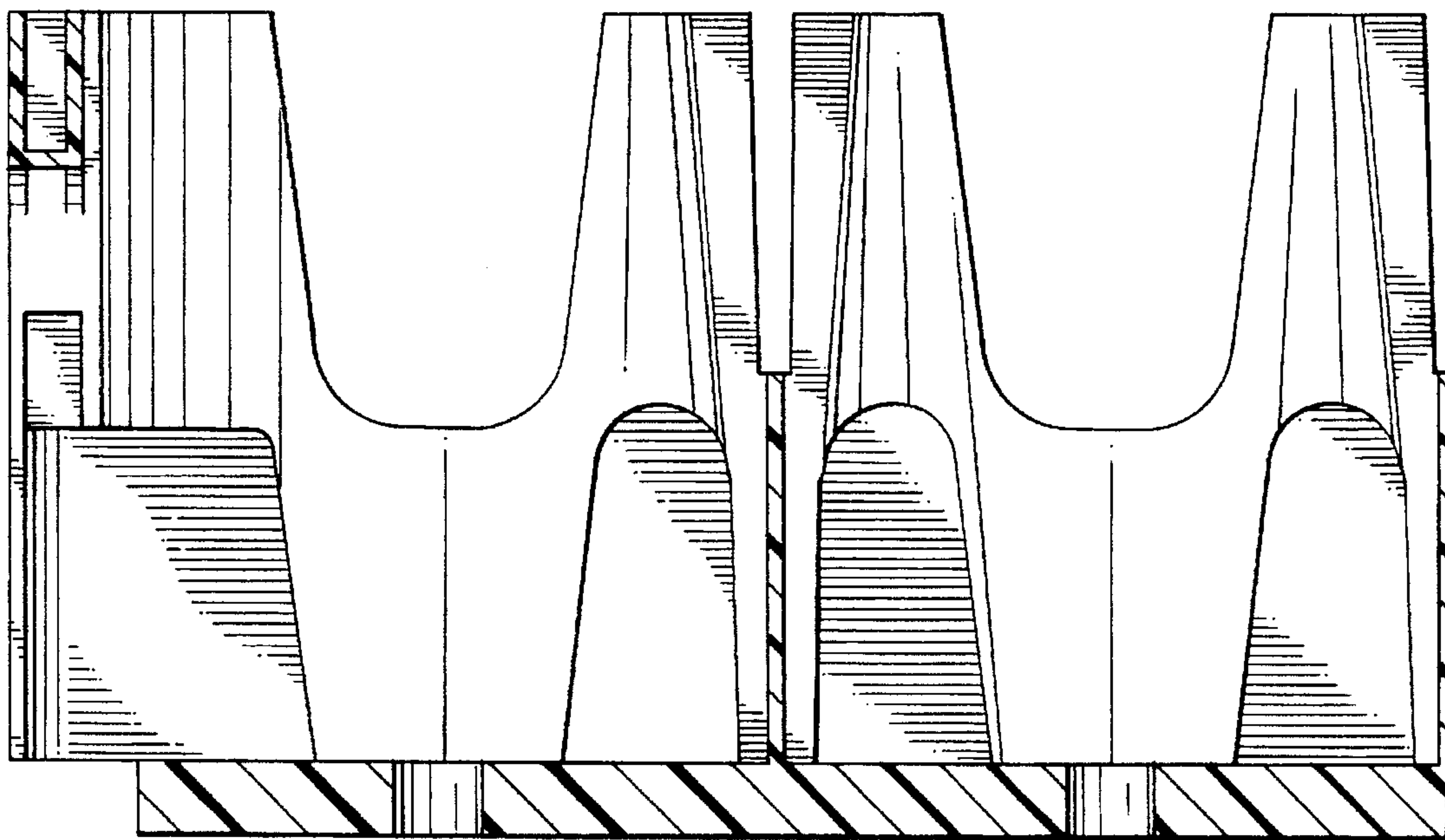


FIG. 7

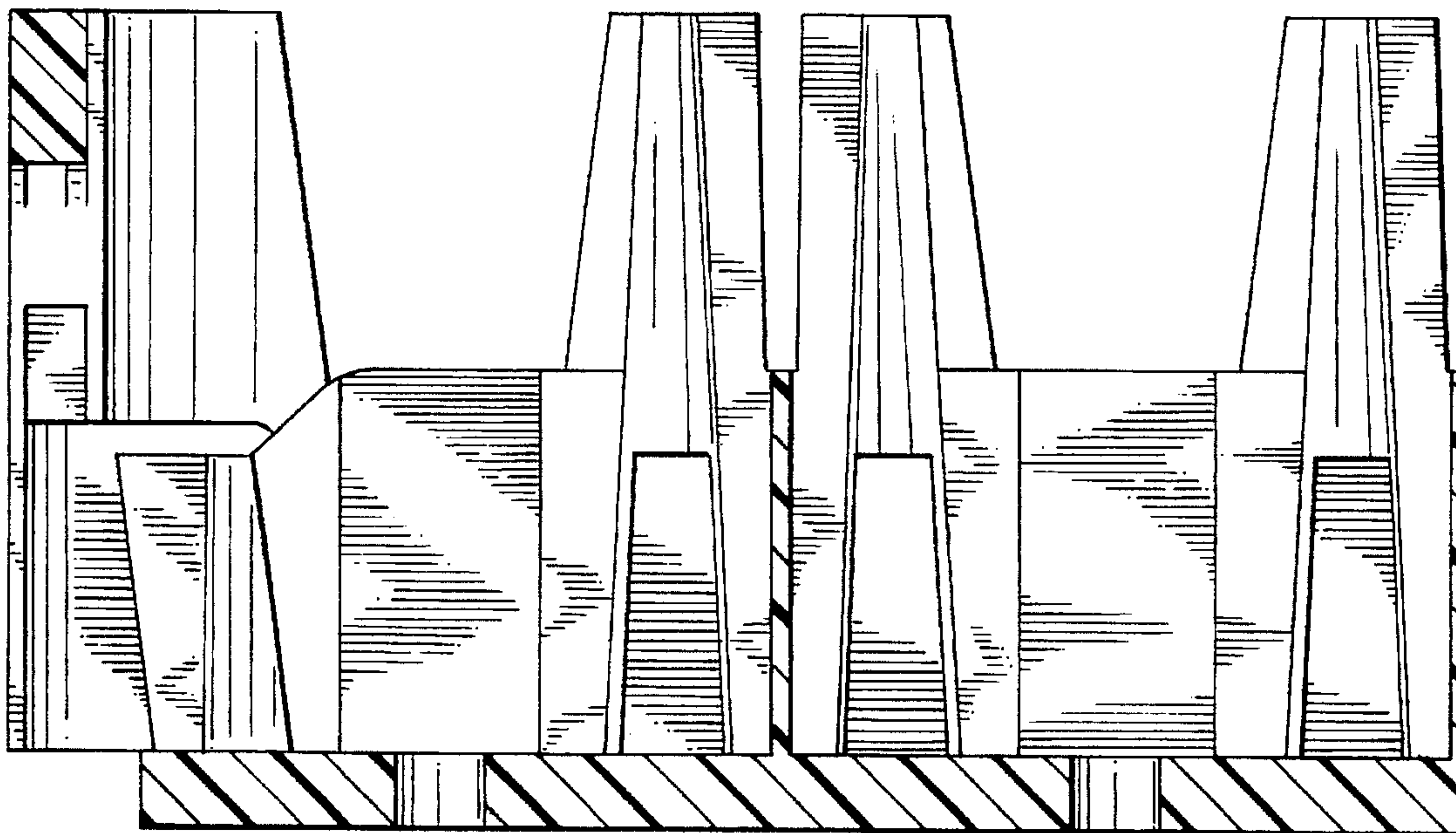


FIG. 8

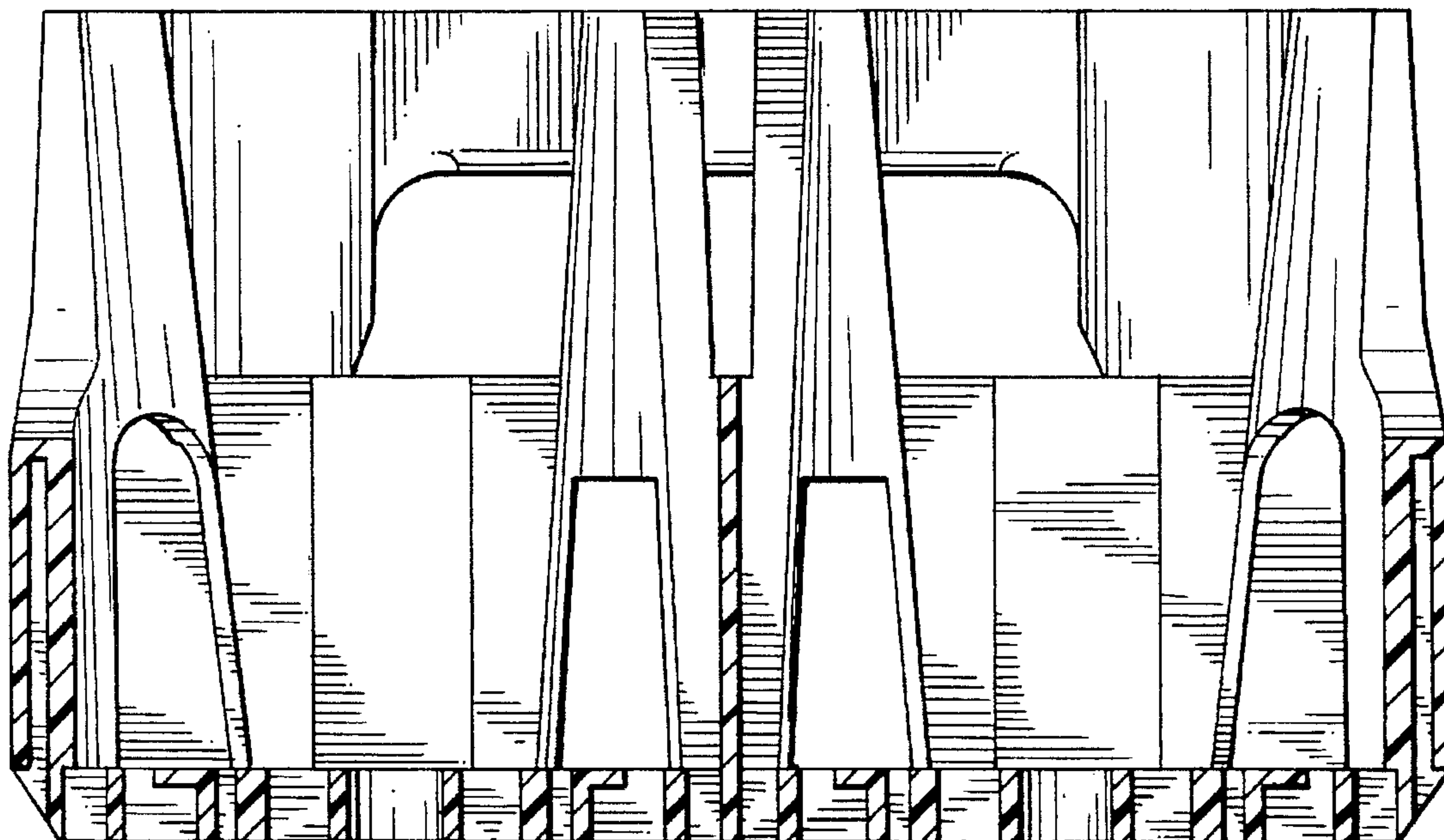


FIG. 9