



US00D380883S

United States Patent [19]

[11] Patent Number: **Des. 380,883**

Katz et al.

[45] Date of Patent: ****Jul. 8, 1997**

[54] **APPLIANCE CABINET BACKSPLASH**

[75] Inventors: **Jonathan Mark Katz**, Louisville;
Kevin Scott Laundroche, Anchorage,
both of Ky.

[73] Assignee: **General Electric Company**, Louisville,
Ky.

[**] Term: **14 Years**

[21] Appl. No.: **29,530**

[22] Filed: **Oct. 7, 1994**

[51] LOC (6) Cl. **15-05**

[52] U.S. Cl. **D32/25; D32/6**

[58] Field of Search **D32/1, 6, 7, 13;**
68/139, 140, 142, 172-173

[56] **References Cited**

U.S. PATENT DOCUMENTS

D. 183,665 10/1958 Sundberg D32/8

- D. 284,124 6/1986 Haruguchi et al. D32/6
- D. 289,212 4/1987 Nakamura et al. D32/6
- D. 290,052 5/1987 Ohsawa et al. D32/6
- D. 292,629 11/1987 Nagai et al. D32/6
- D. 292,630 11/1987 Nagai et al. D32/8
- D. 359,602 6/1995 Swartz et al D32/6

Primary Examiner—Ruth McInroy
Attorney, Agent, or Firm—H. Neil Houser

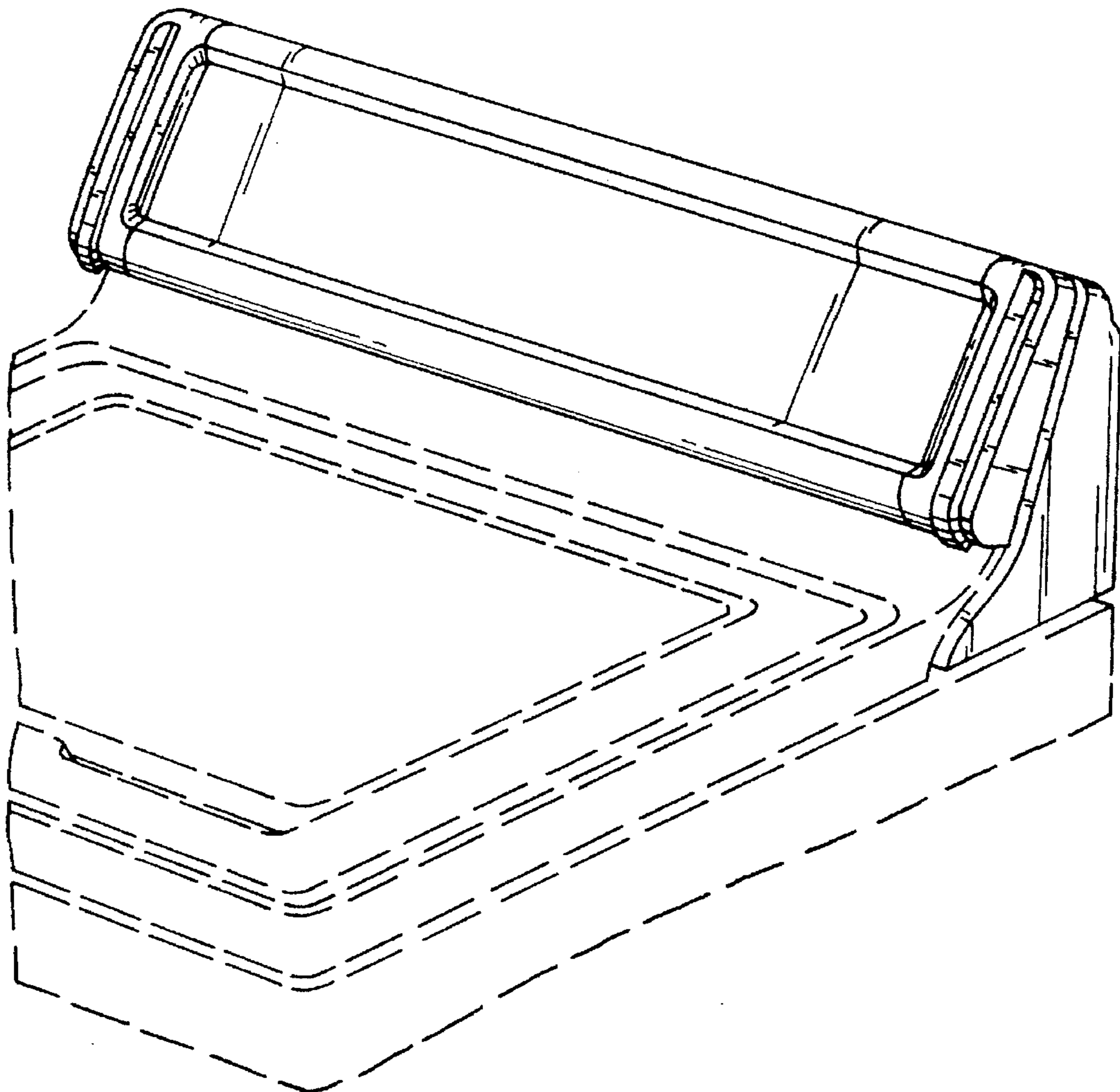
[57] **CLAIM**

The ornamental design for an appliance cabinet backsplash, as shown and described.

DESCRIPTION

FIG. 1 is a top perspective view of an appliance cabinet backsplash showing our new design; FIG. 2 is a side elevation view thereof; FIG. 3 is a top plan view thereof; and, FIG. 4 is a front elevation view thereof.

1 Claim, 2 Drawing Sheets



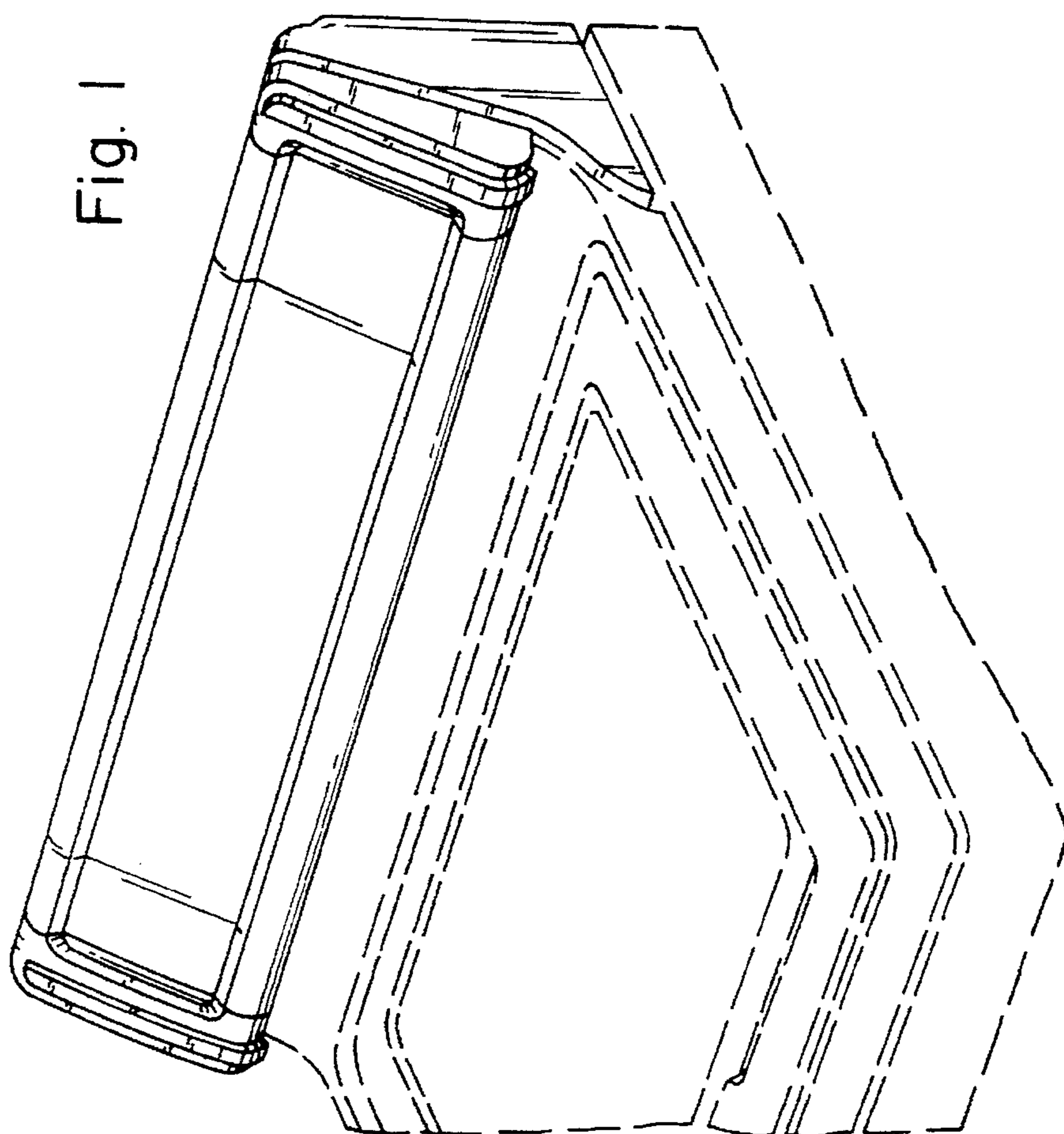


Fig. 1

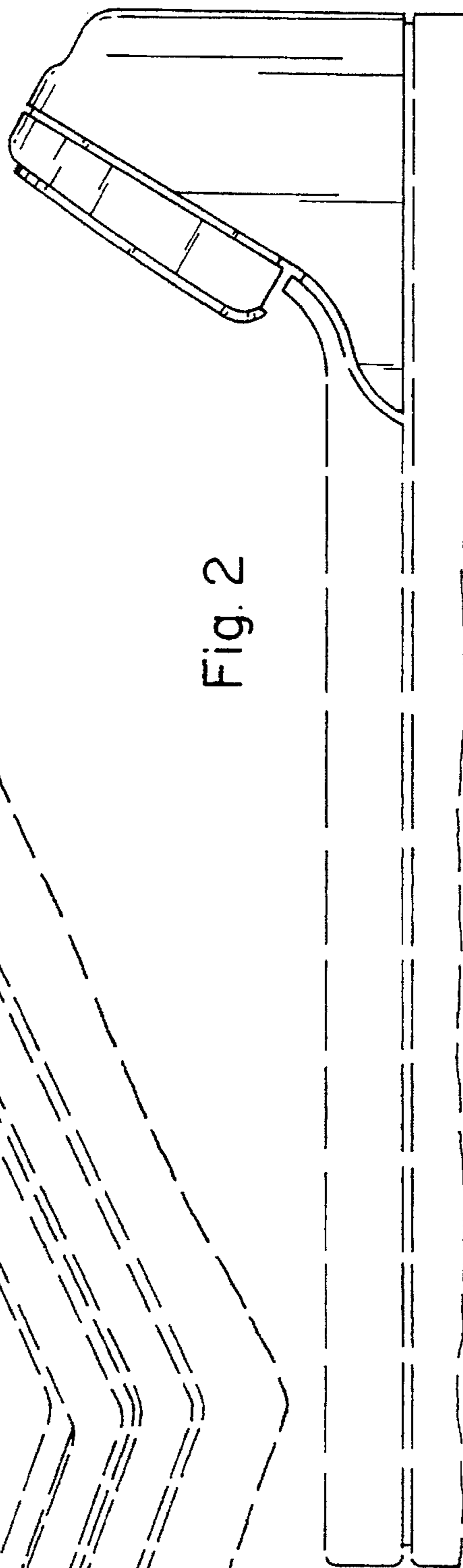


Fig. 2

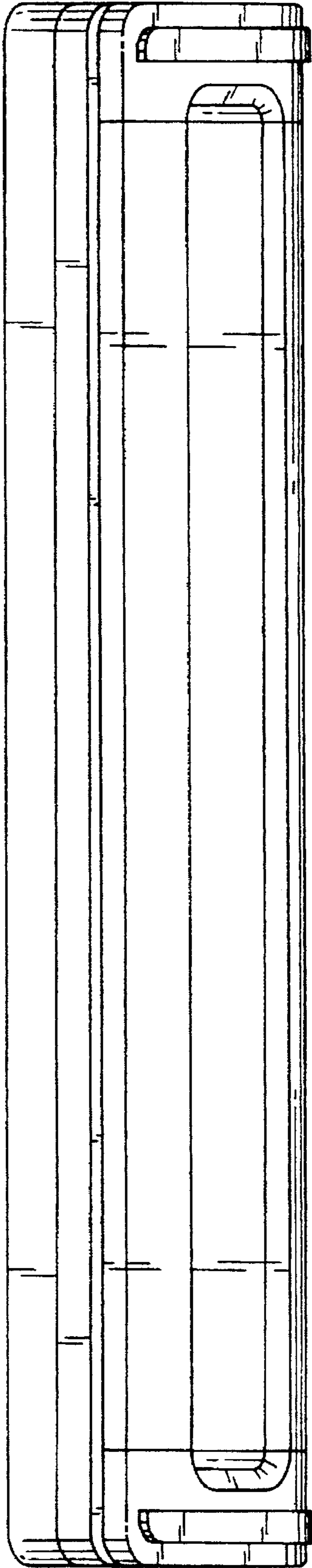


Fig. 3

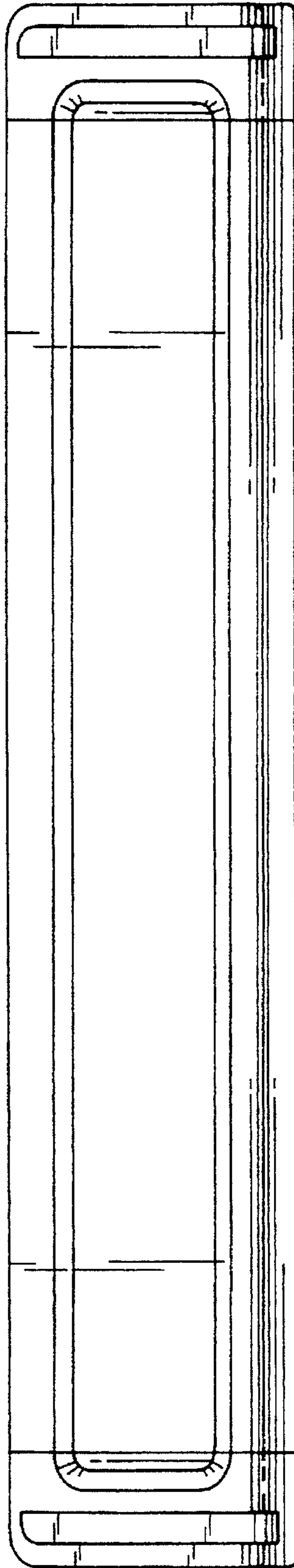


Fig. 4