



US00D380881S

**United States Patent** [19]  
**Boudreau**

[11] **Patent Number: Des. 380,881**  
[45] **Date of Patent: \*\*Jul. 8, 1997**

[54] **SQUEEZE BOTTLE BOVINE TEAT  
SANITIZER**

[76] **Inventor: Ronald A. Boudreau, 3421 Dragoo  
Park Dr., Modesto, Calif. 95350**

[\*\*] **Term: 14 Years**

[21] **Appl. No.: 31,073**

[22] **Filed: Nov. 17, 1994**

[51] **LOC (6) Cl. .... 30-99**

[52] **U.S. Cl. .... D30/199**

[58] **Field of Search .... D30/199, 158;  
119/14.01, 14.08, 14.47-14.53, 670, 673,  
677-678; 128/660.03; 433/119; 604/22;  
239/526; 134/166 R, 169 R, 199; D24/217**

[56] **References Cited**

**U.S. PATENT DOCUMENTS**

D. 324,591	3/1992	Lallerstedt	.....	D30/199
D. 367,741	3/1996	Boudreau	.....	D30/199
3,828,776	8/1974	Sparr, Sr.	.....	604/22 X
4,970,992	11/1990	Aiken	.....	119/677
5,379,724	1/1995	Dee et al.	.....	D30/199 X

**OTHER PUBLICATIONS**

Blueprint for a better DIP CUP. RJB Advertisement in "The Dairyman", Sep. 1985.

*Primary Examiner*—B. J. Bullock  
*Assistant Examiner*—Stacia Sinuik  
*Attorney, Agent, or Firm*—Skjerven, Morrill, MacPherson,  
Franklin & Friel; Thomas S. MacDonald

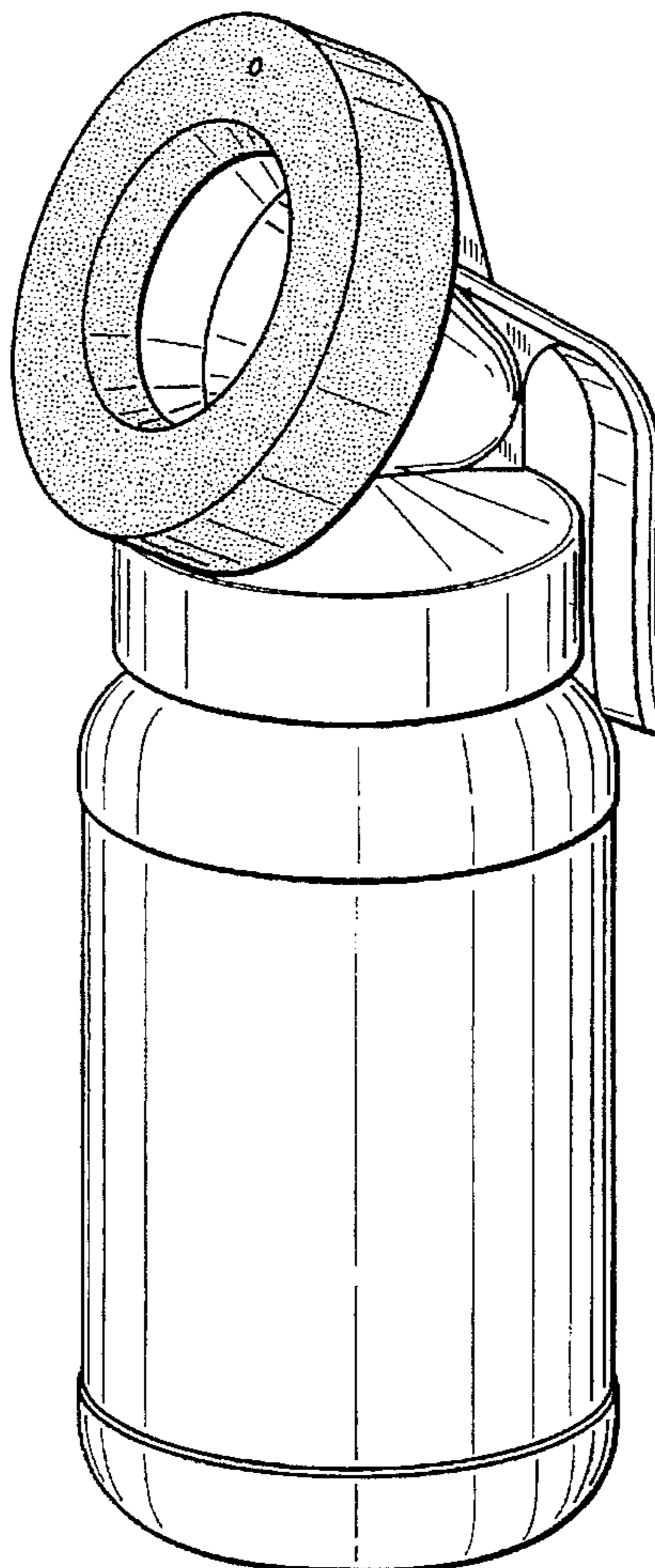
[57] **CLAIM**

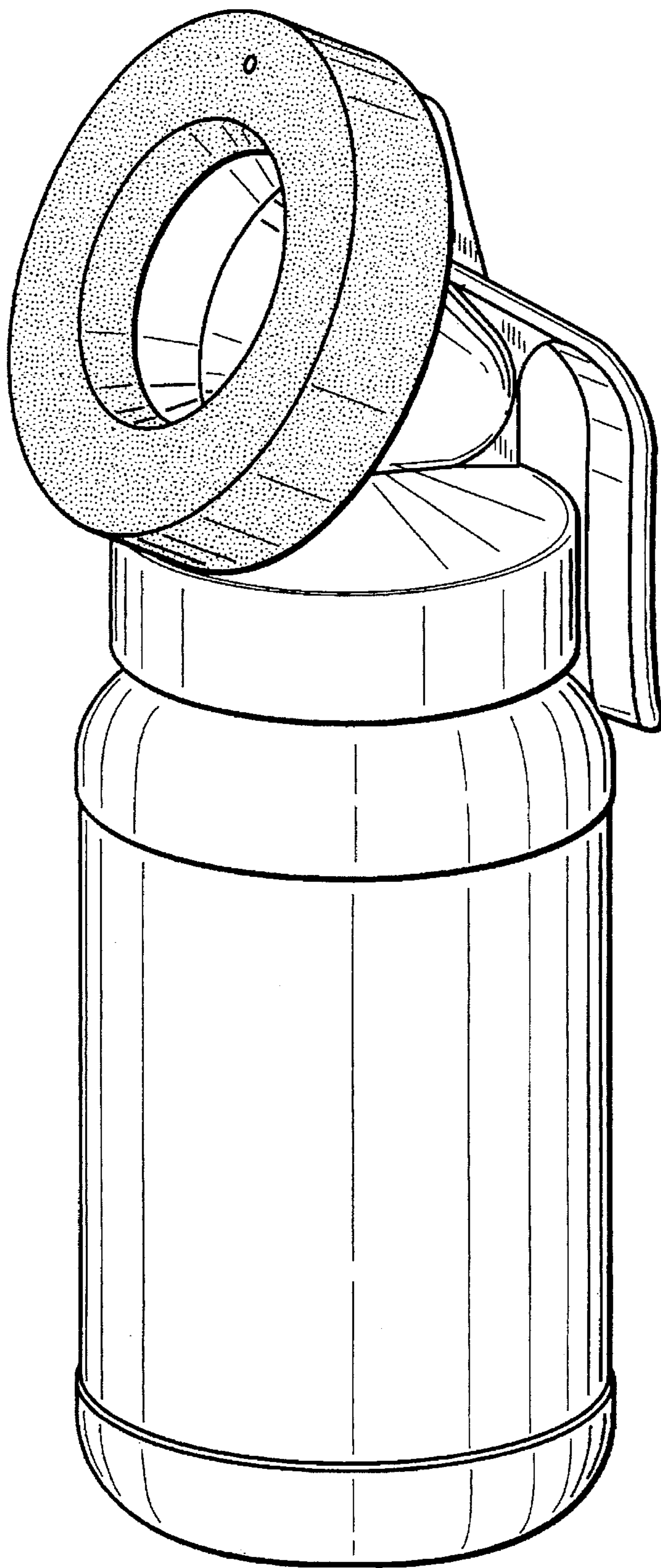
The ornamental design for a squeeze bottle bovine teat sanitizer, as shown and described.

**DESCRIPTION**

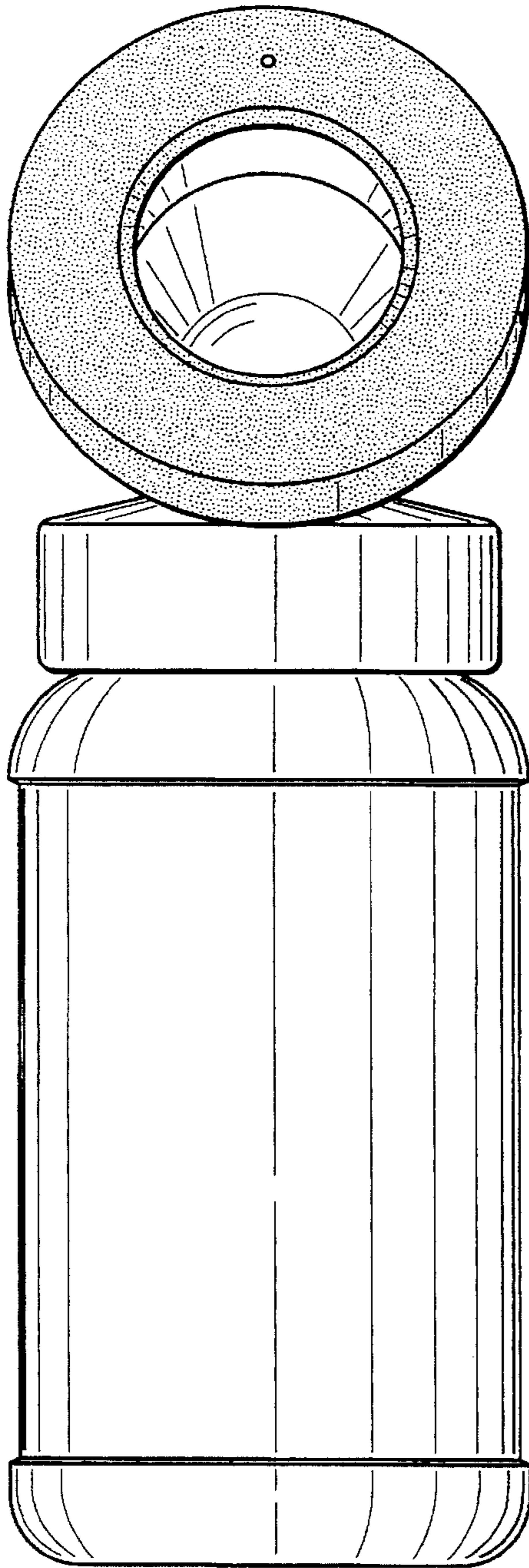
FIG. 1 is a perspective view of a squeeze bottle bovine teat sanitizer showing my new design;  
FIG. 2 is a front elevation view thereof;  
FIG. 3 is a left side elevation view thereof, the opposite side being a mirror image thereof;  
FIG. 4 is a rear elevation view thereof;  
FIG. 5 is a top plan view thereof; and,  
FIG. 6 is a bottom plan view thereof.

**1 Claim, 3 Drawing Sheets**

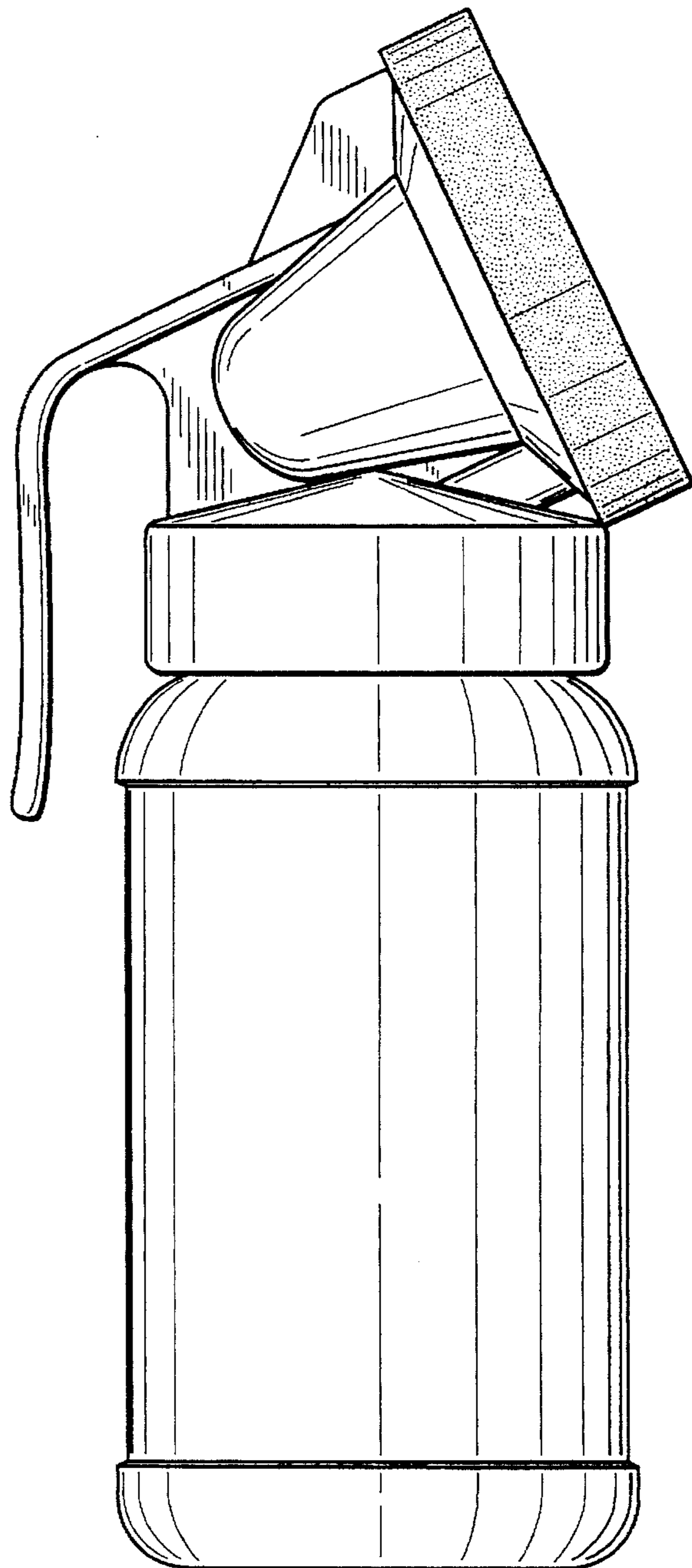




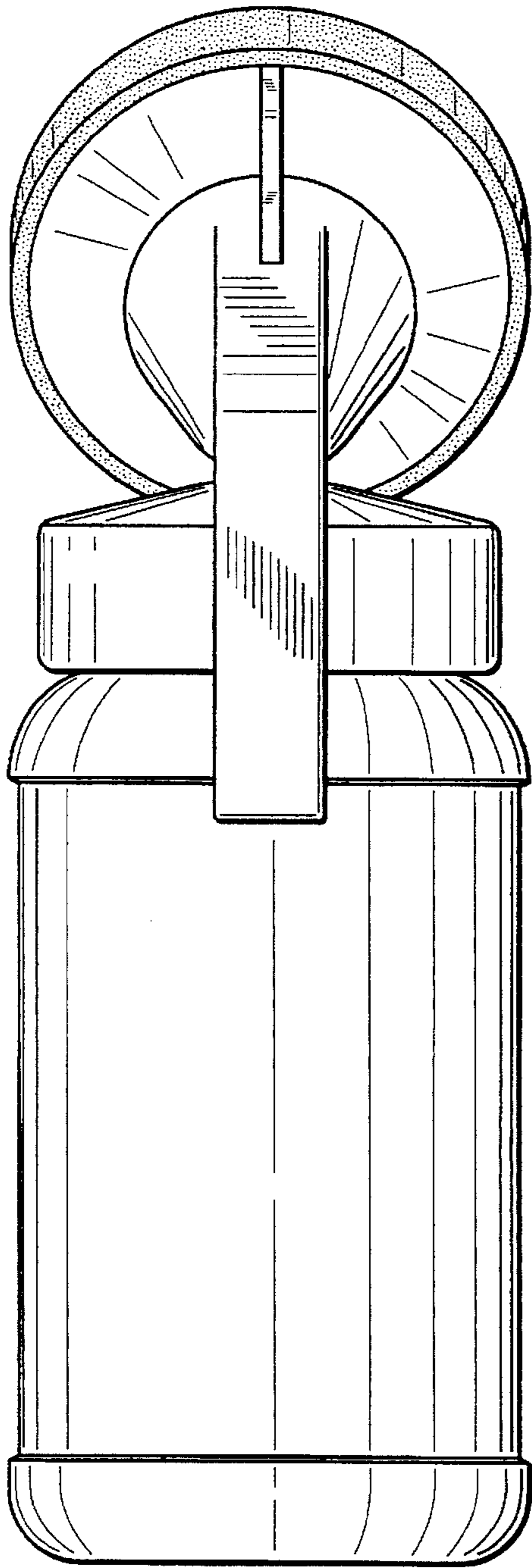
**FIG. 1**



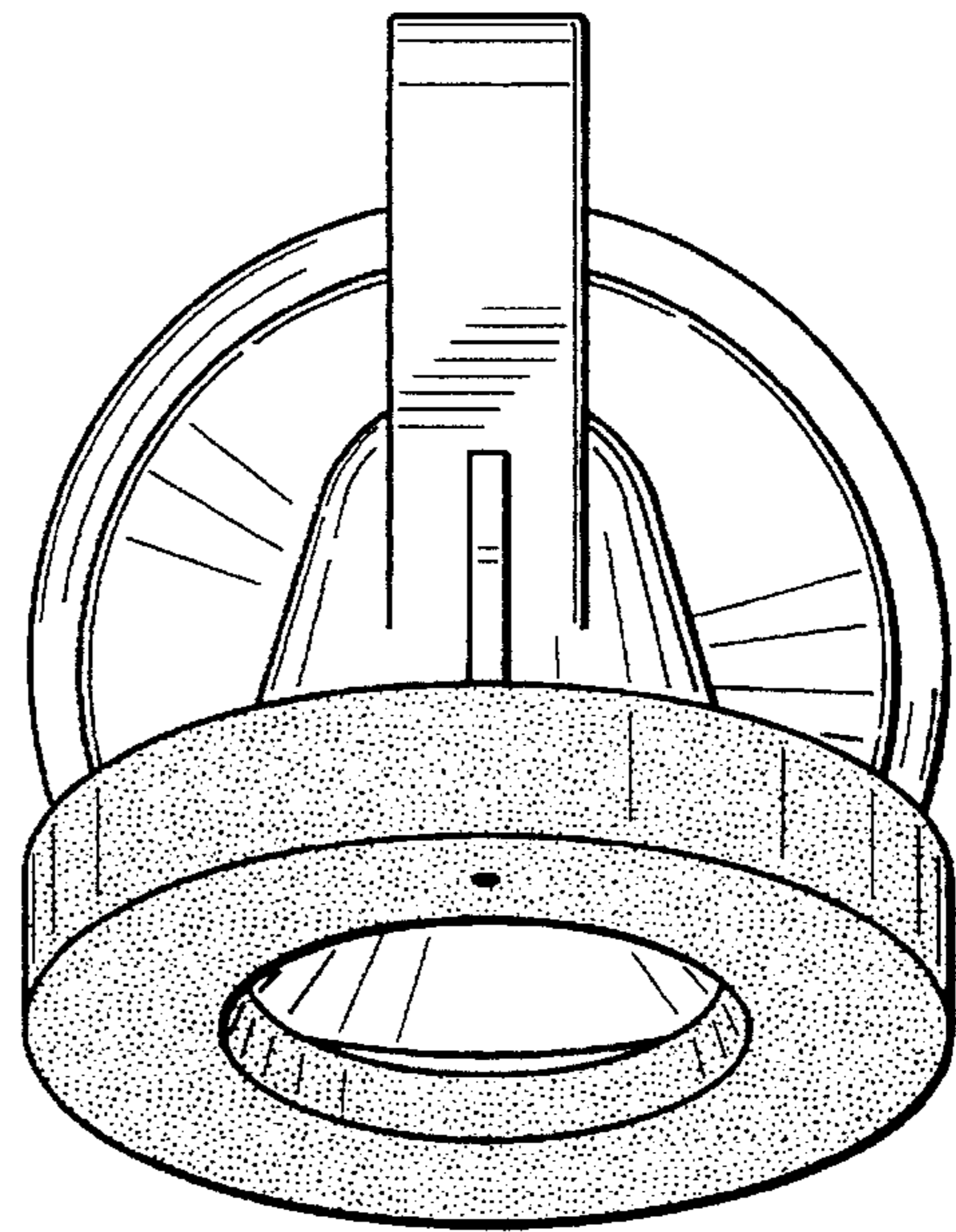
**FIG.\_2**



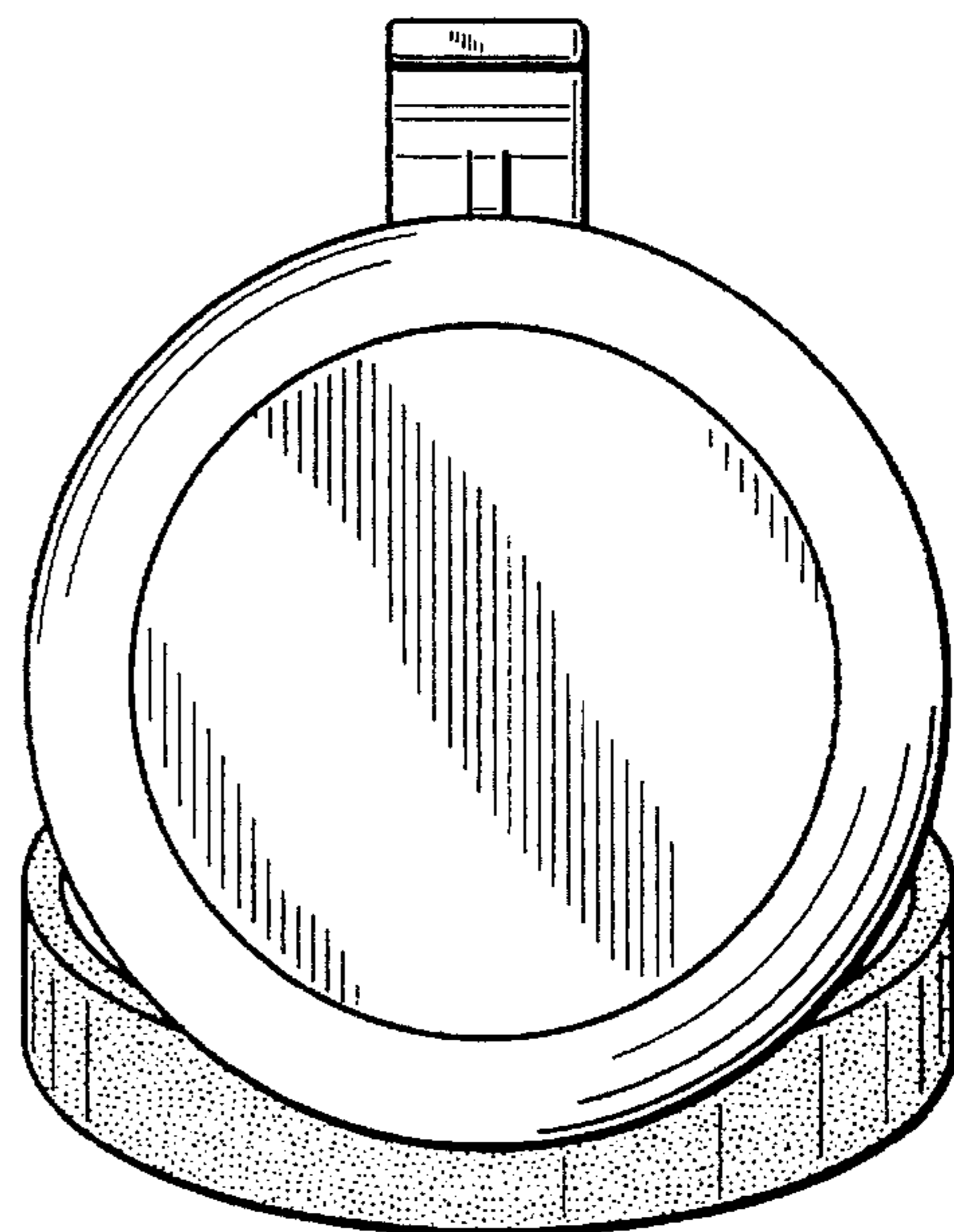
**FIG.\_3**



**FIG.\_4**



**FIG.\_5**



**FIG.\_6**