



US00D380880S

United States Patent [19] Reid

[11] Patent Number: **Des. 380,880**
[45] Date of Patent: ****Jul. 8, 1997**

[54] **FERRET LITTER PAN**
[75] Inventor: **Peter H. Reid**, Webster, N.Y.
[73] Assignee: **Marshall Pet Products, Inc.**, Wolcott, N.Y.
[**] Term: **14 Years**
[21] Appl. No.: **52,396**
[22] Filed: **Mar. 29, 1996**
[51] LOC (6) Cl. **30-99**
[52] U.S. Cl. **D30/161; D30/118**
[58] Field of Search 119/452-453, 417, 119/168, 165-166, 28.5, 499, 161; D30/101, 118, 108, 109, 161

5,311,837 5/1994 Mamer-Baellstorff 119/28.5

FOREIGN PATENT DOCUMENTS

3028579 2/1982 Germany 119/168

OTHER PUBLICATIONS

Master Animal Care catalog; p. 7; #28507000 Whelper Helper pen.

Primary Examiner—Cathy Anne MacCormac
Attorney, Agent, or Firm—Fay, Sharpe, Beall, Fagan, Minnich & McKee

[57] CLAIM

The ornamental design for a ferret litter pan, as shown.

DESCRIPTION

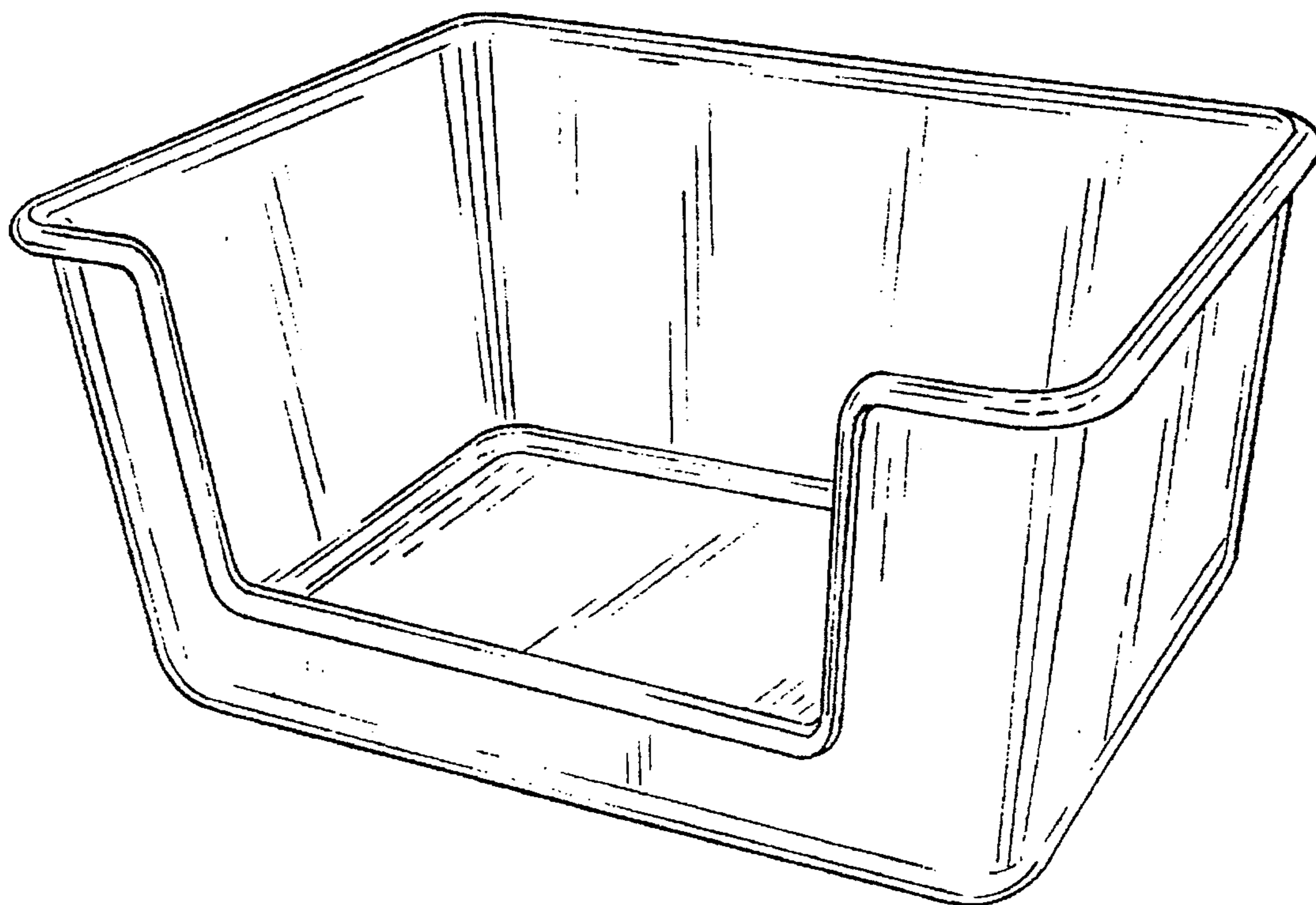
FIG. 1 is a perspective view of the ferret litter pan from the top right thereof showing my new design;
FIG. 2 is a front elevational view thereof;
FIG. 3 is a top plan view thereof;
FIG. 4 is a rear elevational view thereof;
FIG. 5 is a left side elevational view thereof, the right side being a mirror image thereof; and,
FIG. 6 is a bottom plan view thereof.

[56] References Cited

U.S. PATENT DOCUMENTS

D. 90,981	11/1933	Greene	D30/161
D. 351,488	10/1994	Tominaga	D30/101
2,499,103	2/1950	Love	119/28.5
3,552,356	1/1971	Rosenthal	119/28.5
3,581,977	6/1971	Kirsky	119/168
3,890,931	6/1975	Sauer	119/161
4,014,292	3/1977	Coughlin et al.	119/168
5,265,558	11/1993	Schönrock	119/28.5

1 Claim, 3 Drawing Sheets



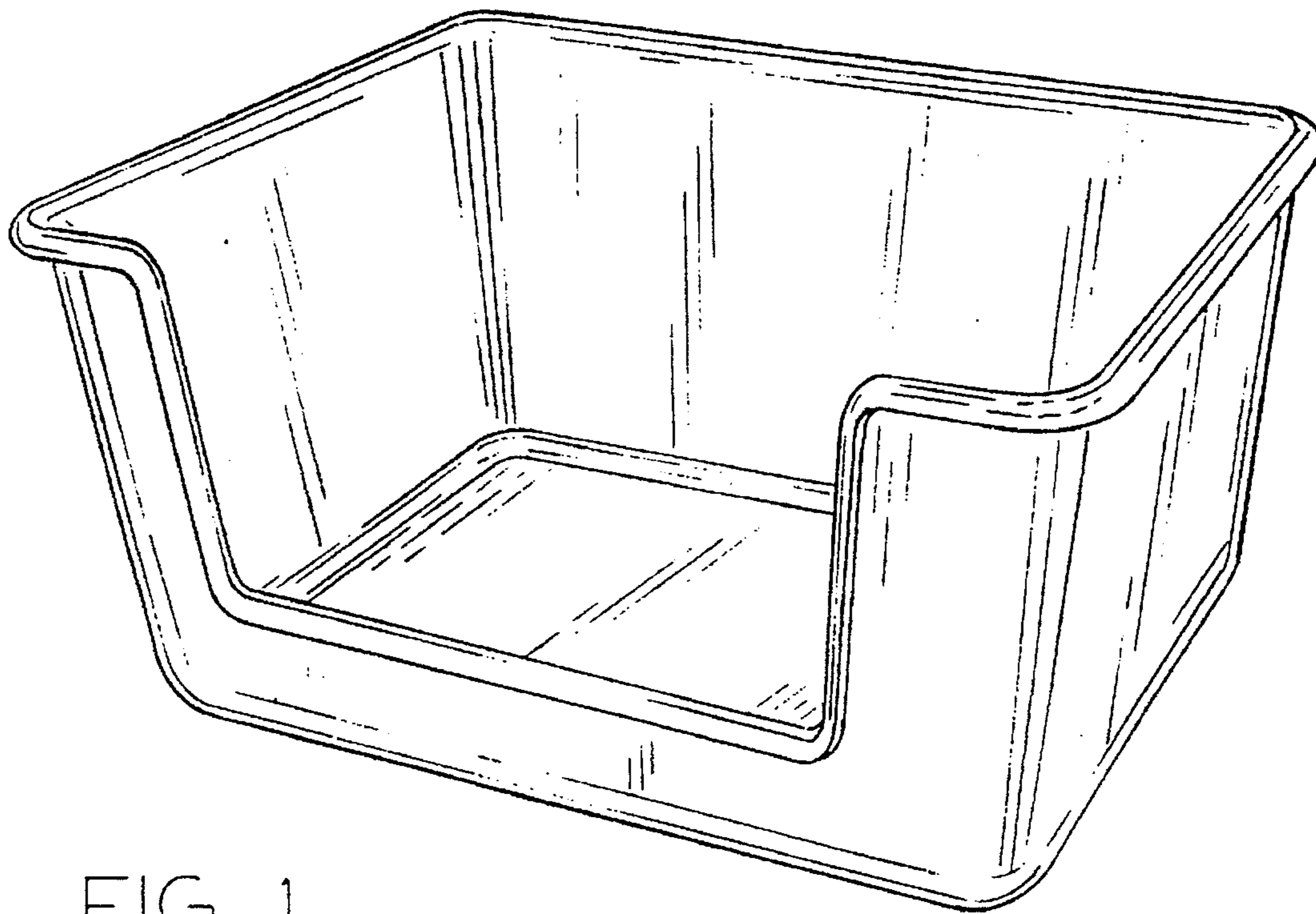


FIG. 1

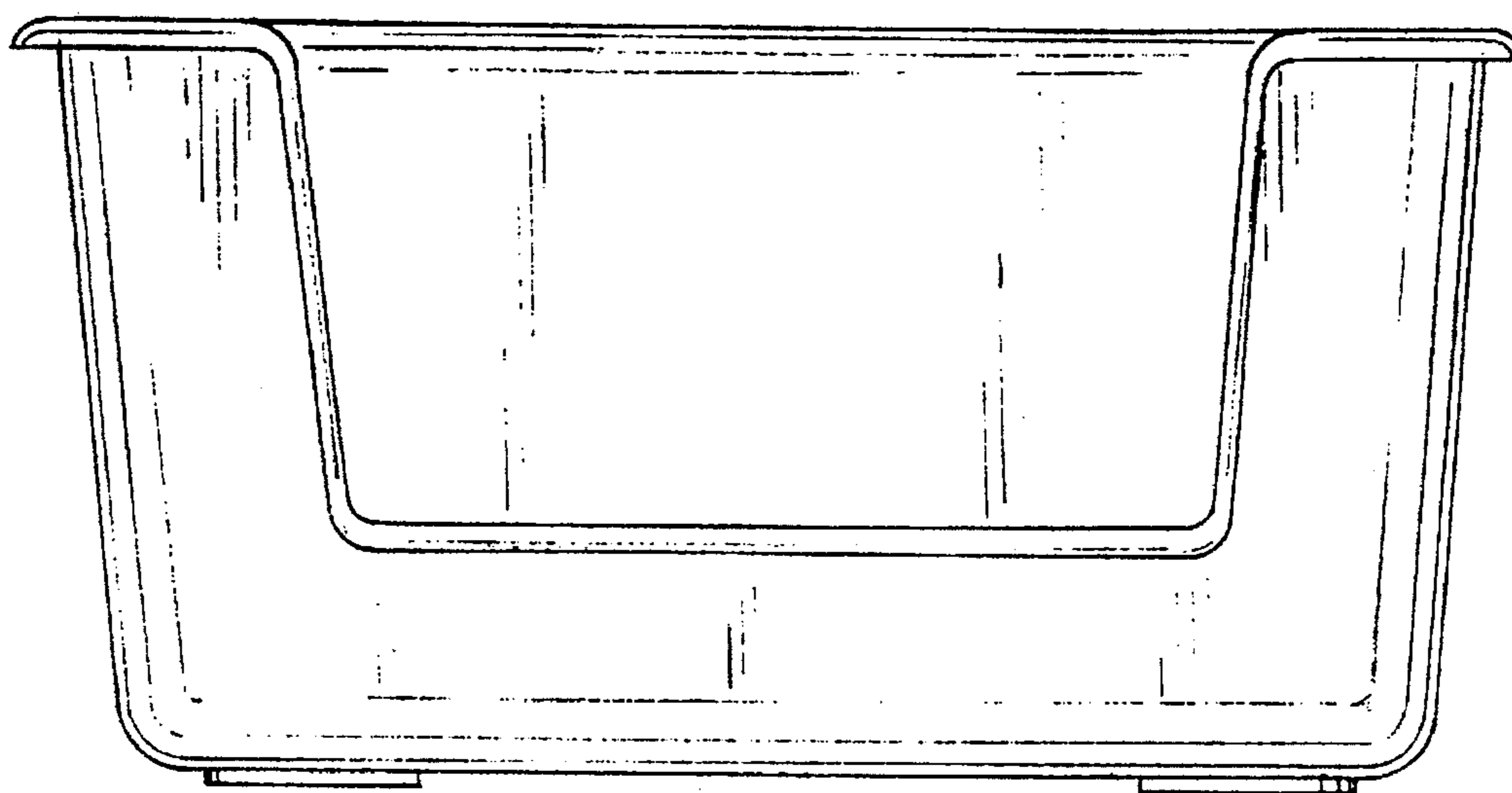


FIG. 2

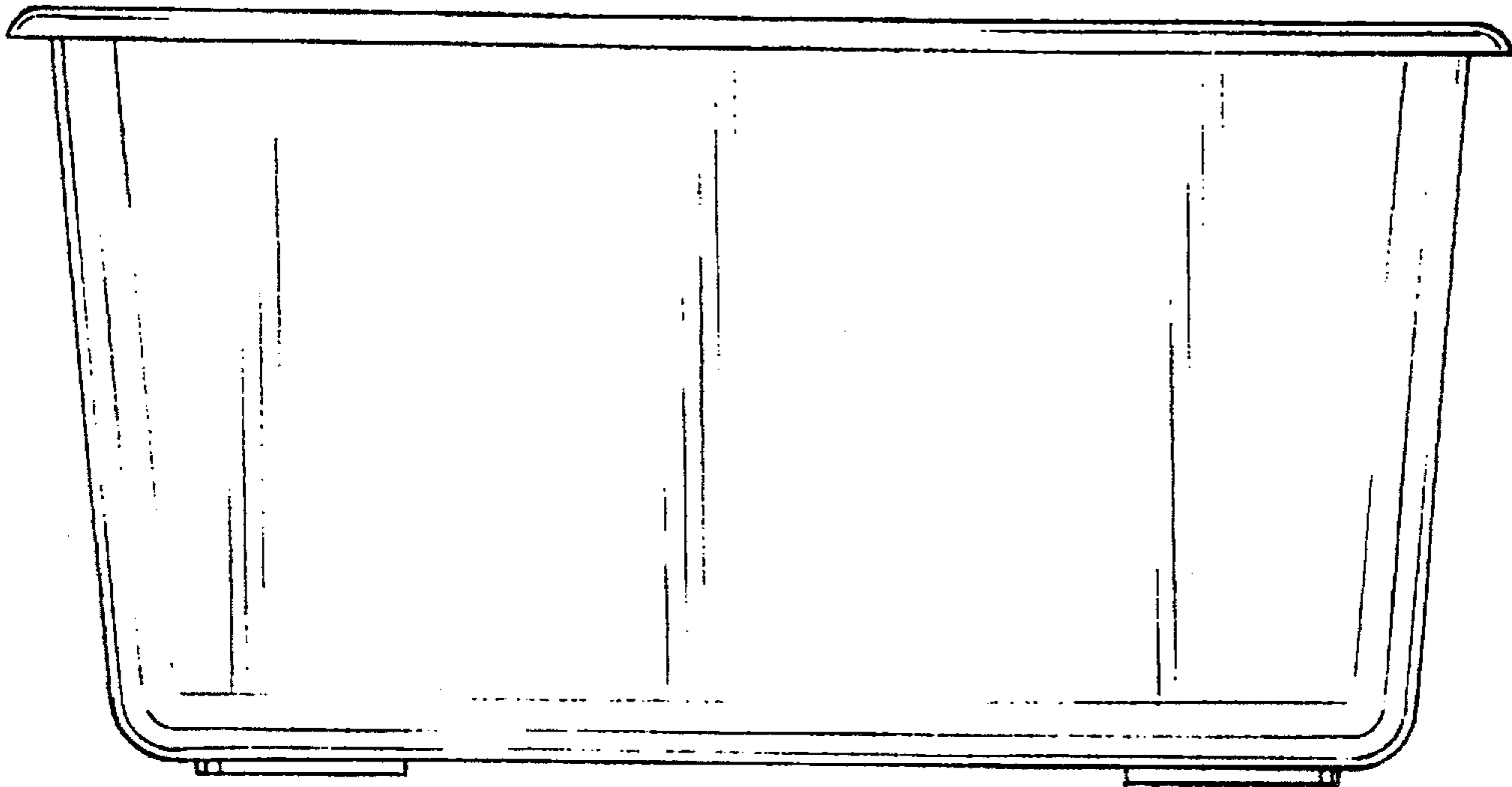


FIG. 4

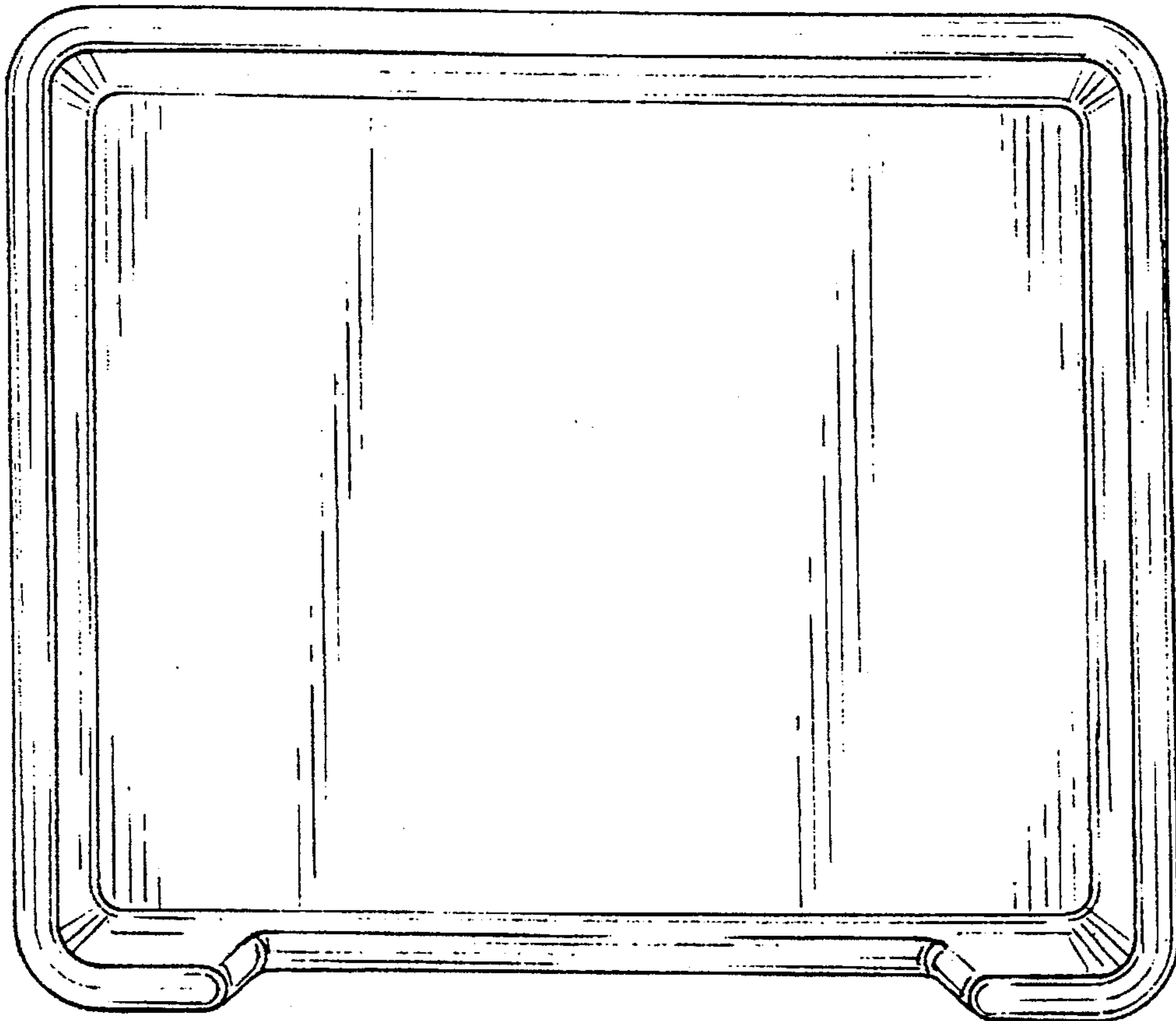


FIG. 3

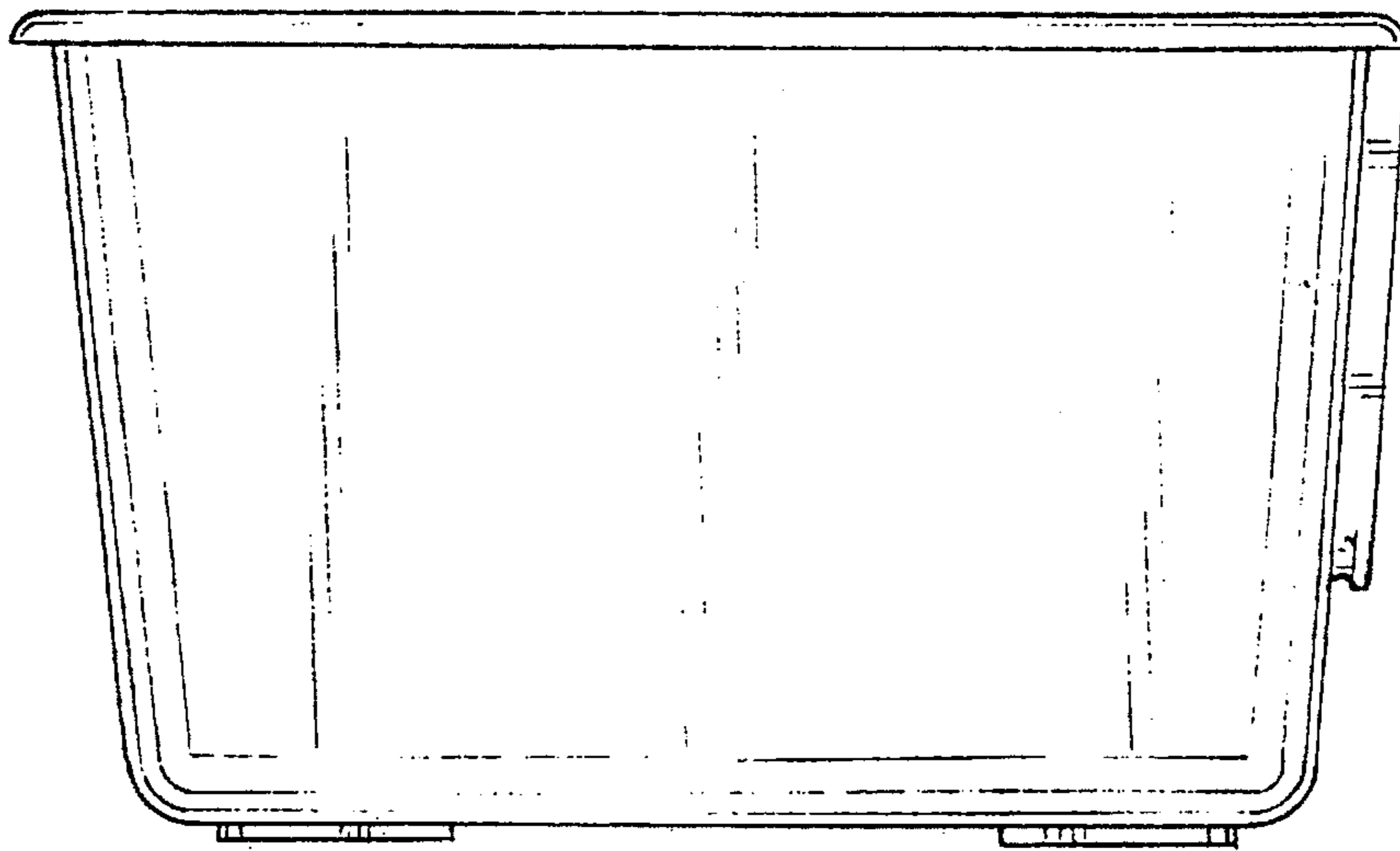


FIG. 5

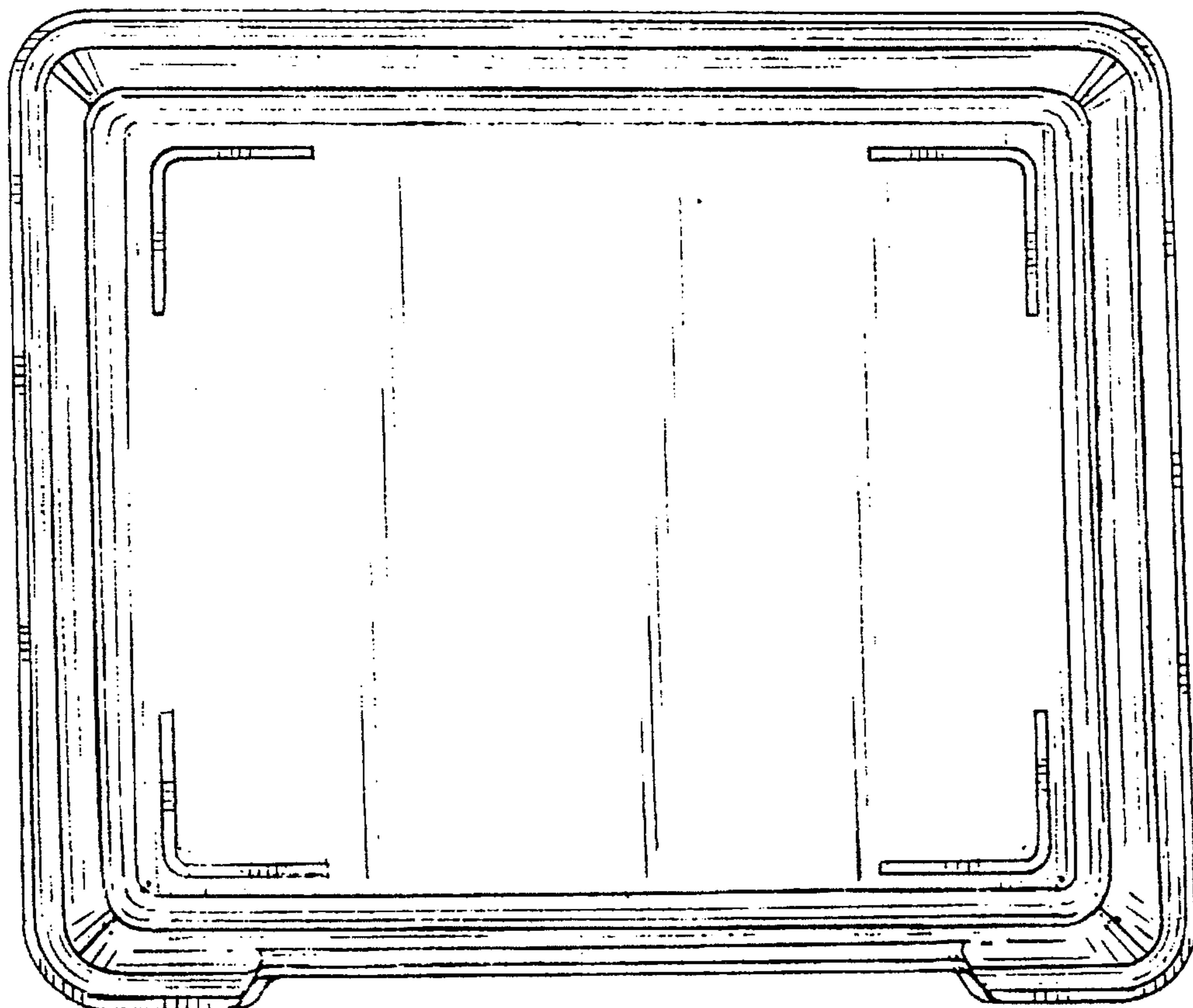


FIG. 6