



US00D380878S

United States Patent [19]
Brown

[11] **Patent Number:** **Des. 380,878**

[45] **Date of Patent:** ****Jul. 8, 1997**

[54] **BIRD FEEDER**

[76] **Inventor:** **Arthur C. Brown**, P.O. Box 277, West Kingston, R.I. 02892

[**] **Term:** **14 Years**

[21] **Appl. No.:** **53,114**

[22] **Filed:** **Apr. 16, 1996**

[51] **LOC (6) Cl.** **30-07**

[52] **U.S. Cl.** **D30/121; D30/121**

[58] **Field of Search** **D30/121, 122, D30/124, 125, 128, 199; 119/57.8, 57.9**

[56] **References Cited**

U.S. PATENT DOCUMENTS

D. 194,683	2/1963	Clegg	D30/125
D. 352,574	11/1994	Brown	D30/121
D. 368,336	3/1996	Brown	D30/121
D. 372,562	8/1996	Brown	D30/125
5,269,258	12/1993	Brown	119/57.9
5,454,348	10/1995	Colwell et al.	119/72

OTHER PUBLICATIONS

"Duncraft" Catalog. Oriole Fruit Feeder, p. 24 Mar. 1991.

Primary Examiner—Louis S. Zarfes

Assistant Examiner—Gregory Andoll

Attorney, Agent, or Firm—Barlow & Barlow, Ltd.

[57] **CLAIM**

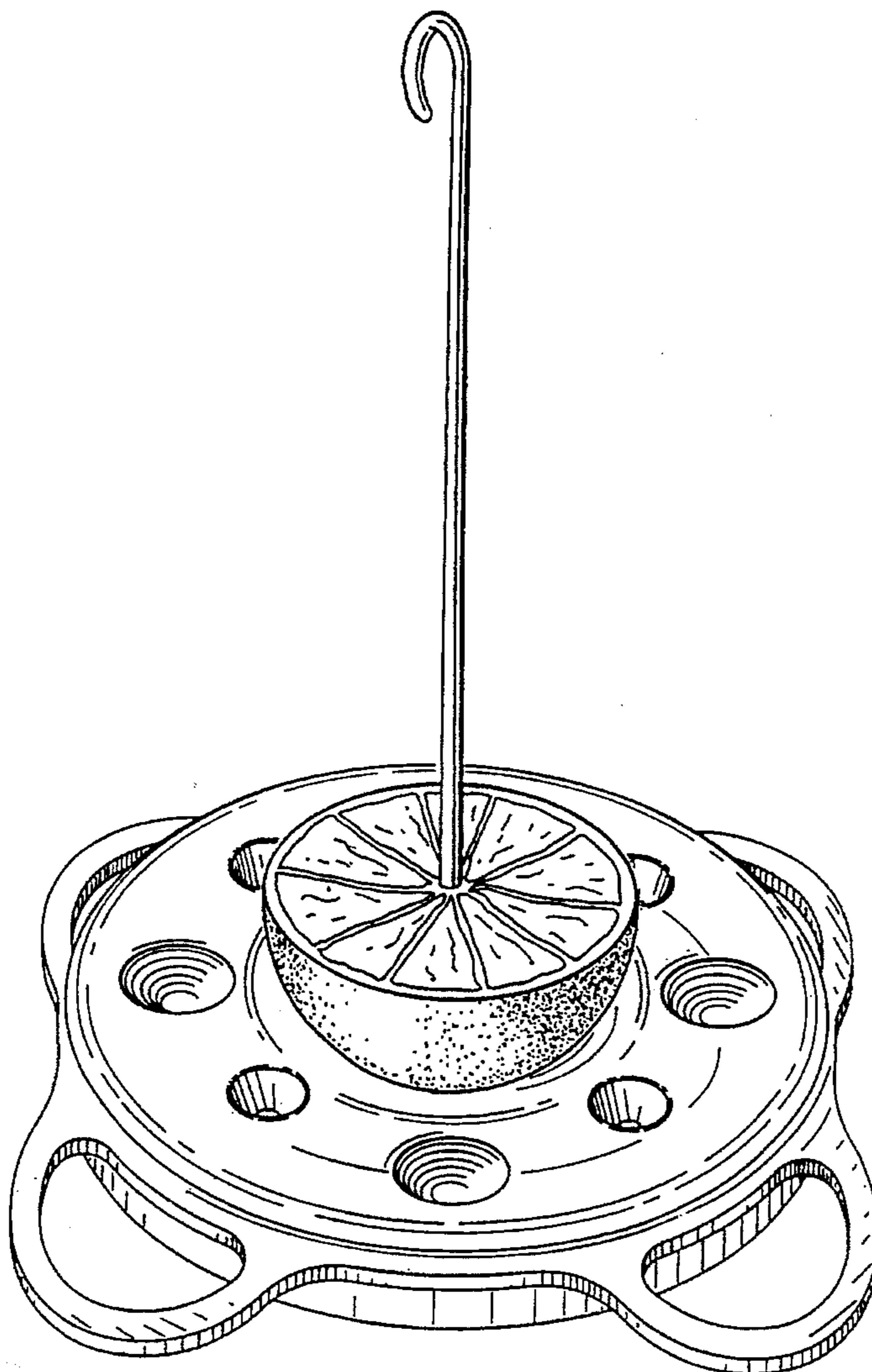
The ornamental design for a bird feeder, as shown and described.

DESCRIPTION

FIG. 1 is a perspective view of a bird feeder of the invention; FIG. 2 is a top plan view of the bird feeder of FIG. 1; FIG. 3 is a bottom plan view of the bird feeder of FIG. 1; FIG. 4 is a front view of the bird feeder of FIG. 1; FIG. 5 is a rear view of the bird feeder of FIG. 1; FIG. 6 is a first side view of the bird feeder of FIG. 1; and, FIG. 7 is a second, opposite side view of the bird feeder of FIG. 1.

The broken away showing of the hangar in FIGS. 4-7 to indicates that it is of indeterminate length.

1 Claim, 4 Drawing Sheets



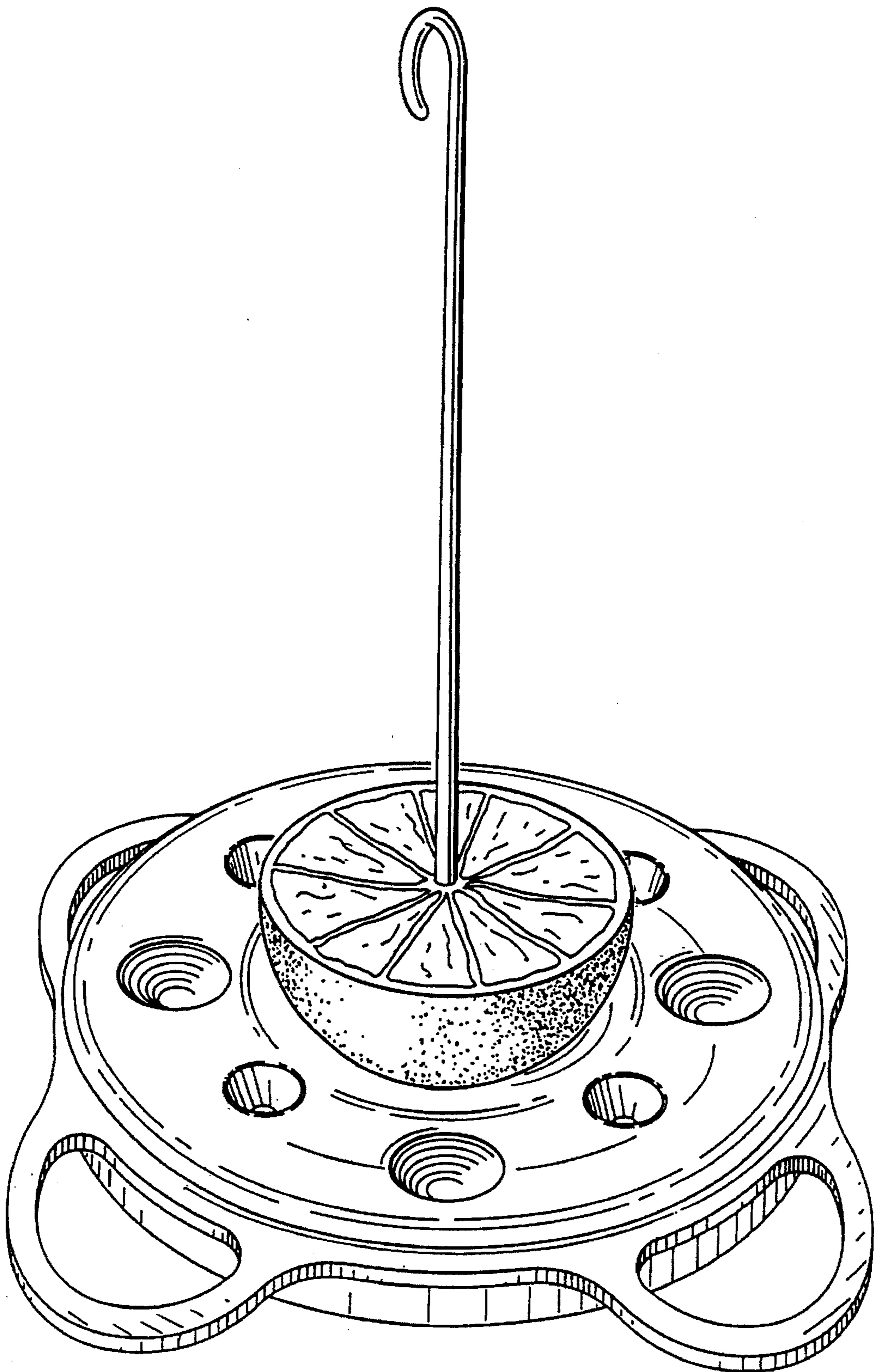


FIG. 1

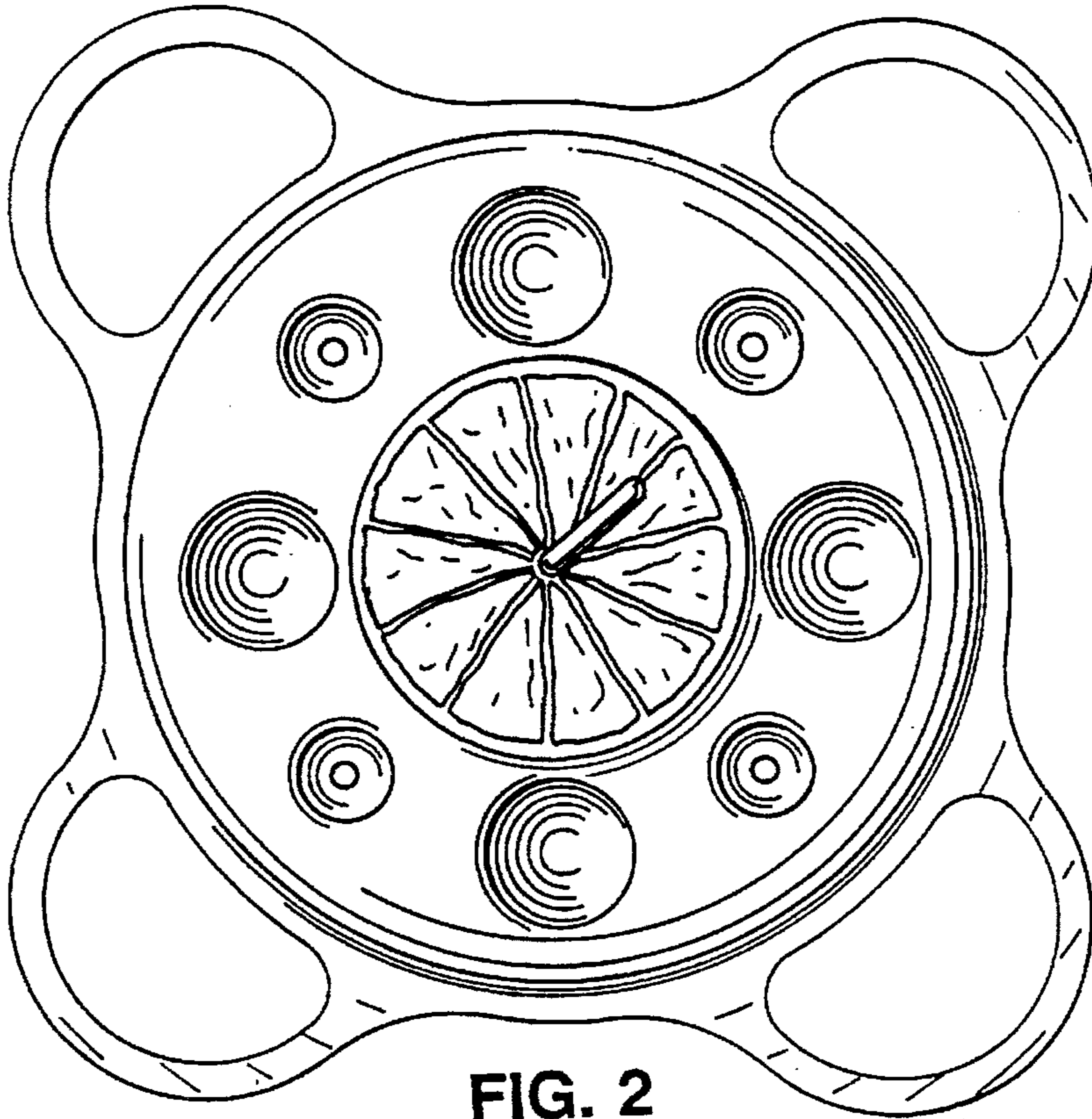


FIG. 2

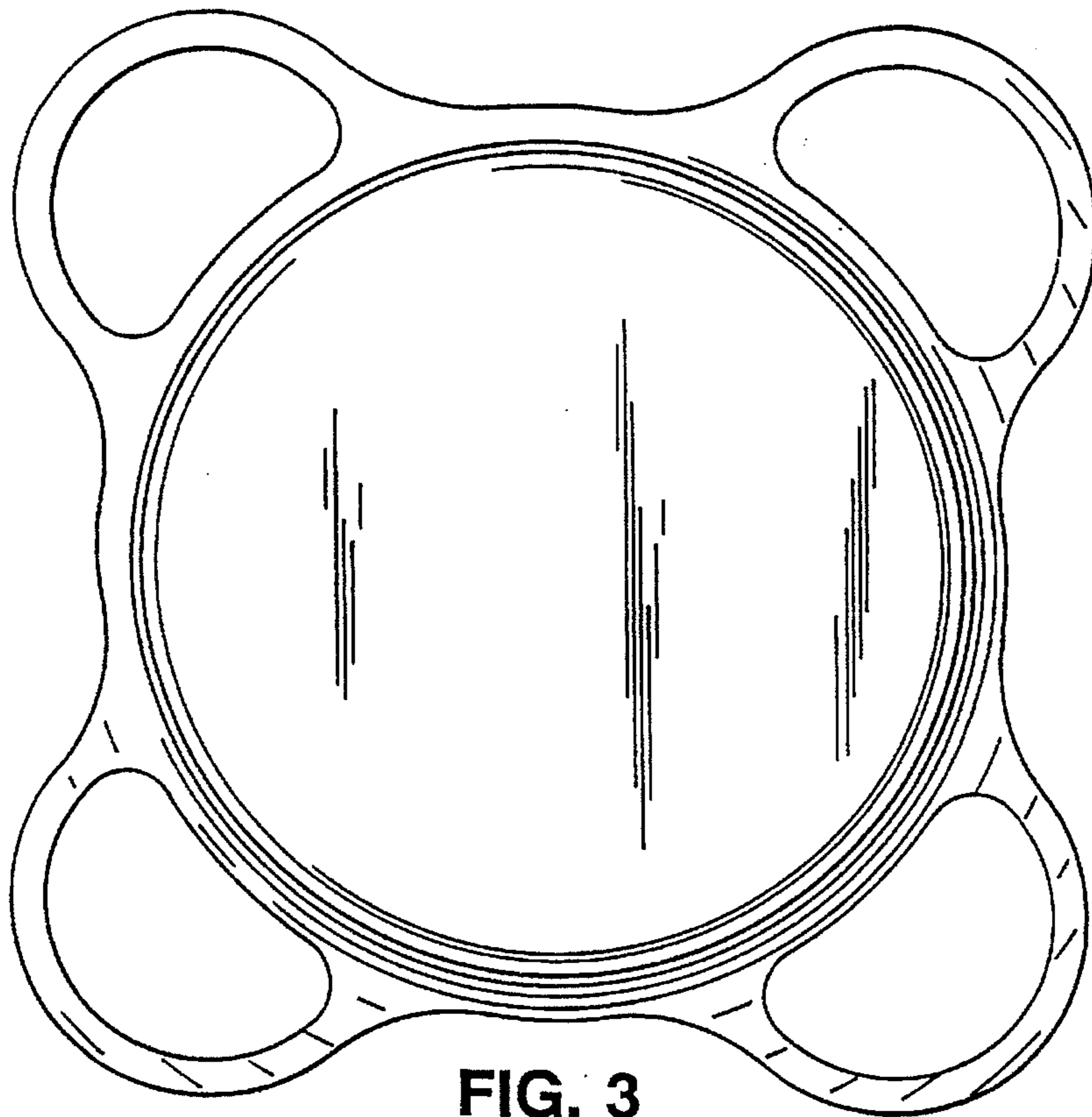


FIG. 3

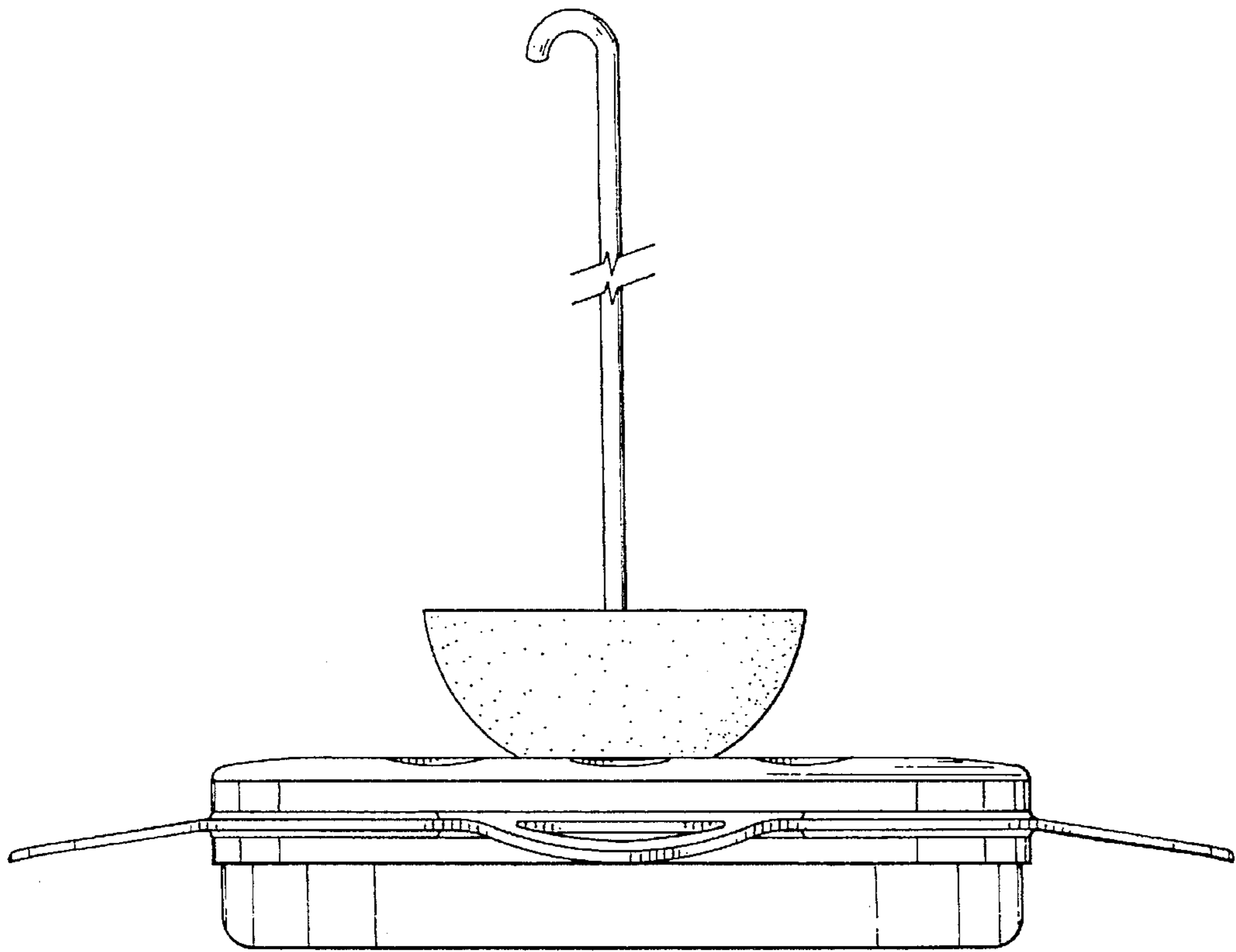


FIG. 4

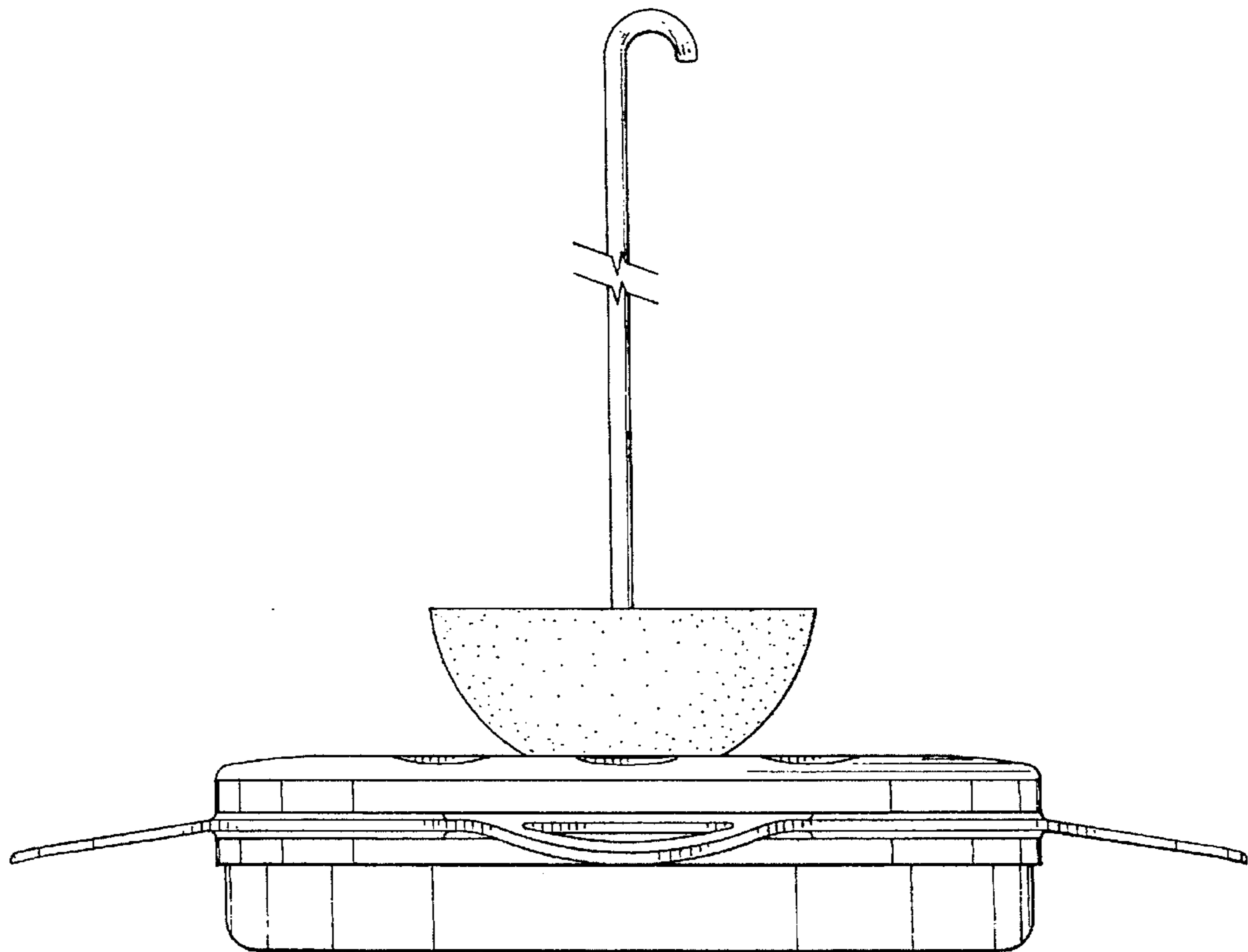


FIG. 5

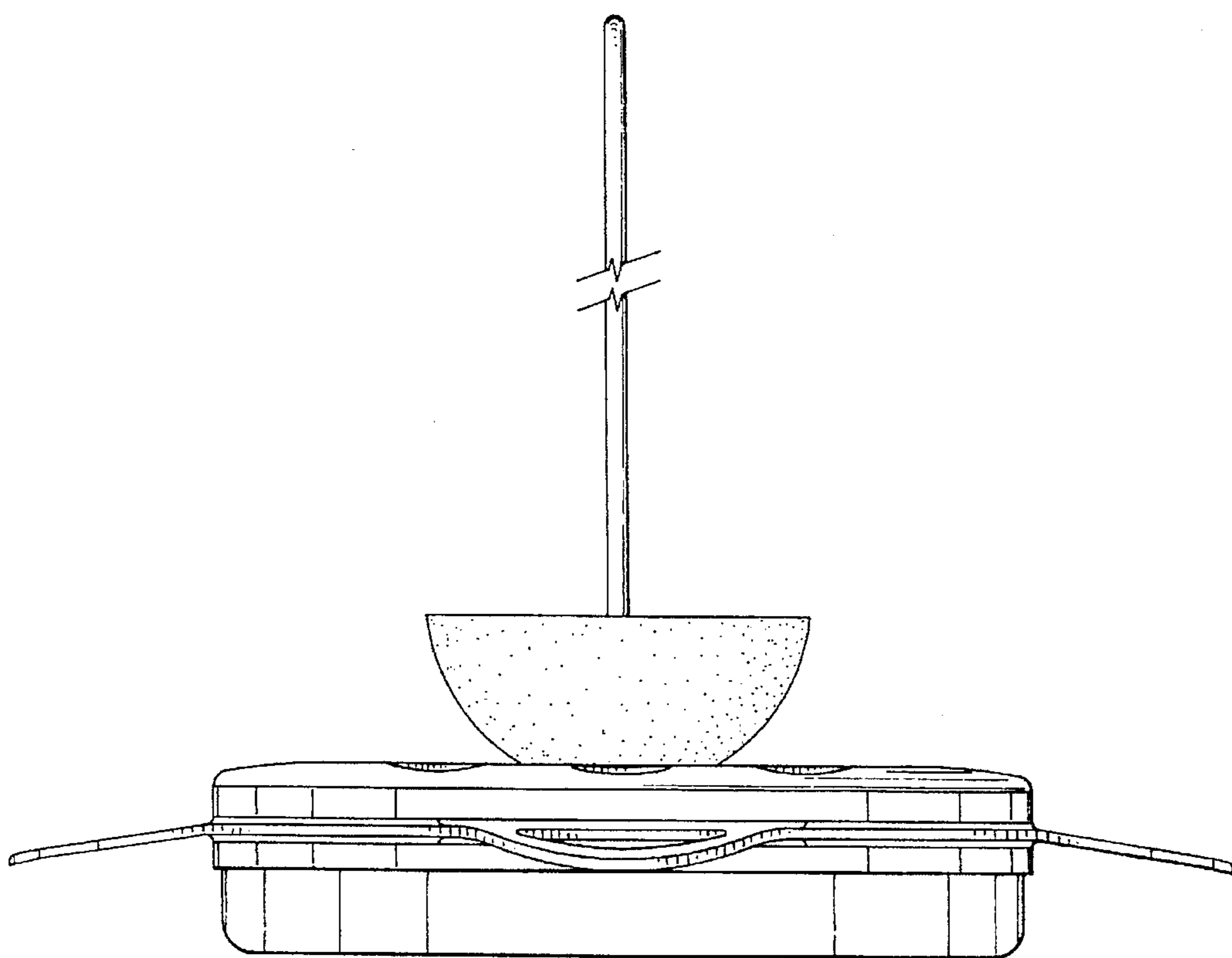


FIG. 6

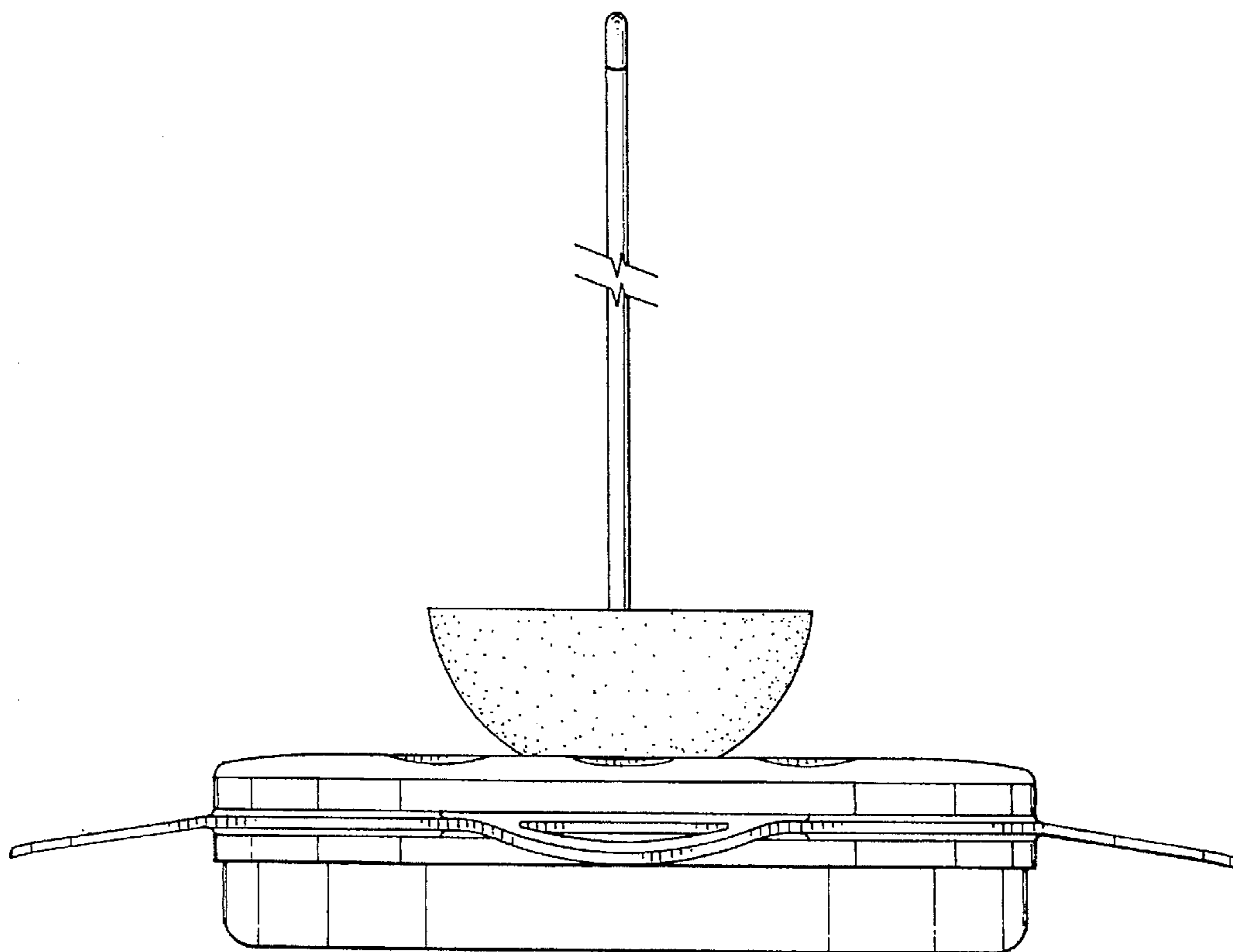


FIG. 7