



US00D380877S

United States Patent [19]
McNaughton

[11] **Patent Number:** **Des. 380,877**
[45] **Date of Patent:** ****Jul. 8, 1997**

[54] **BIRD FEEDER BASE**

Attorney, Agent, or Firm—Gregory P. Kaihoi

[75] Inventor: **Patrick McNaughton**, Plymouth, Minn.

[57] **CLAIM**

[73] Assignee: **McNaughton Incorporated**,
Minneapolis, Minn.

The ornamental design for a bird feeder base, as shown.

[**] Term: **14 Years**

DESCRIPTION

[21] Appl. No.: **50,526**

FIG. 1 is a front, left, upper perspective view of a first embodiment of the bird feeder base of my invention;

[22] Filed: **Dec. 6, 1995**

FIG. 2 is a top view thereof;

[51] **LOC (6) Cl.** **30-07**

FIG. 3 is a front elevational view thereof;

[52] **U.S. Cl.** **D30/124; D30/133**

FIG. 4 is a right side view thereof;

[58] **Field of Search** D30/121, 124,
D30/125, 126, 127, 128, 131, 199, 133;
119/52.5, 52.3, 57.8, 57.9

FIG. 5 is a left side view thereof;

FIG. 6 is a rear view thereof;

FIG. 7 is a bottom view thereof;

[56] **References Cited**

FIG. 8 is a perspective view of a second embodiment of the bird feeder base of my invention;

U.S. PATENT DOCUMENTS

FIG. 9 is a top view thereof;

D. 57,119	2/1921	Eaton	D30/129
D. 302,875	8/1989	Earl	D30/124
D. 313,489	1/1991	Conner	D30/121
2,554,086	5/1951	Block	119/51.1
3,084,666	5/1963	Plaisance	119/69.5

FIG. 10 is an end view thereof;

FIG. 11 is a side view thereof;

FIG. 12 is an opposite side view thereof;

OTHER PUBLICATIONS

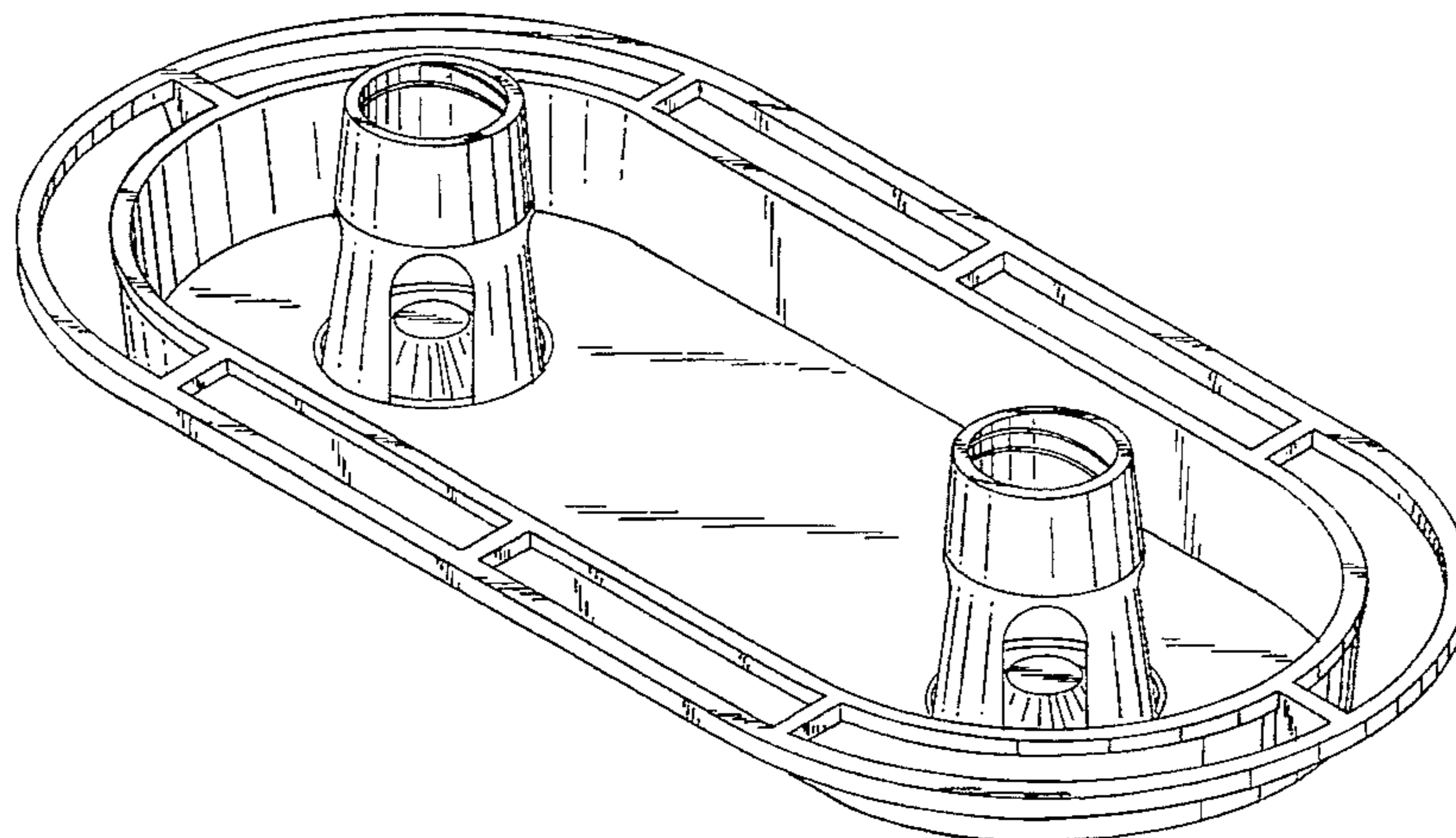
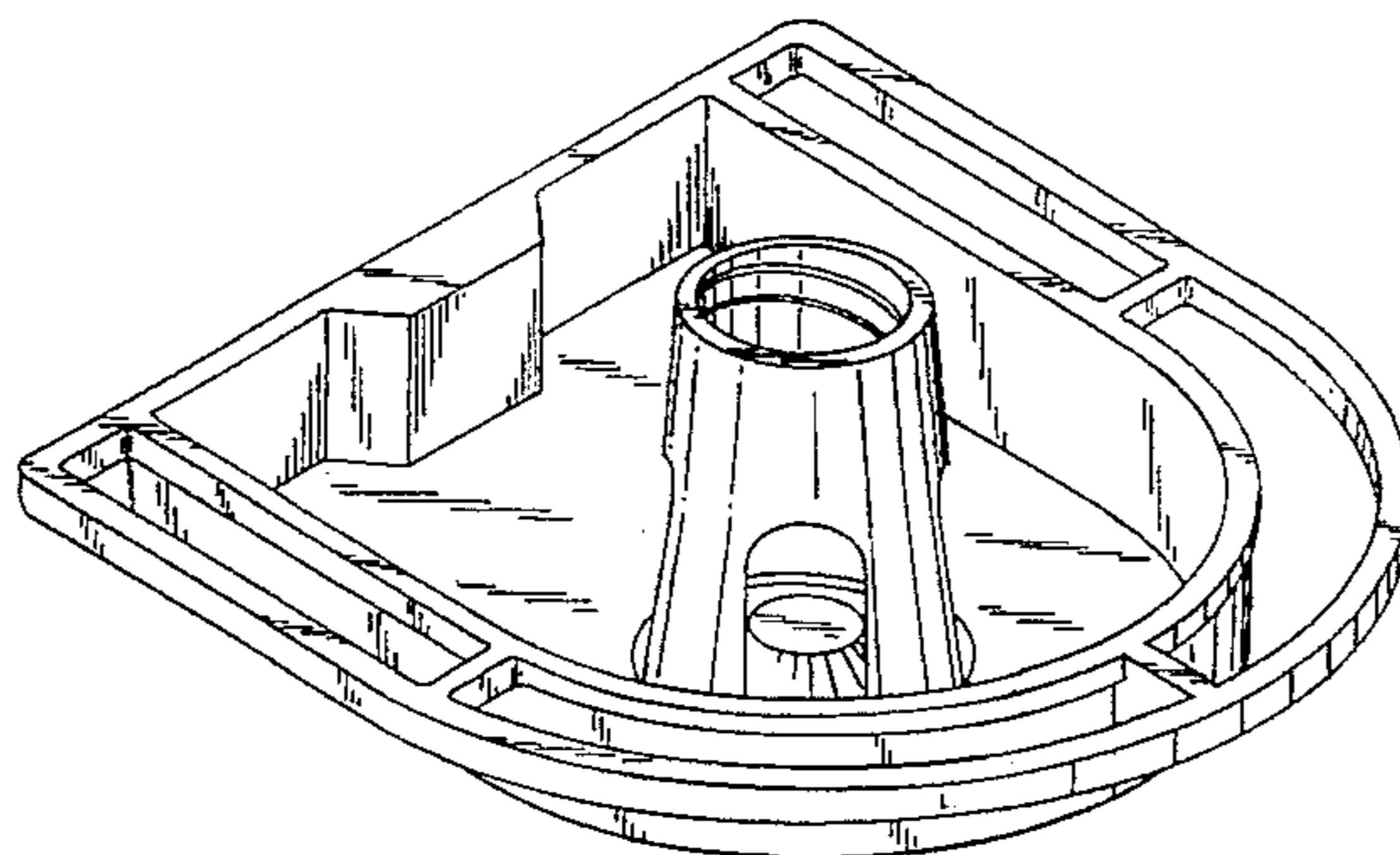
"Retail Home Furnishings", p. 72 *Bake ring* Jan. 1978.

FIG. 13 is an end view opposite the end depicted in FIG. 10;
and,

FIG. 14 is a bottom view thereof.

Primary Examiner—Louis S. Zarfaz
Assistant Examiner—Gregory Andoll

1 Claim, 8 Drawing Sheets



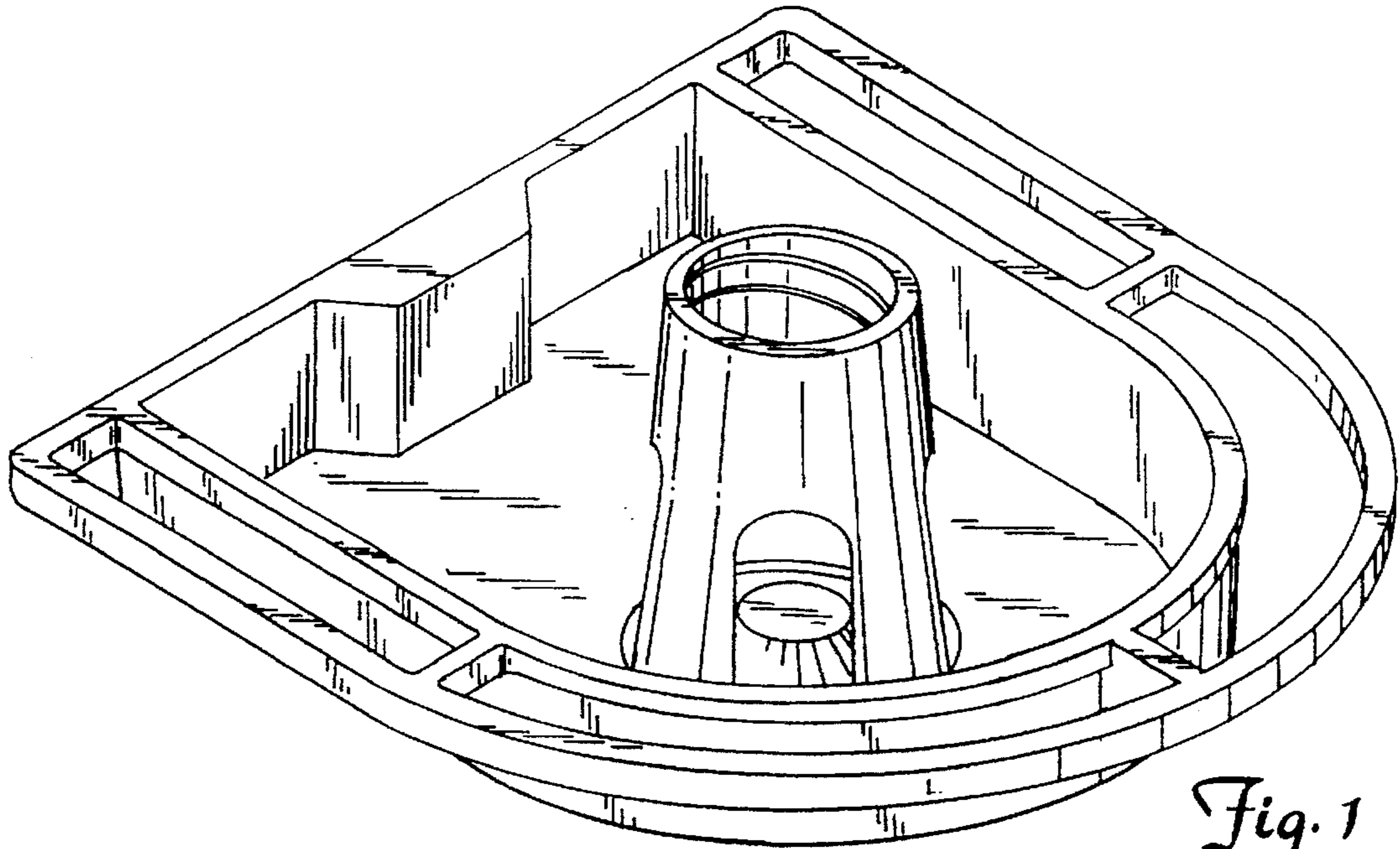


Fig. 1

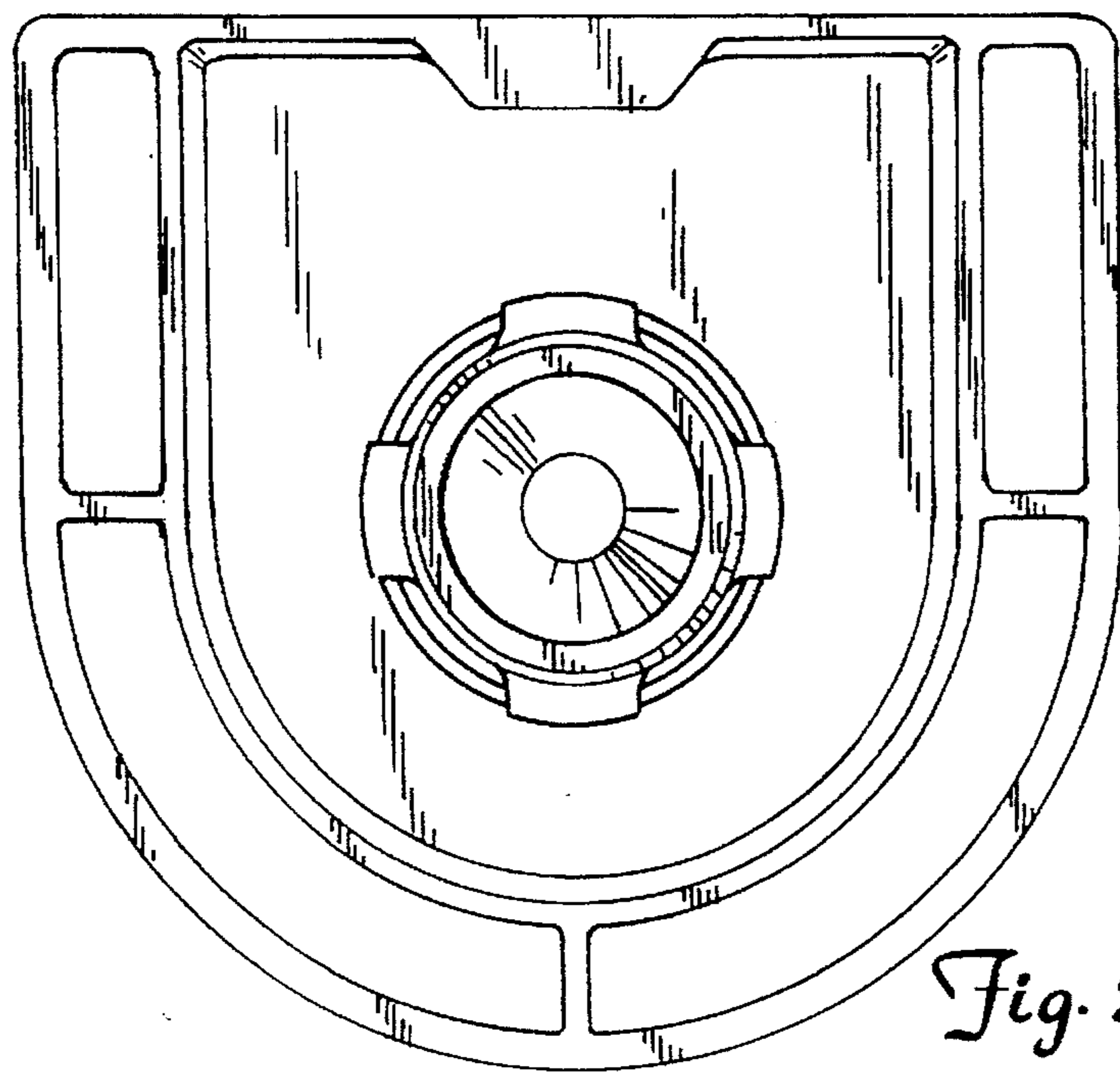


Fig. 2

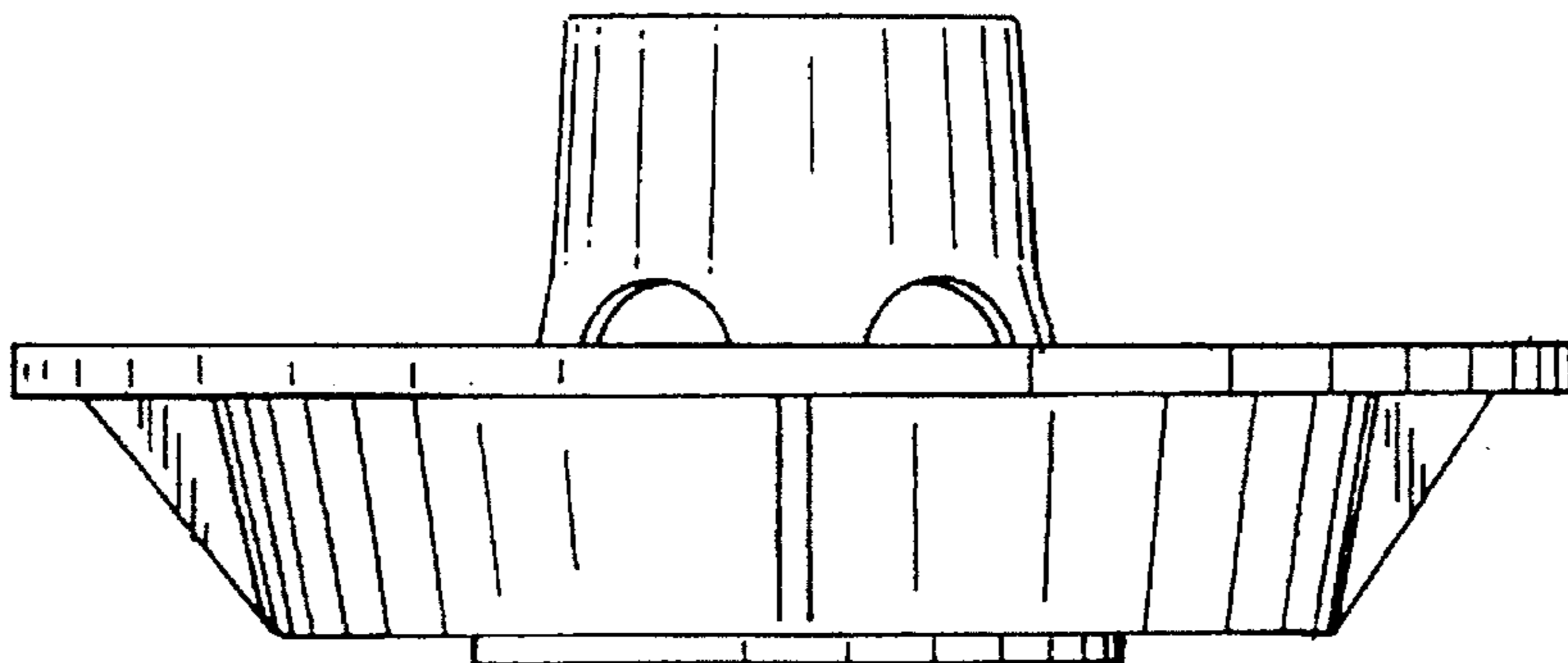


Fig. 3

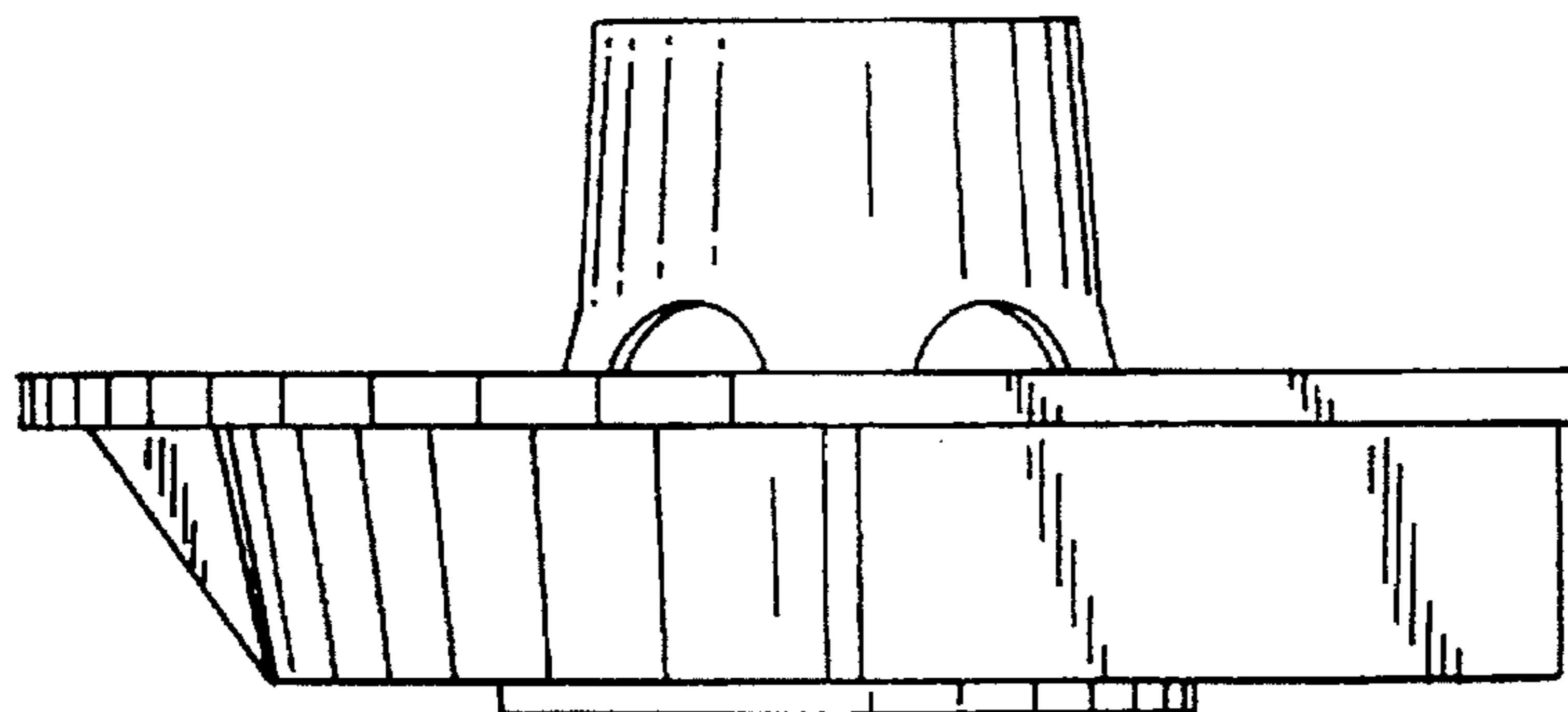


Fig. 4

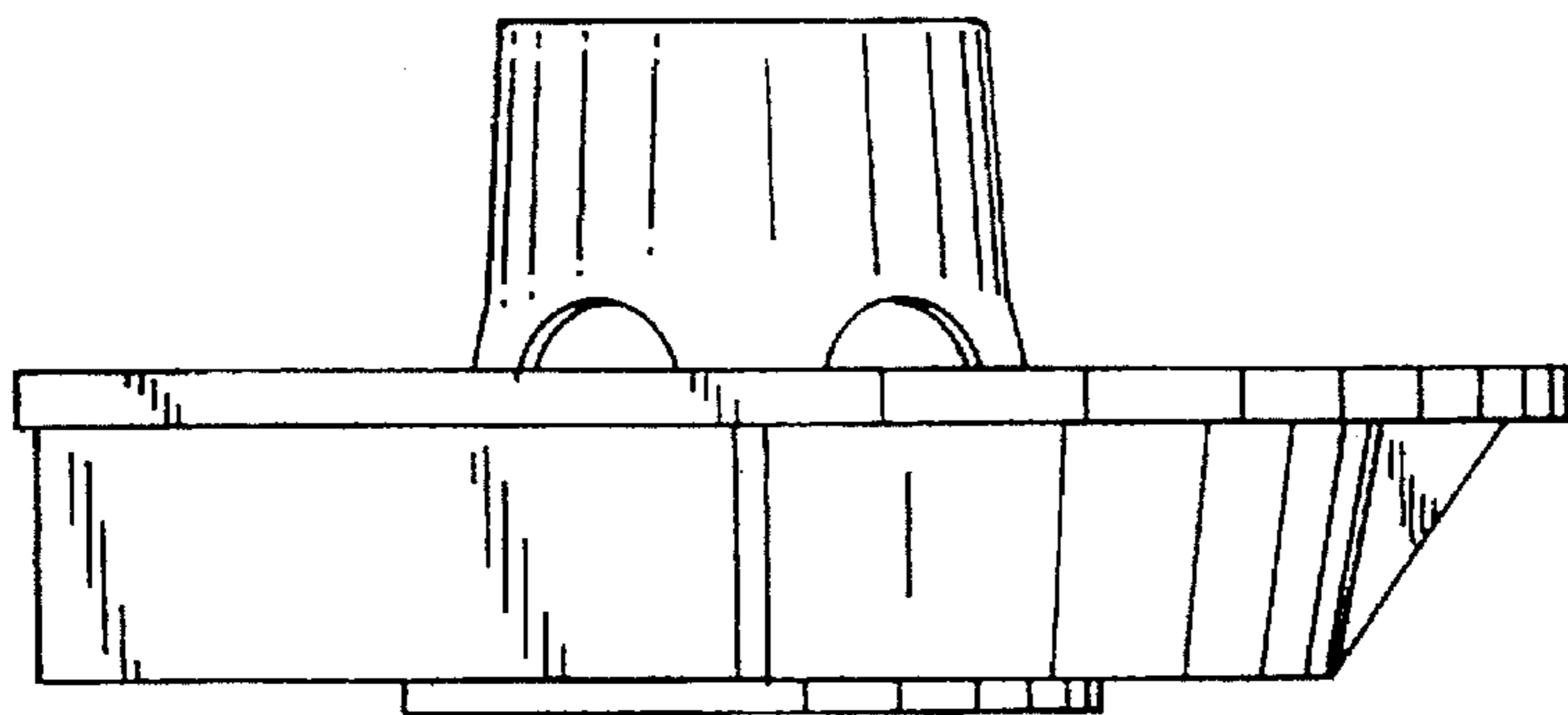


Fig. 5

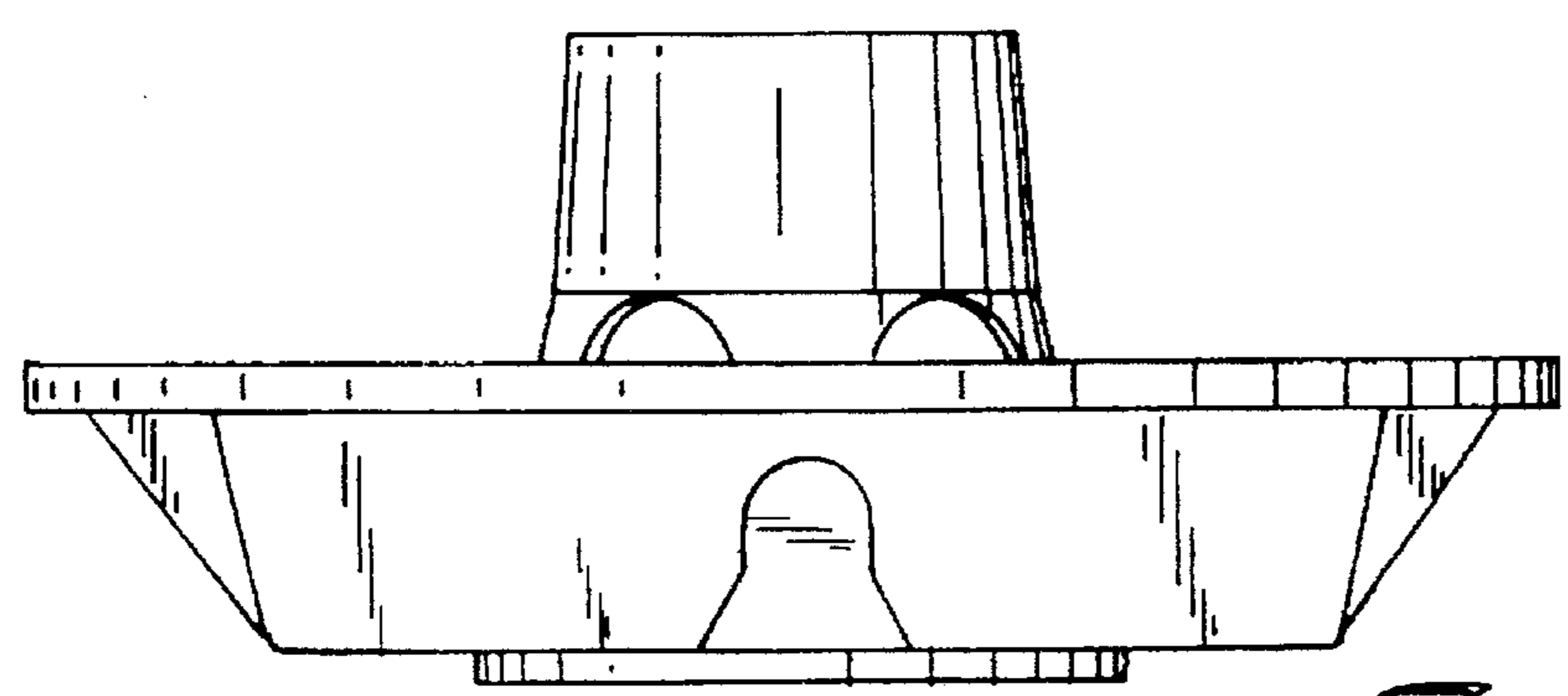


Fig 6

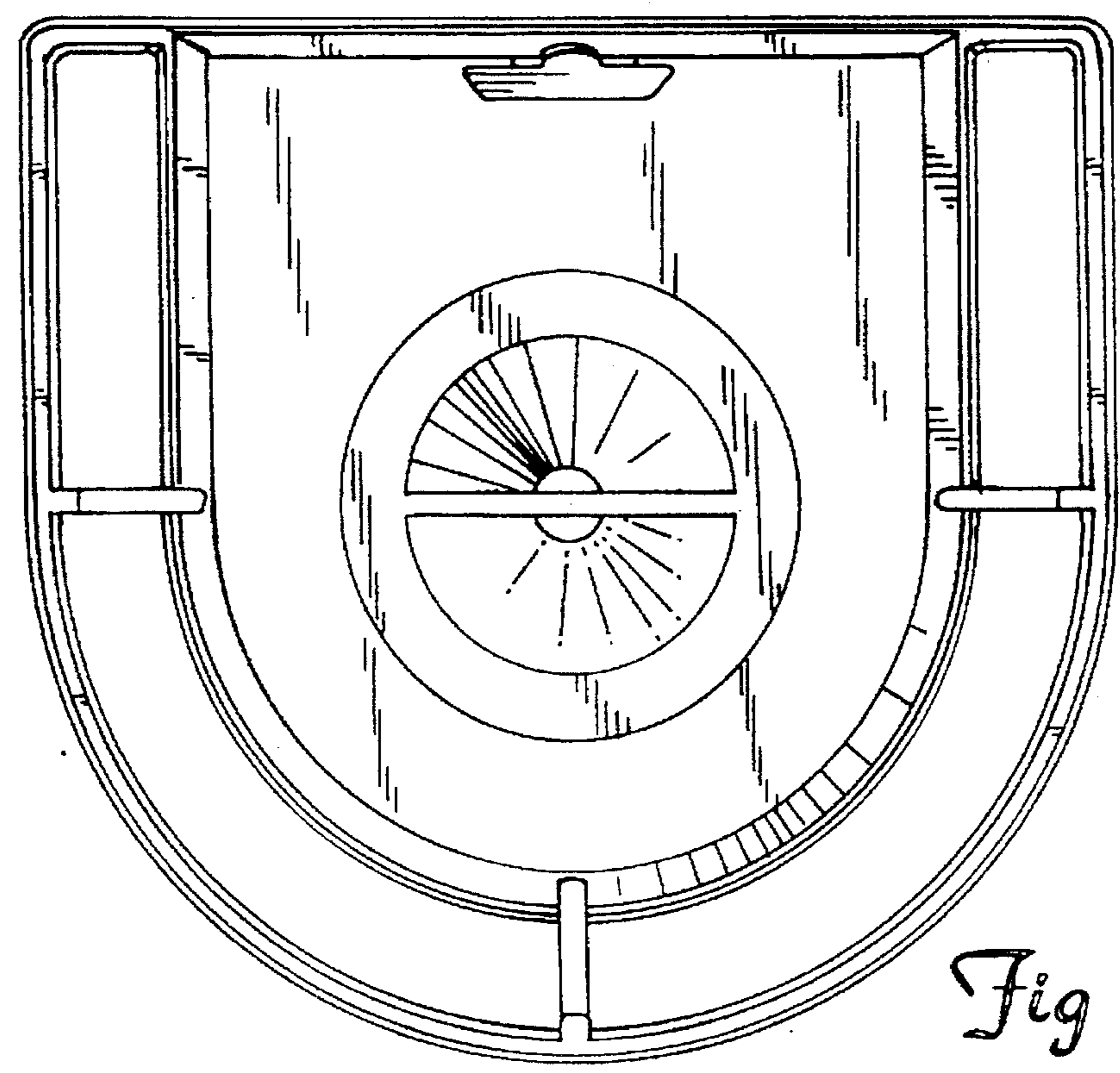


Fig 7

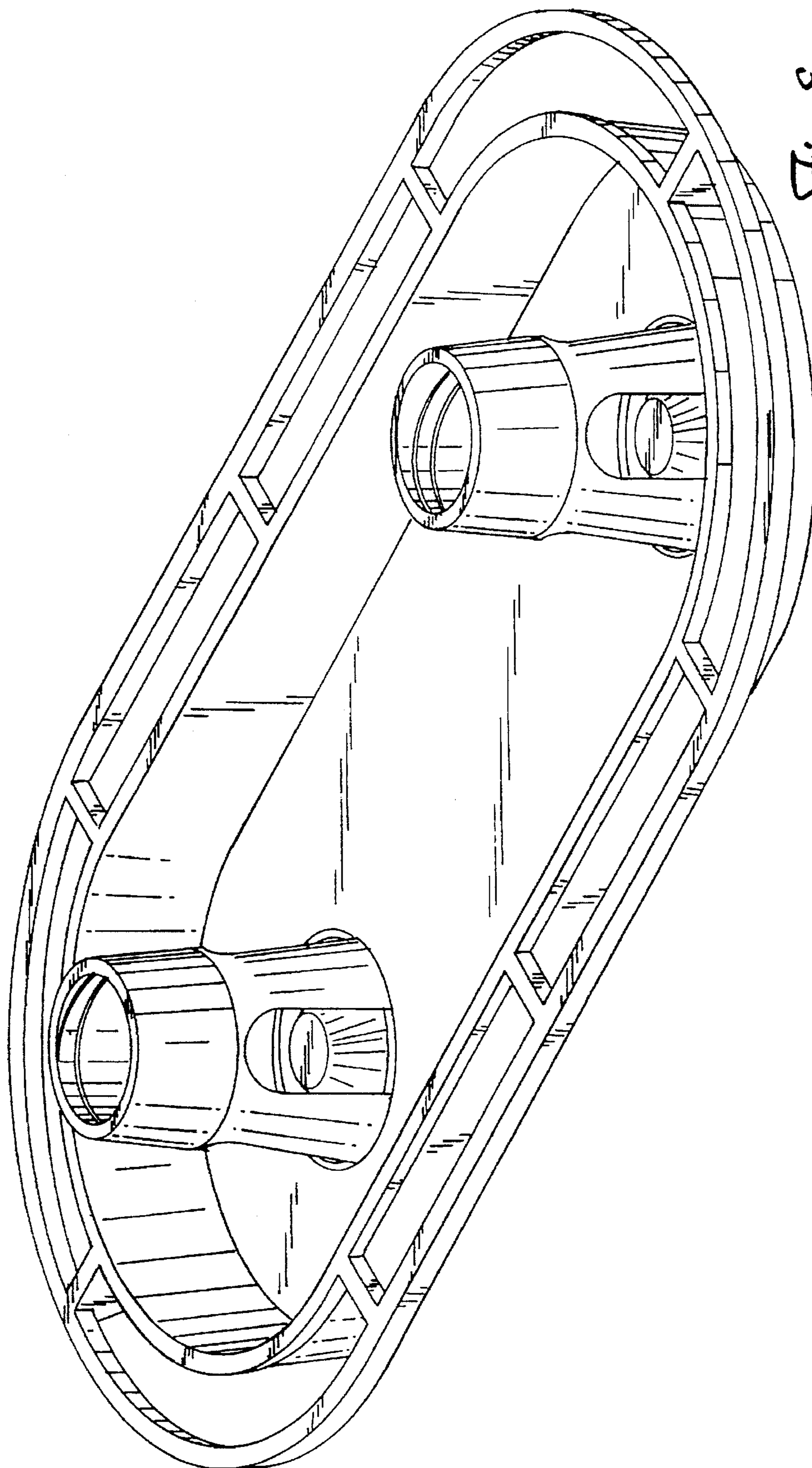


Fig. 8

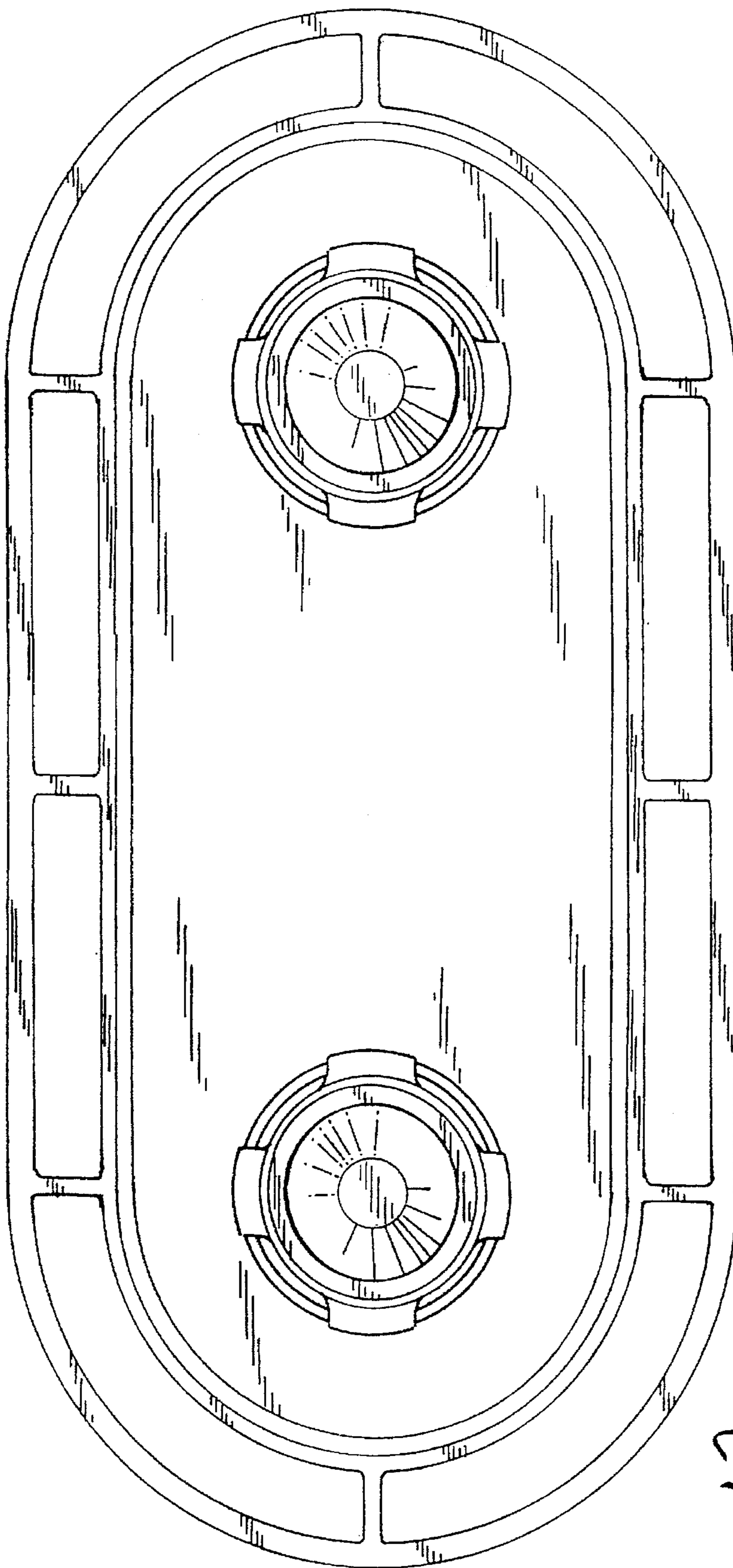


Fig. 9

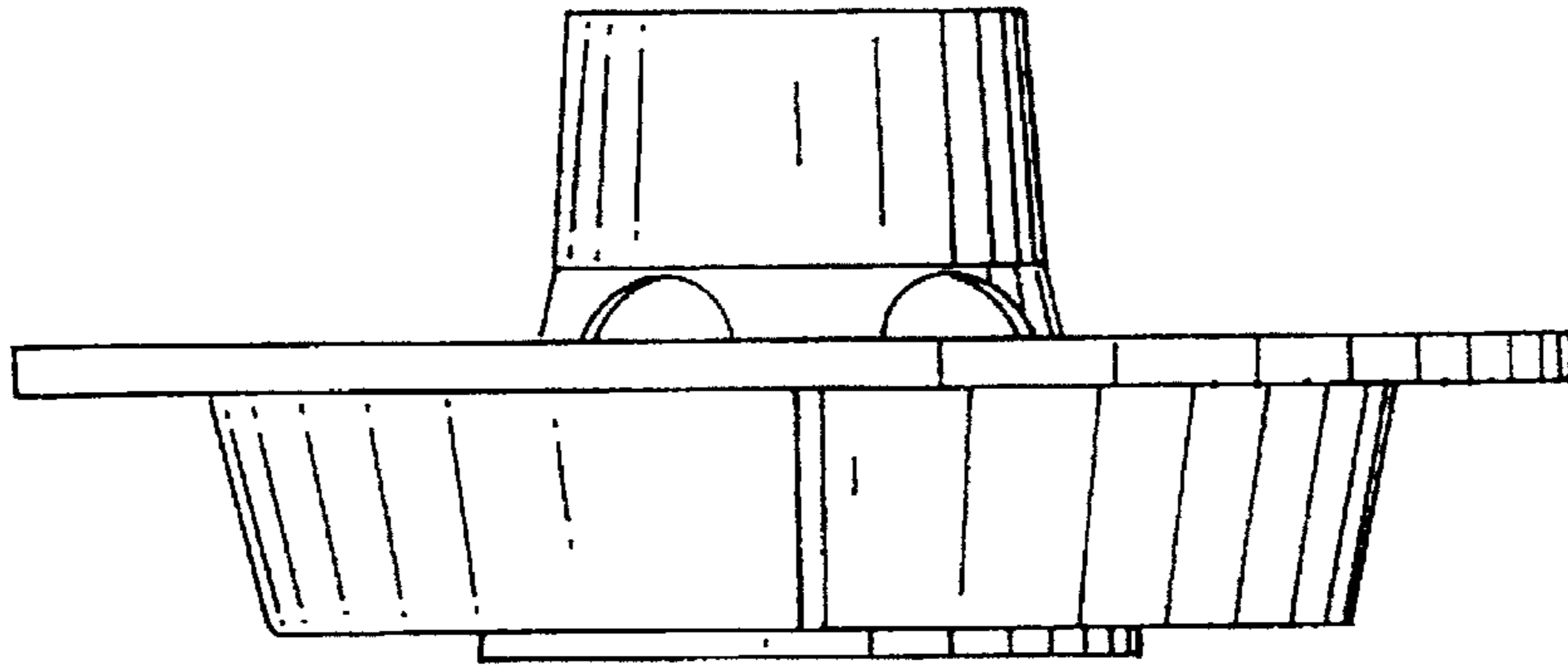


Fig 10

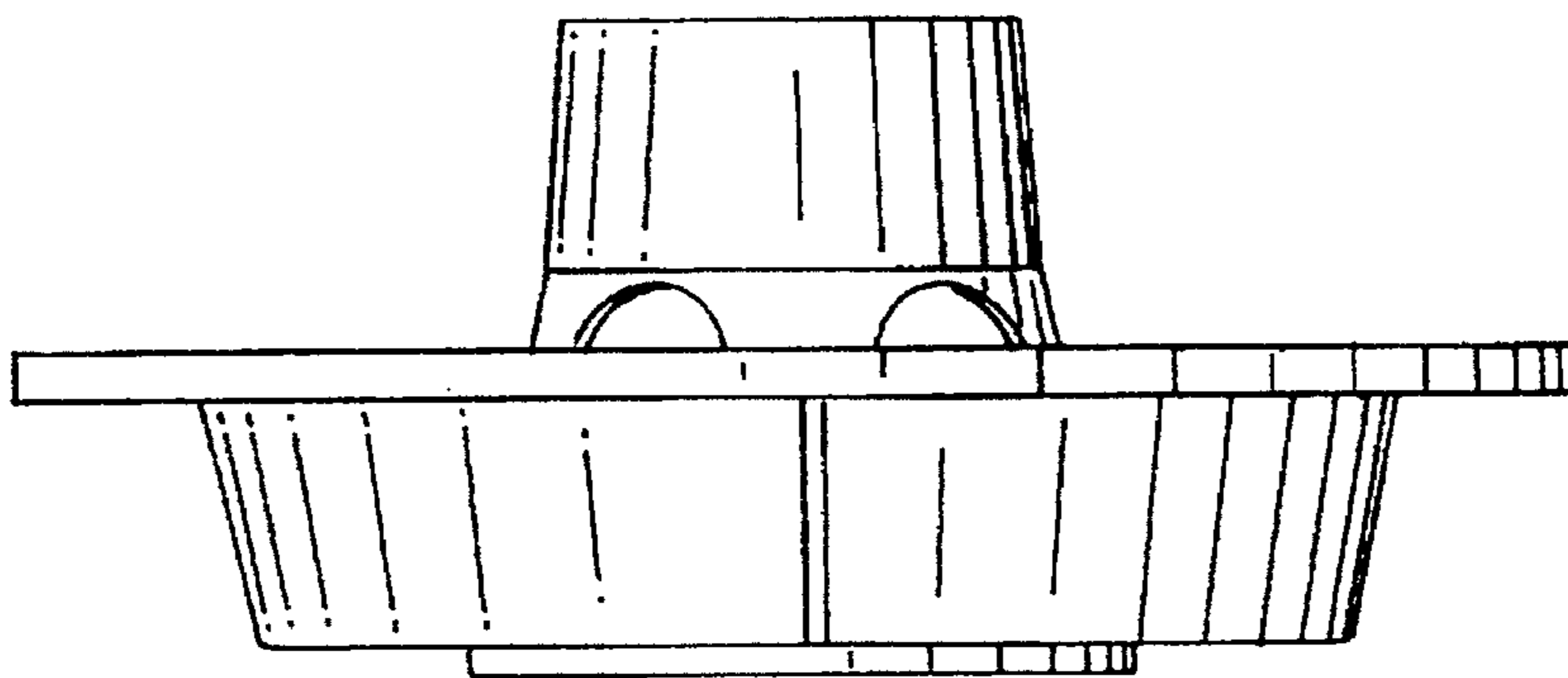


Fig 13

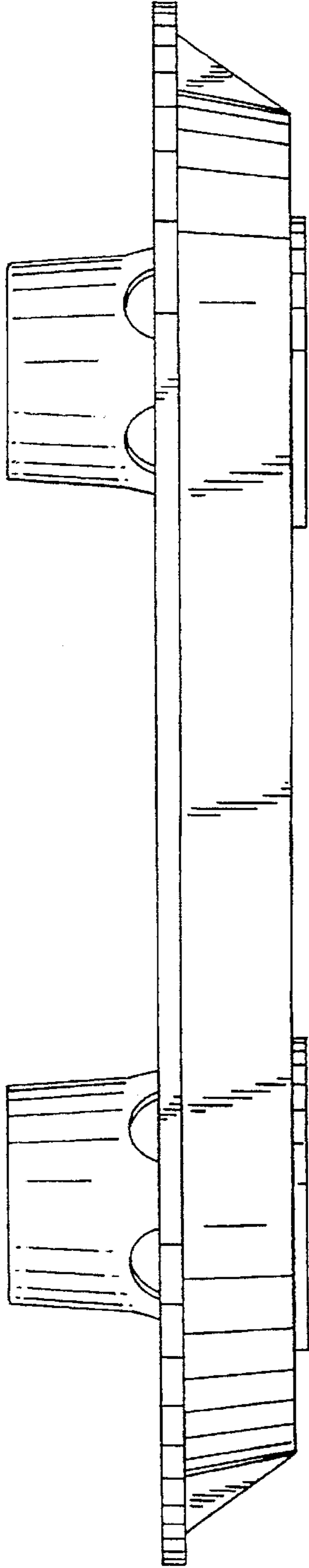


Fig. 11

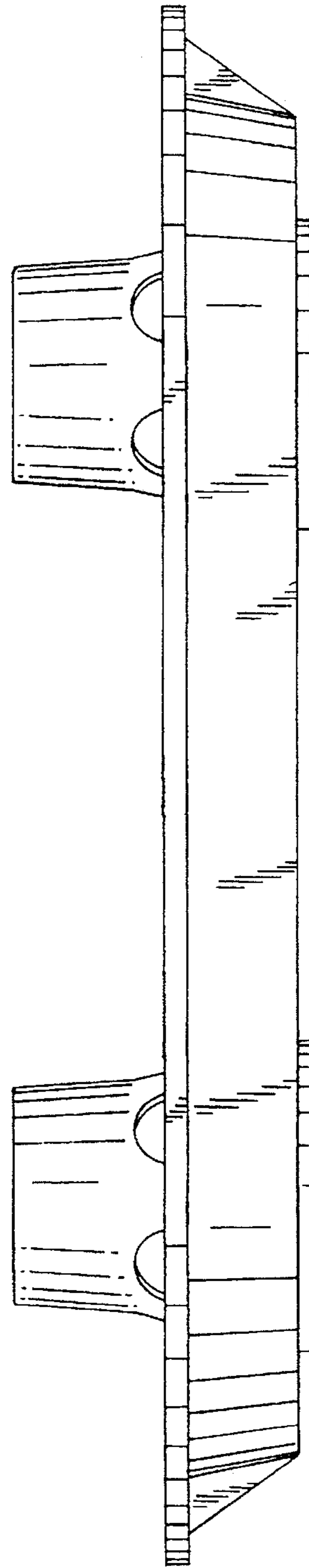


Fig. 12

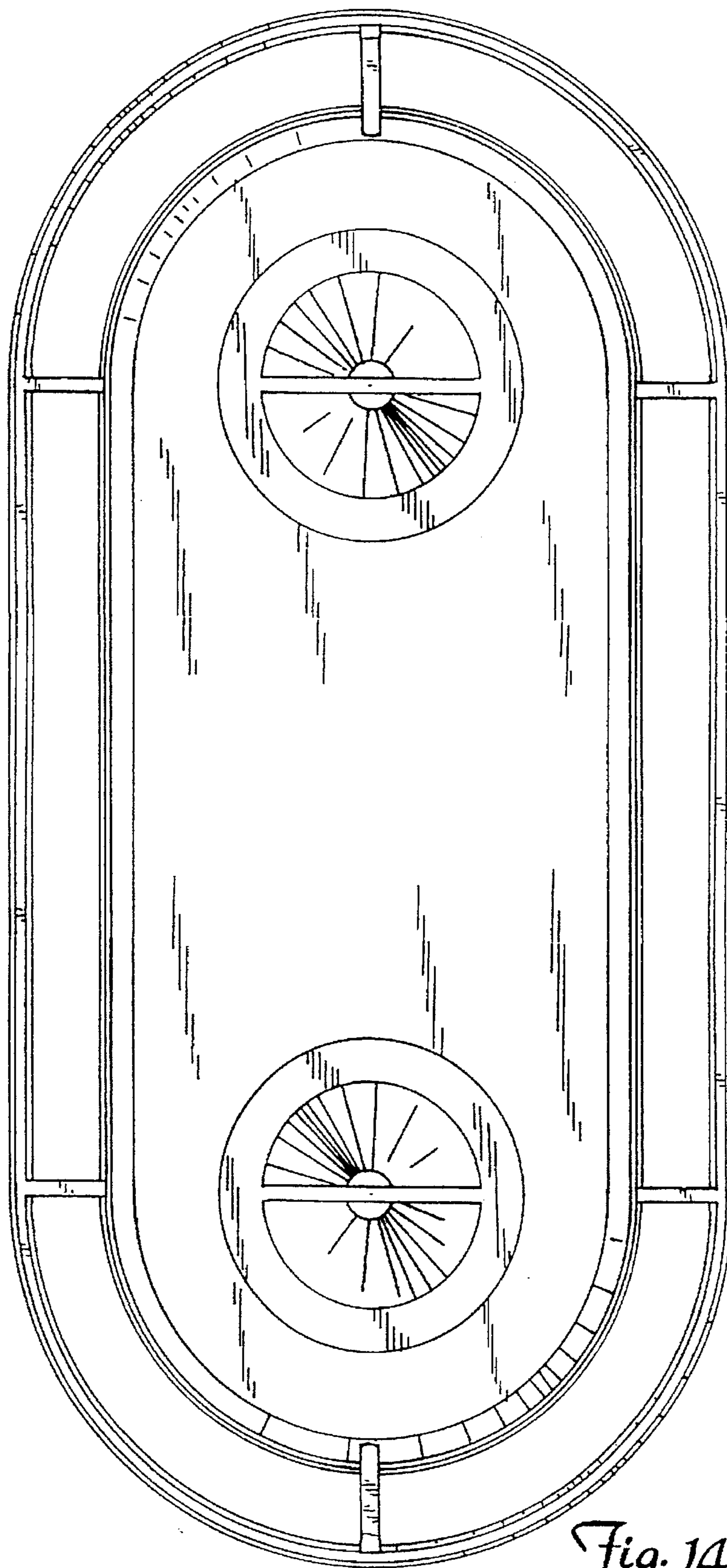


Fig. 14