



US00D380876S

# United States Patent [19] Campbell

[11] Patent Number: **Des. 380,876**  
[45] Date of Patent: **\*\*Jul. 8, 1997**

[54] **KNEE PAD**

[75] Inventor: **Tom Campbell**, Alta Dena, Calif.

[73] Assignee: **McGuire-Nicholas Company, Inc.**,  
City of Commerce, Calif.

[\*\*] Term: **14 Years**

[21] Appl. No.: **30,856**

[22] Filed: **Nov. 10, 1994**

[51] LOC (6) Cl. .... **29-02**

[52] U.S. Cl. .... **D29/121**

[58] Field of Search ..... D29/120, 121;  
2/24, 22, 16, 62, 910-912, 908, 267

[56] **References Cited**

**U.S. PATENT DOCUMENTS**

D. 255,728	7/1980	Baron	.....	D24/190
D. 341,005	11/1993	Pratt	.....	D29/121
D. 343,480	1/1994	Levine	.....	D29/121
D. 347,301	5/1994	Levine	.....	D29/121
D. 355,052	1/1995	Paikos et al.	.....	D29/100
D. 360,284	7/1995	Paffett et al.	.....	D29/121

D. 360,285	7/1995	Paffett et al.	.....	D29/121
D. 360,286	7/1995	Paffett et al.	.....	D29/121
D. 360,287	7/1995	Paffett et al.	.....	D29/121
D. 361,163	8/1995	Chen	.....	D29/121

*Primary Examiner*—Ruth McInroy  
*Attorney, Agent, or Firm*—Jeffrey G. Sheldon; Sheldon & Mak, Inc.

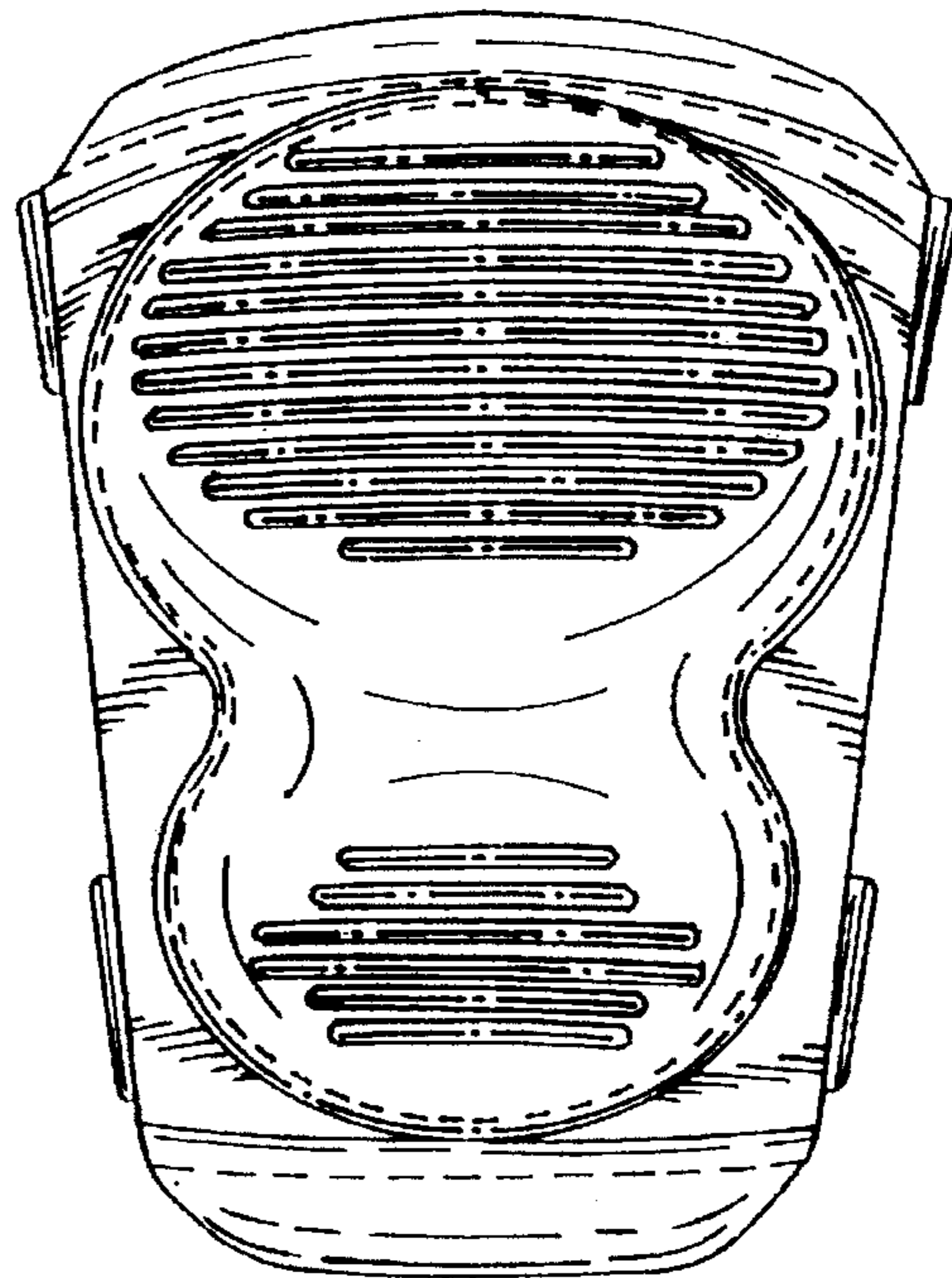
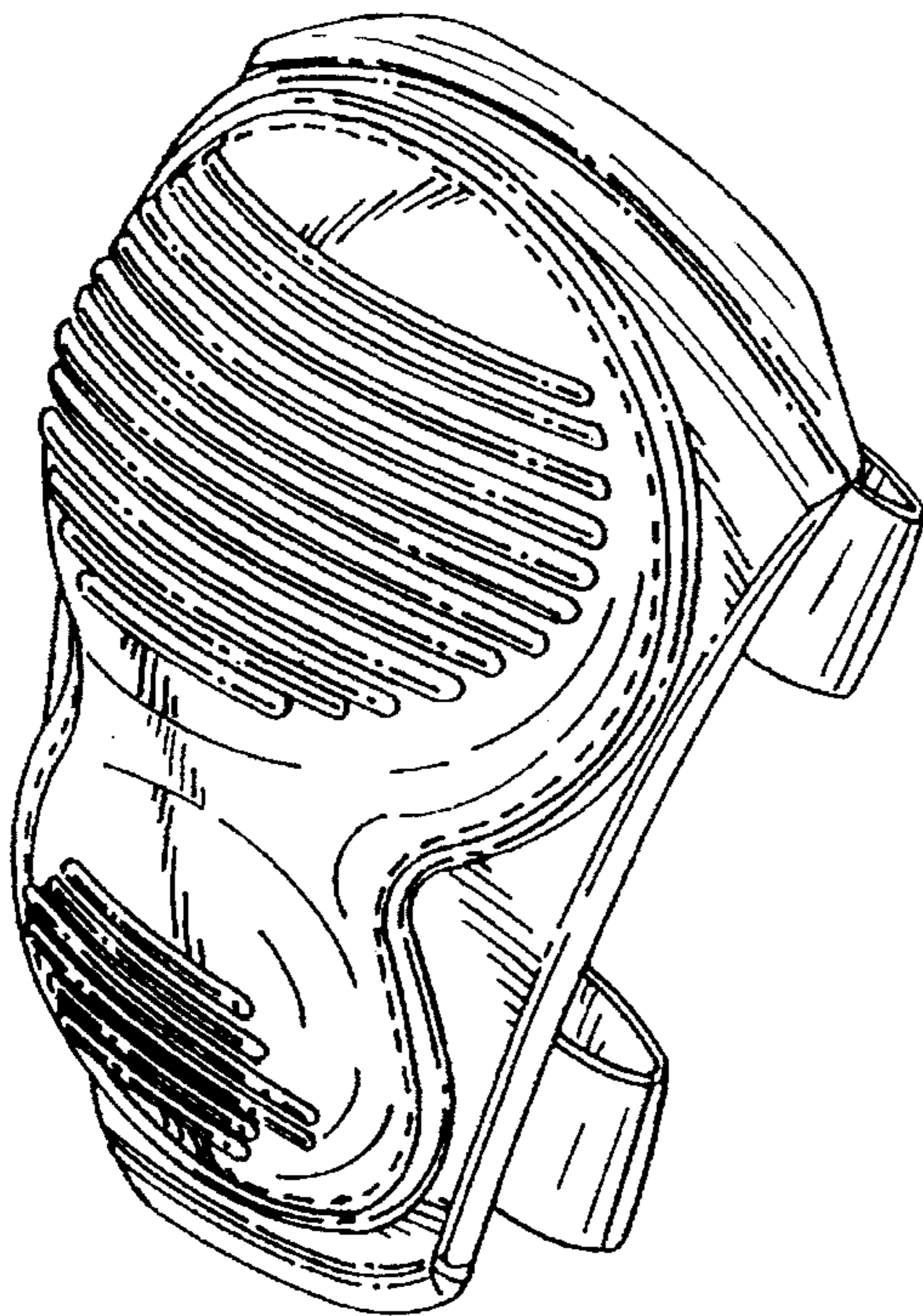
[57] **CLAIM**

The ornamental design for a knee pad, as shown and described.

**DESCRIPTION**

FIG. 1 is a front perspective view of a knee pad showing my new design;  
FIG. 2 is a front elevational view thereof;  
FIG. 3 is a top plan view thereof;  
FIG. 4 is a side elevational view thereof;  
FIG. 5 is a bottom plan view thereof; and,  
FIG. 6 is rear elevational view thereof.  
The broken lines in all views represents conventional stitching.

**1 Claim, 2 Drawing Sheets**



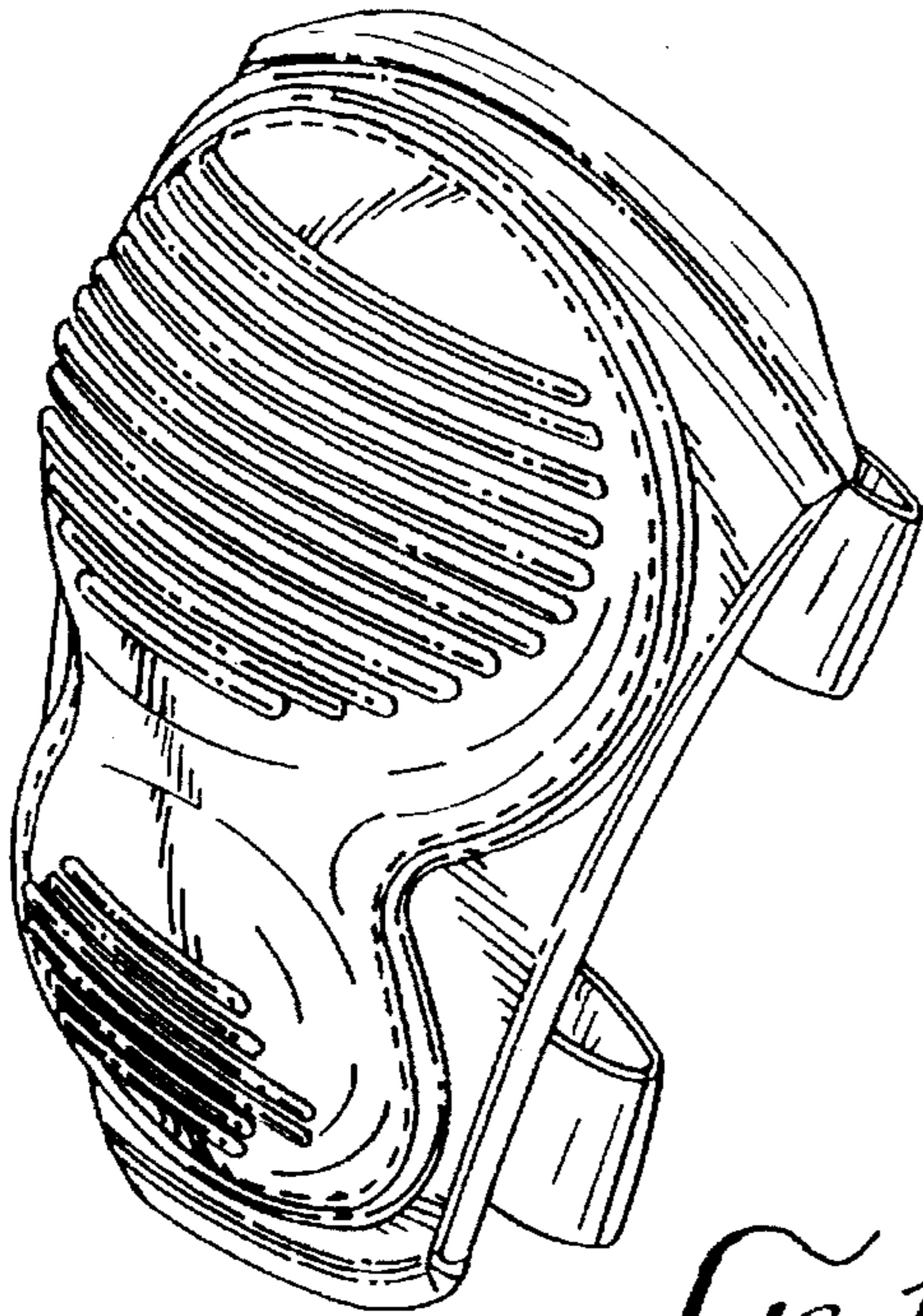


FIG. 1.

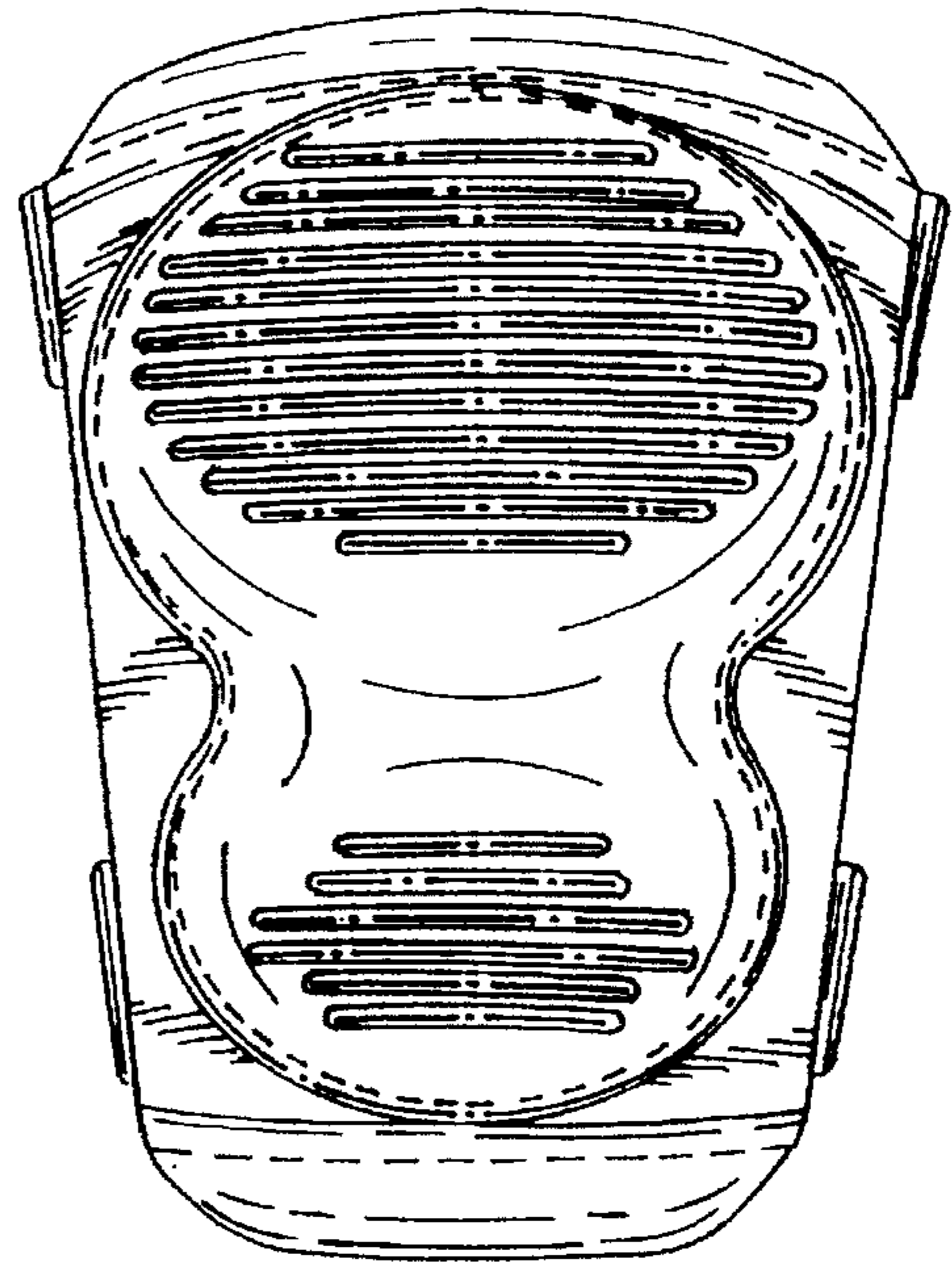


FIG. 2.

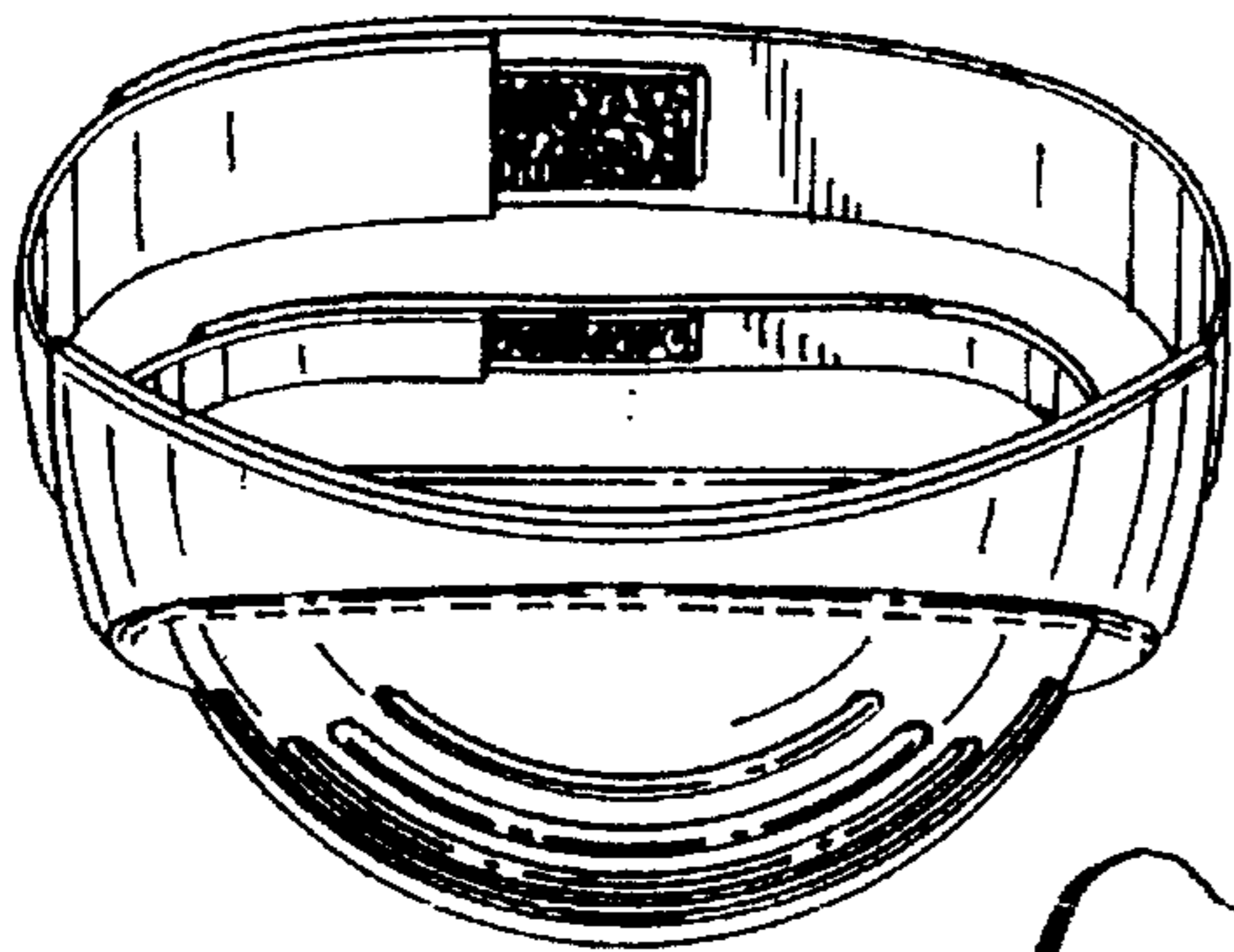


FIG. 3.

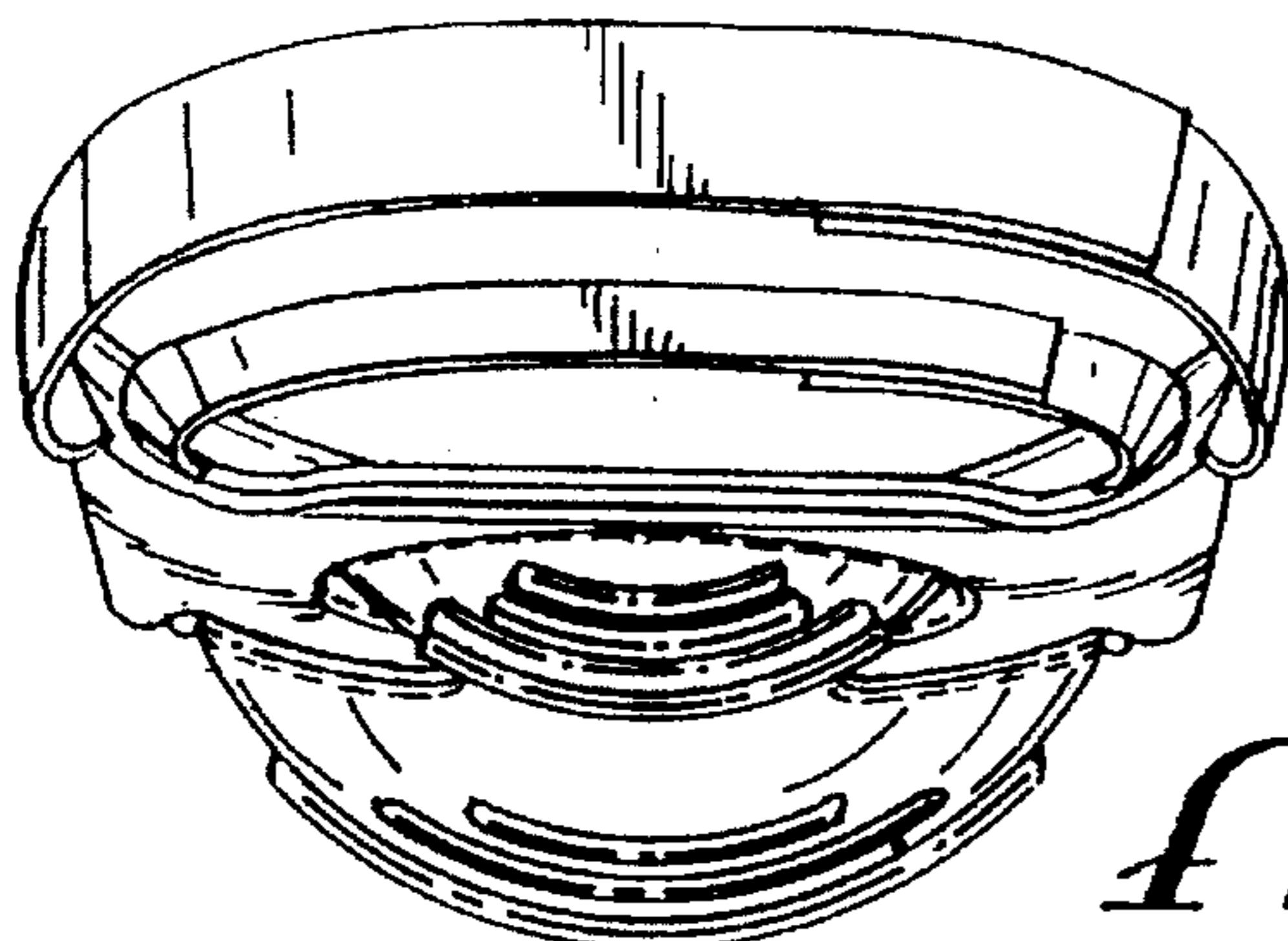


FIG. 5.

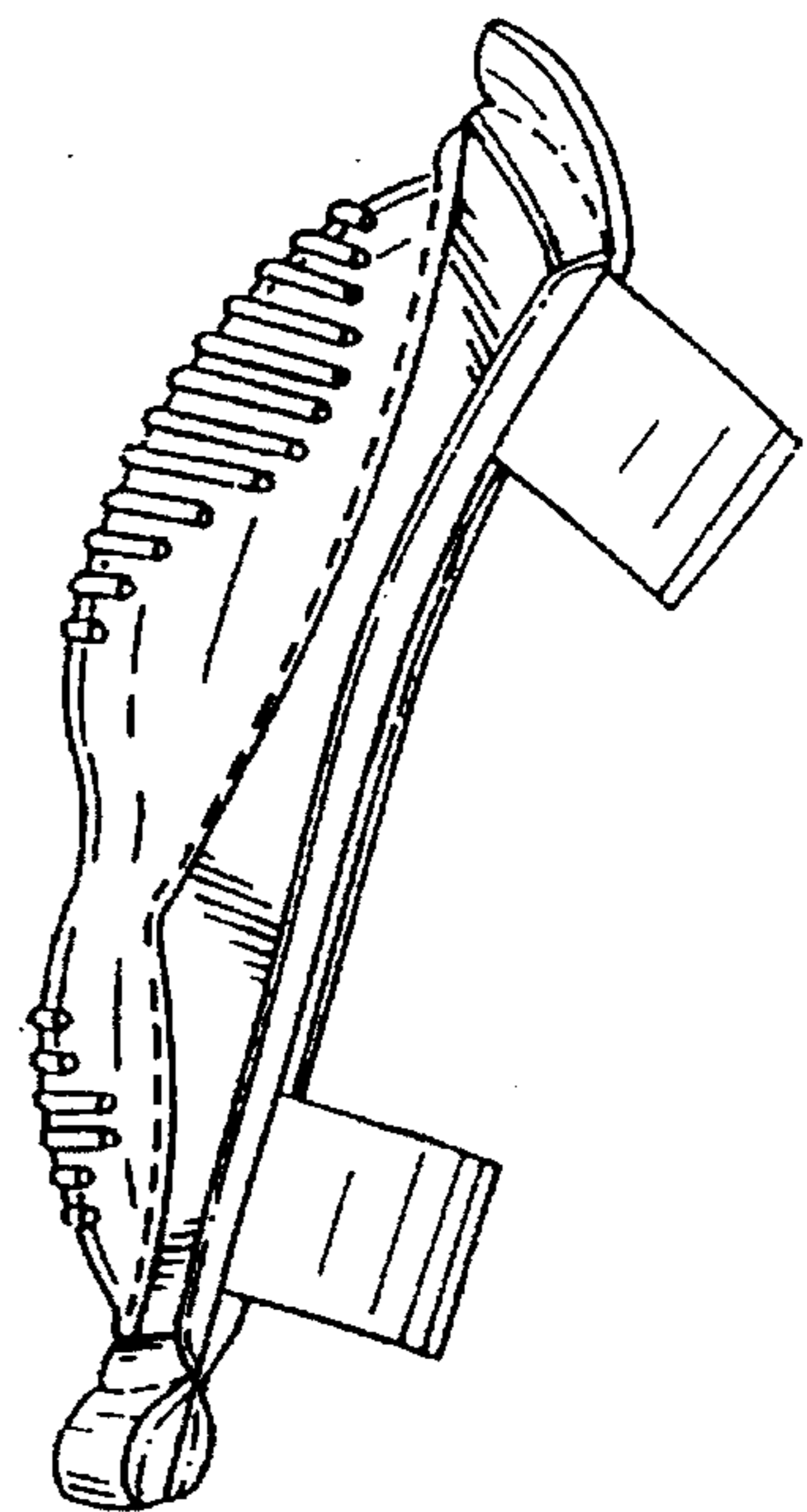
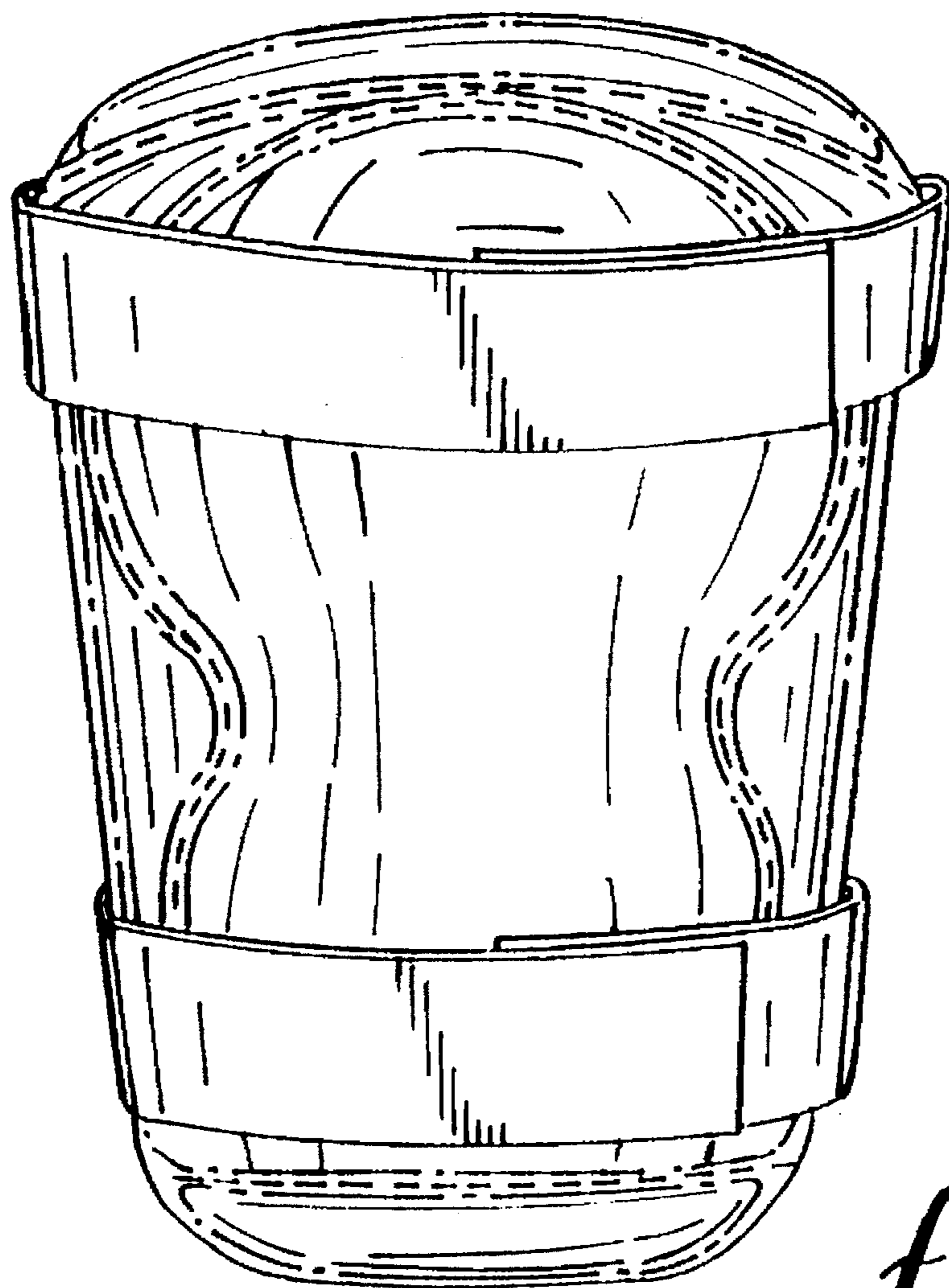


FIG. 4.



*FIG. 6.*