



US00D380875S

United States Patent [19]
Gallo

[11] **Patent Number:** **Des. 380,875**
[45] **Date of Patent:** ****Jul. 8, 1997**

[54] **SELF DEFENSE MOUNTING STRAP**

[76] **Inventor:** **Mario A. Gallo**, 3881 Casa Colorado,
Las Vegas, Nev. 89121-4604

[**] **Term:** **14 Years**

[21] **Appl. No.:** **44,195**

[22] **Filed:** **Sep. 20, 1995**

[51] **LOC (6) Cl.** **29-02**

[52] **U.S. Cl.** **D29/120; D29/121; D29/100**

[58] **Field of Search** **D29/120, 121,**
D29/100, 122, 190; 2/16, 22, 24, 2

[56] **References Cited**

U.S. PATENT DOCUMENTS

D. 272,105	1/1984	Dryzal	D29/120
D. 341,229	11/1993	Tsujino	D29/121
D. 362,087	9/1995	Anson	D29/120
2,643,389	6/1953	Wegner	D29/120
3,189,919	6/1965	Chase	D29/118
3,411,222	11/1968	Williams	D29/121

Primary Examiner—Ruth McInroy
Attorney, Agent, or Firm—Harpman & Harpman

[57] **CLAIM**

The ornamental design for a self defense mounting strap, as shown and described.

DESCRIPTION

FIG. 1 is a front, top and side perspective view of a self defense mounting strap showing my new design, the portions shown in broken lines are for illustrative purposes only and form no part of the claimed design;

FIG. 2 is a front elevational view thereof in a non-use position;

FIG. 3 is a rear elevational view thereof in a non-use position;

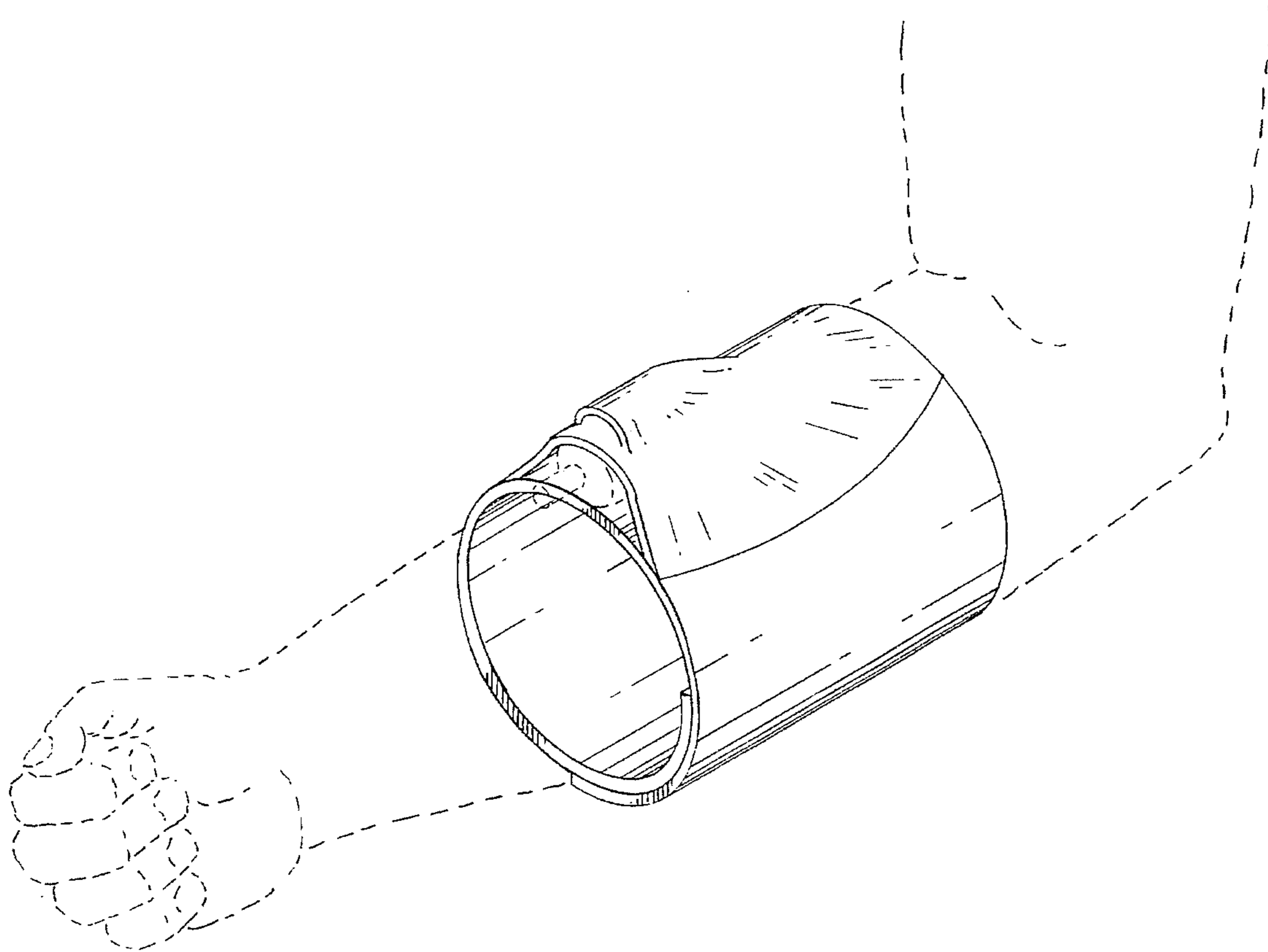
FIG. 4 is a right side elevational view thereof in a non-use position;

FIG. 5 is a left side elevational view thereof in a non-use position;

FIG. 6 is a top plan view thereof in a non-use position; and,

FIG. 7 is a bottom plan view thereof in a non-use position.

1 Claim, 3 Drawing Sheets



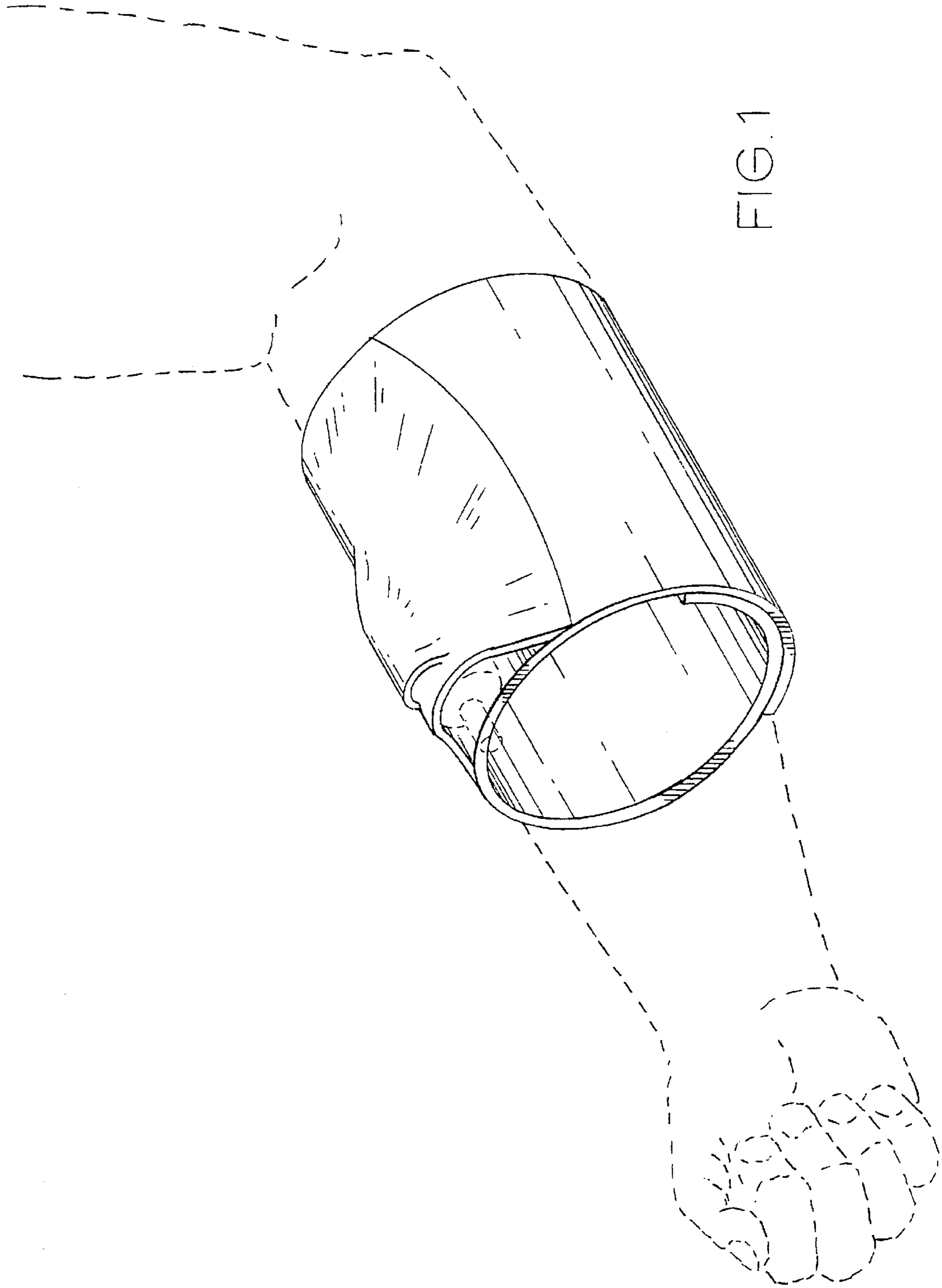


FIG. 1

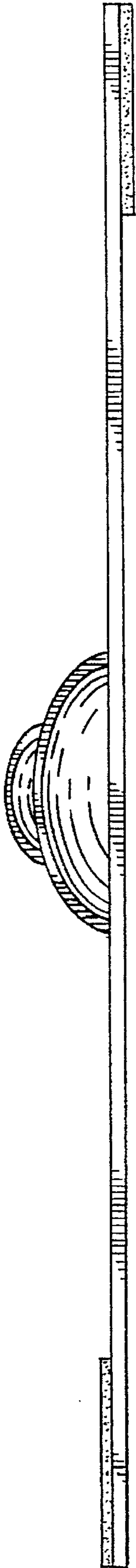


FIG. 2

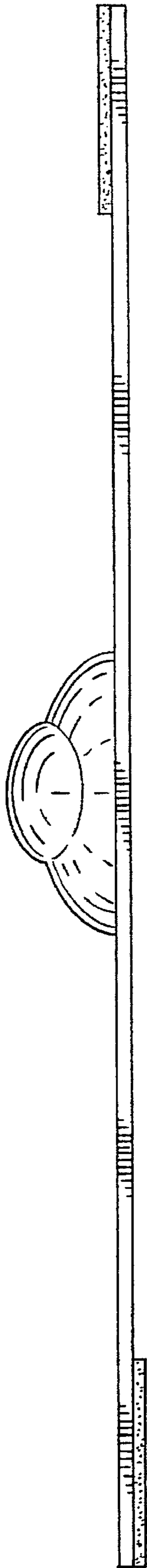


FIG. 3



FIG. 4

FIG. 5

FIG. 6

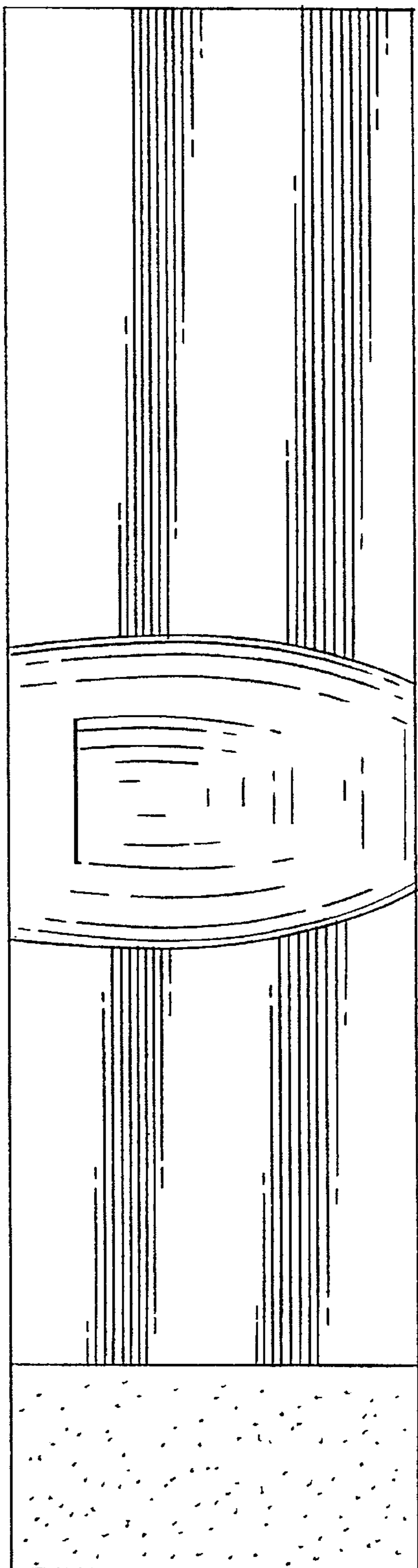


FIG. 7

