



US00D380863S

United States Patent [19] Mikler

[11] Patent Number: **Des. 380,863**
[45] Date of Patent: ****Jul. 8, 1997**

[54] CIGAR CUTTER 2,521,854 9/1950 King 30/109

[76] Inventor: **William R. Mikler**, 29550 Pike Dr.,
Orange, Ohio 44022

Primary Examiner—Susan L. Lucas
Assistant Examiner—Jennifer A. Register
Attorney, Agent, or Firm—James A. Hudak

[**] Term: **14 Years**

[57] CLAIM

[21] Appl. No.: **50,131**

The ornamental design for a cigar cutter, as shown and described.

[22] Filed: **Feb. 9, 1996**

[51] LOC (6) Cl. **27-99**

[52] U.S. Cl. **D27/195**

[58] Field of Search D27/195, 194;
131/233, 248, 250, 255, 329; 30/109, 111,
112, 113

DESCRIPTION

FIG. 1 is a perspective view of the cigar cutter showing my new design;

FIG. 2 is a front elevational view thereof;

FIG. 3 is a rear elevational view thereof;

FIG. 4 is a left side elevational view thereof, the right side elevational view being a mirror image of the view shown in this Figure; and,

FIG. 5 is a top plan view thereof.

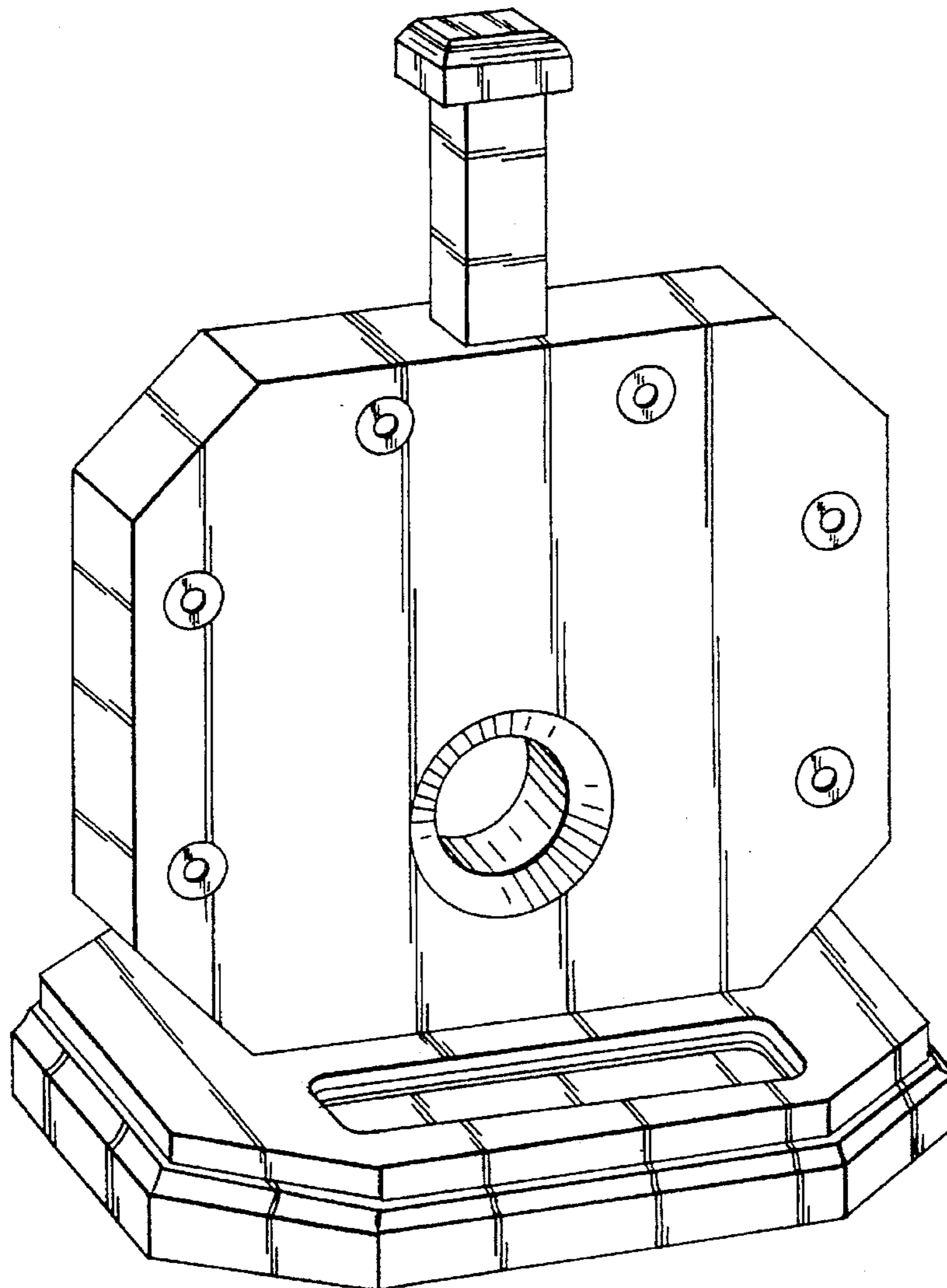
The bottom plan view of the cigar cutter is flat and unornamental.

[56] References Cited

U.S. PATENT DOCUMENTS

D. 34,365	4/1901	Willard	D27/195
D. 82,134	9/1930	Caiazzo	D27/195
330,597	11/1885	Lilly	30/109
1,127,576	2/1915	Aronson	30/109

1 Claim, 3 Drawing Sheets



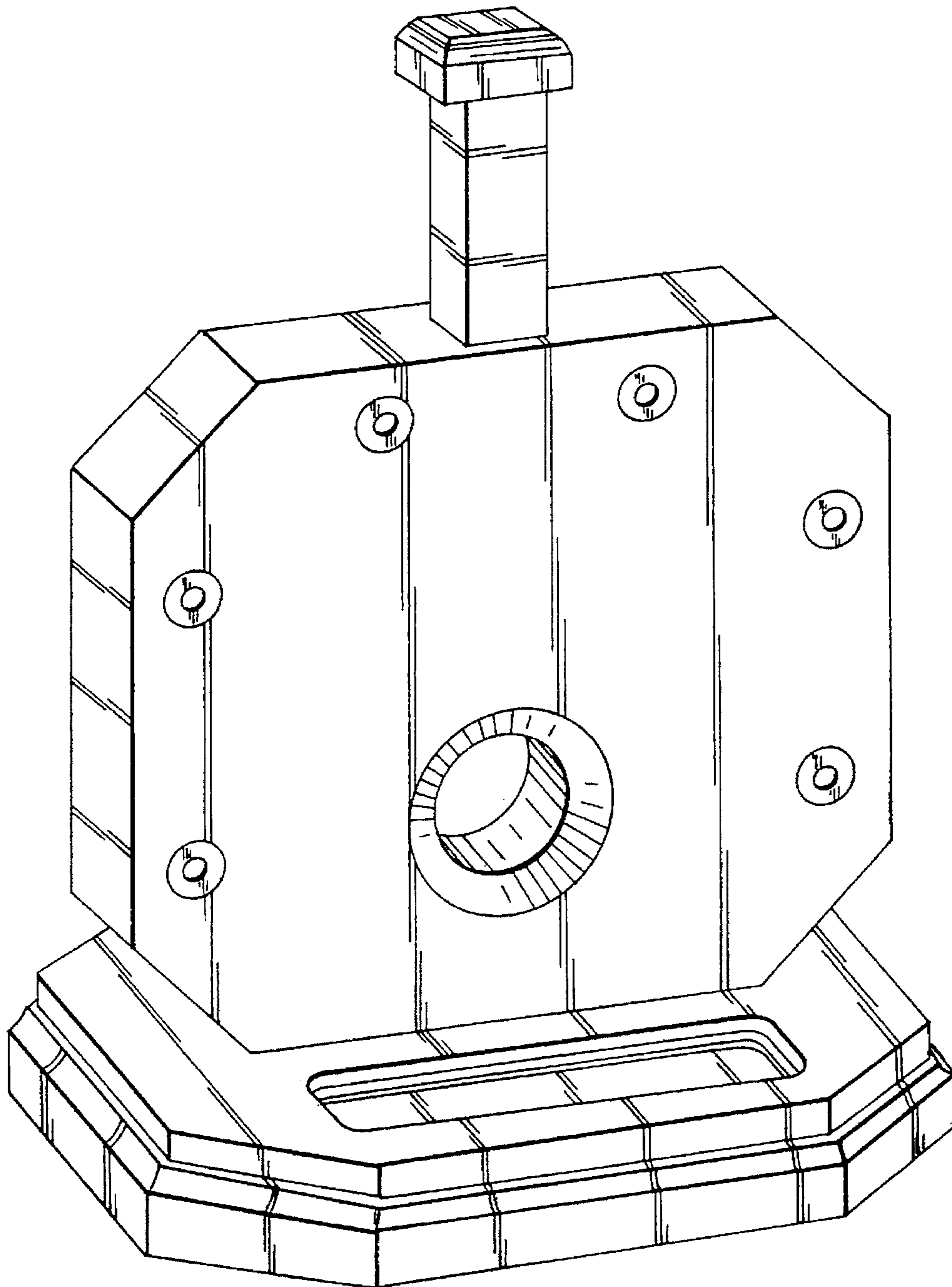


Fig. 1

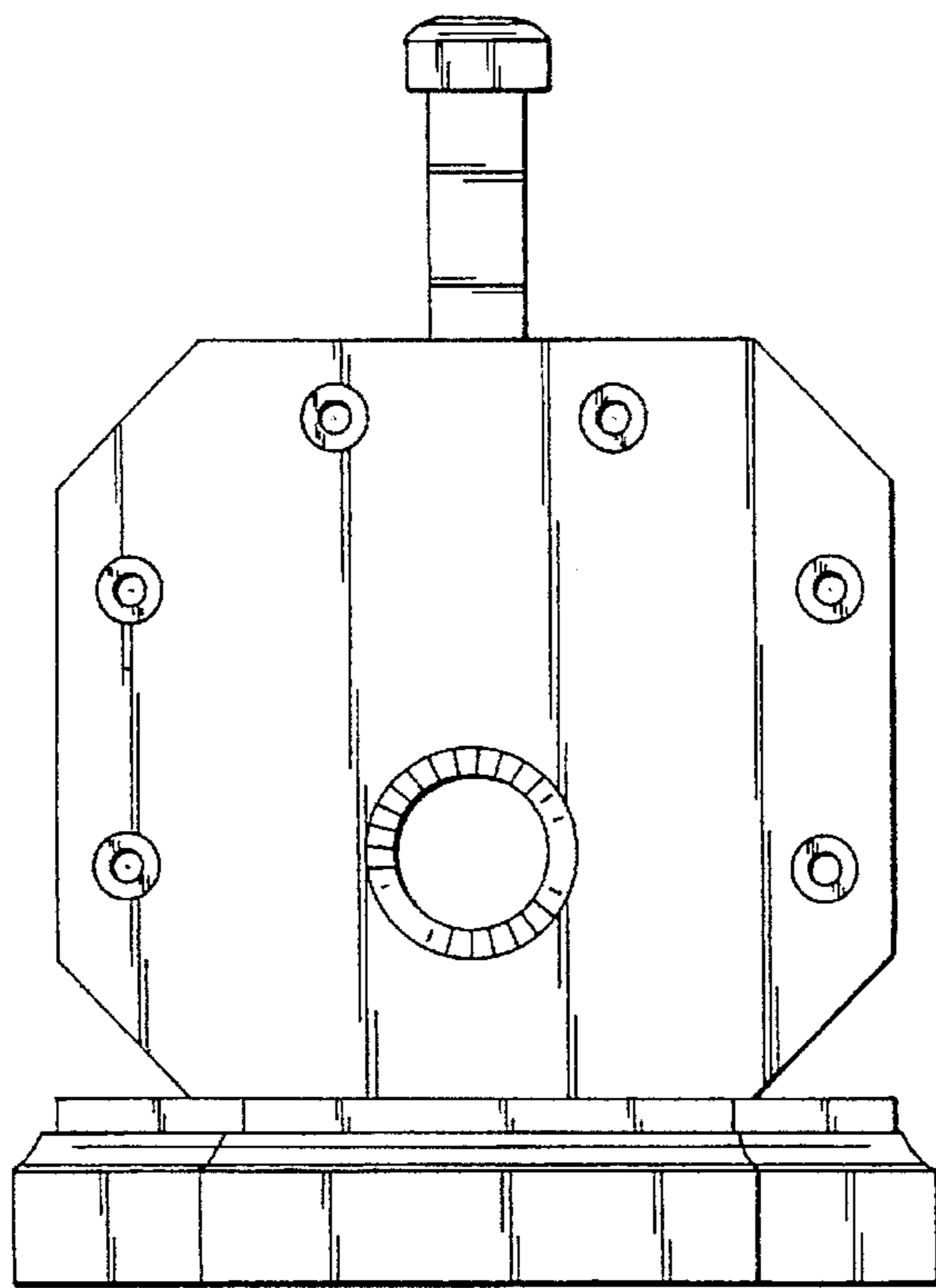


Fig. 2

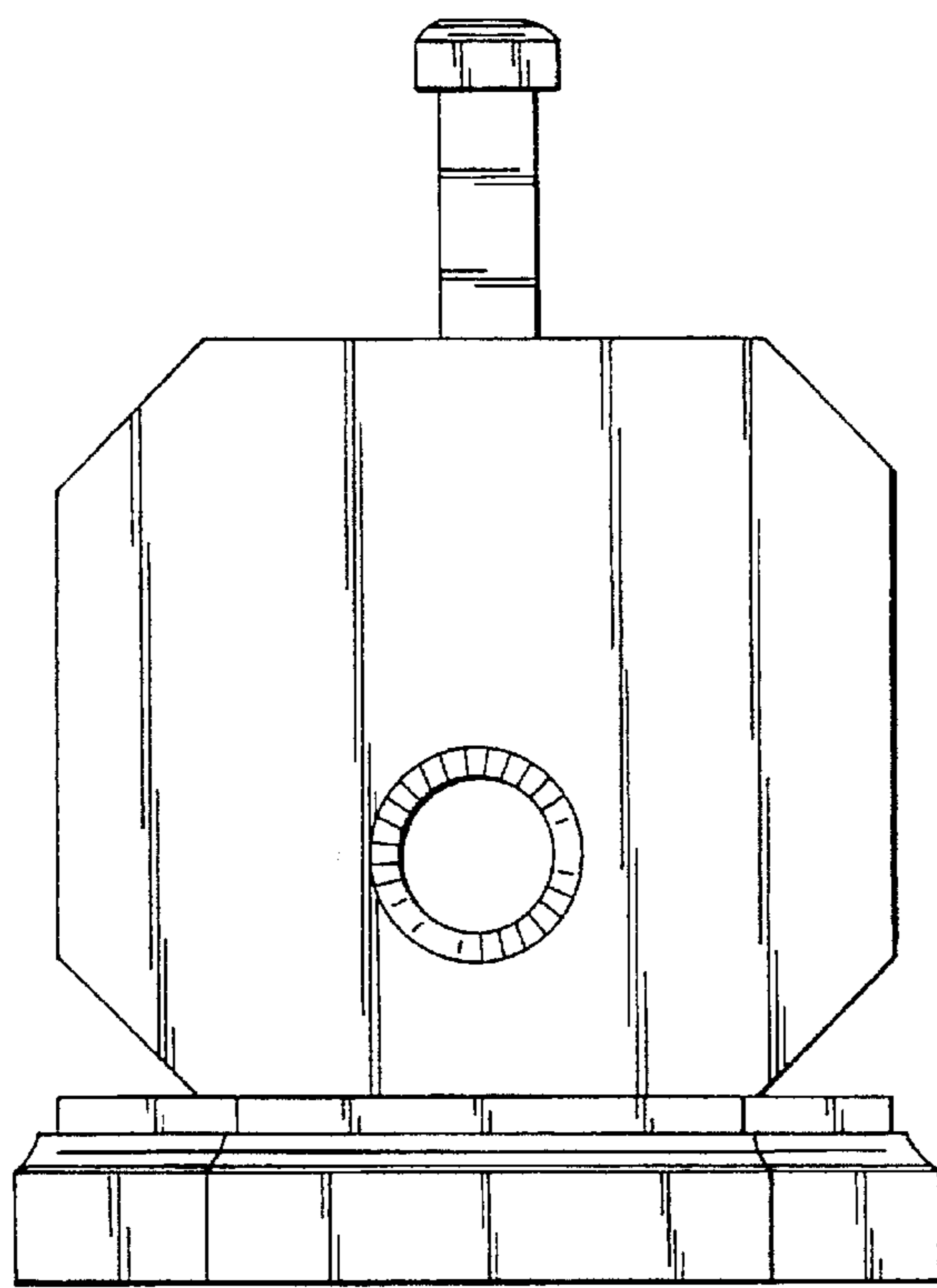


Fig. 3

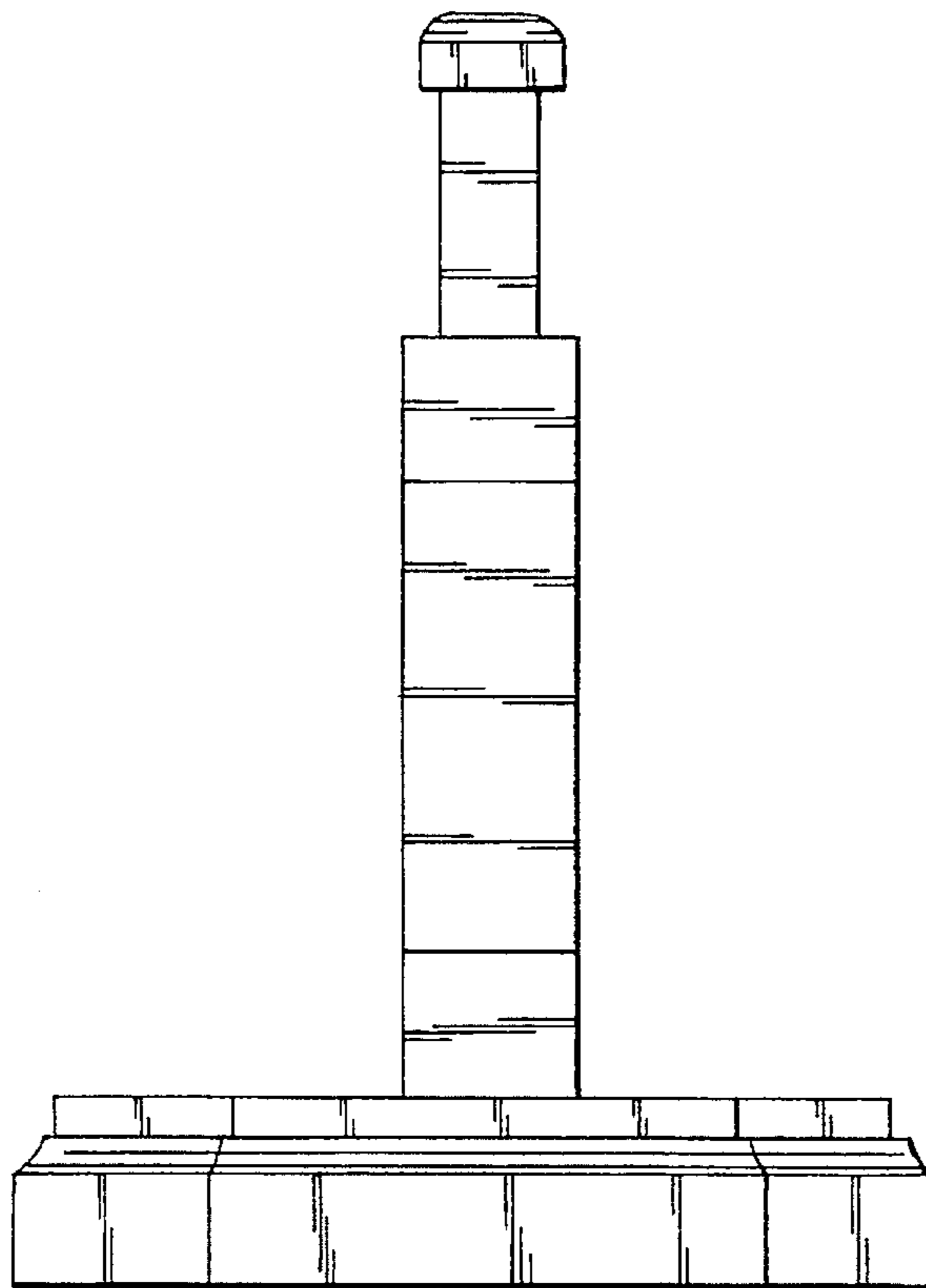


Fig. 4

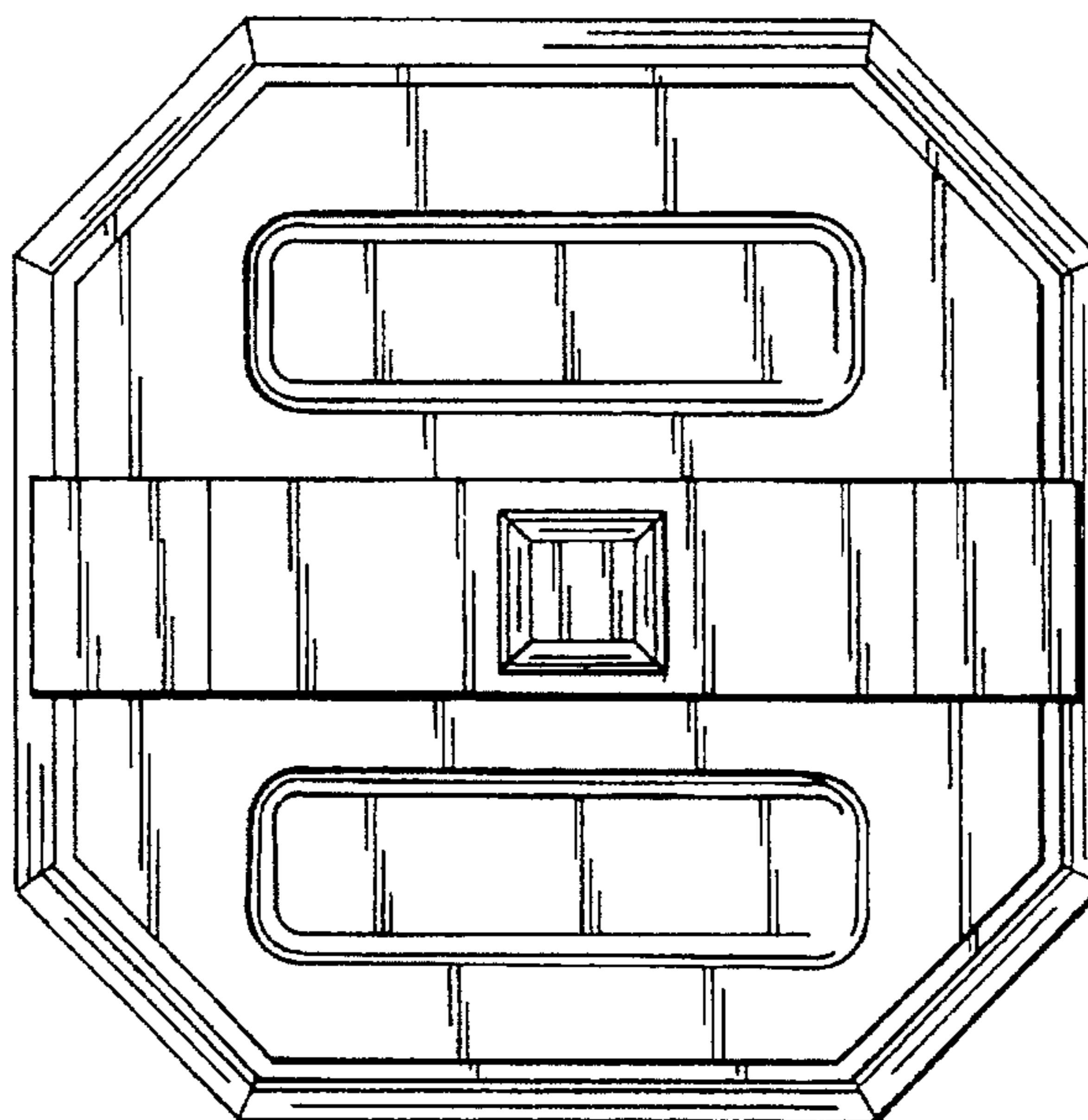


Fig. 5