



US00D380861S

**United States Patent** [19]  
**Kluck**

[11] **Patent Number:** **Des. 380,861**  
[45] **Date of Patent:** **\*\*Jul. 8, 1997**

[54] **TABLE LAMP BASE**

[75] **Inventor:** **Kevin Von Kluck**, Hudson, Ohio

[73] **Assignee:** **The L.D. Kichler Co.**, Cleveland, Ohio

[\*\*] **Term:** **14 Years**

[21] **Appl. No.:** **52,791**

[22] **Filed:** **Apr. 9, 1996**

[51] **LOC (6) Cl.** ..... **26-05**

[52] **U.S. Cl.** ..... **D26/111; D26/142**

[58] **Field of Search** ..... **D26/93, 102-112,**  
**D26/141, 142, 143, 144; 362/410-414,**  
**351, 352, 355, 353, 358, 361**

[56] **References Cited**

**U.S. PATENT DOCUMENTS**

1,473,380 11/1923 Peterson ..... 362/351  
3,166,254 1/1965 Goodman ..... 362/358 X

*Primary Examiner*—Susan J. Lucas  
*Attorney, Agent, or Firm*—Watts, Hoffmann, Fisher & Heinke Co. LPA

[57] **CLAIM**

The ornamental design for a table lamp base, as shown and described.

**DESCRIPTION**

FIG. 1 is a perspective view of a table lamp base showing my new design;

FIG. 2 is a right side elevational view of a table lamp base;

FIG. 3 is a front elevational view of a table lamp base, the rear being a mirror image;

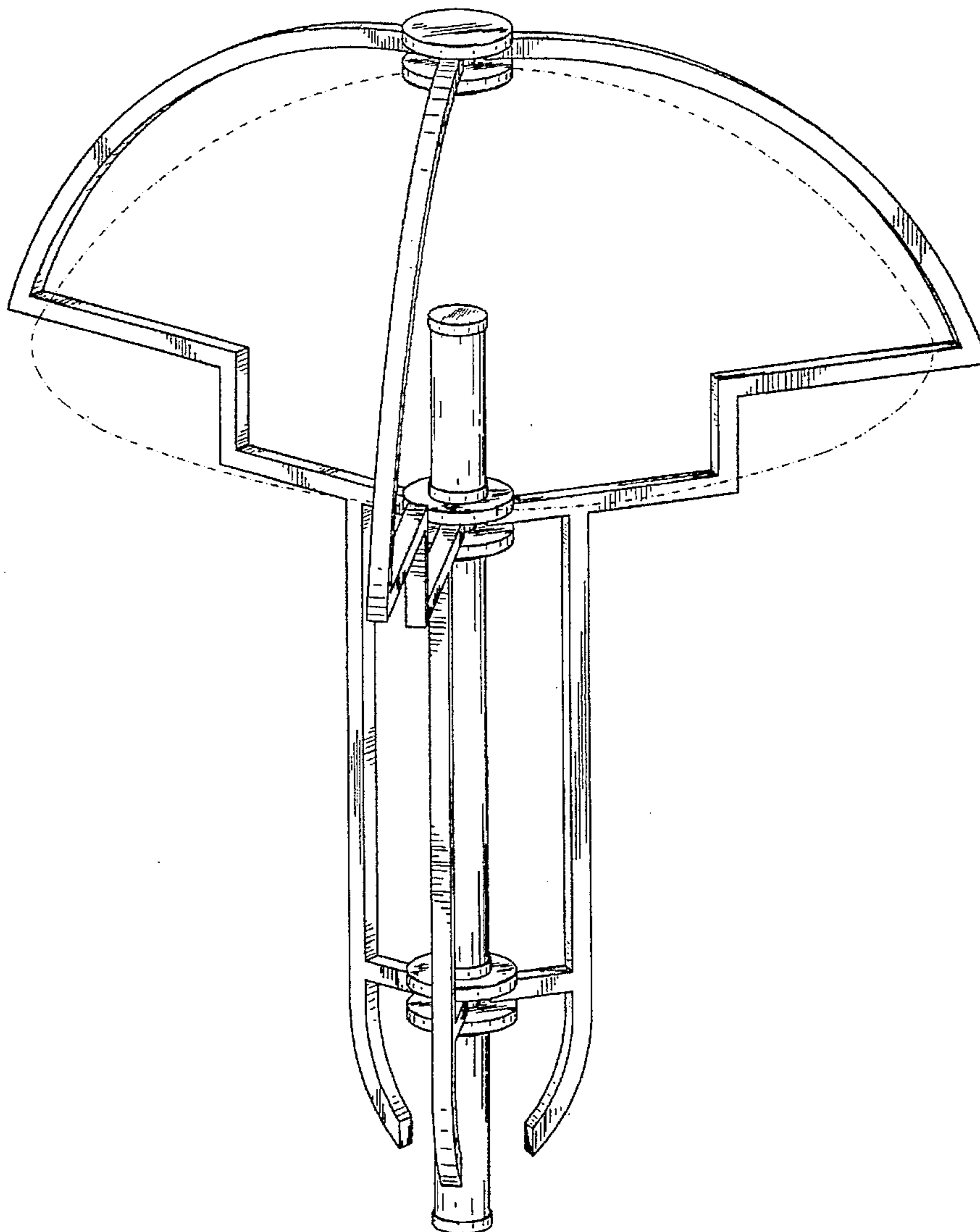
FIG. 4 is a left side elevational view of a table lamp;

FIG. 5 is a top plan view of a table lamp base; and,

FIG. 6 is a bottom plan view thereof.

The shade shown in broken lines is for illustrative purposes only.

**1 Claim, 4 Drawing Sheets**



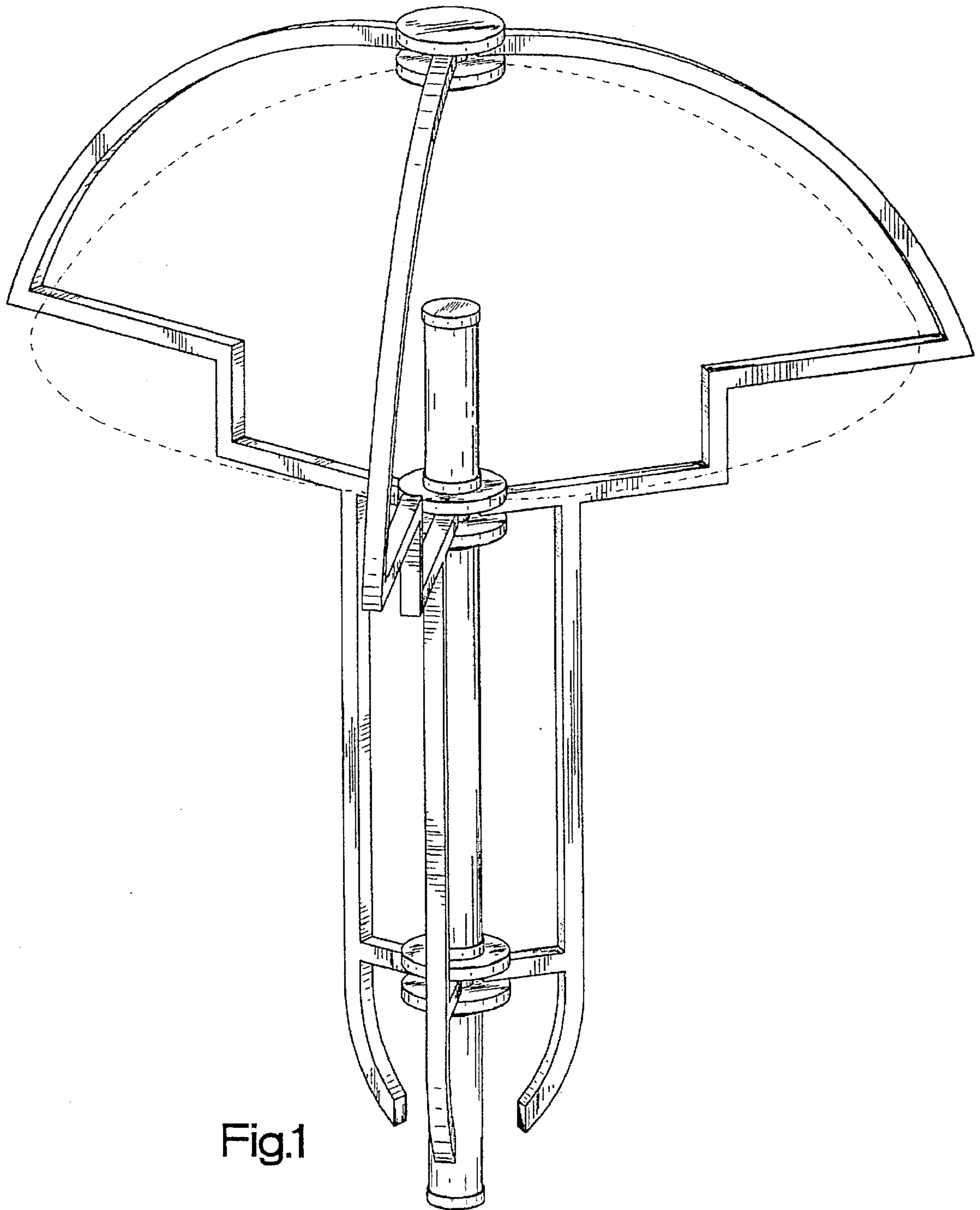


Fig.1

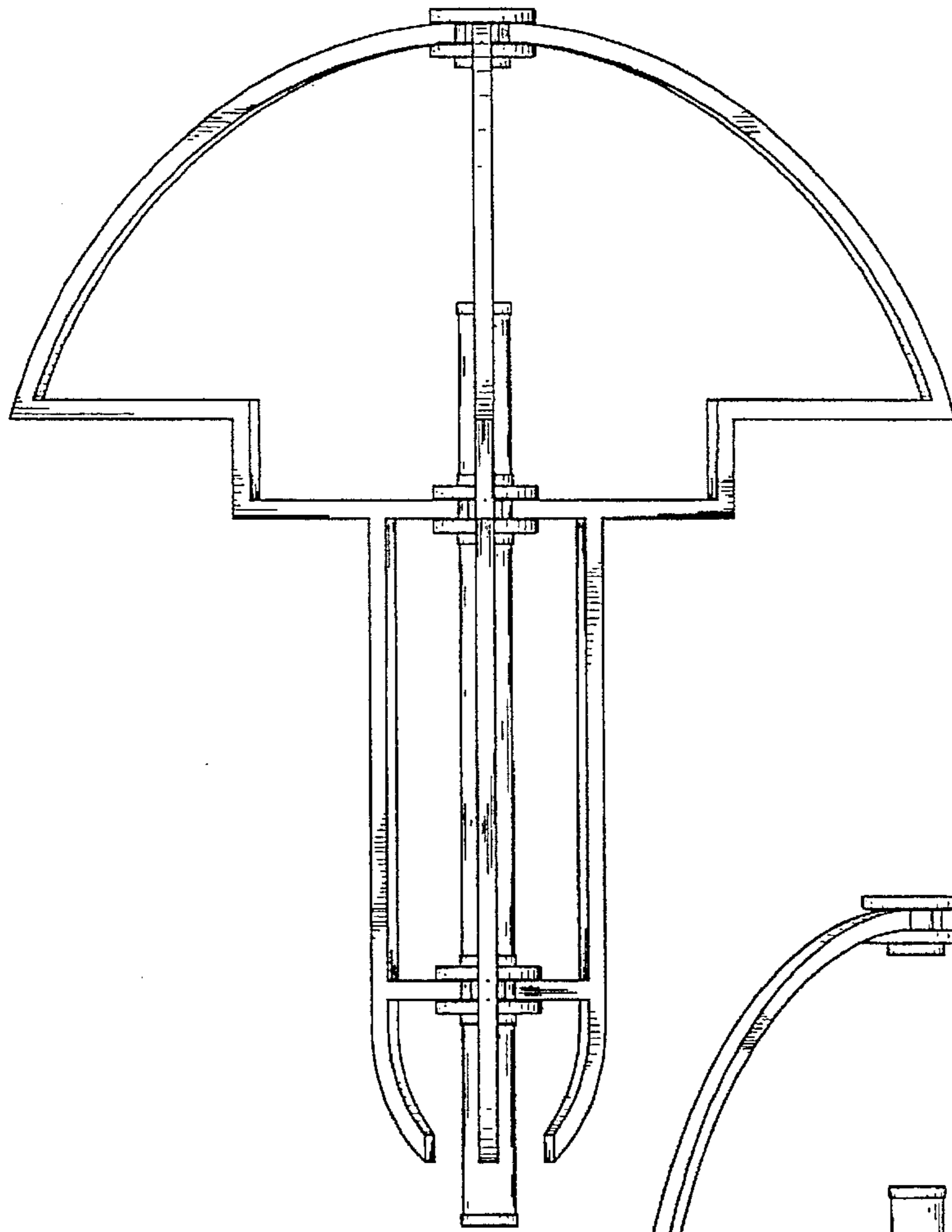


Fig.2

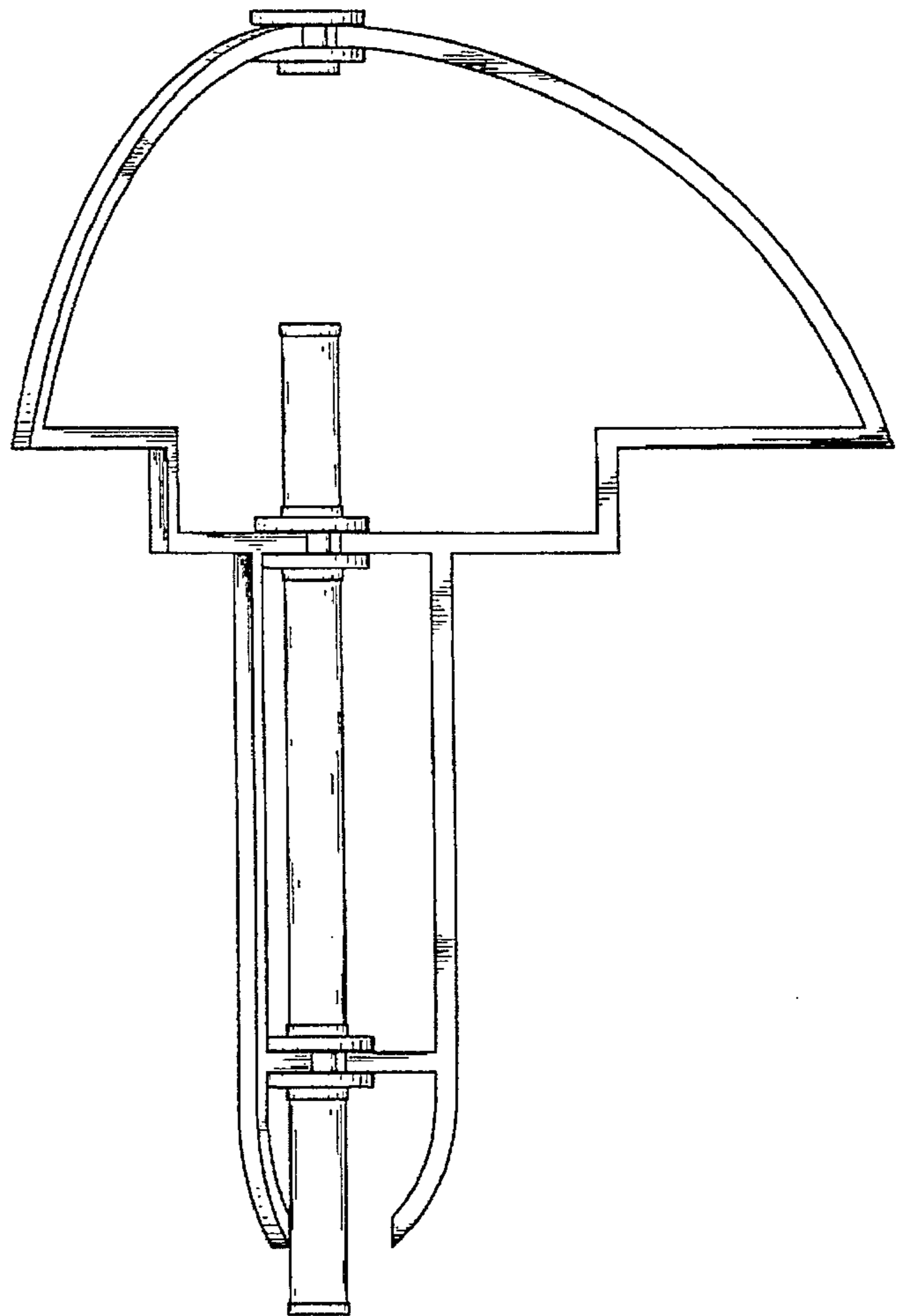


Fig.3

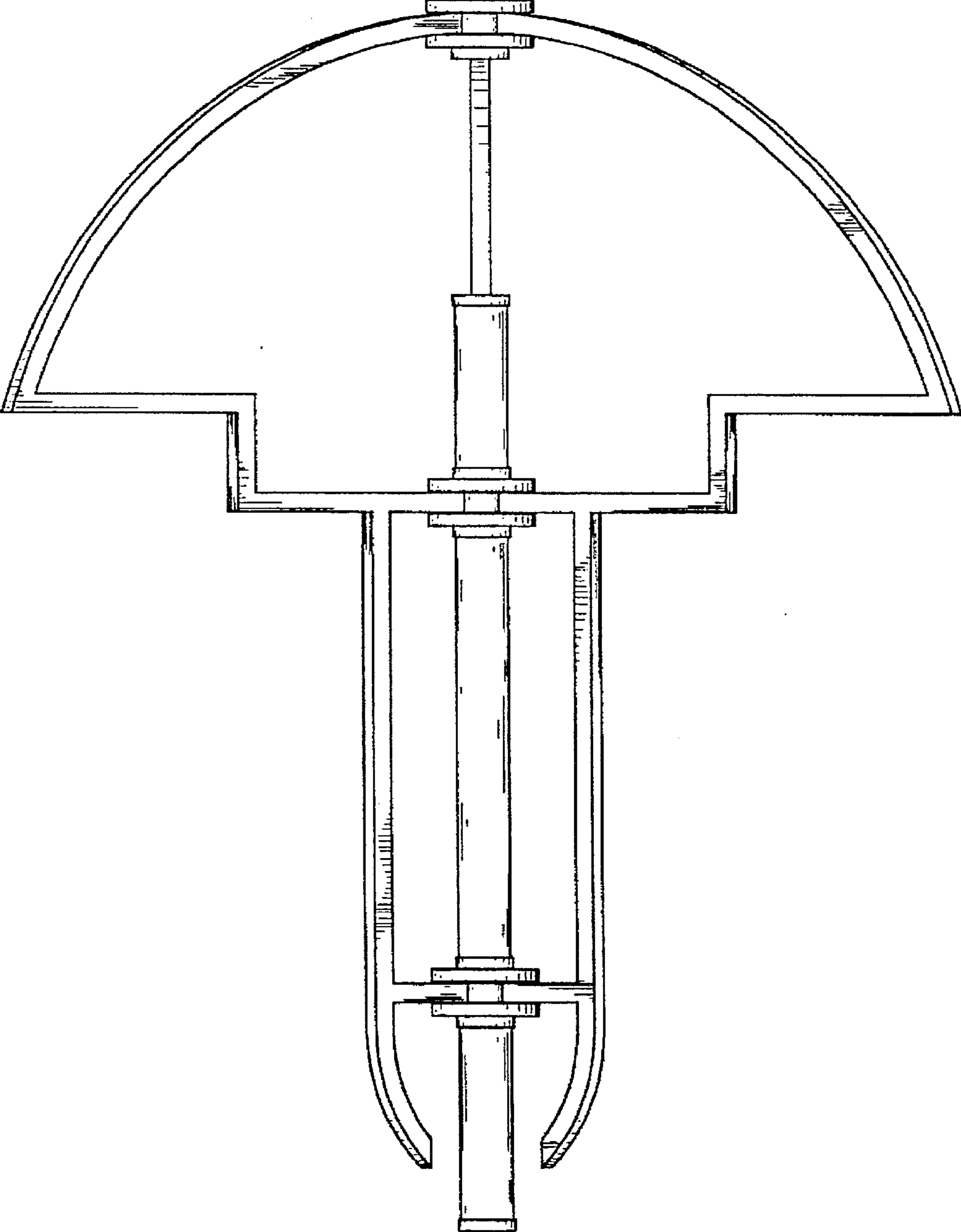


Fig.4

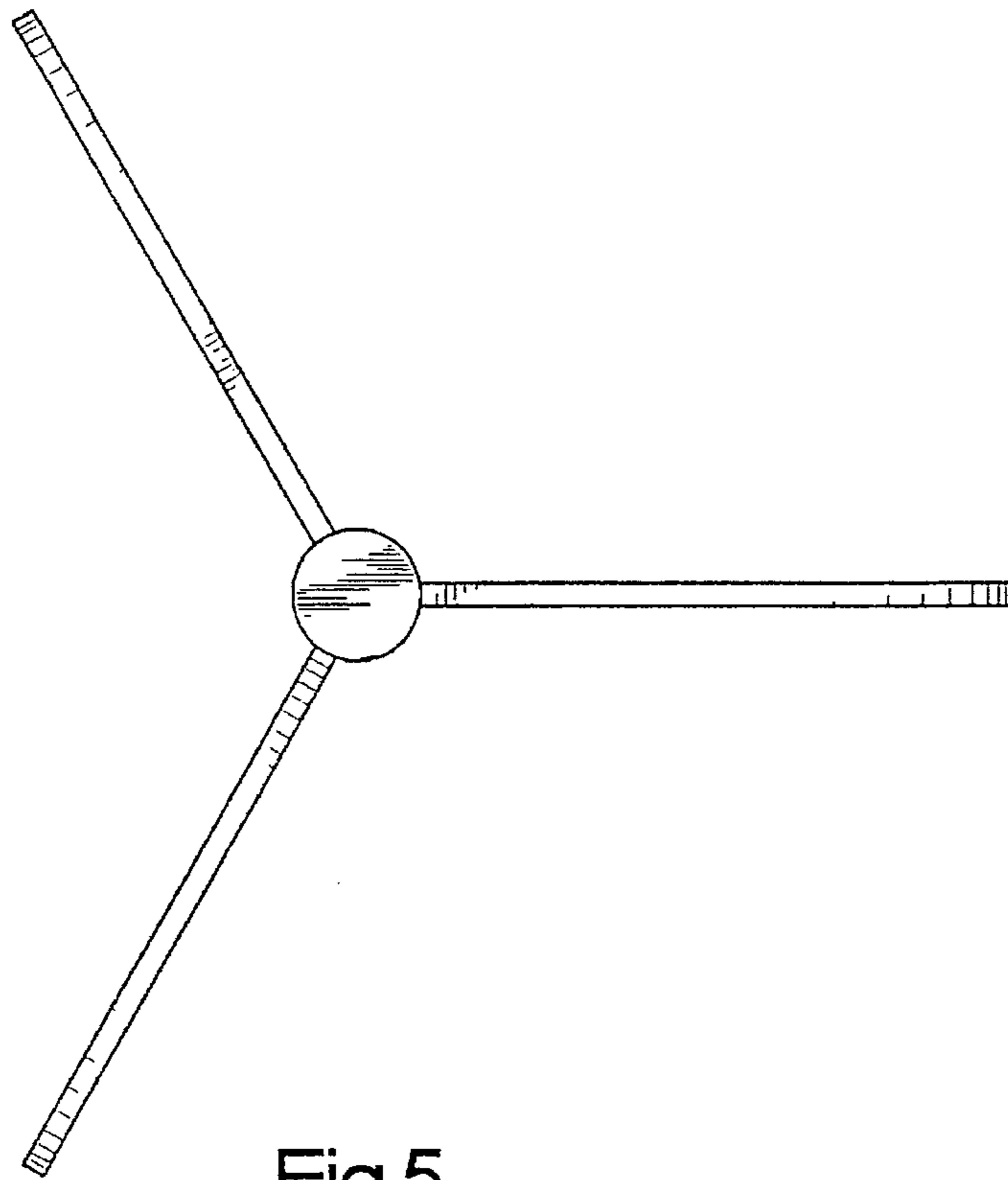


Fig.5

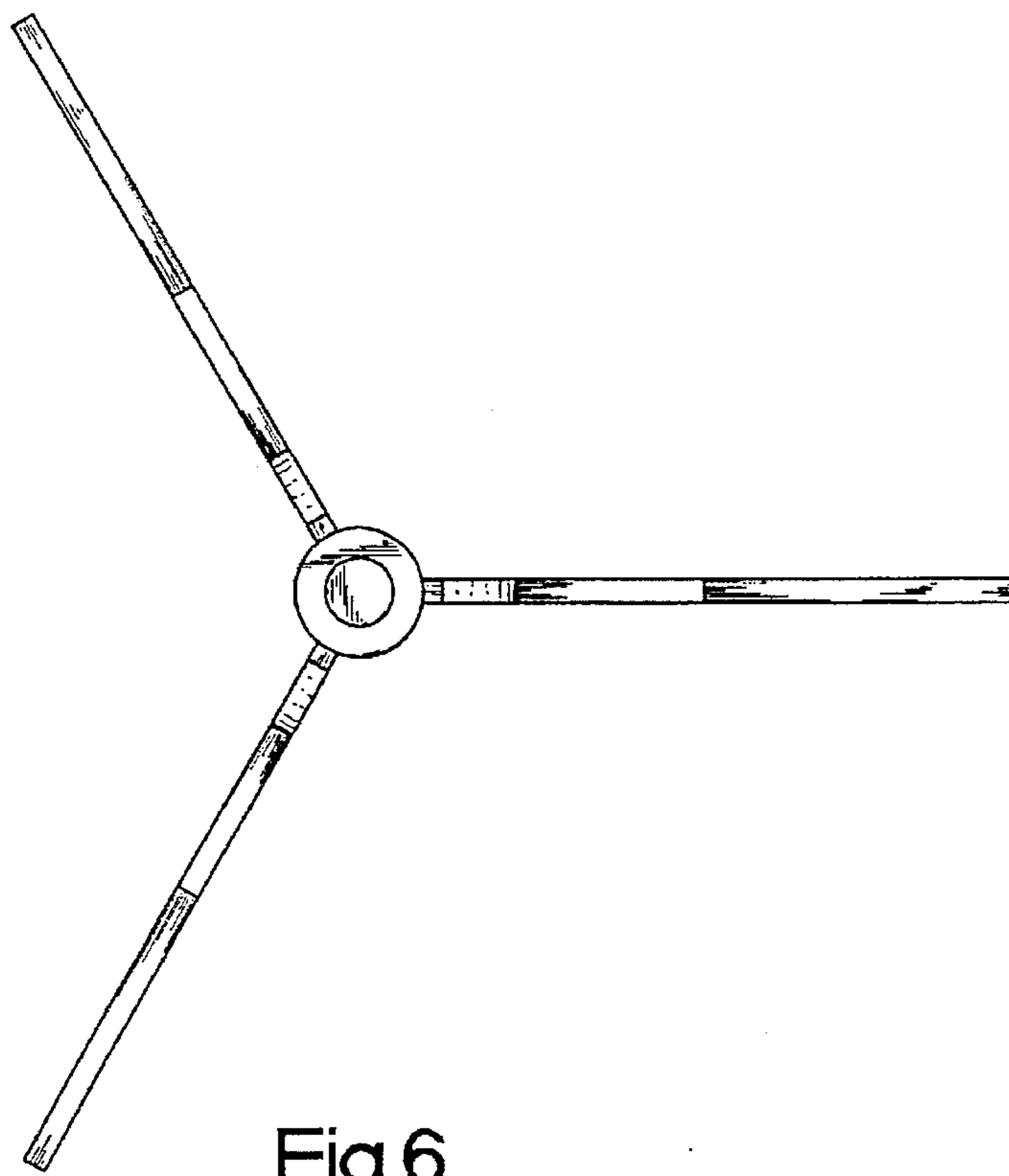


Fig.6