



US00D380858S

United States Patent [19]
Sharrah et al.

[11] **Patent Number:** **Des. 380,858**
[45] **Date of Patent:** ****Jul. 8, 1997**

[54] **FLASHLIGHT**

[75] Inventors: **Raymond Sharrah**, Collegeville;
Duncan Copeland; **Velissa VanScoyoc**,
both of Newtown, all of Pa.

[73] Assignee: **Streamlight, Inc.**, Norristown, Pa.

[**] Term: **14 Years**

[21] Appl. No.: **45,334**

[22] Filed: **Oct. 16, 1995**

[51] **LOC (6) Cl.** **26-02**

[52] **U.S. Cl.** **D26/49**

[58] **Field of Search** **D26/37-50; 362/157,**
362/158, 171, 172, 178, 181, 183, 192,
194, 196, 197, 200-206

[56] **References Cited**

U.S. PATENT DOCUMENTS

D. 315,609	3/1991	Garrity	D26/49
D. 356,651	3/1995	Stephen	D26/49
D. 360,045	7/1995	Inukai	D26/49
D. 363,564	10/1995	Kish et al.	D26/49

Primary Examiner—**Marcus A. Jackson**

Attorney, Agent, or Firm—**Dann, Dorfman, Herrell and Skillman, P.C.**

[57] **CLAIM**

The ornamental design for a flashlight, as shown and described.

DESCRIPTION

FIG. 1 is a perspective view of a flashlight showing our new design and showing an optional strap attached thereto which may be used with the flashlight;

FIG. 2 is a side elevational view of the flashlight, with the opposite side being substantially the same as the side shown;

FIG. 3 is a top plan view thereof;

FIG. 4 is a bottom plan view thereof;

FIG. 5 is a front elevational view thereof;

FIG. 6 is a rear elevational view thereof;

FIG. 7 is a perspective view of an alternative configuration of the flashlight of FIG. 1, and showing the optional strap attached thereto which may be used with the flashlight;

FIG. 8 is a left side elevational view of the flashlight in the alternative configuration of FIG. 7;

FIG. 9 is a right side elevational view of the flashlight of FIG. 7;

FIG. 10 is a top plan view of the flashlight of FIG. 7;

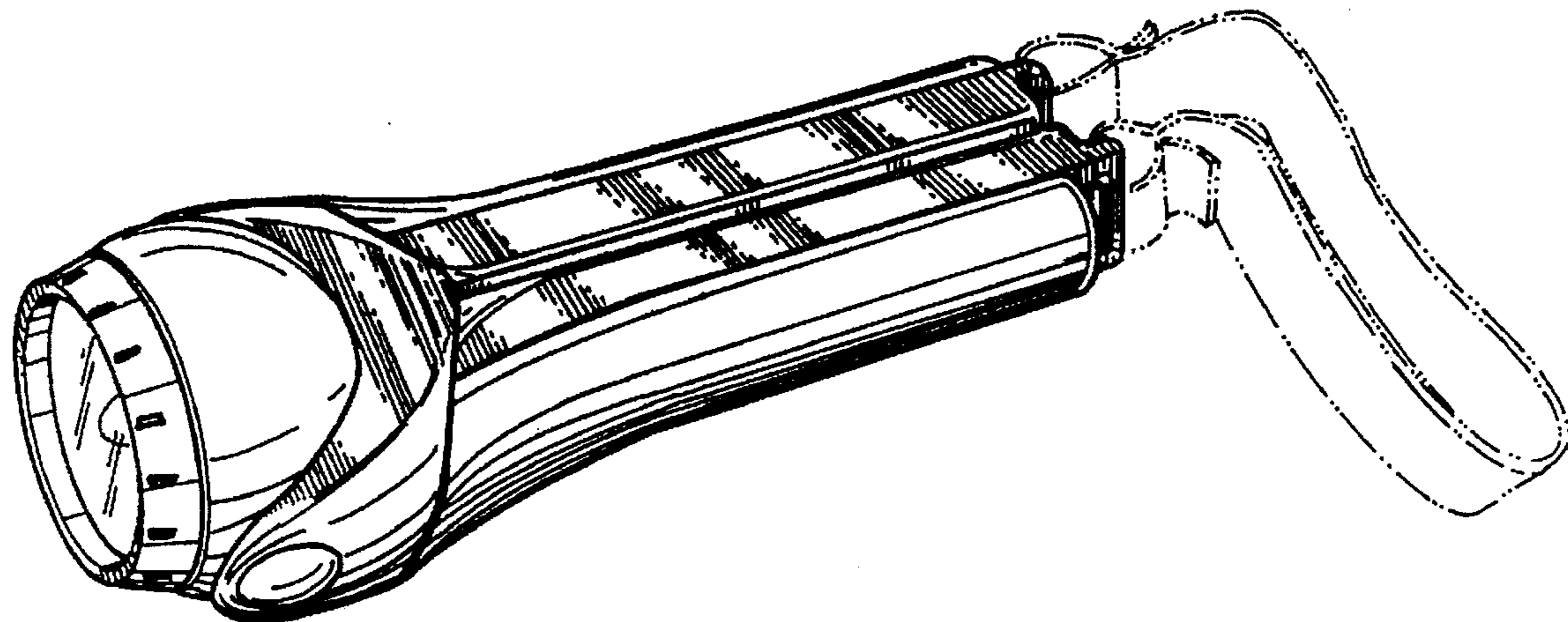
FIG. 11 is a bottom plan view of the flashlight of FIG. 7;

FIG. 12 is a front elevational view of the flashlight of FIG. 7; and,

FIG. 13 is a rear elevational view of the flashlight of FIG. 7.

The dominant features of our design reside in the flashlight without the optional strap, which may be employed in use of the flashlight.

1 Claim, 6 Drawing Sheets



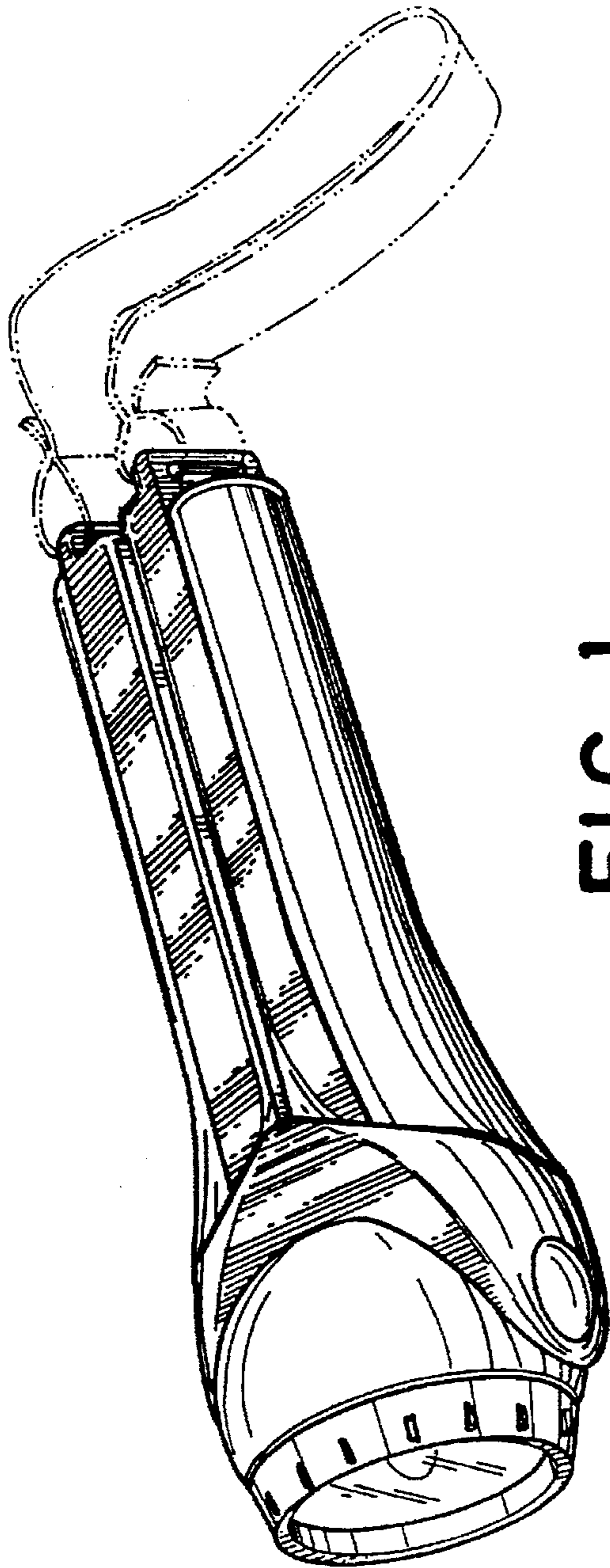


FIG. 1

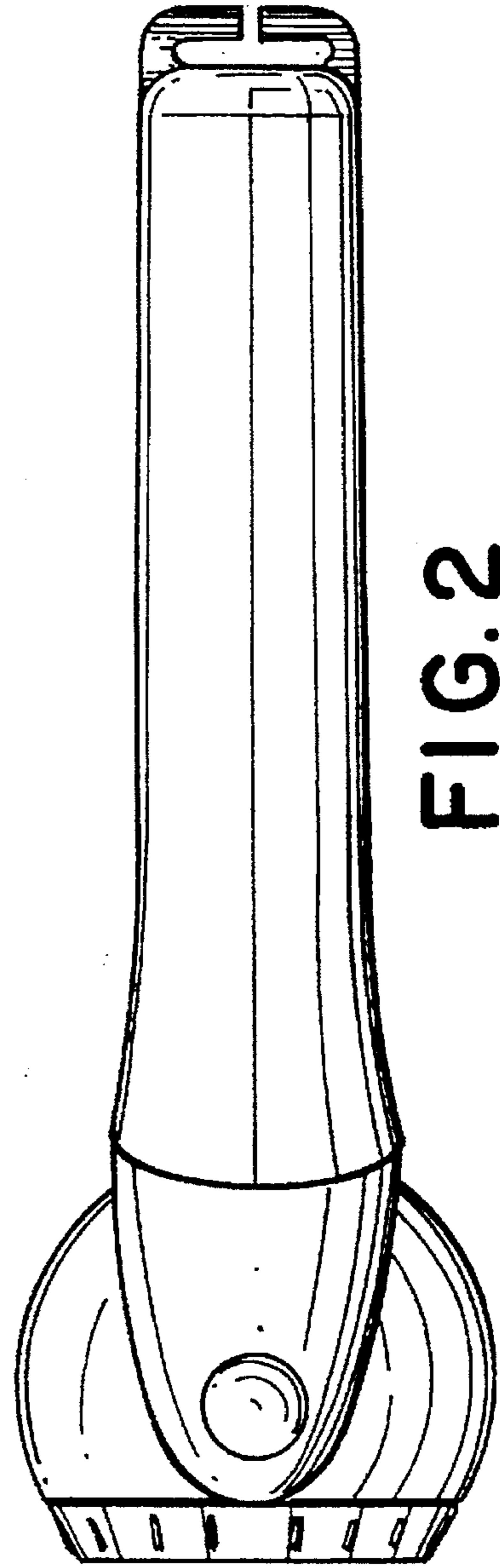


FIG. 2

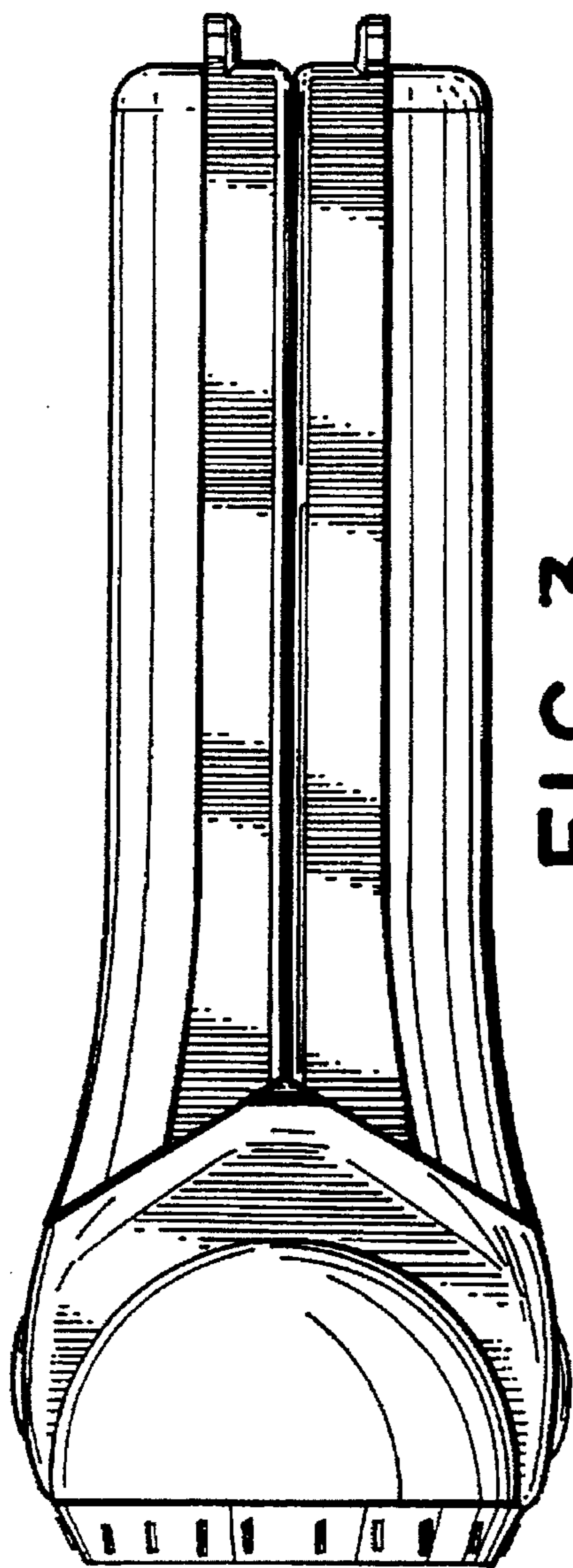


FIG. 3

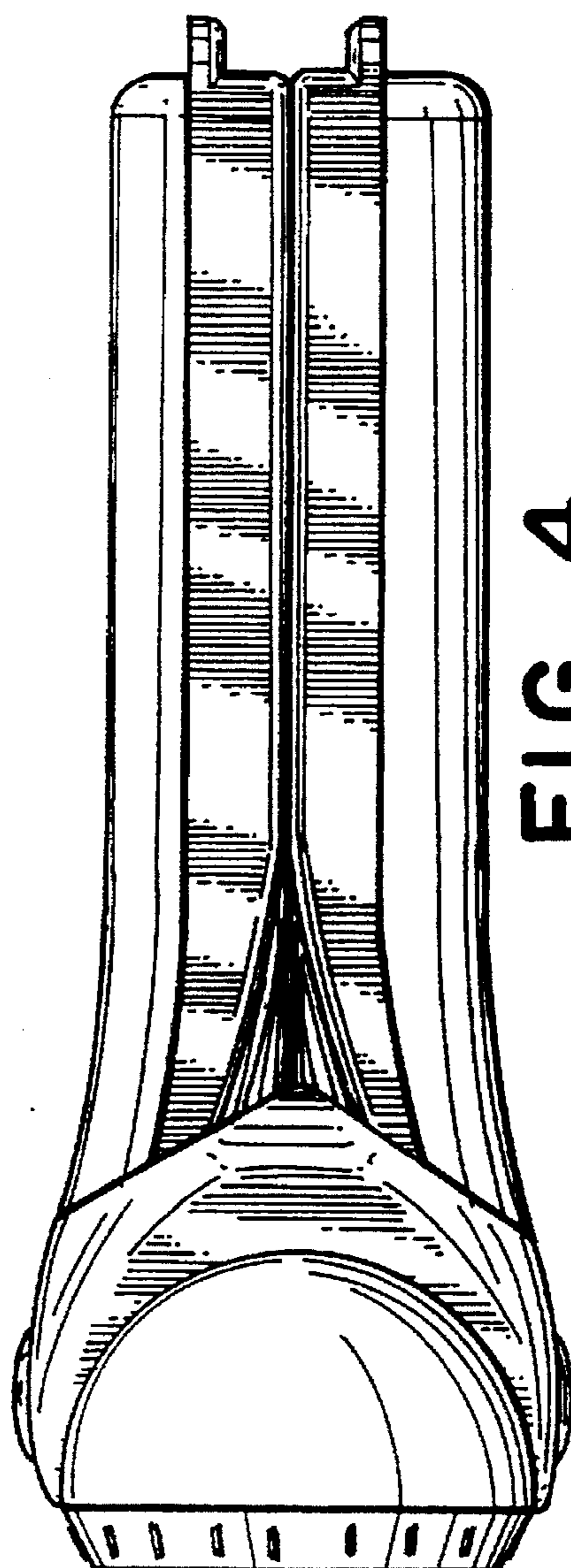


FIG. 4

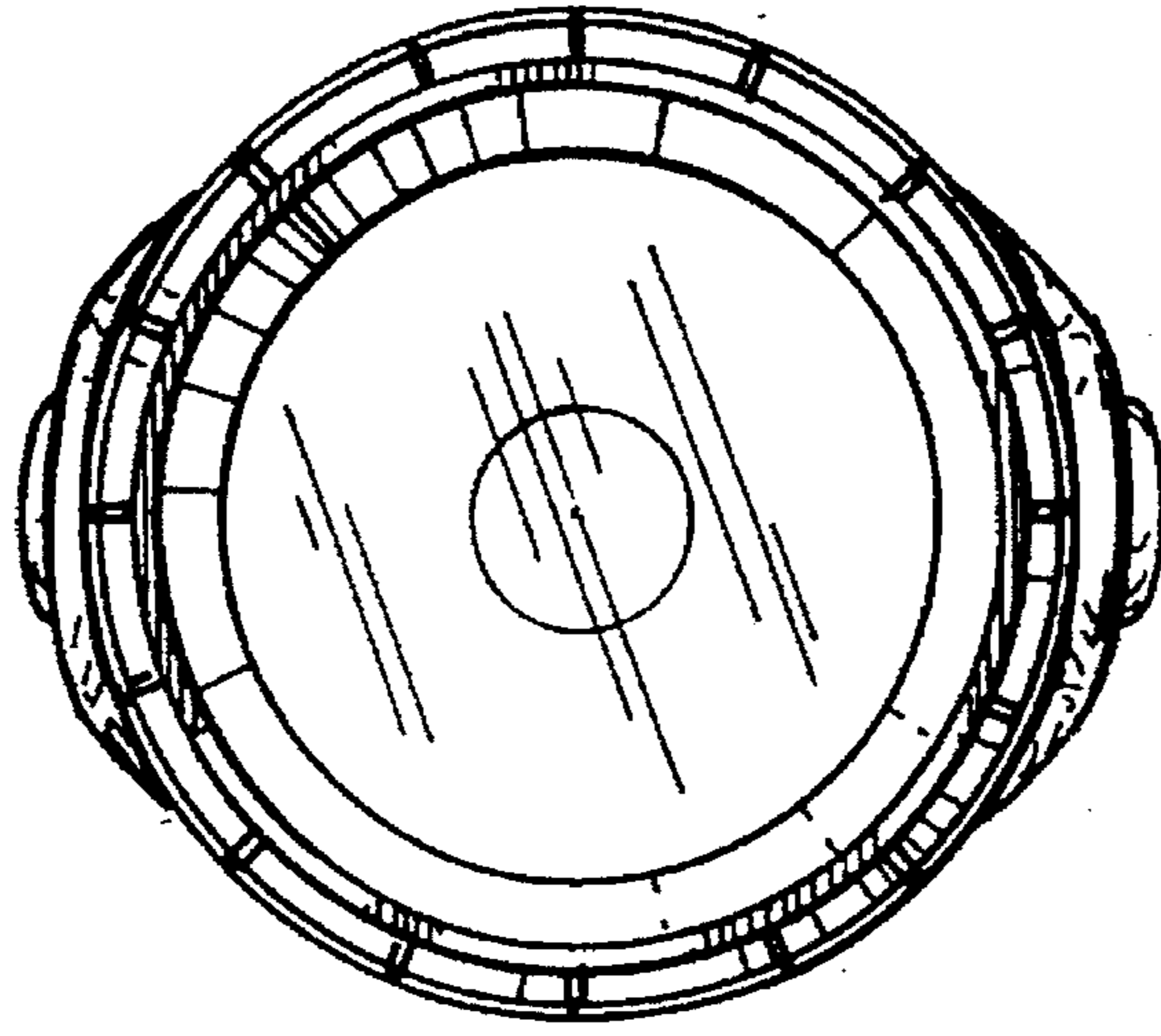


FIG. 5

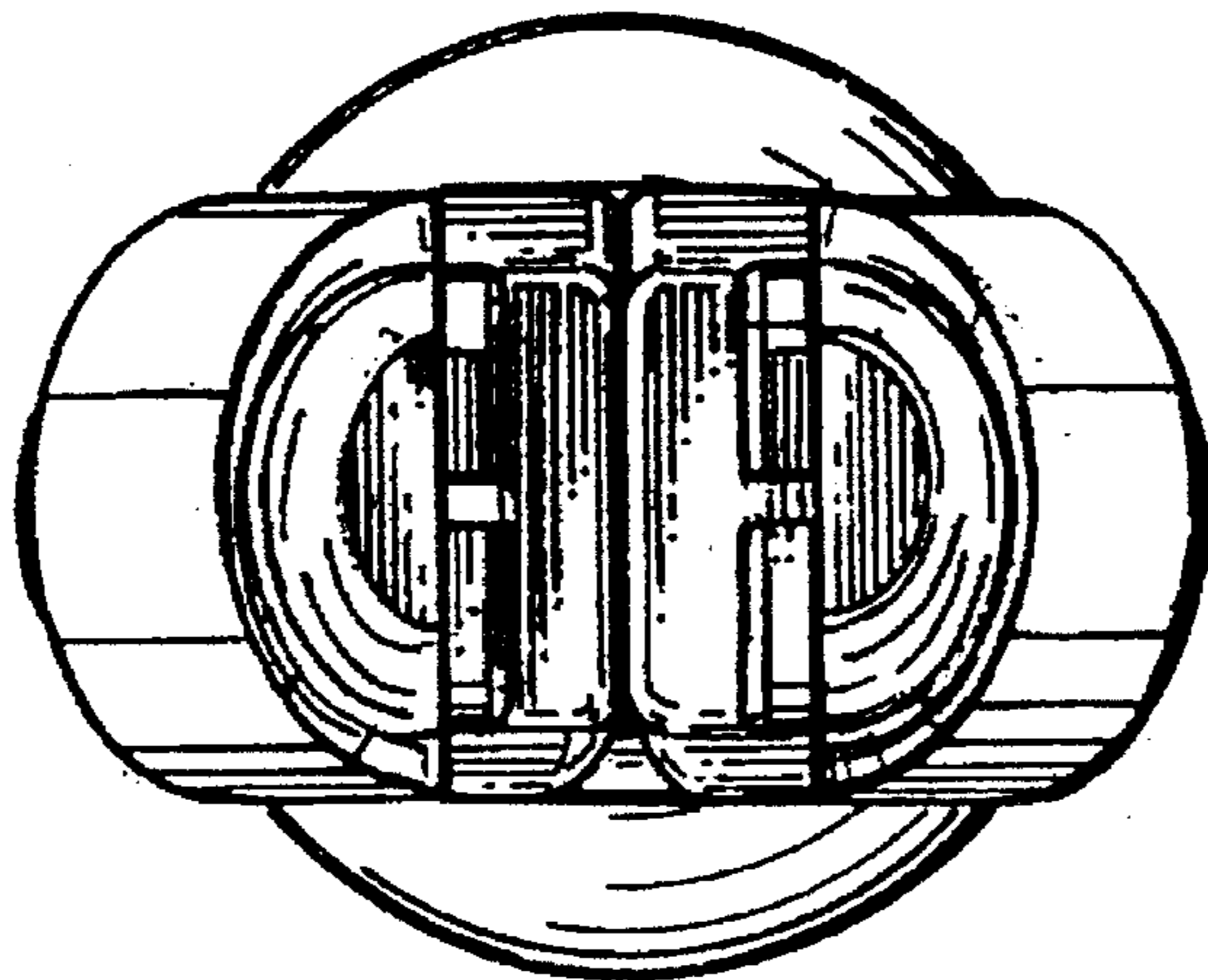


FIG. 6

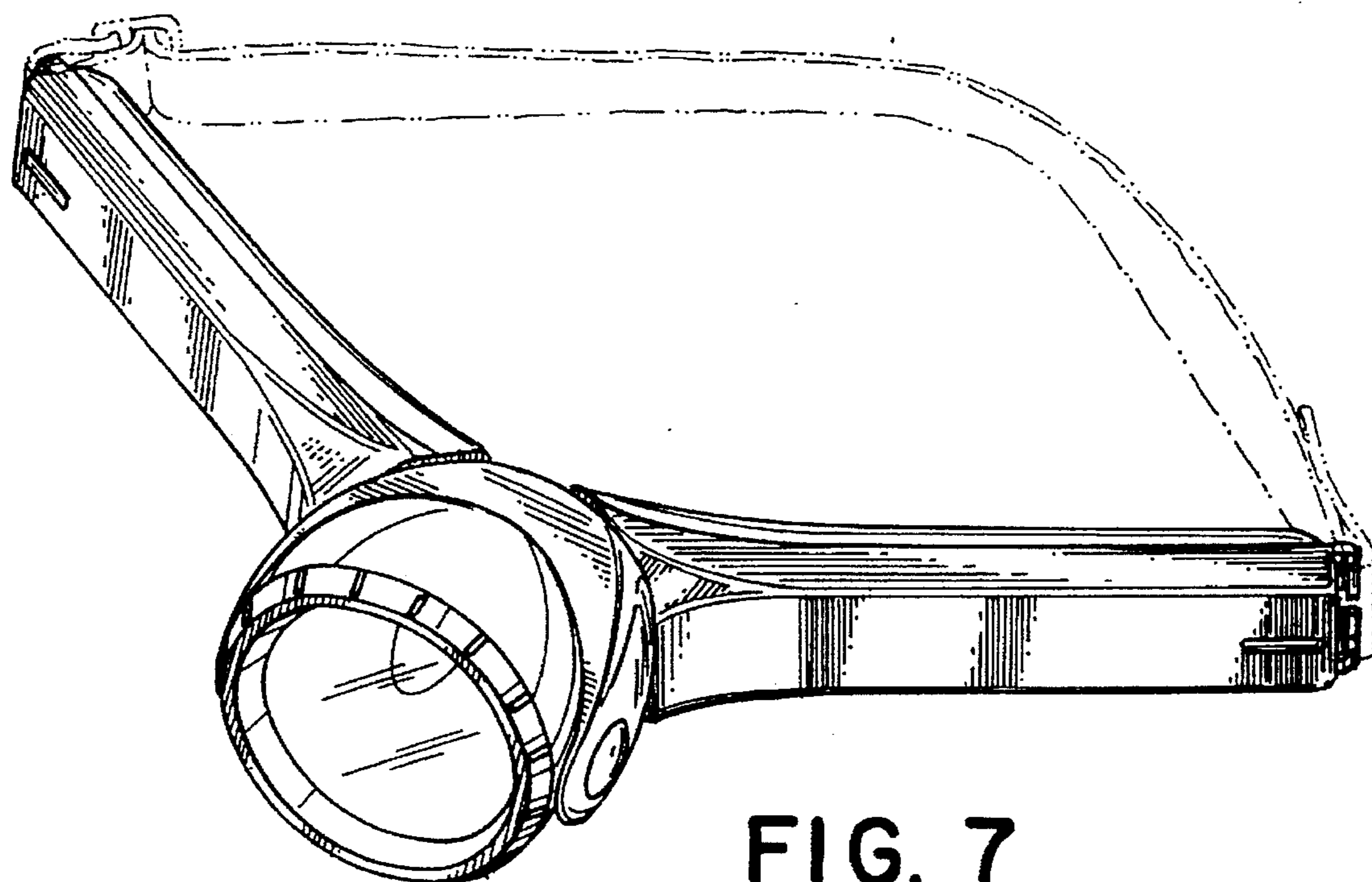


FIG. 7

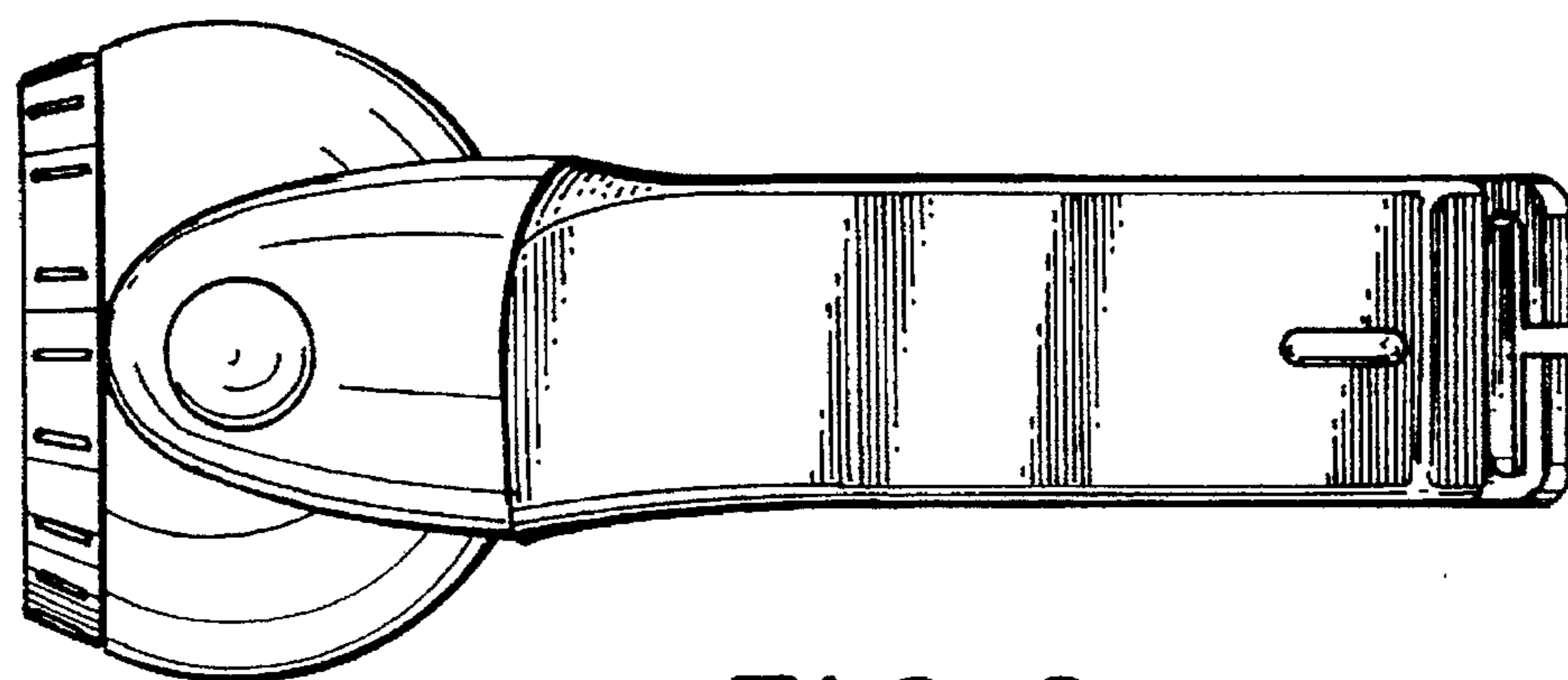


FIG. 8

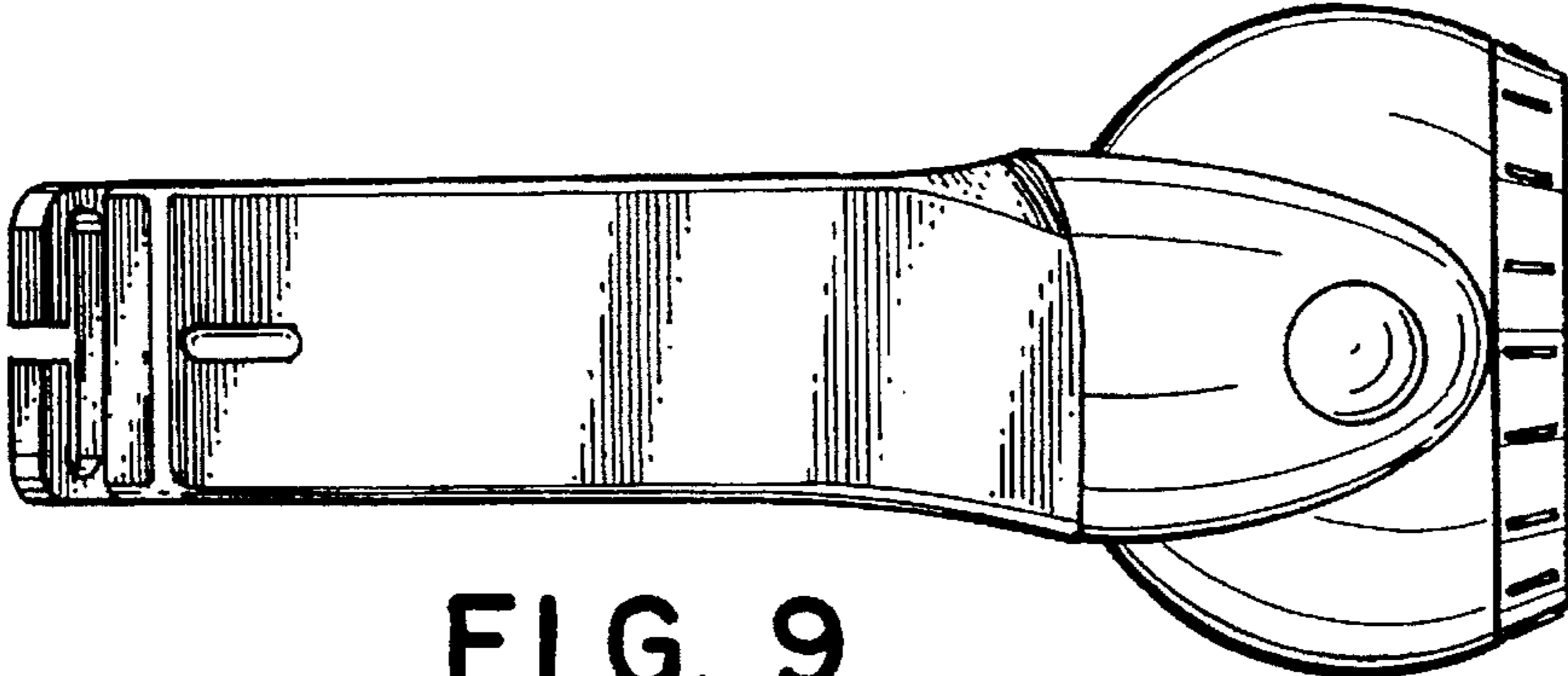


FIG. 9

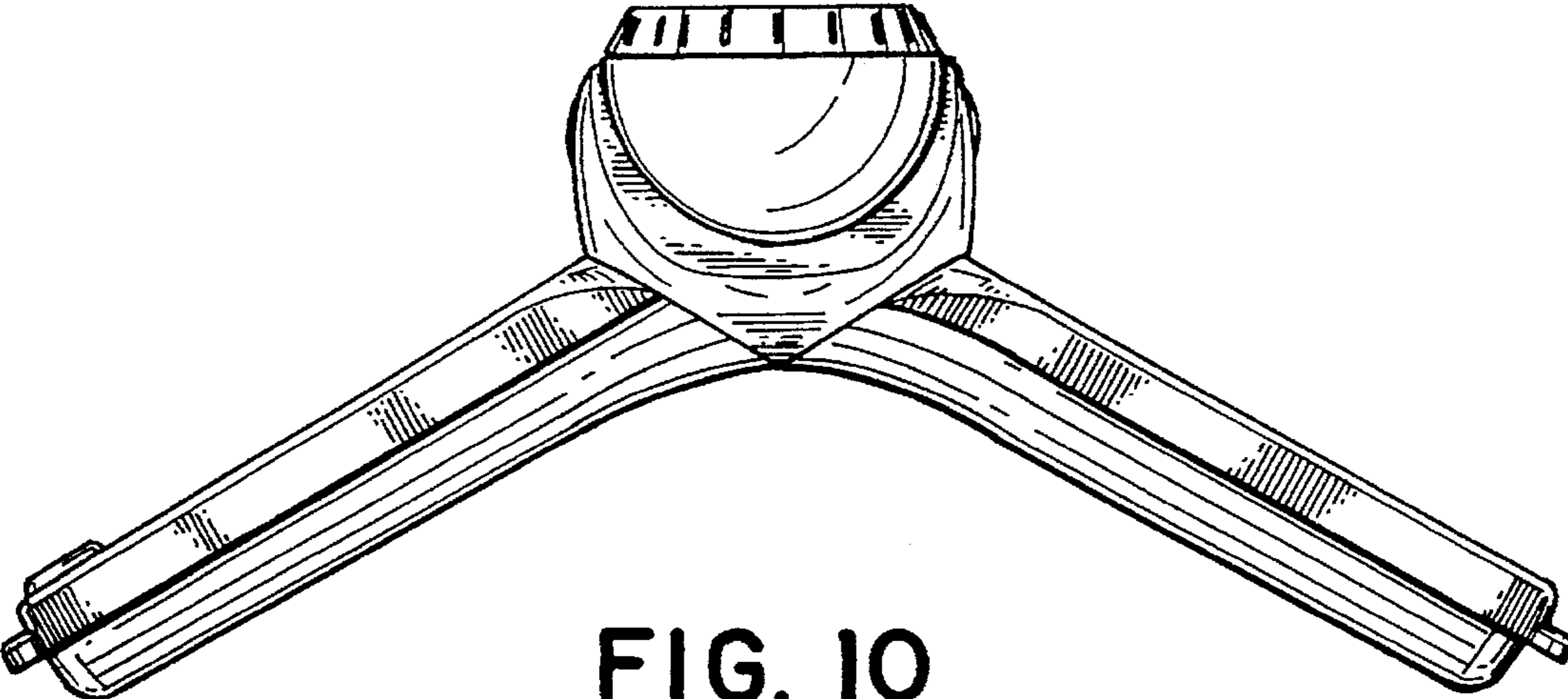


FIG. 10

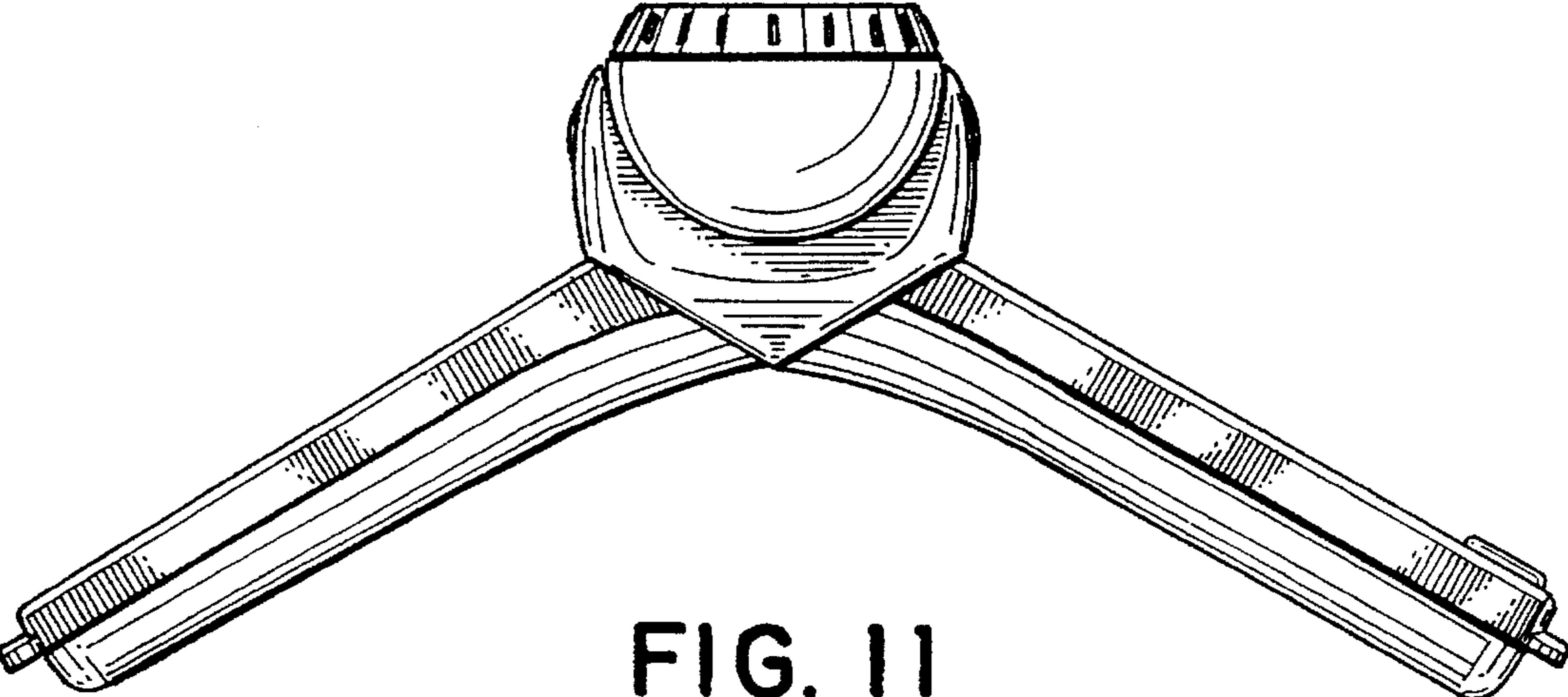


FIG. 11

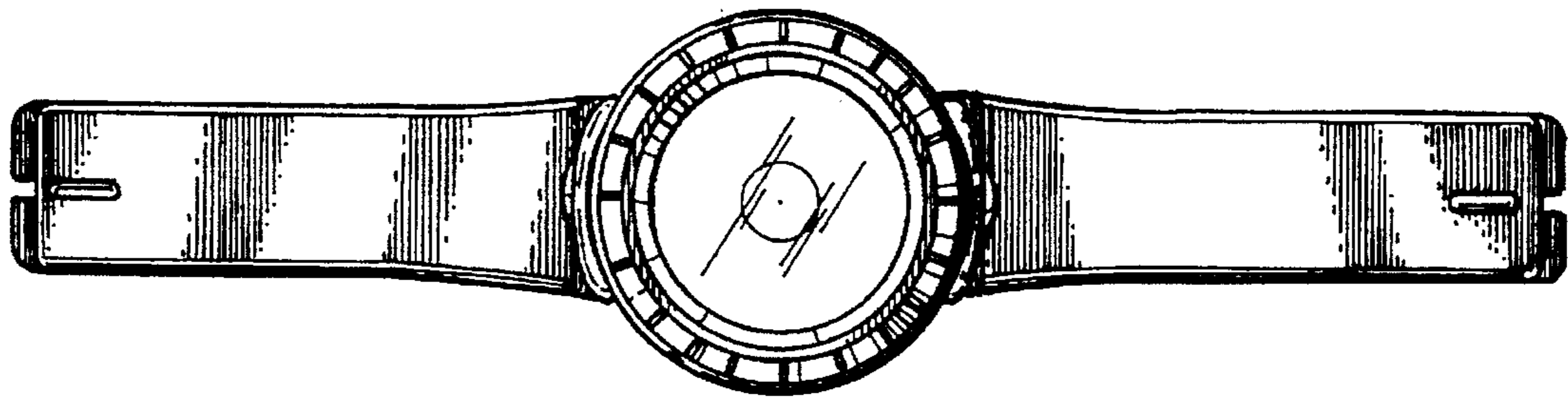


FIG. 12

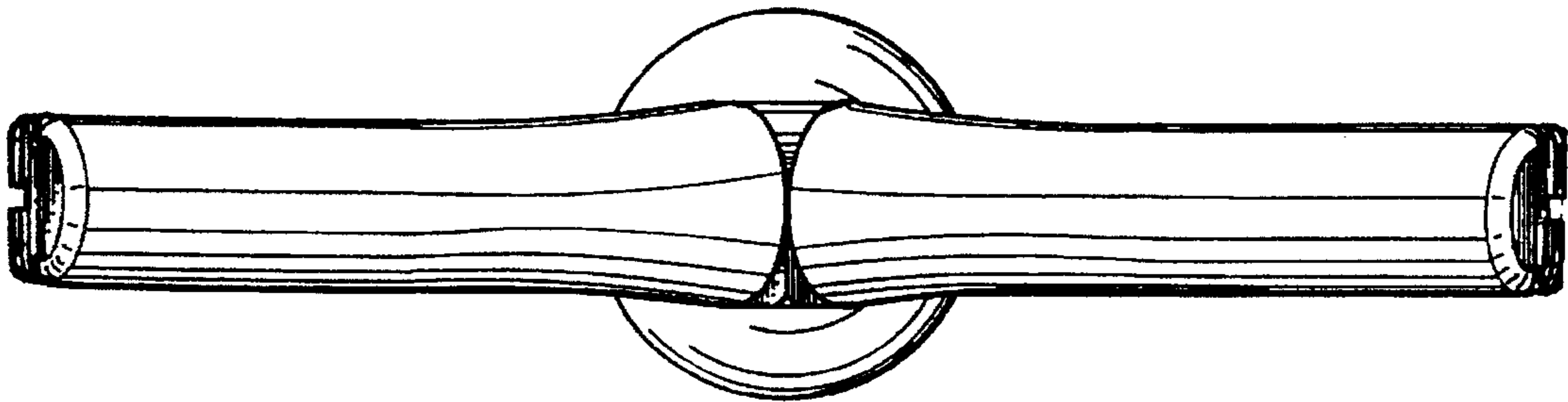


FIG. 13