



US00D380857S

United States Patent [19]

Faris

[11] Patent Number: **Des. 380,857**

[45] Date of Patent: ****Jul. 8, 1997**

[54] **AUTOMOTIVE LIGHT BULB**

[76] Inventor: **Elias Faris**, 808 Glenmore St.,
Pasadena, Tex. 77503

[**] Term: **14 Years**

[21] Appl. No.: **53,067**

[22] Filed: **Apr. 16, 1996**

[51] LOC (6) Cl. **26-06**

[52] U.S. Cl. **D26/28**

[58] Field of Search D26/1, 28-36;
362/80, 81, 82, 83, 235, 240, 277, 296,
297, 300, 311

[56] **References Cited**

U.S. PATENT DOCUMENTS

D. 266,997 11/1982 Hsue D26/28

D. 269,817 7/1983 Frazier D26/28
D. 357,756 4/1995 Tsai D26/28

Primary Examiner—Marcus A. Jackson
Attorney, Agent, or Firm—Harold H. Dutton, Jr.; W. Charles
L. Jamison; Diane F. Liebman

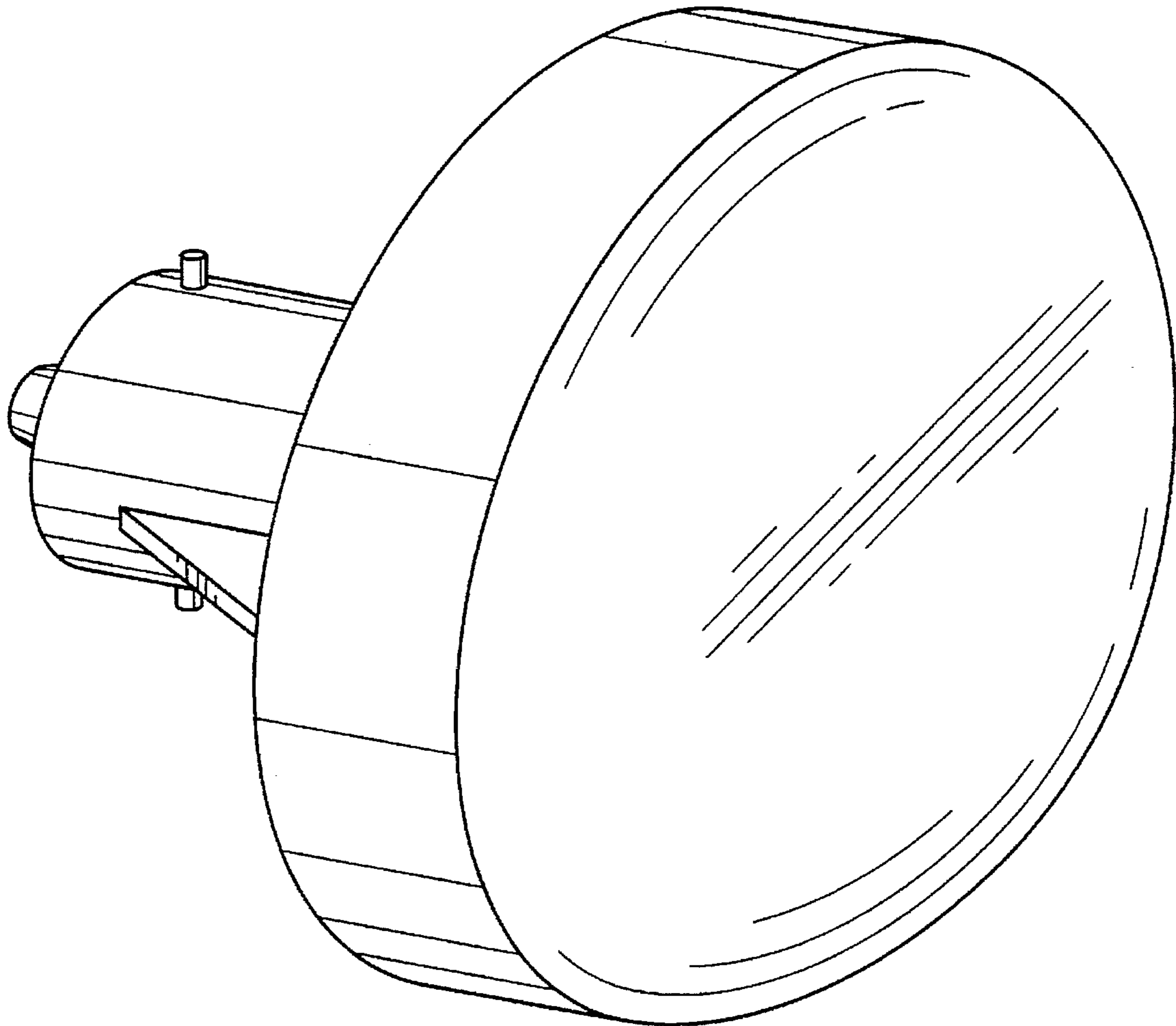
[57] **CLAIM**

The ornamental design for an automobile light bulb, as shown and described.

DESCRIPTION

FIG. 1 is a perspective view of an automotive light bulb showing my new design;
FIG. 2 is a front view thereof;
FIG. 3 is a rear view thereof;
FIG. 4 is a left side view thereof; and,
FIG. 5 is a right side view thereof.

1 Claim, 4 Drawing Sheets



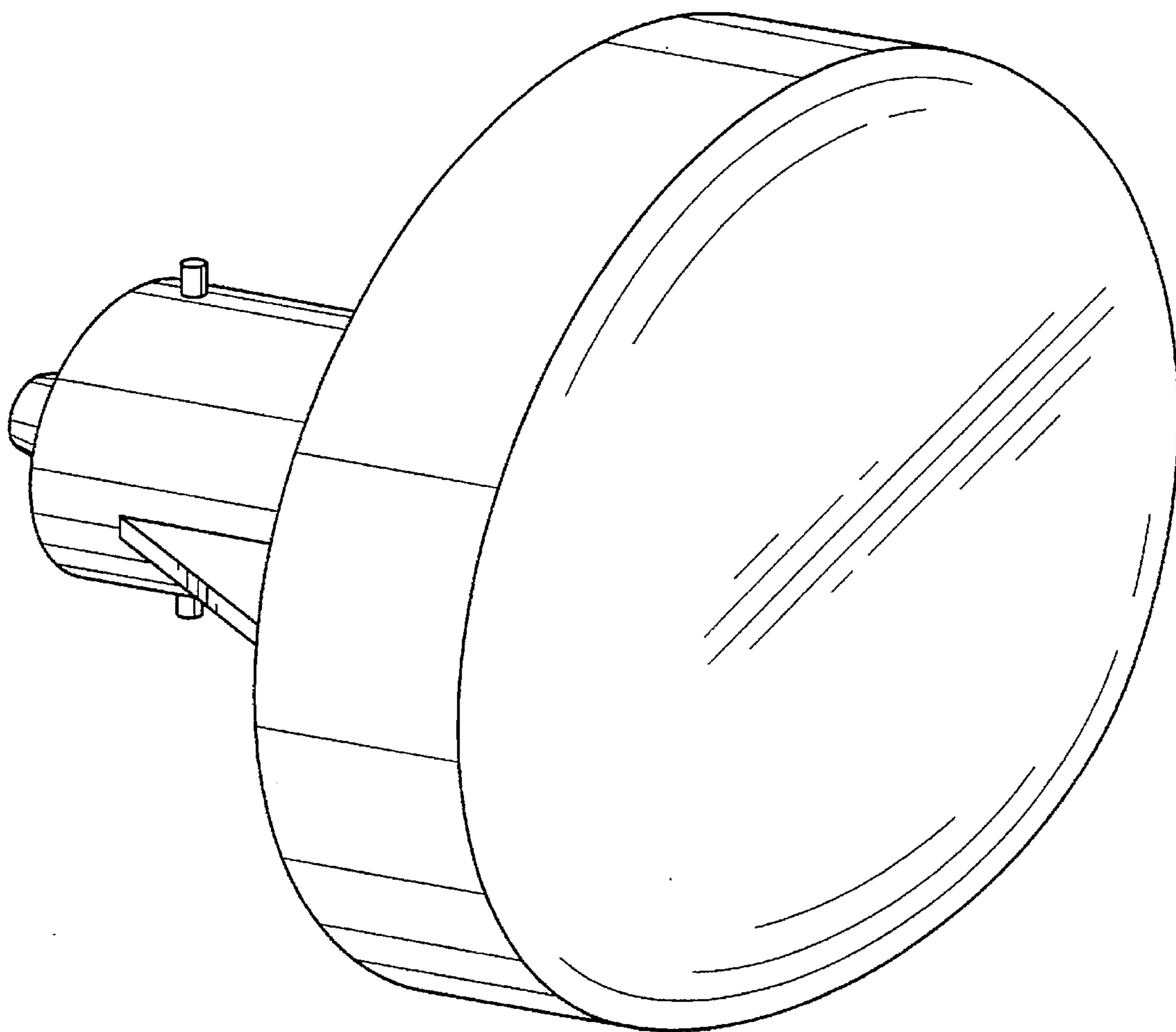


FIG. 1

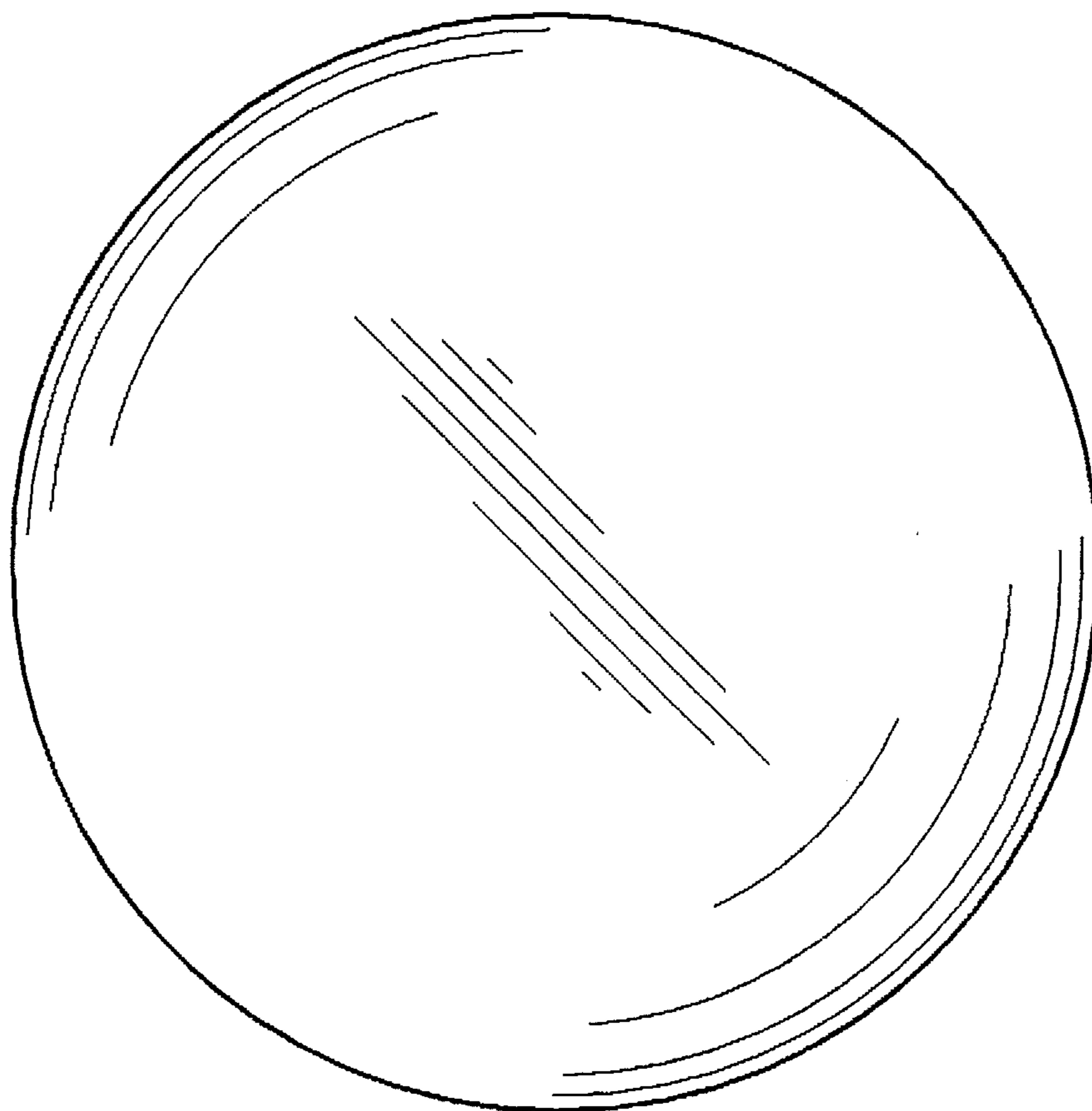


FIG. 2

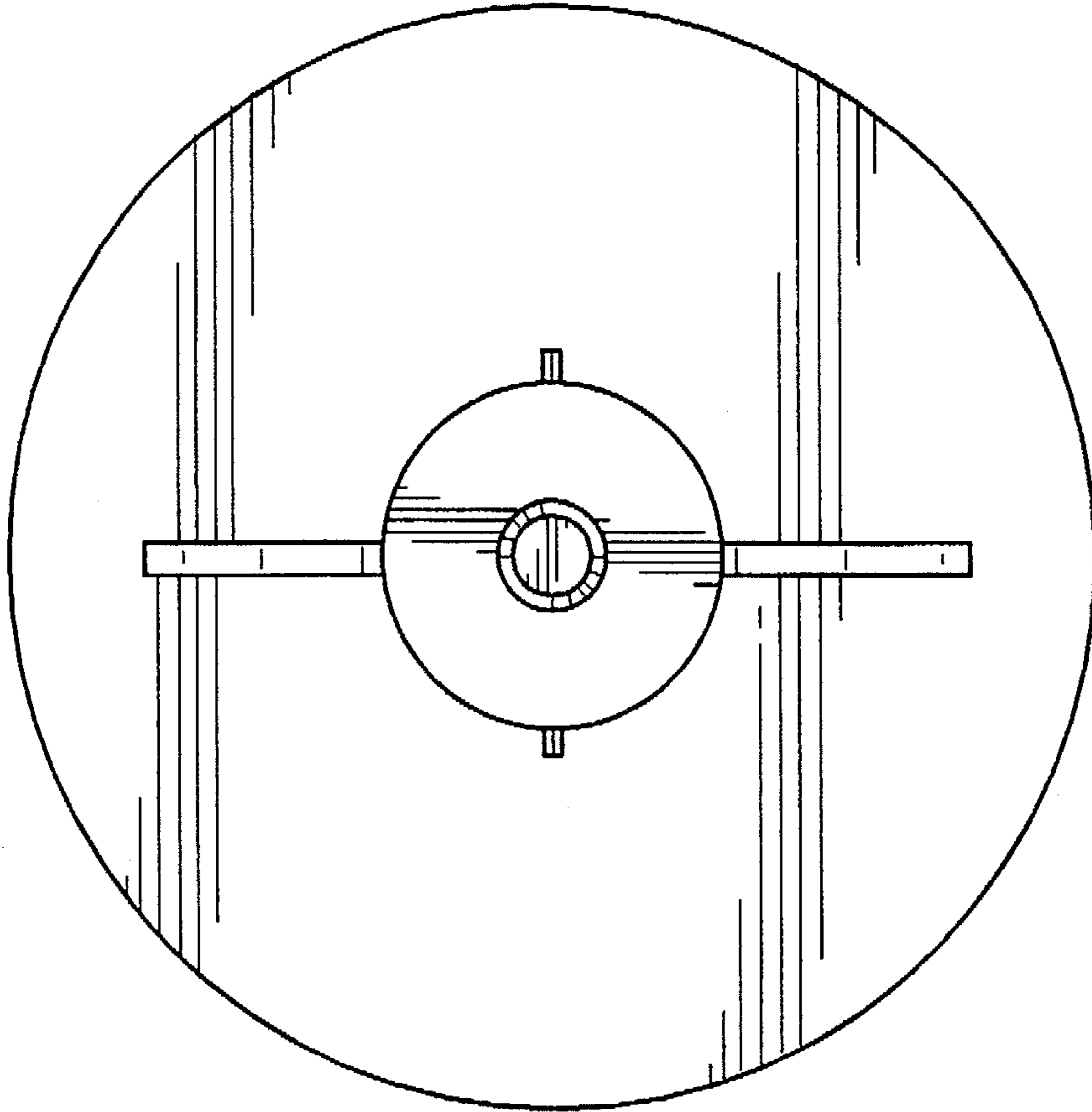


FIG. 3

FIG. 4

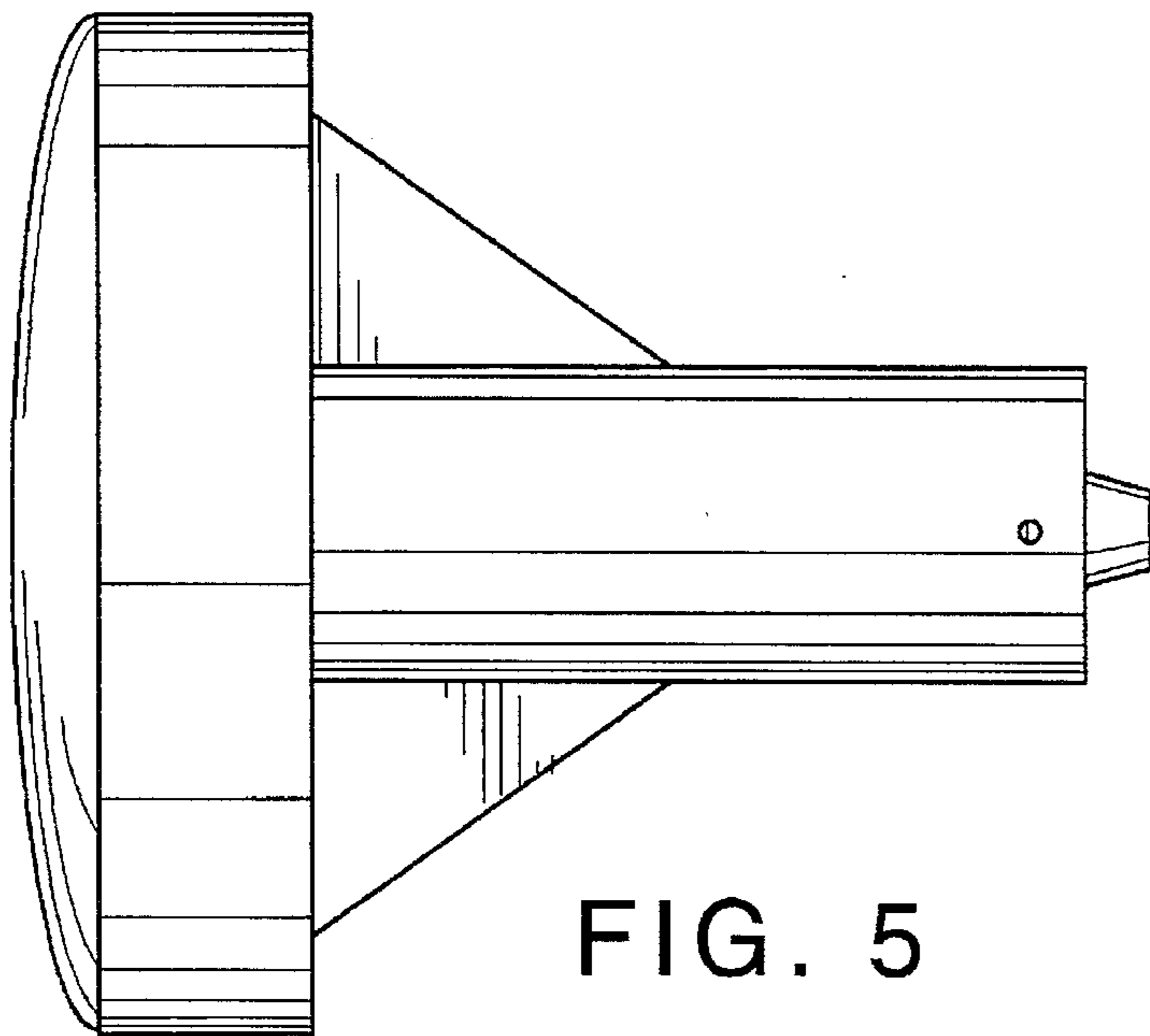
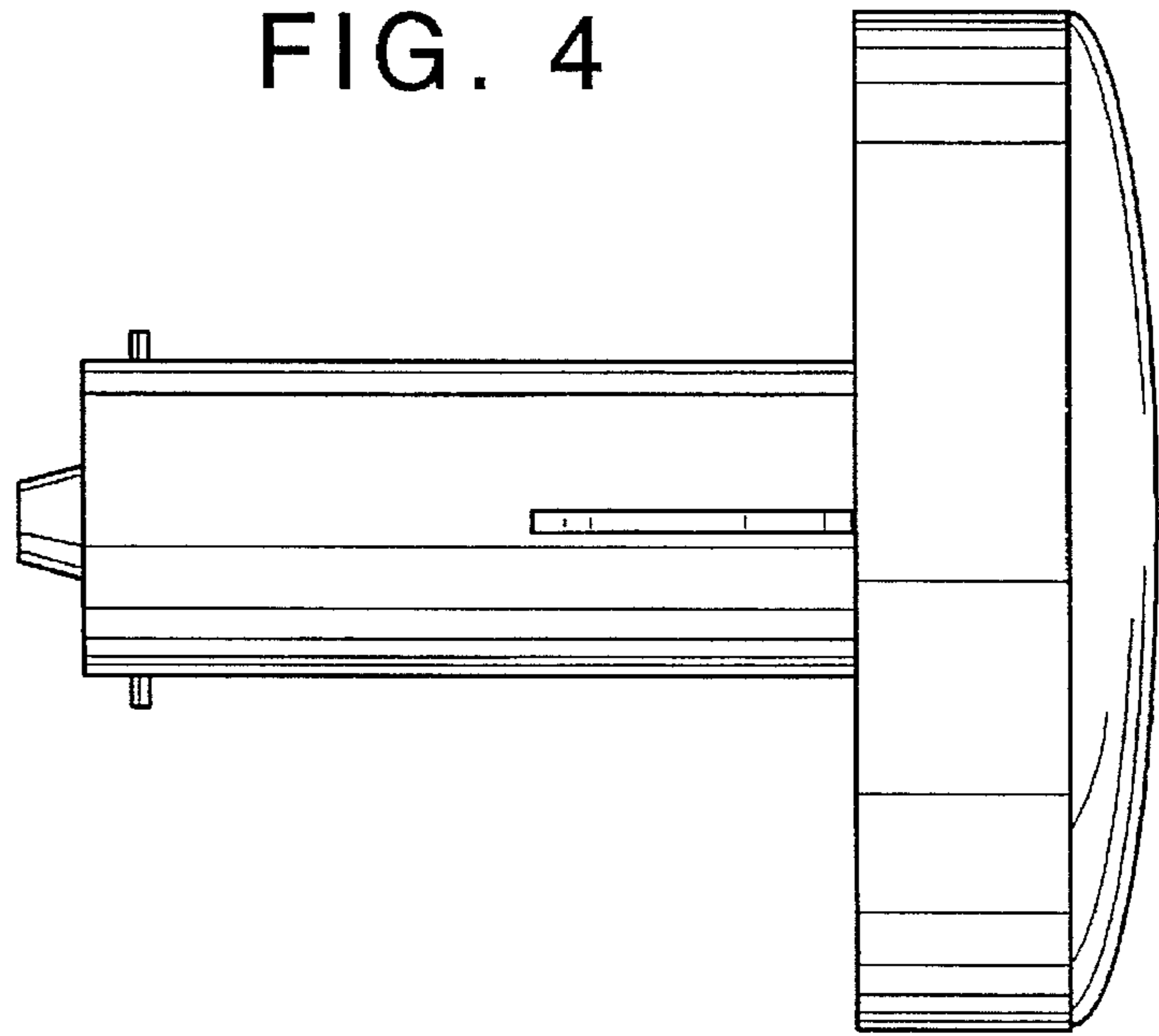


FIG. 5