



US00D380854S

United States Patent [19]
Bray

[11] **Patent Number:** **Des. 380,854**
[45] **Date of Patent:** ****Jul. 8, 1997**

[54] **LIGHTING ASSEMBLY COVER**

[75] **Inventor:** **Douglas R. Bray**, Medford, N.J.

[73] **Assignee:** **Sea Gull Lighting Products, Inc.**,
Riverside, N.J.

[**] **Term:** **14 Years**

[21] **Appl. No.:** **47,923**

[22] **Filed:** **Dec. 14, 1995**

[51] **LOC (6) Cl.** **26-99**

[52] **U.S. Cl.** **D26/142; D8/352**

[58] **Field of Search** **D26/142, 148,**
D26/149, 152, 72, 80-92; D8/352

[56] **References Cited**

U.S. PATENT DOCUMENTS

D. 14,737	10/1884	Dahl	D26/142
D. 50,805	5/1917	Barrows et al.	D26/142
D. 247,845	5/1978	Palm, Jr.	D8/352
D. 326,806	6/1992	Marques	D8/352
D. 333,363	2/1993	Lee	D26/142
D. 372,331	7/1996	Cheng	D26/142

OTHER PUBLICATIONS

Kichler Catalog, Model Nos. K5124, 5128, 5292, 5293,
5294 and 5295, Published between 1987 and 1992.

Primary Examiner—Susan J. Lucas

Attorney, Agent, or Firm—Seidel, Gonda, Lavorgna &
Monaco, P.C.

[57] **CLAIM**

The ornamental design for a lighting assembly cover, as
shown and described.

DESCRIPTION

FIG. 1 is an isometric view of a lighting assembly cover
showing our new design;

FIG. 2 is a front elevation view of a lighting assembly cover
showing our new design;

FIG. 3 is a rear elevation view of a lighting assembly cover
showing my new design;

FIG. 4 is a bottom plan view of a lighting assembly cover
showing our new design, the top plan view being the same;
and,

FIG. 5 is a right side elevation view of a lighting assembly
cover showing our new design, the left side elevation view
being the same.

1 Claim, 2 Drawing Sheets

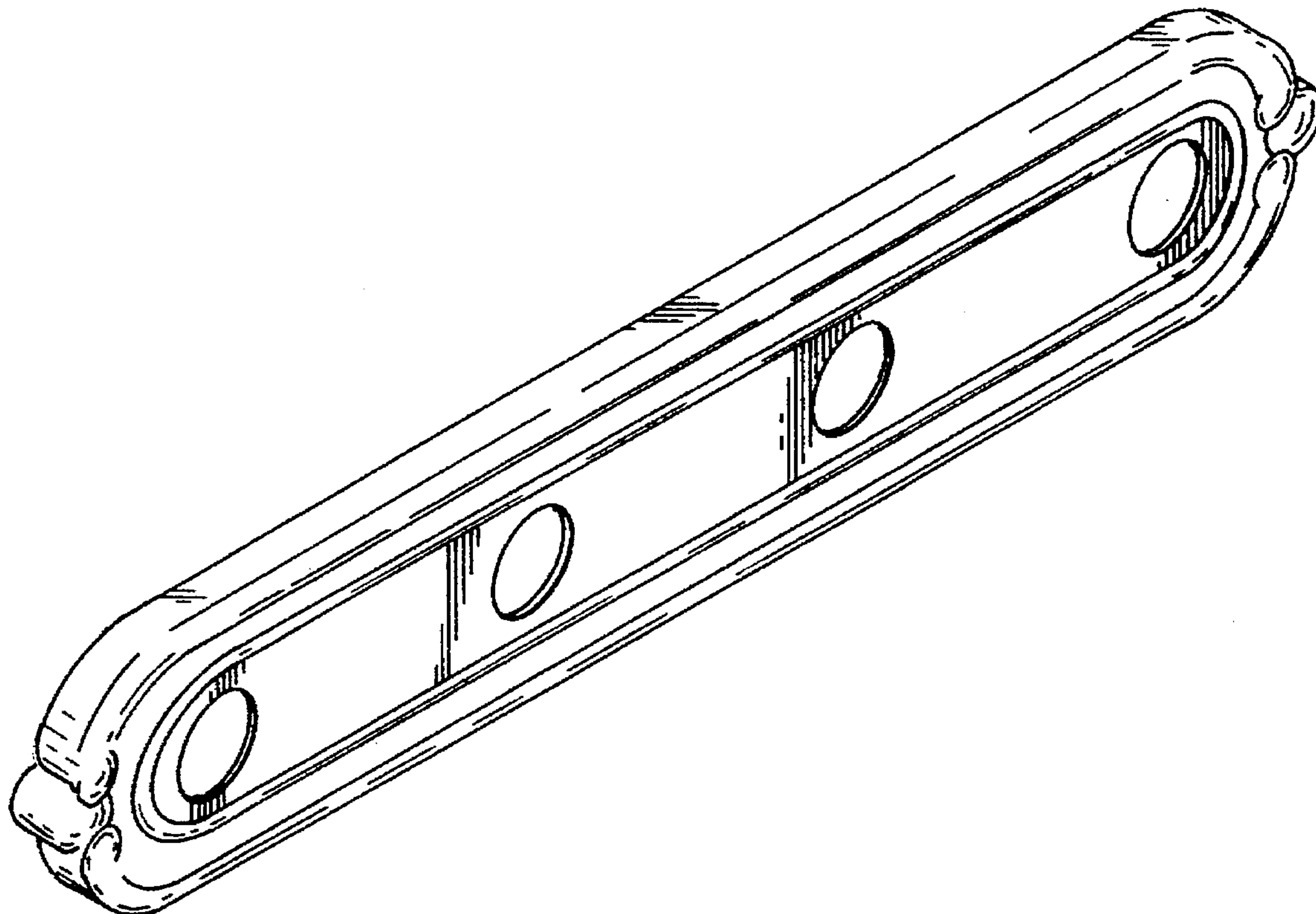


FIG. 1

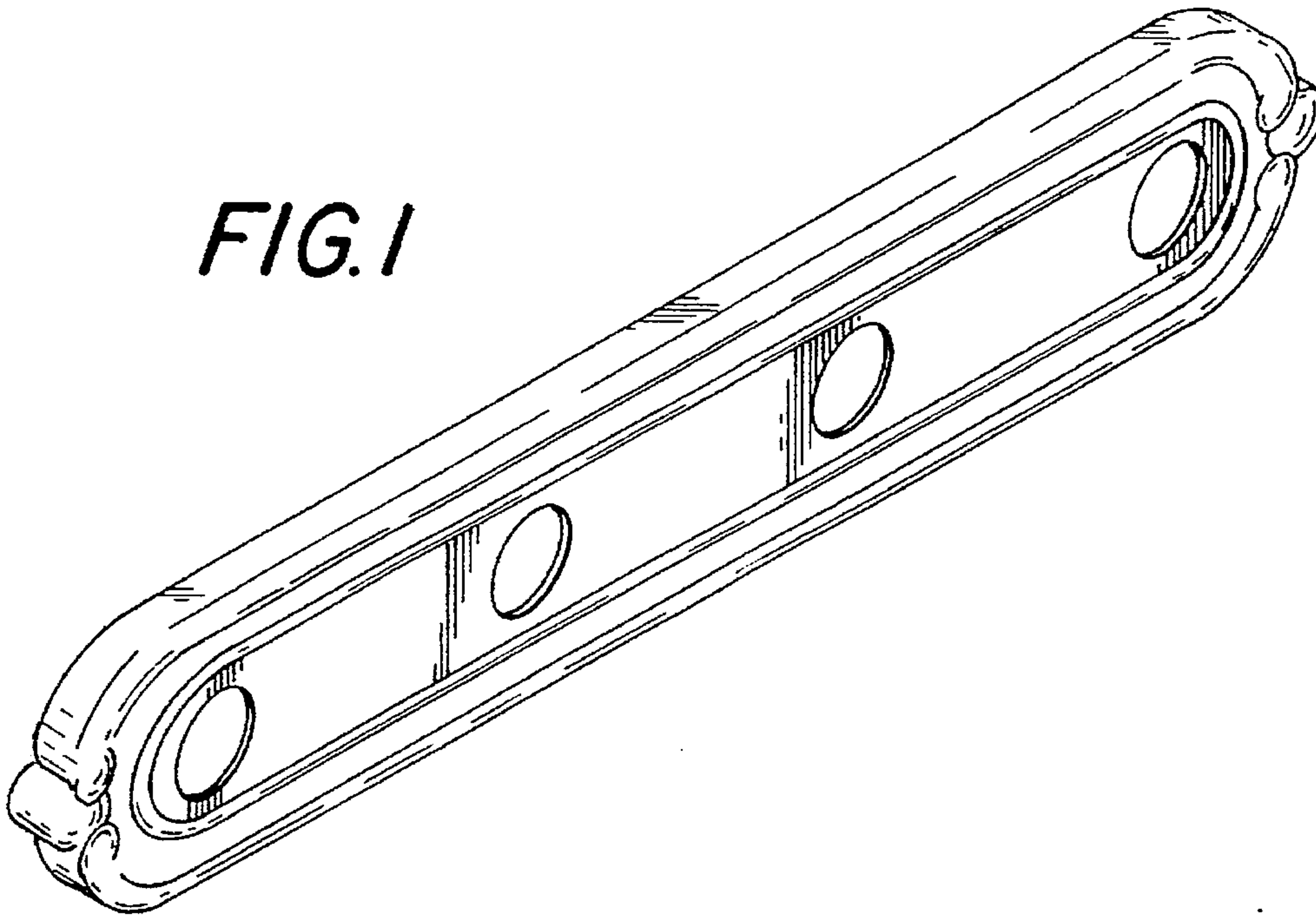


FIG. 2

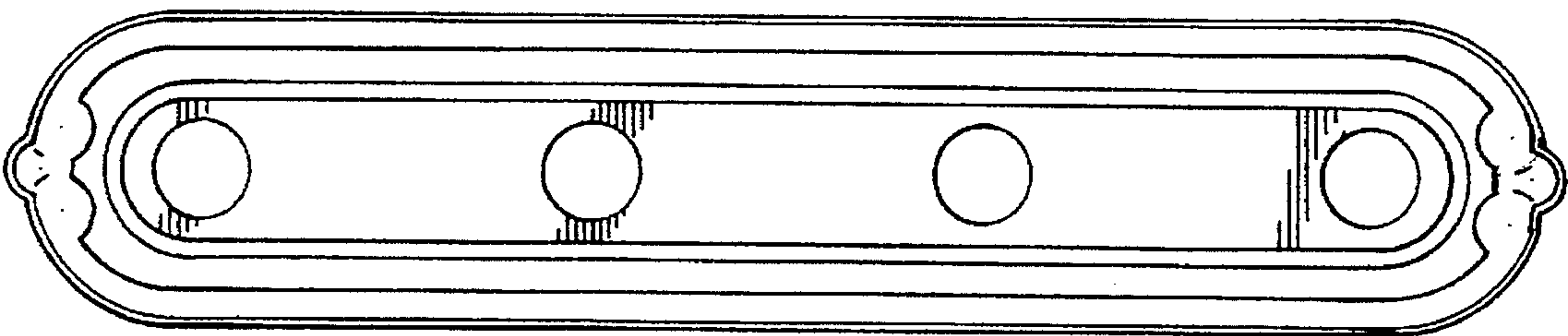
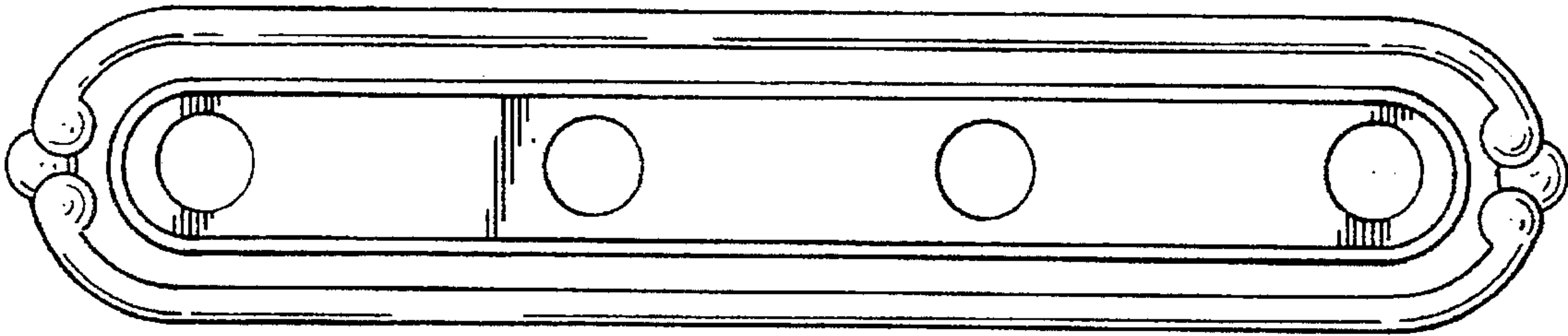


FIG. 3

FIG. 4

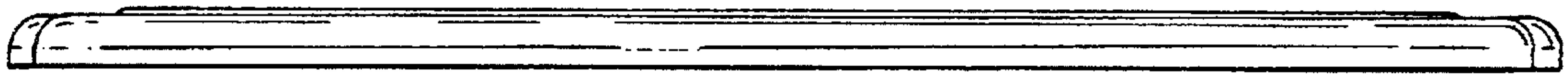


FIG. 5

