



US00D380852S

United States Patent [19]

[11] Patent Number: **Des. 380,852**

Lecluze

[45] Date of Patent: ****Jul. 8, 1997**

[54] **TRIM FOR EMBEDDED LIGHT FIXTURE**

5,373,431 12/1994 Hayman et al. 362/365 X

[76] Inventor: **Michel Lecluze**, 1009, rue du Parc Industriel, St-Jean-Chrysostome, Québec, Canada, G6Z 1C5

OTHER PUBLICATIONS

Lucifer Lighting Co. Catalog, p. 3, Top light-R.

[**] Term: **14 Years**

Primary Examiner—Susan J. Lucas
Attorney, Agent, or Firm—Jean H. Dubuc

[21] Appl. No.: **54,225**

[57] CLAIM

[22] Filed: **May 10, 1996**

The ornamental design for a trim for embedded light fixture, as shown and described.

[51] LOC (6) Cl. **26-99**

[52] U.S. Cl. **D26/118; D26/74**

[58] **Field of Search** D26/74, 113, 118;
362/147, 148, 277, 269, 364, 365, 366,
346, 341

DESCRIPTION

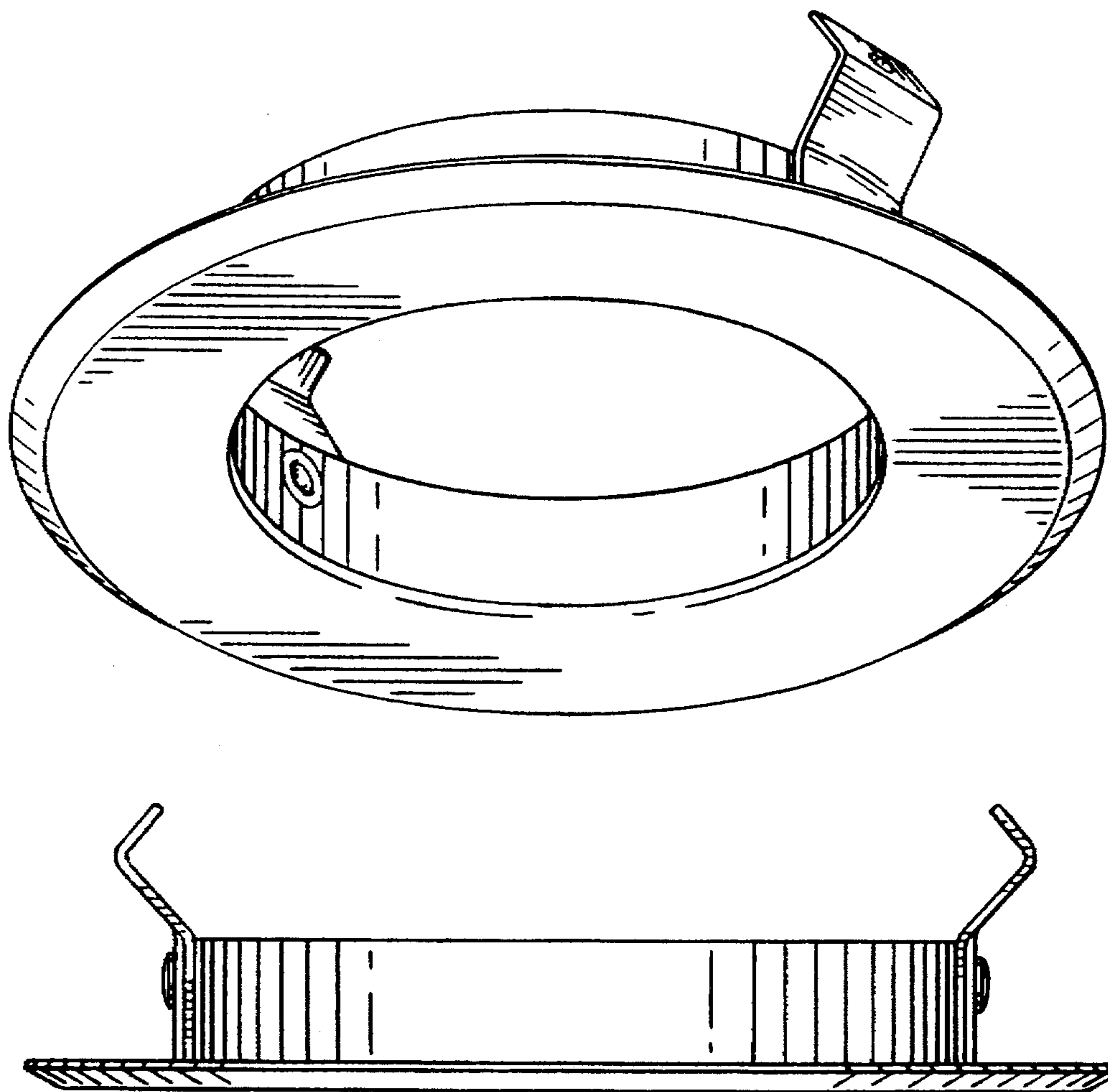
FIG. 1 is a bottom perspective view of a trim for embedded light fixture showing my new design;
FIG. 2 is a side view thereof;
FIG. 3 is a side view thereof as seen from the left of FIG. 2;
FIG. 4 is a bottom plan view thereof; and,
FIG. 5 is a top plan view thereof.

[56] References Cited

U.S. PATENT DOCUMENTS

D. 370,550 6/1996 Lecluze D26/118
4,733,339 3/1988 Kelsall 362/365 X

1 Claim, 2 Drawing Sheets



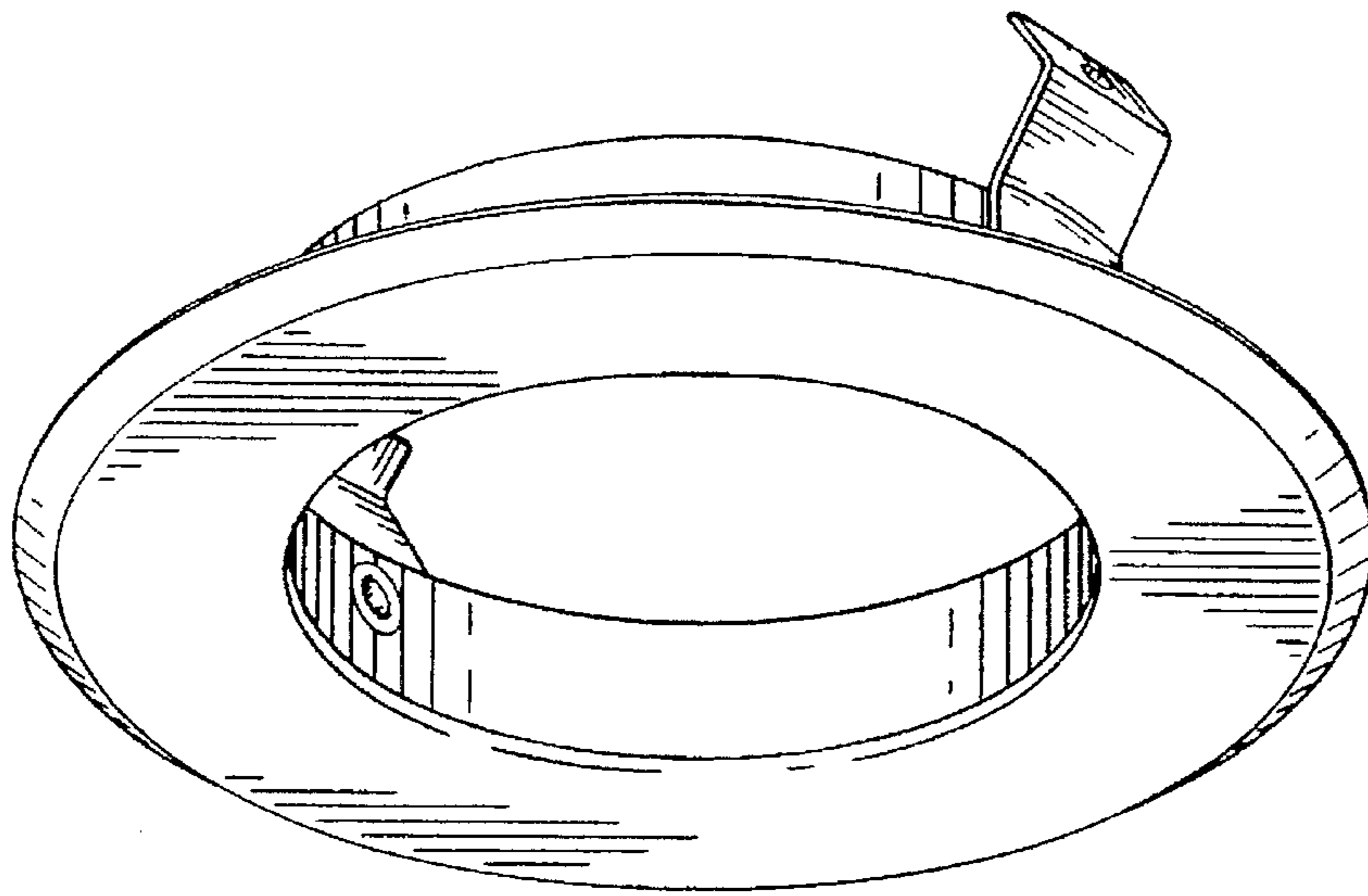


FIG. 1

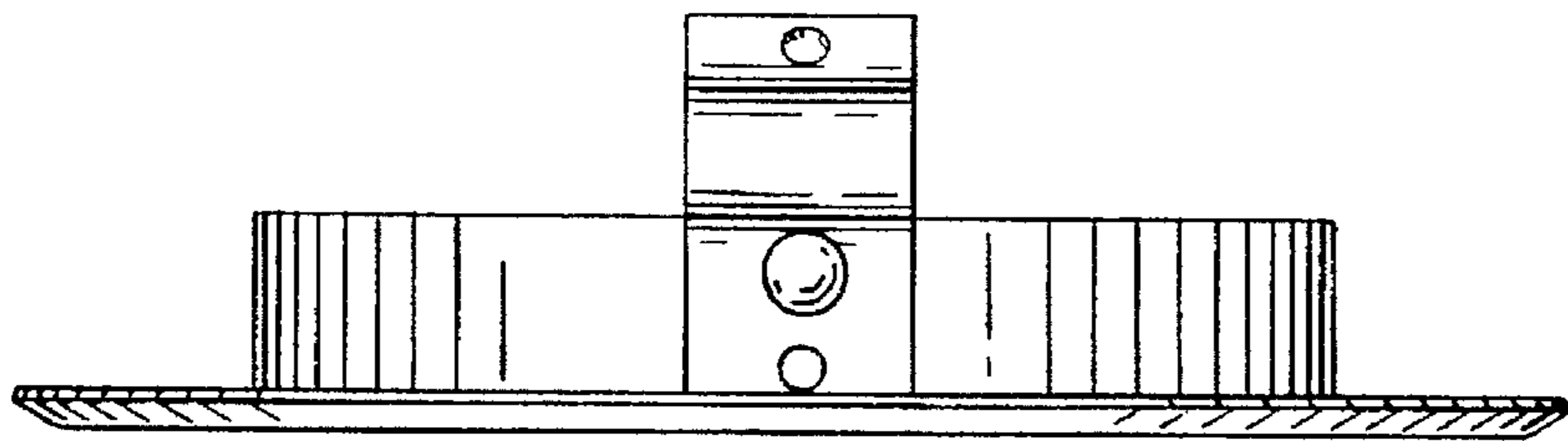


FIG. 2

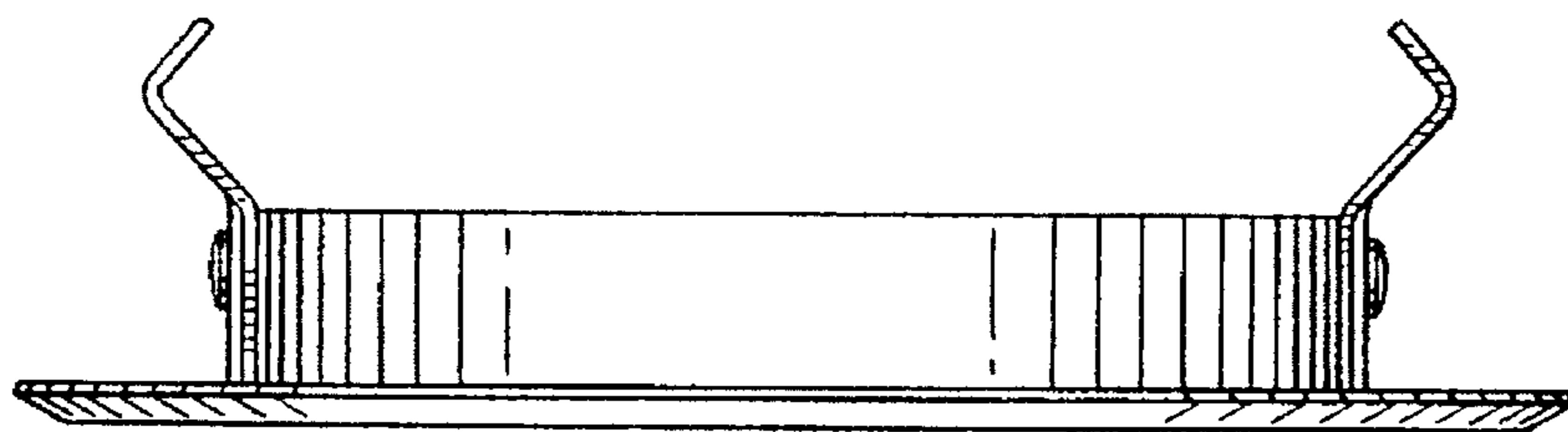


FIG. 3

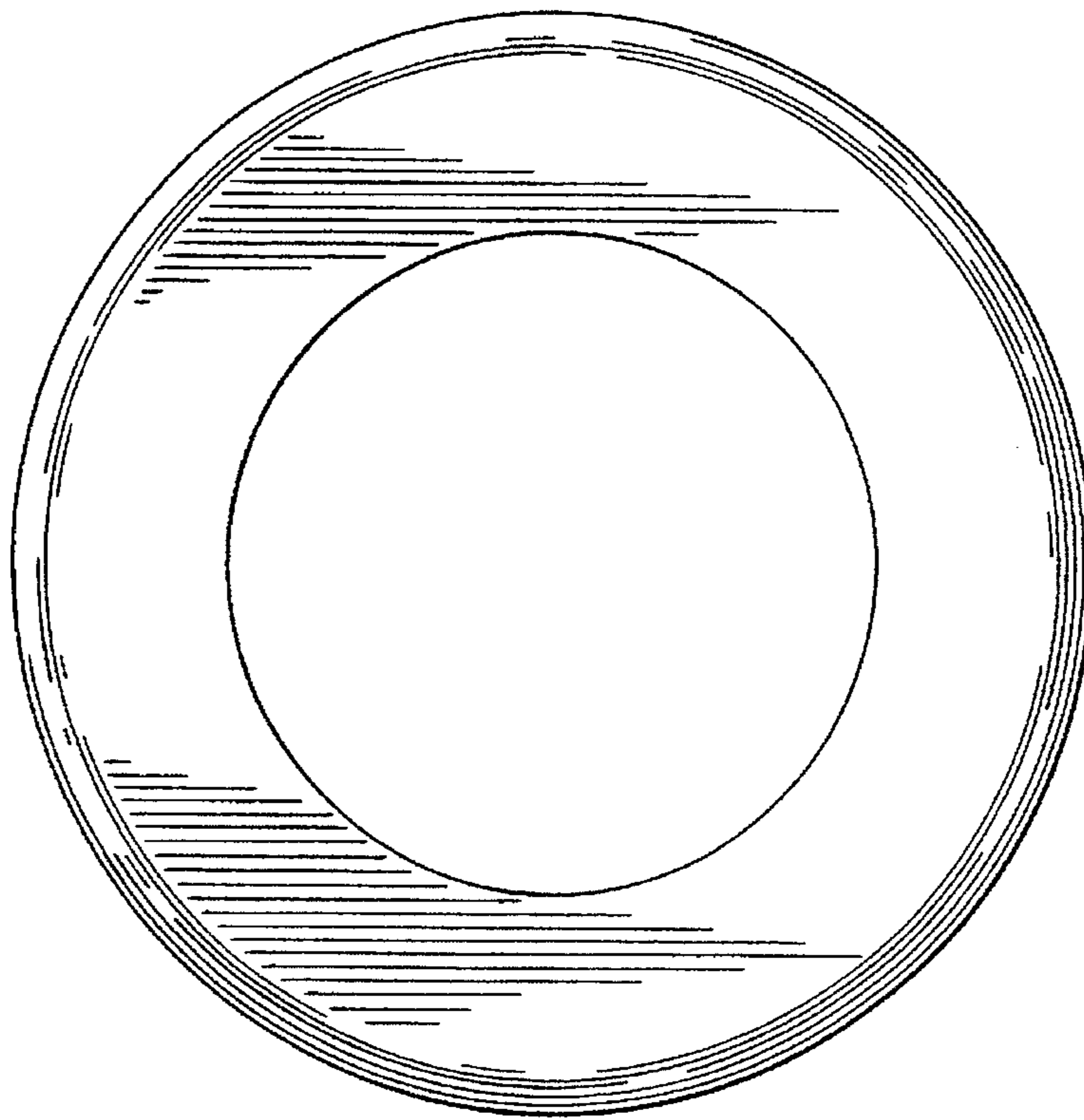


FIG. 4

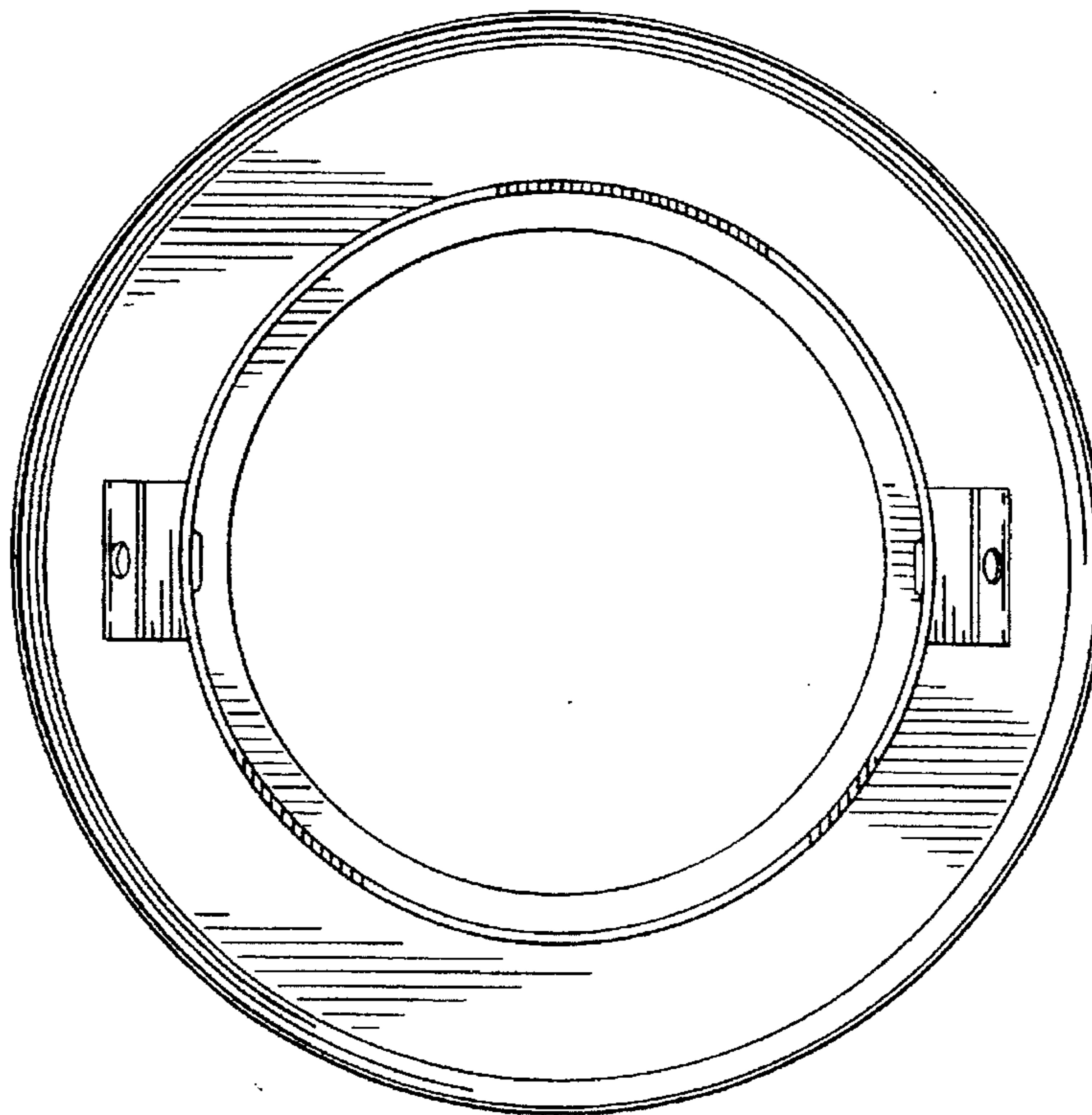


FIG. 5