



US00D380850S

United States Patent [19]

[11] Patent Number: **Des. 380,850**

Bray

[45] Date of Patent: ****Jul. 8, 1997**

[54] LIGHTING FIXTURE

[75] Inventor: **Douglas R. Bray**, Medford, N.J.

[73] Assignee: **Sea Gull Lighting Products, Inc.**,
Riverside, N.J.

[**] Term: **14 Years**

[21] Appl. No.: **47,925**

[22] Filed: **Dec. 14, 1995**

[51] LOC (6) Cl. **26-05**

[52] U.S. Cl. **D26/87**

[58] Field of Search D26/72, 80-92,
D26/51; 362/33, 125, 133, 147, 432

[56] References Cited

U.S. PATENT DOCUMENTS

D. 158,803	5/1950	Russell	D26/76
D. 330,945	11/1992	Neustadt	D26/75
D. 337,844	7/1993	Poirier	D26/76
4,164,009	8/1979	Maguire, Jr. et al.	362/432 X
4,237,528	12/1980	Baldwin	362/432

Primary Examiner—Susan J. Lucas
Attorney, Agent, or Firm—Seidel, Gonda, Lavorona & Monaco

[57] CLAIM

The ornamental design of a lighting fixture, as shown and described.

DESCRIPTION

FIG. 1 is an isometric view of a lighting fixture showing our new design;

FIG. 2 is a bottom plan view of a lighting fixture showing our new design;

FIG. 3 is a top plan view of a lighting fixture showing our new design;

FIG. 4 is a right side elevation view of a lighting fixture showing our new design;

FIG. 5 is a left side elevation view of a lighting fixture showing our new design;

FIG. 6 is a rear view of the lighting fixture showing our new design;

FIG. 7 is a front view of the lighting fixture showing our new design; and,

FIG. 8 is an isometric view of an alternate embodiment of the lighting fixture according to our new design it being understood that this embodiment is identical to the first except for the omission of the electrical socket.

1 Claim, 4 Drawing Sheets

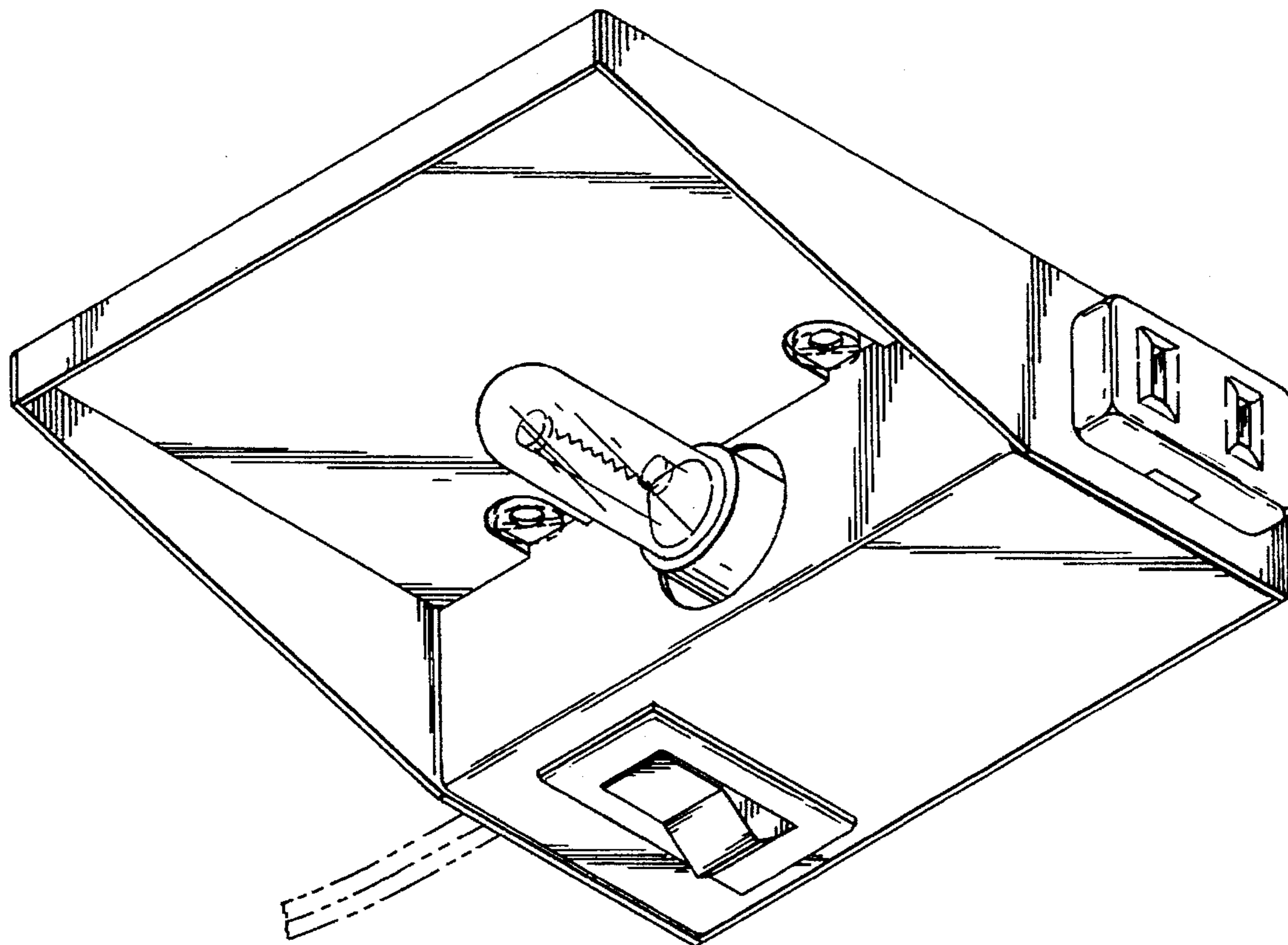


FIG. 1

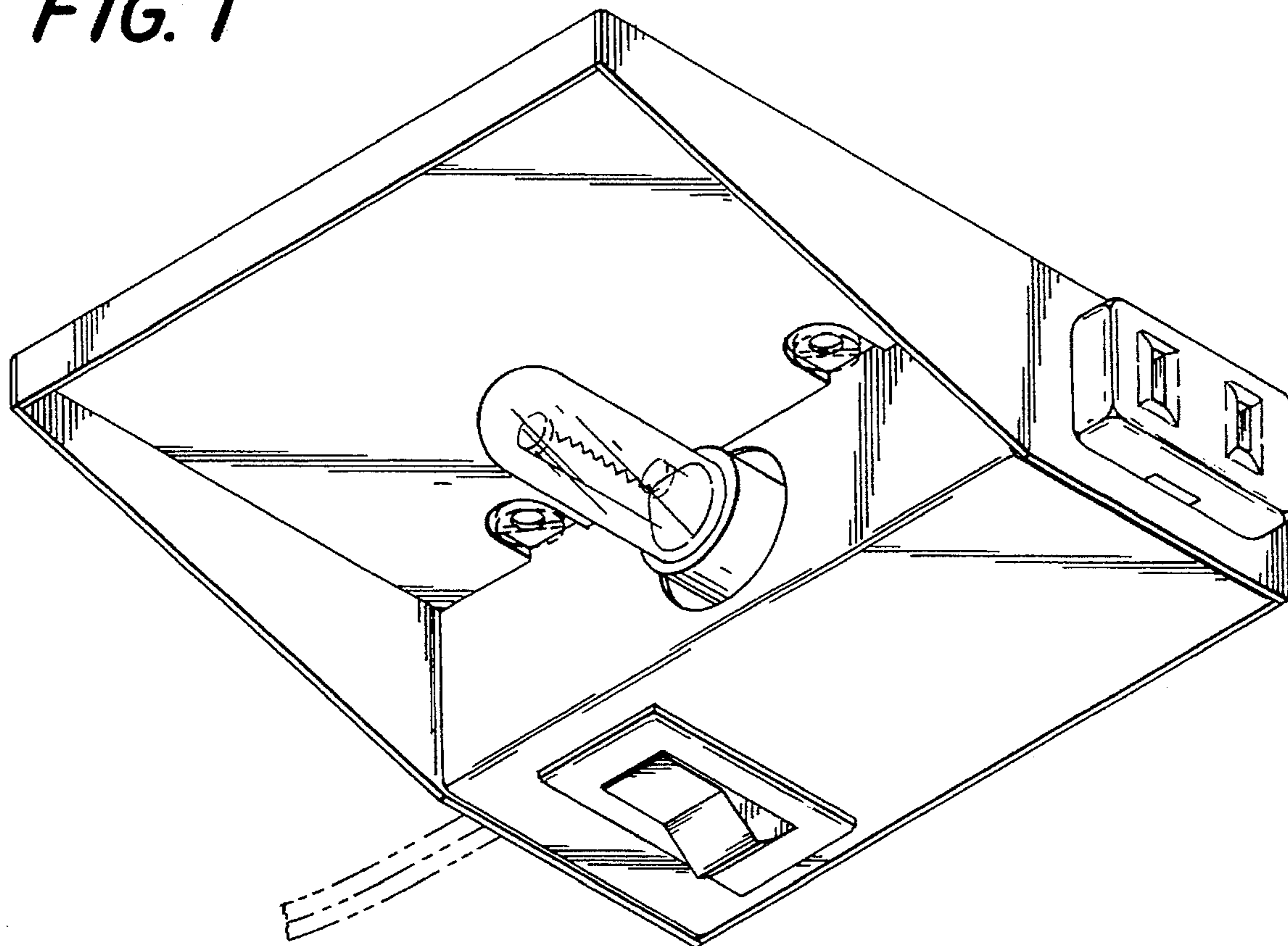


FIG. 2

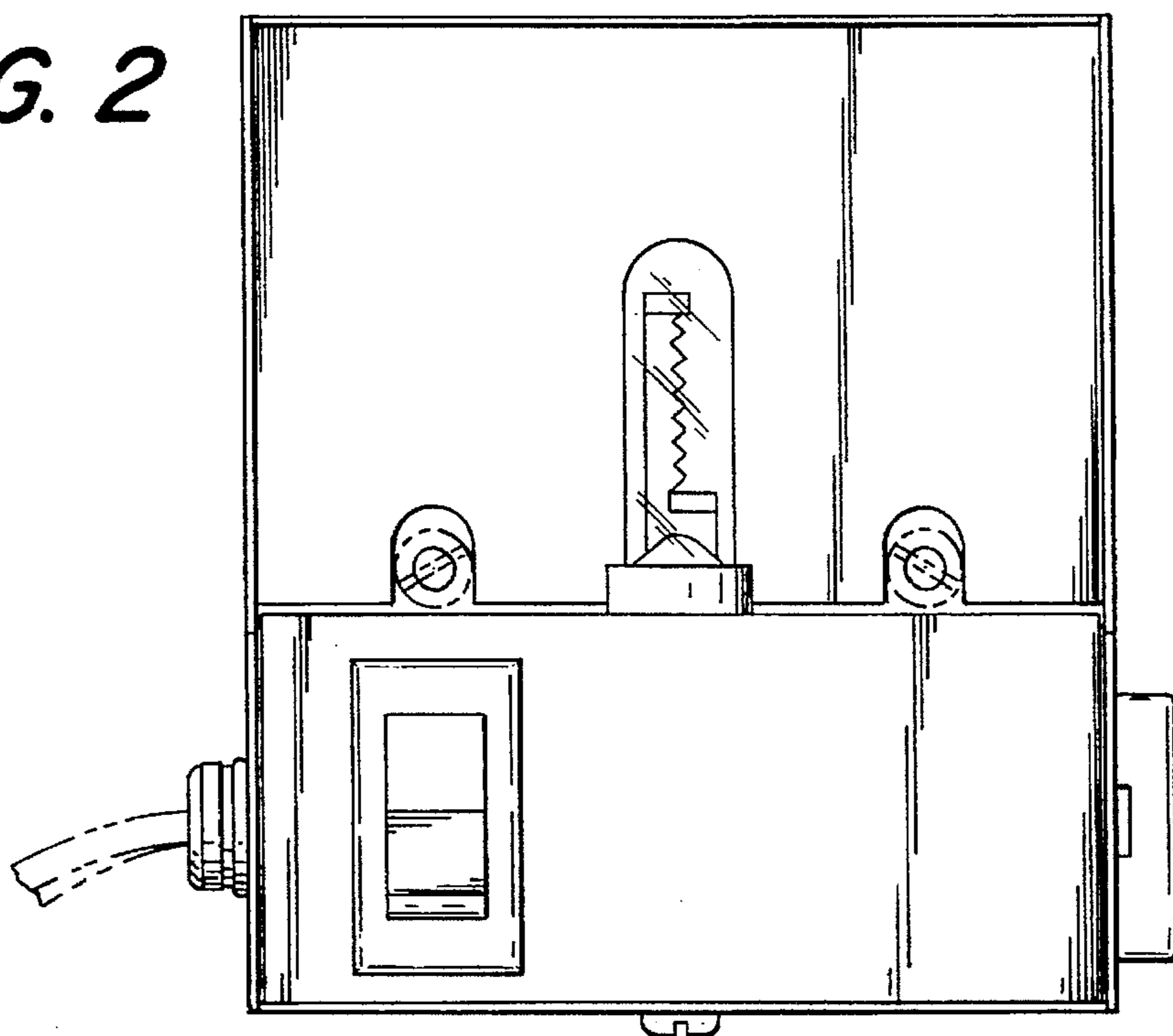


FIG. 3

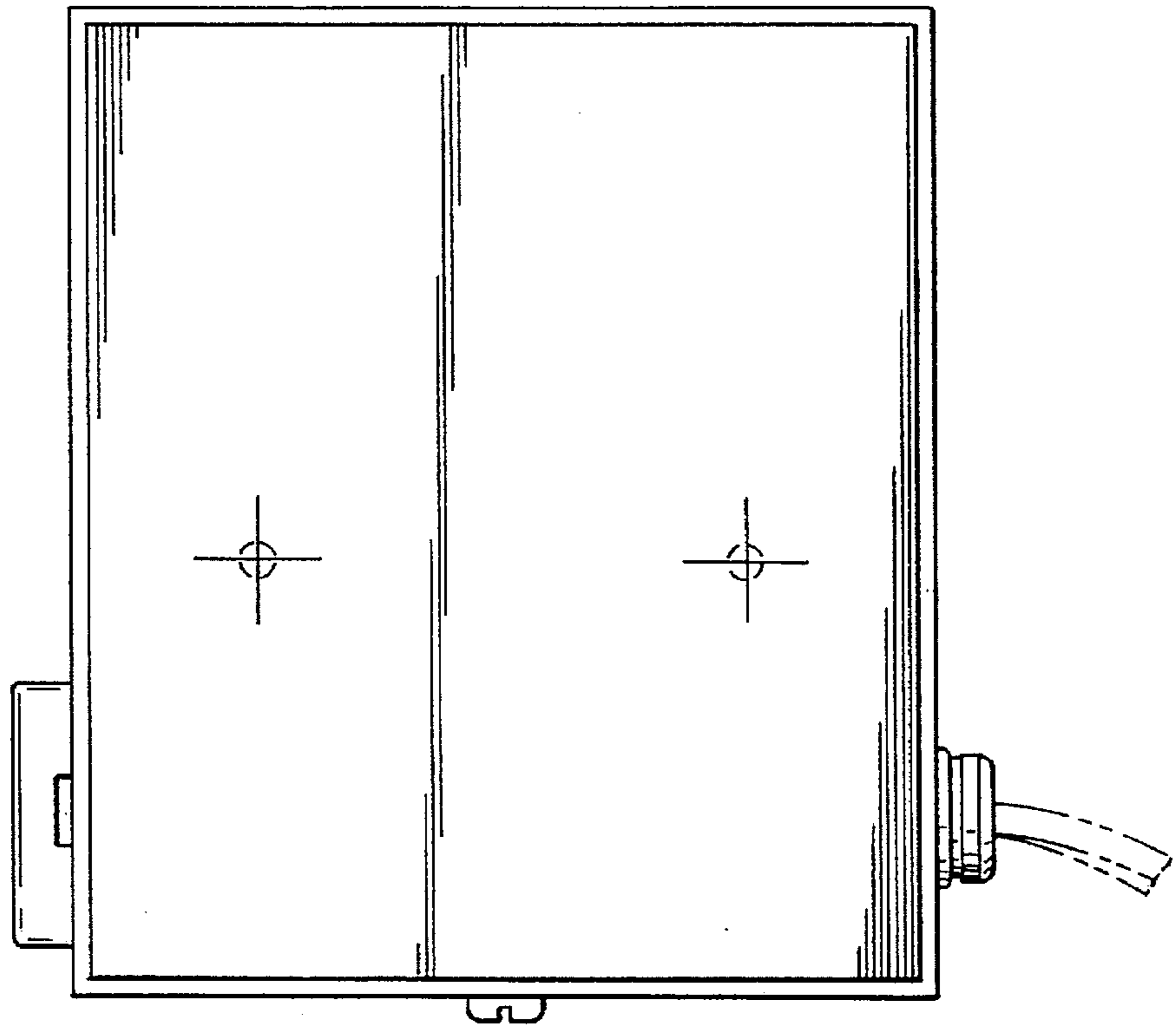


FIG. 5

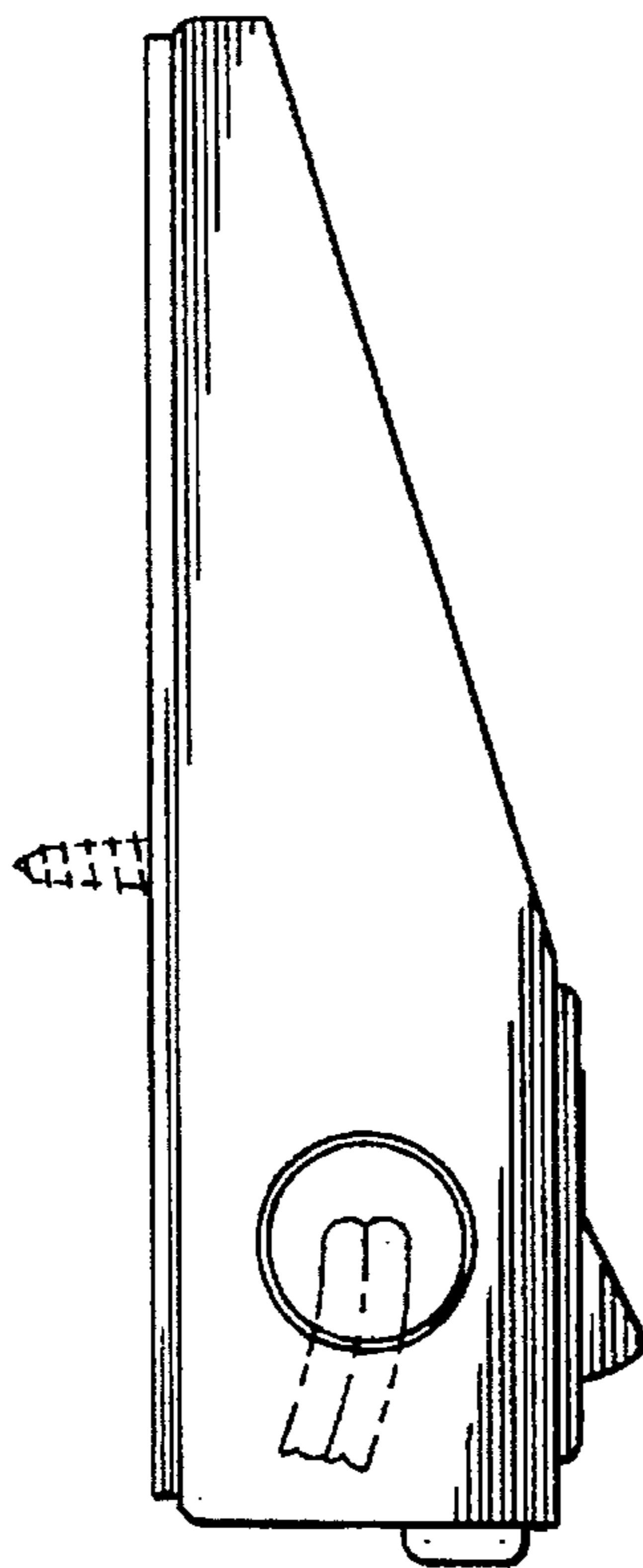


FIG. 4

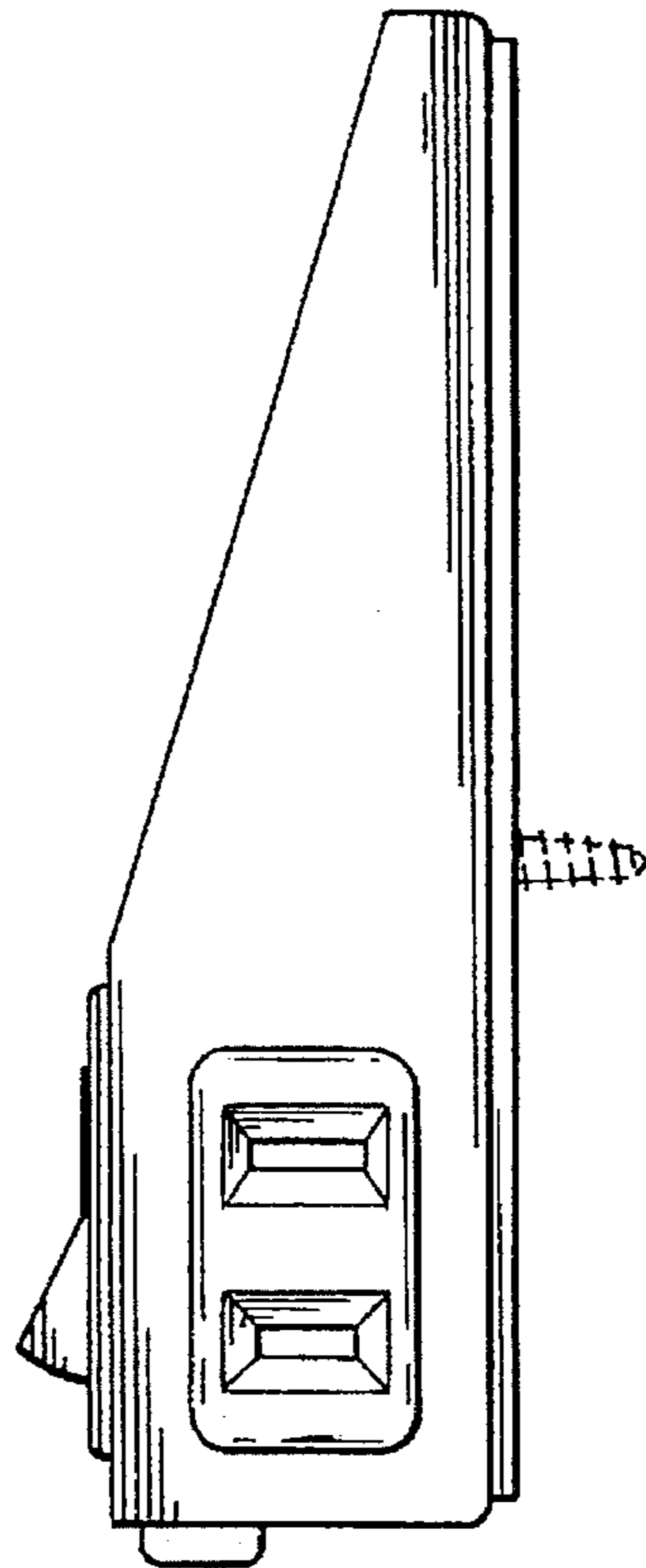


FIG. 6

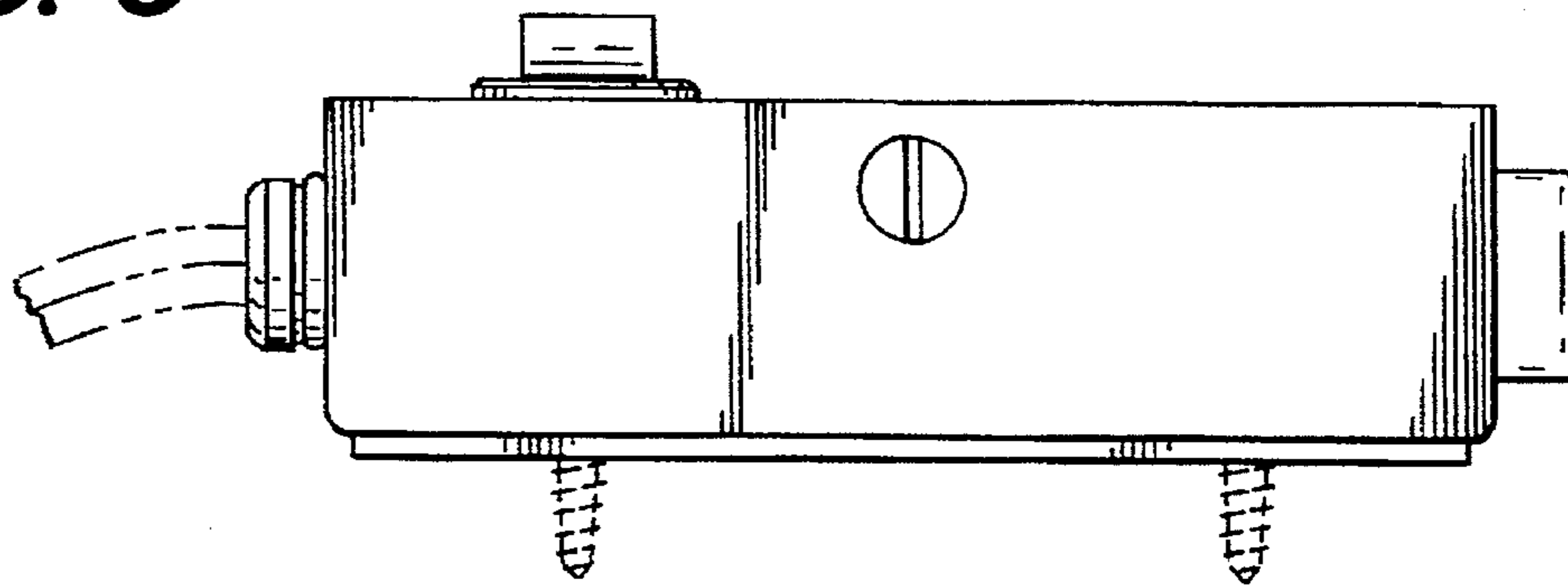


FIG. 7

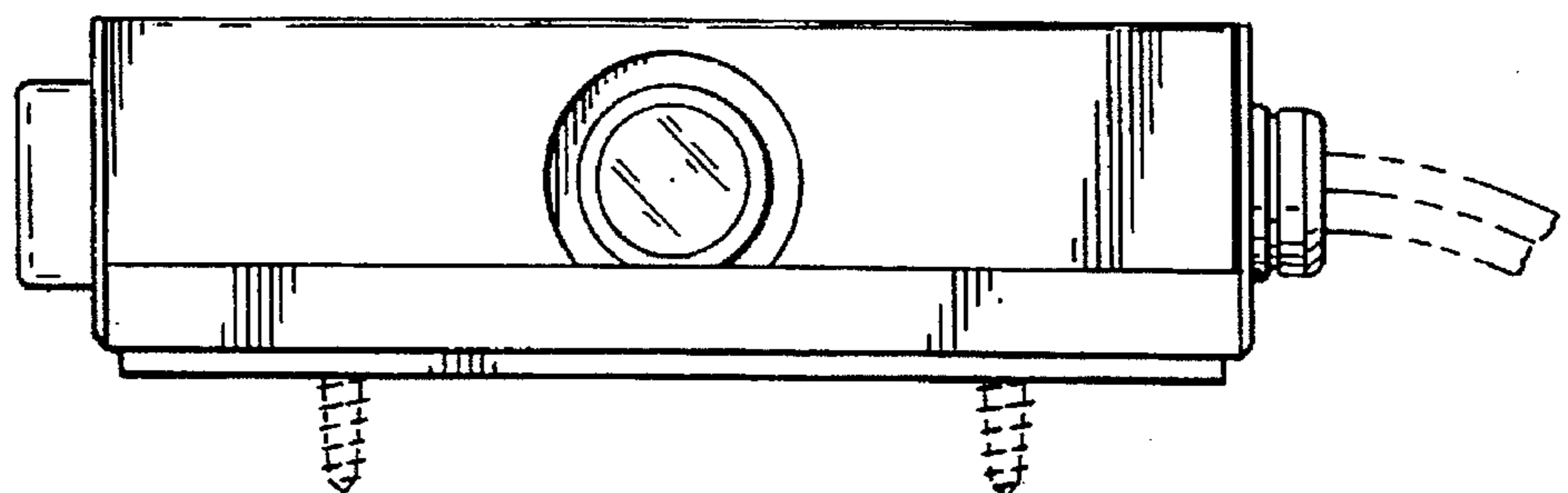


FIG. 8

