

US00D380849S

United States Patent [19]
Swanson

[11] **Patent Number: Des. 380,849**
[45] **Date of Patent: **Jul. 8, 1997**

[54] **COMBINATION KNOB AND DOUBLE PAN TORCHIERE LAMP, READING LIGHTS AND TABLE**

D. 369,425 4/1996 Swanson D26/63

[75] Inventor: **Dennis K. Swanson**, Woodland Hills, Calif.

Primary Examiner—Susan J. Lucas
Attorney, Agent, or Firm—Robbins, Berliner & Carson, LLP

[73] Assignee: **Lamps Plus, Inc.**, Chatsworth, Calif.

[**] Term: **14 Years**

[57] **CLAIM**

The ornamental design of a combination knob and double pan torchiere lamp, reading lights and table, as shown and described.

[21] Appl. No.: **49,784**

DESCRIPTION

[22] Filed: **Jan. 31, 1996**

[51] **LOC (6) Cl.** **26-05**

[52] **U.S. Cl.** **D26/63; D26/58**

[58] **Field of Search** D26/93, 102-112,
D26/61, 63, 65, 58; 362/269, 275, 285,
410-414, 418, 419, 427

FIG. 1 is a perspective view of the combination knob and double pan torchiere lamp, reading lights, and table in accordance with the present invention;
FIG. 2 is a front elevational view thereof;
FIG. 3 is a right side elevational view thereof;
FIG. 4 is a left side elevational view thereof;
FIG. 5 is an enlarged fragmentary right side view of the knob and double pan torchiere head, the lamp being fragmentarily shown for convenience of illustration;
FIG. 6 is a bottom view thereof; and,
FIG. 7 is a partial perspective view illustrating the knob and double pan of the torchiere light in more detail.

[56] **References Cited**

U.S. PATENT DOCUMENTS

- D. 302,332 7/1989 Clyde-Mason D26/110
- D. 348,113 6/1994 Swanson D26/63
- D. 368,548 4/1996 Lee D26/106

1 Claim, 3 Drawing Sheets

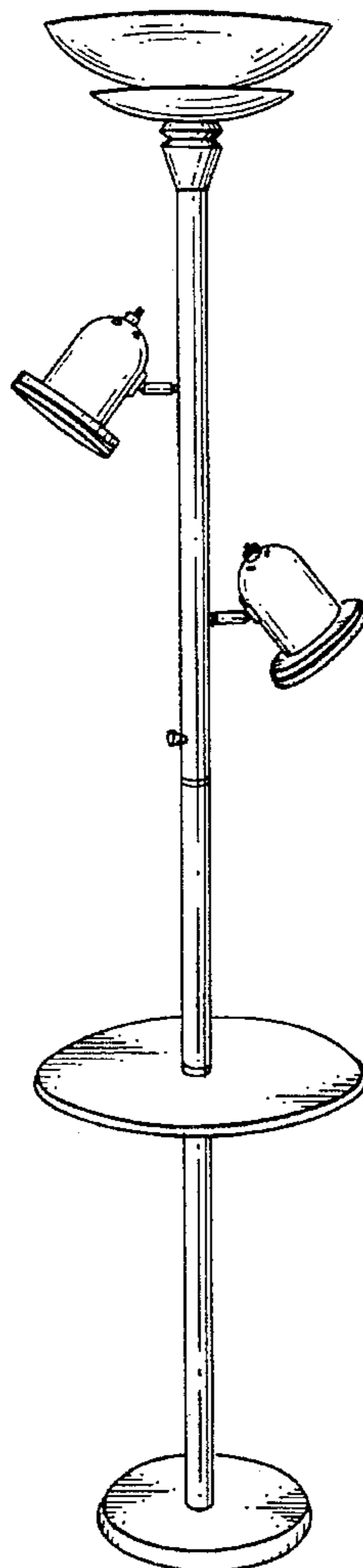


FIG. 1

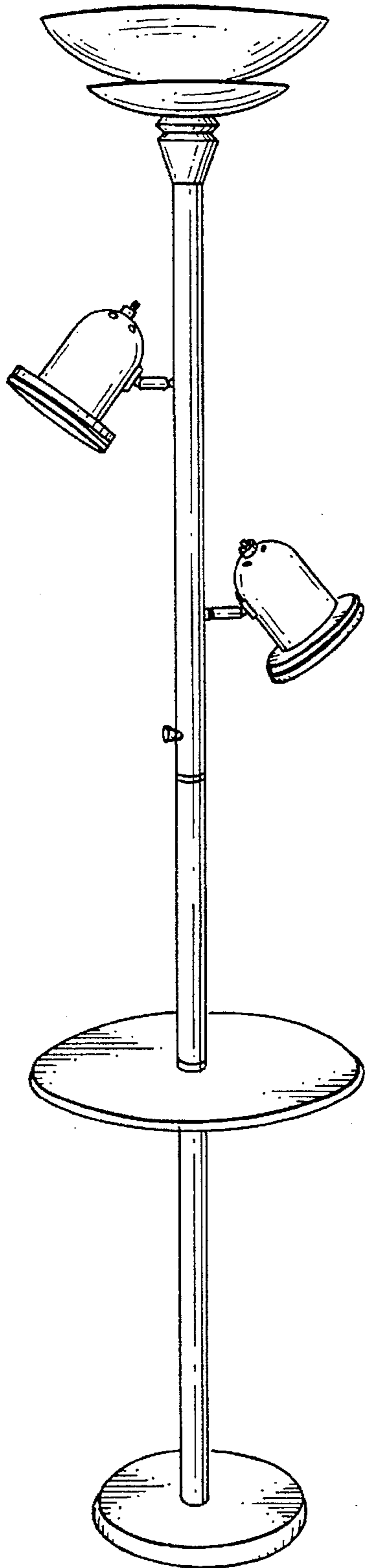


FIG. 2

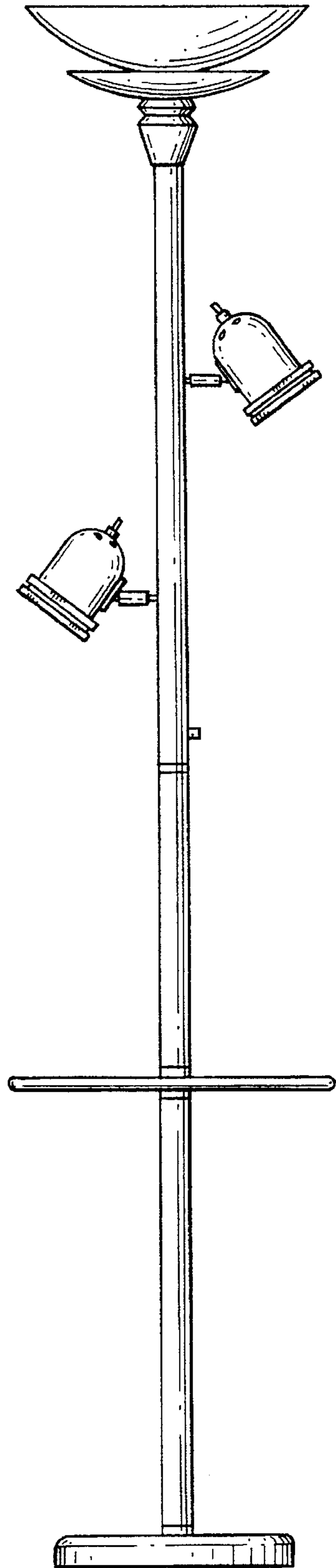


FIG. 3

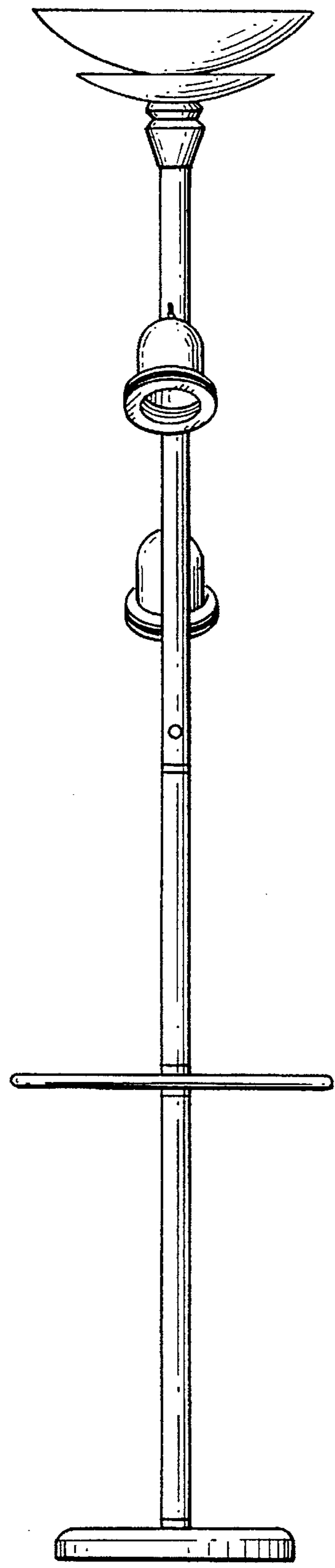
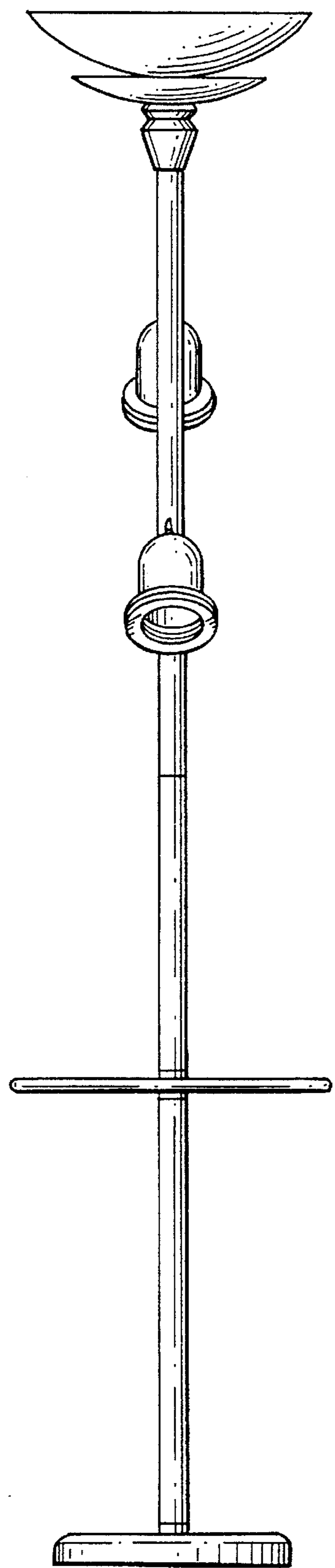


FIG. 4



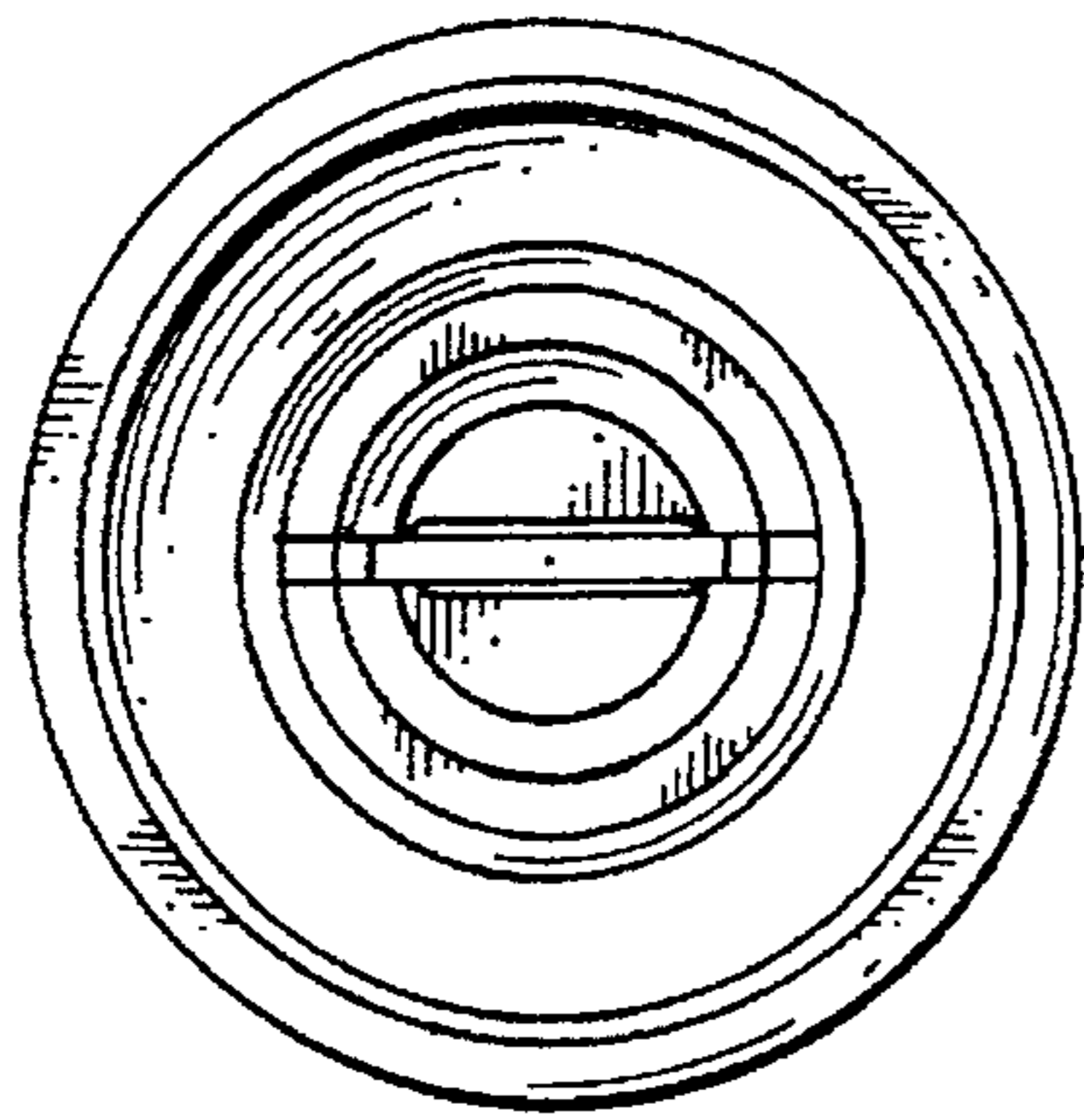


FIG. 5

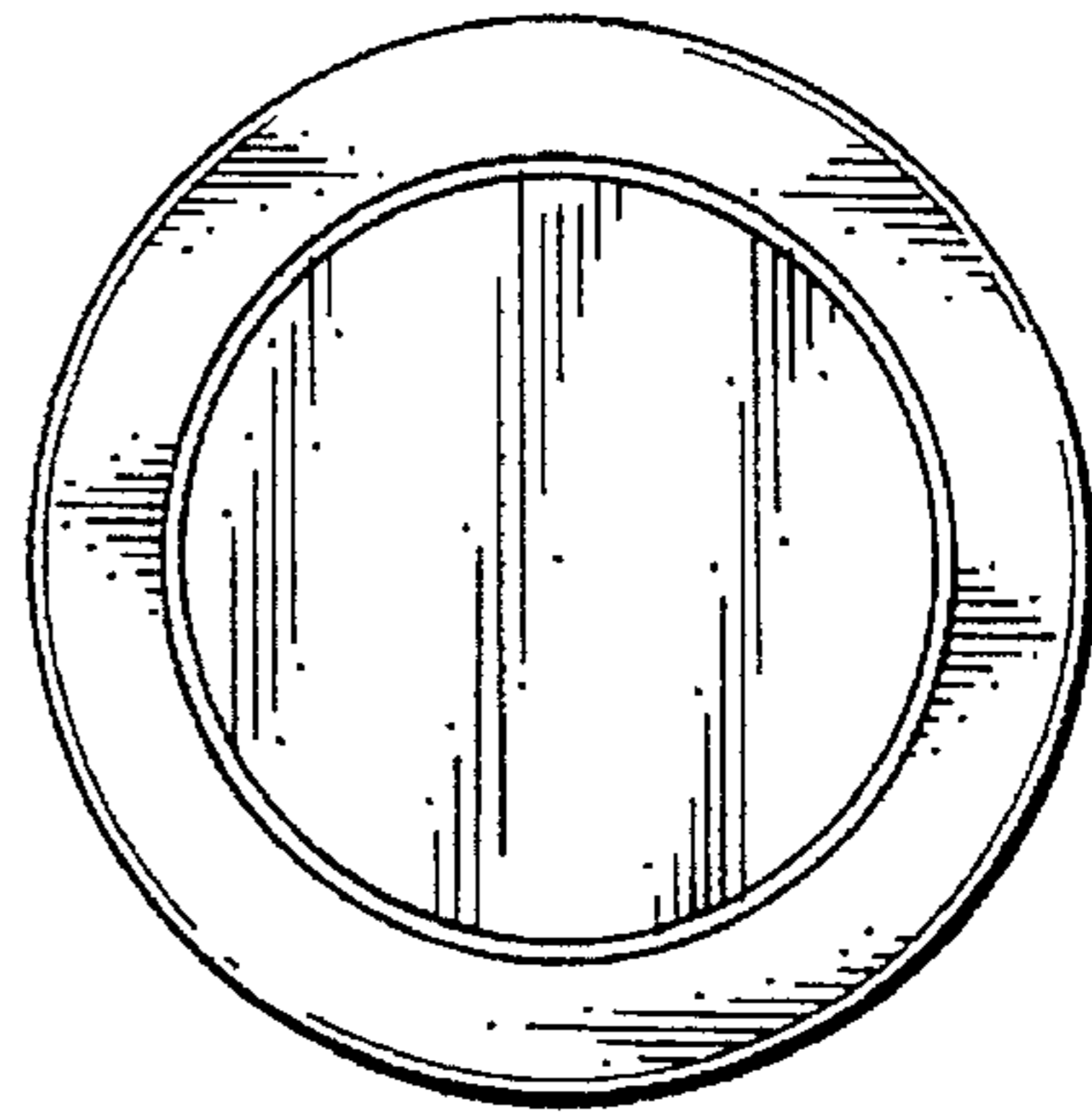


FIG. 6

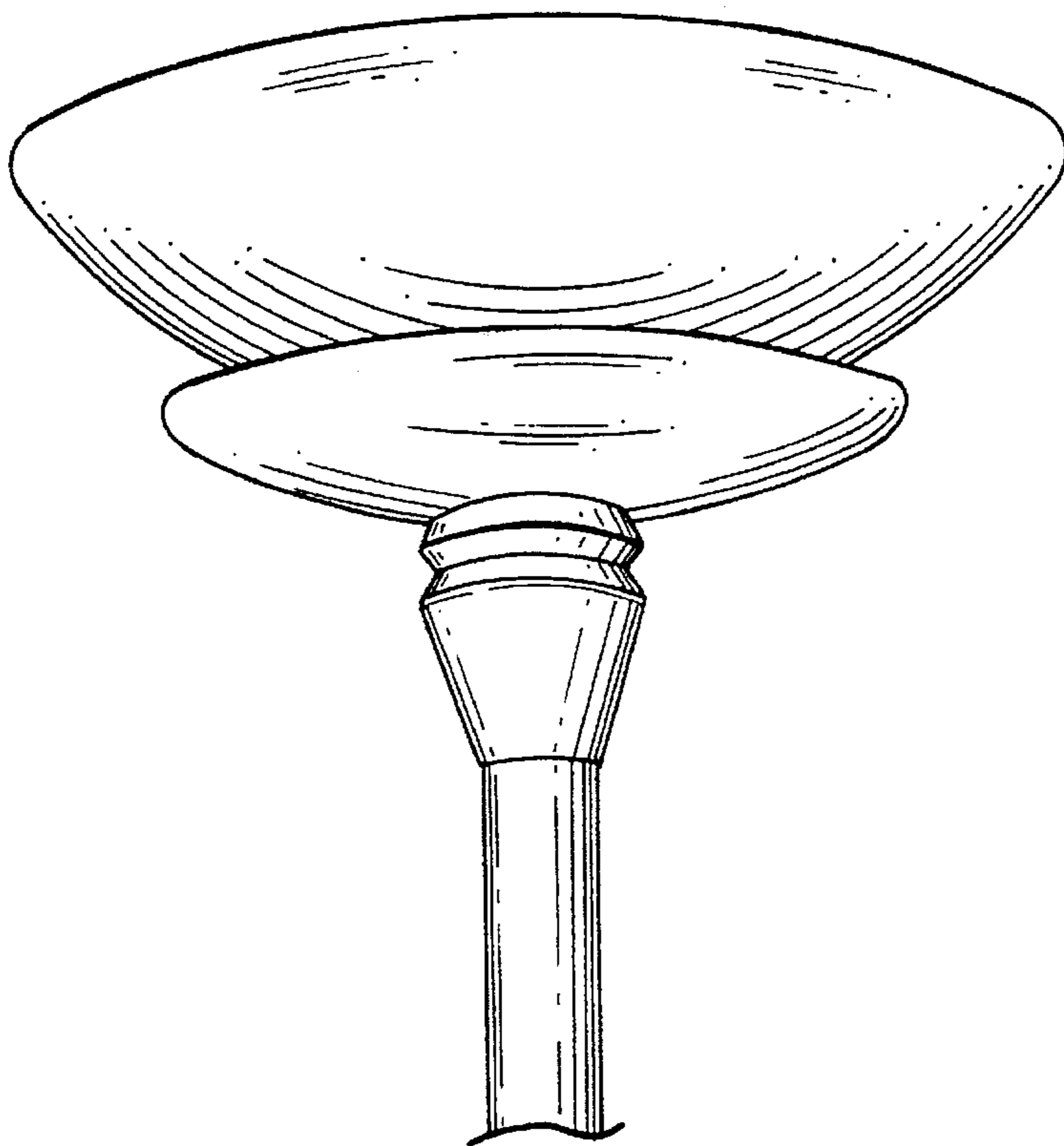


FIG. 7