



US00D380846S

United States Patent [19] Kung

[11] Patent Number: **Des. 380,846**
[45] Date of Patent: ****Jul. 8, 1997**

[54] FLASHLIGHT

[76] Inventor: **Kenneth Kung**, 728-730 Nathan Road,
11/F, Kowloon, Hong Kong

[**] Term: **14 Years**

[21] Appl. No.: **39,912**

[22] Filed: **Jun. 7, 1995**

[51] LOC (6) Cl. **26-02**

[52] U.S. Cl. **D26/49**

[58] Field of Search D26/37, 50; 362/157,
362/158, 183, 184, 185, 186, 188, 189,
190, 191, 196, 197, 198, 200, 202, 205,
206, 208

[56] **References Cited**

U.S. PATENT DOCUMENTS

- D. 312,138 11/1990 Burns D26/49
- D. 336,965 6/1993 Yau D26/49
- D. 336,966 6/1993 Yau D26/49

- D. 349,354 8/1994 Yau D26/49
- D. 356,651 3/1995 Stephen D26/49
- D. 370,989 6/1996 Garrity D26/49
- 2,166,682 7/1939 Graubner 240/10.6
- 2,299,035 10/1942 Rothenberg et al. D26/49
- 3,017,502 1/1962 Dent 240/10.68
- 3,076,891 2/1963 Moore D26/49

Primary Examiner—Marcus A. Jackson
Attorney, Agent, or Firm—John L. Gray

[57] **CLAIM**

The ornamental design for a flashlight, as shown and described.

DESCRIPTION

FIG. 1 is a top view of my flashlight;
FIG. 2 is a left side view thereof;
FIG. 3 is a front end view thereof;
FIG. 4 is a bottom view thereof; and,
FIG. 5 is a rear end thereof.

1 Claim, 2 Drawing Sheets

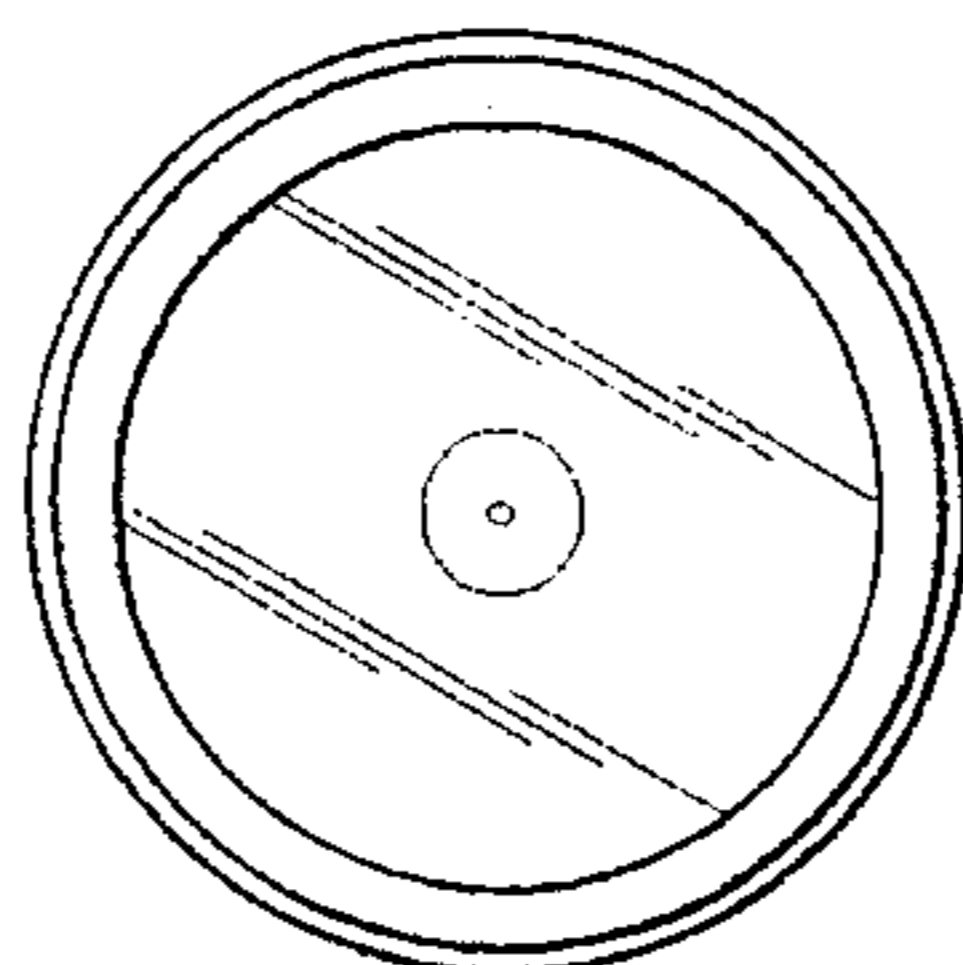
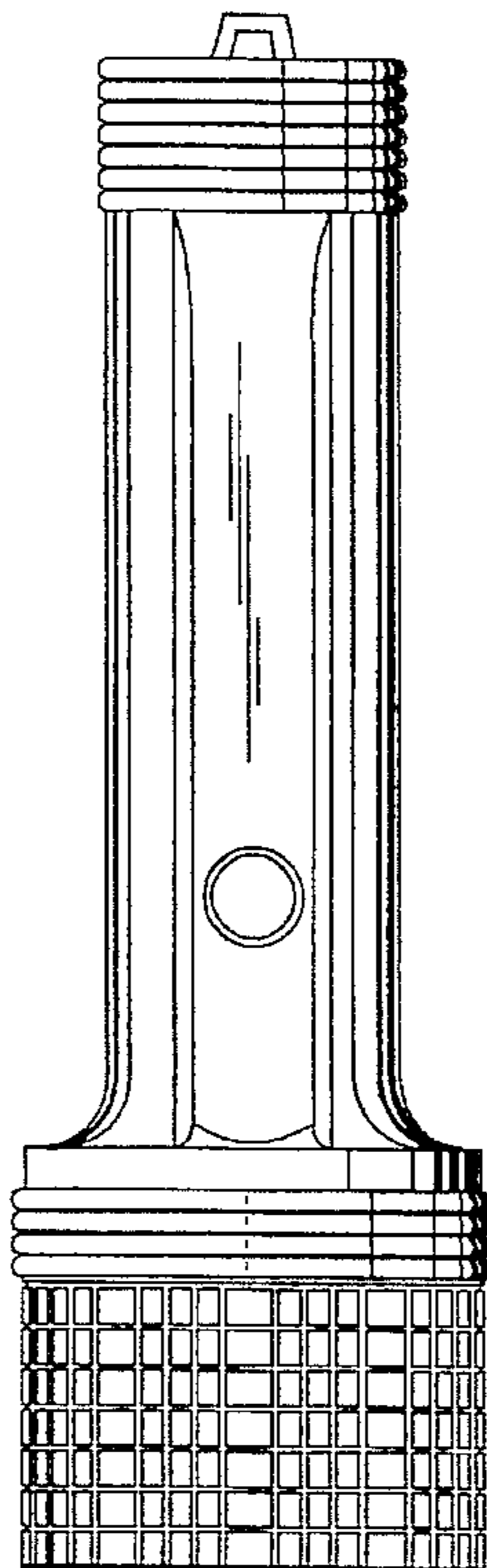


FIG. 1

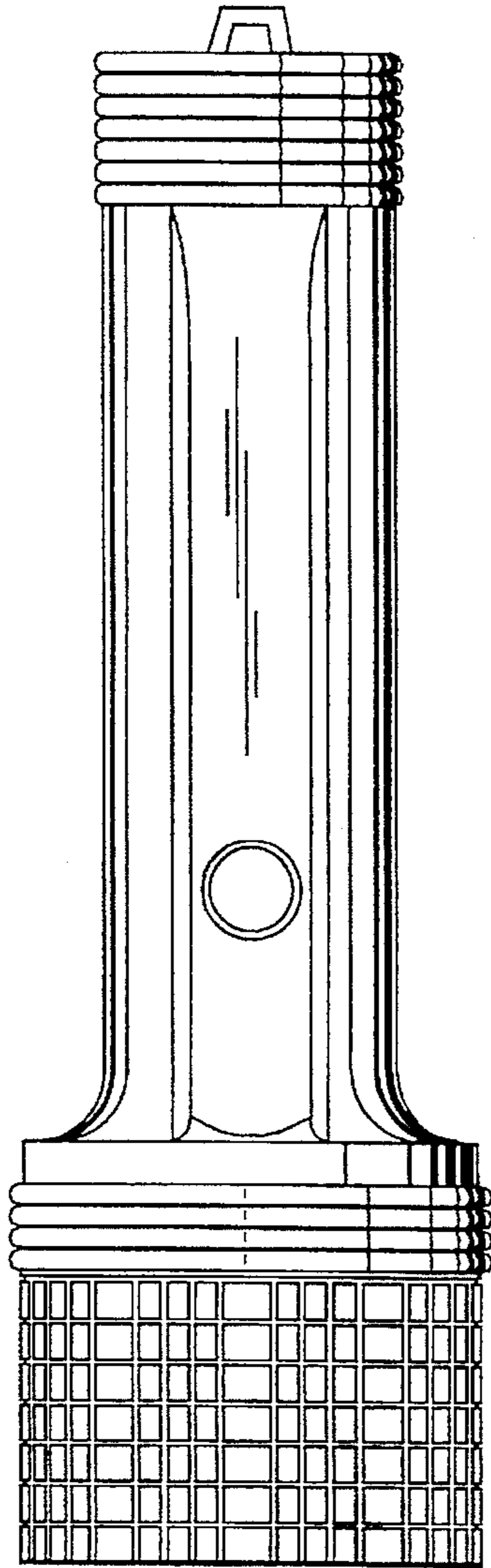


FIG. 2

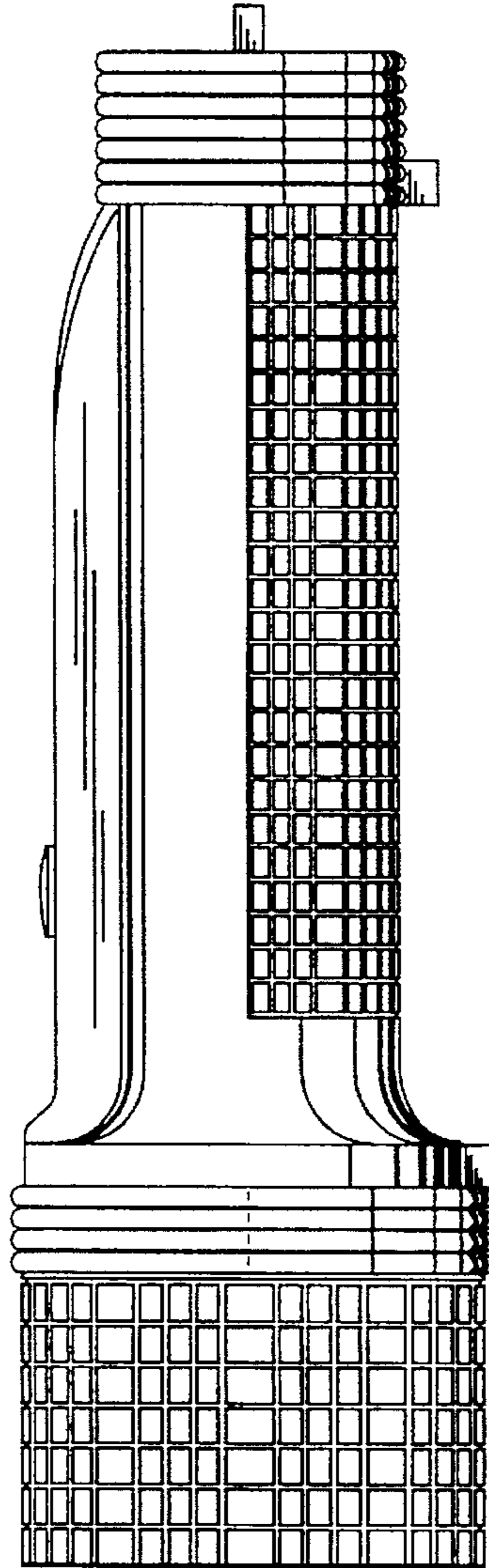
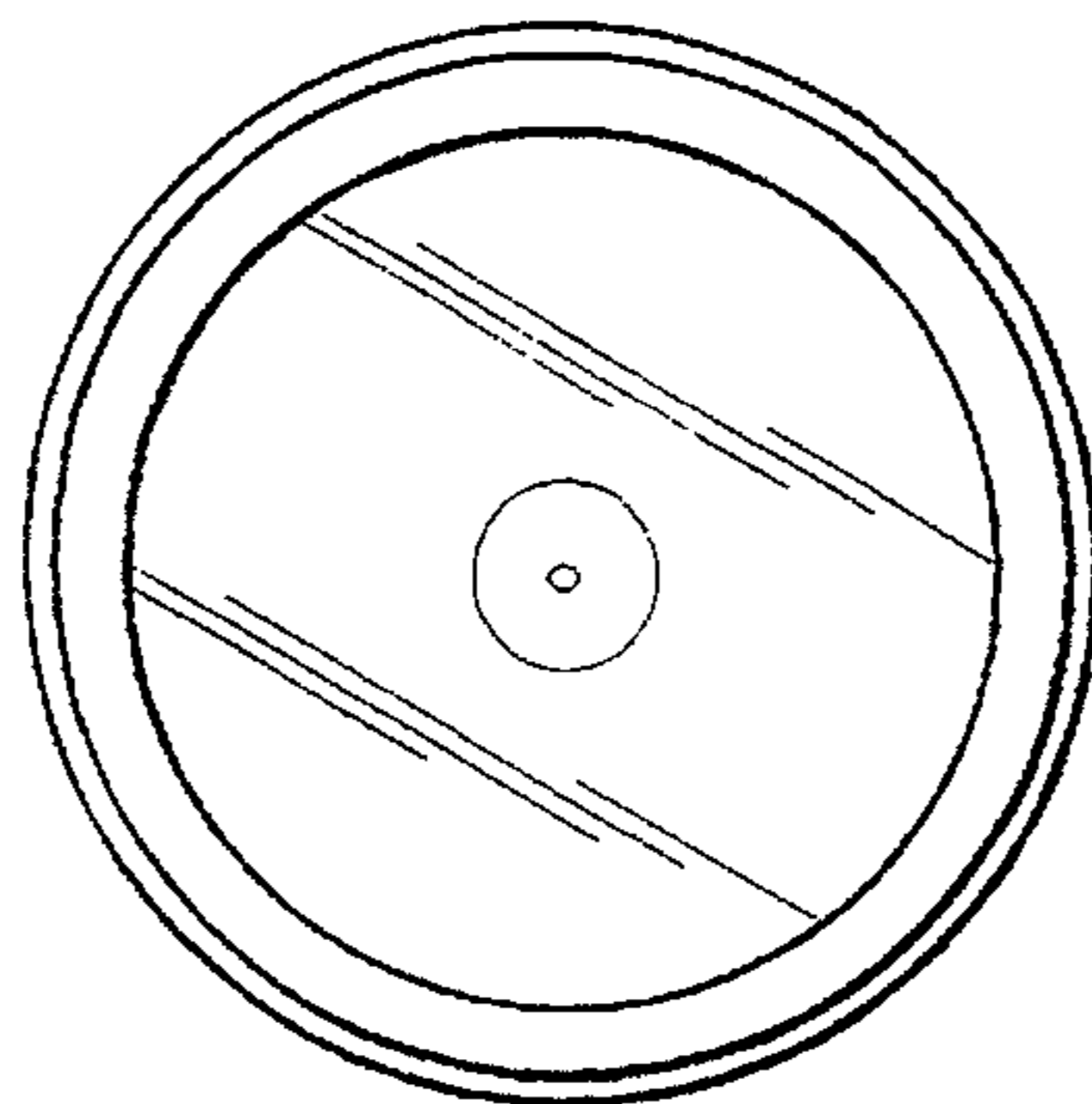


FIG. 3



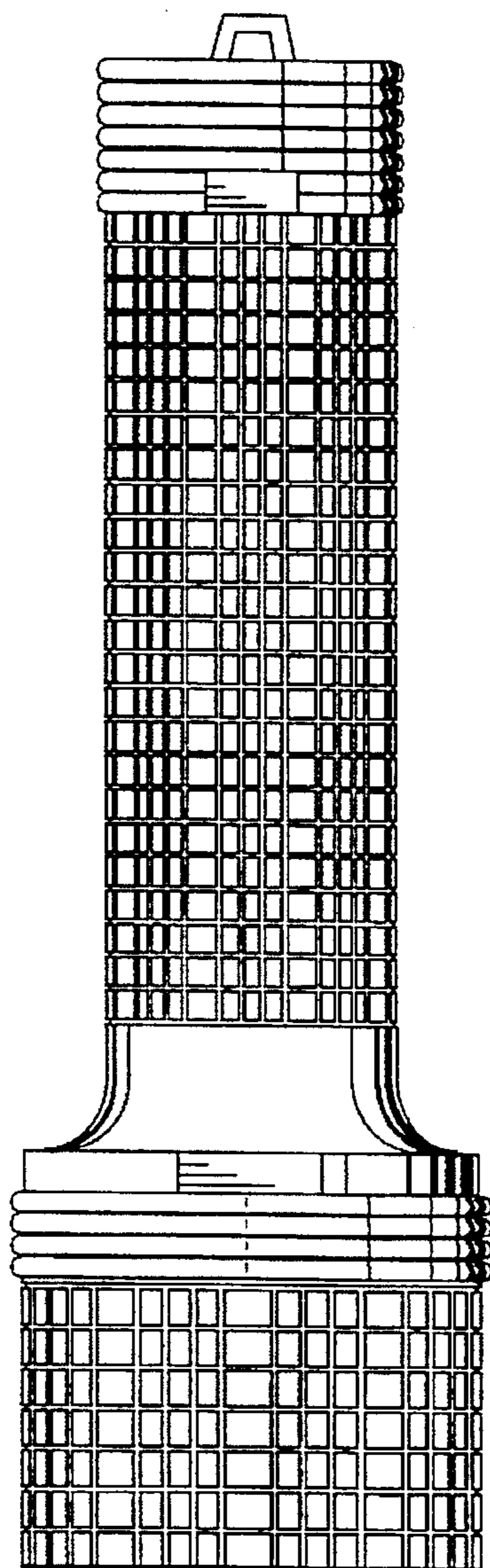


FIG. 4

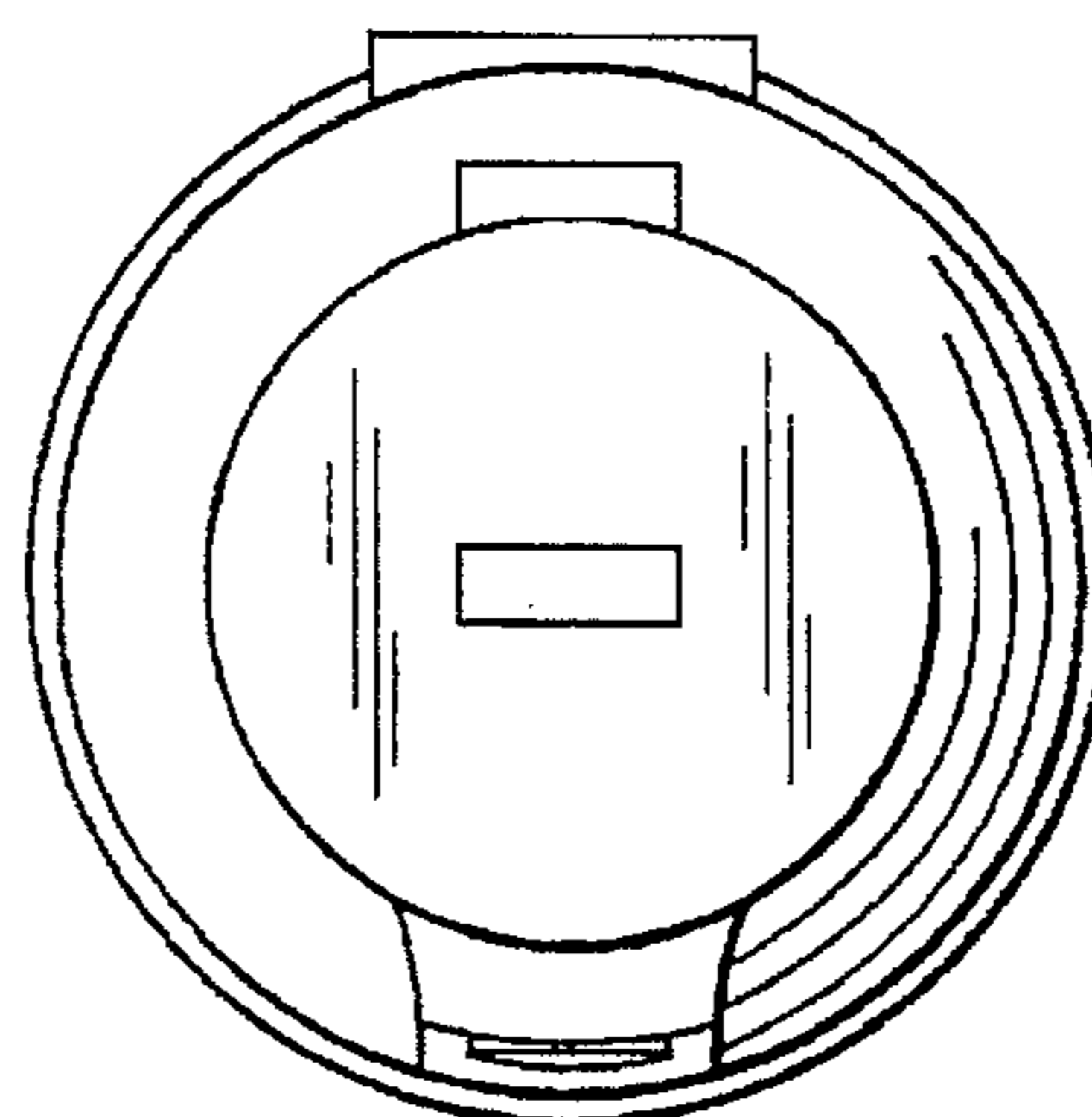


FIG. 5