



US00D380837S

United States Patent [19]

Pearson et al.

[11] Patent Number: **Des. 380,837**

[45] Date of Patent: ****Jul. 8, 1997**

[54] **PREGNANCY TEST RESULT READER**

[75] Inventors: **Michael Thomas Pearson; Kishen Gohil**, both of Surrey, Great Britain

[73] Assignee: **Unipath Limited**, Hampshire, United Kingdom

[**] Term: **14 Years**

[21] Appl. No.: **36,578**

[22] Filed: **Mar. 22, 1995**

[30] Foreign Application Priority Data

Sep. 23, 1994 [GB] United Kingdom 2042112

[51] LOC (6) Cl. **24-01**

[52] U.S. Cl. **D24/223**

[58] Field of Search D24/223, 224, D24/225, 185, 232; D10/81; 422/61, 62, 50, 68.1; 435/810, 806

[56] References Cited

U.S. PATENT DOCUMENTS

D. 319,103 8/1991 Chiu D24/223

D. 328,135 7/1992 Fan et al. D24/223

D. 338,275 8/1993 Fischer et al. D24/223

D. 359,125 6/1995 Livingston D24/223

Primary Examiner—Stella Reid
Attorney, Agent, or Firm—Cushman Darby & Cushman IP Group of Pillsbury Madison & Sutro LLP

[57] CLAIM

The ornamental design for a pregnancy test result reader, as shown and described.

DESCRIPTION

FIG. 1 is a front perspective view from above and one side, showing the pregnancy test result reader with lid opened;

FIG. 2 is a view of the other side;

FIG. 3 is a rear view; and,

FIG. 4 is a bottom plan view.

1 Claim, 2 Drawing Sheets

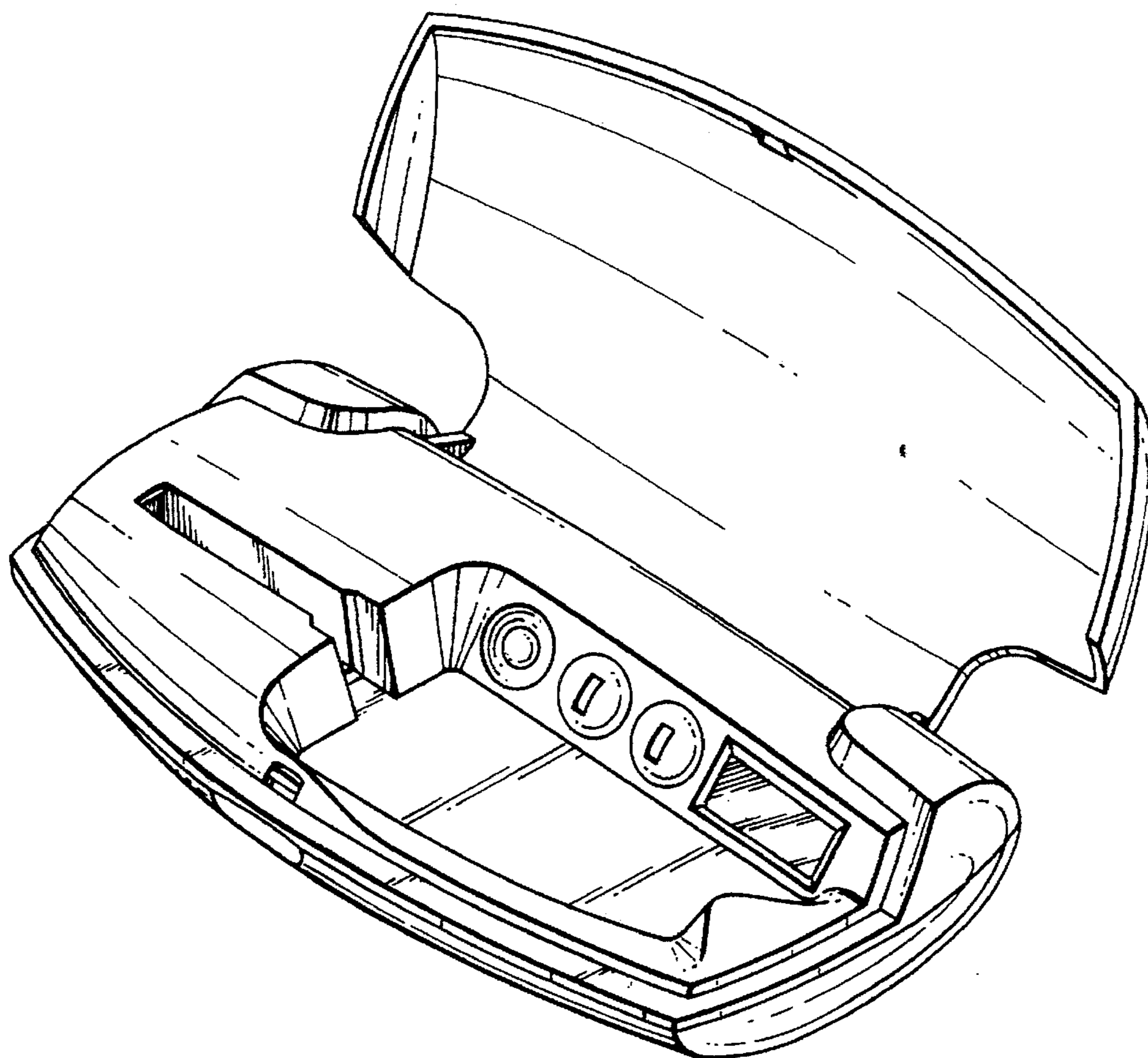


Fig.1.

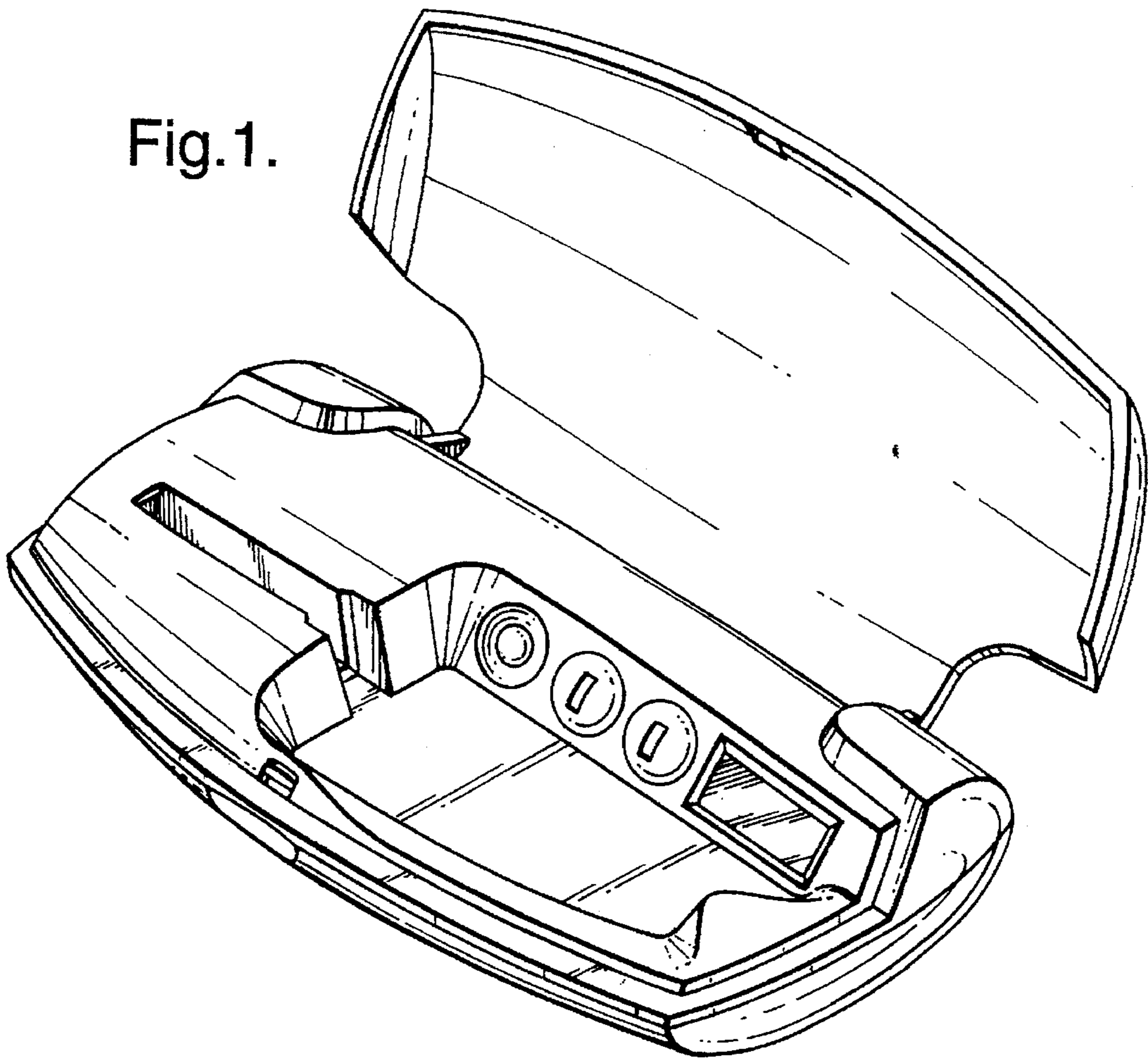


Fig.2.

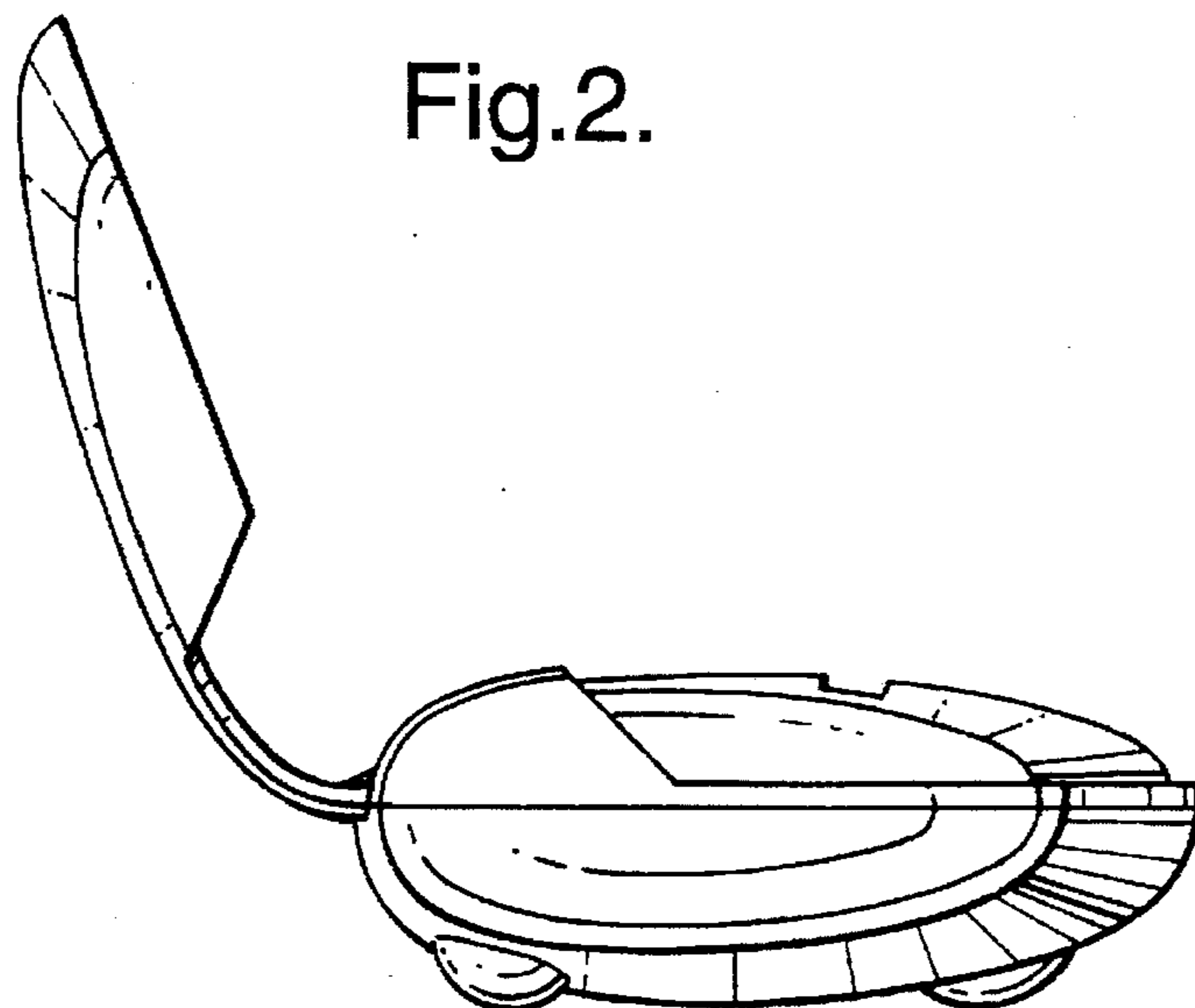


Fig.3.

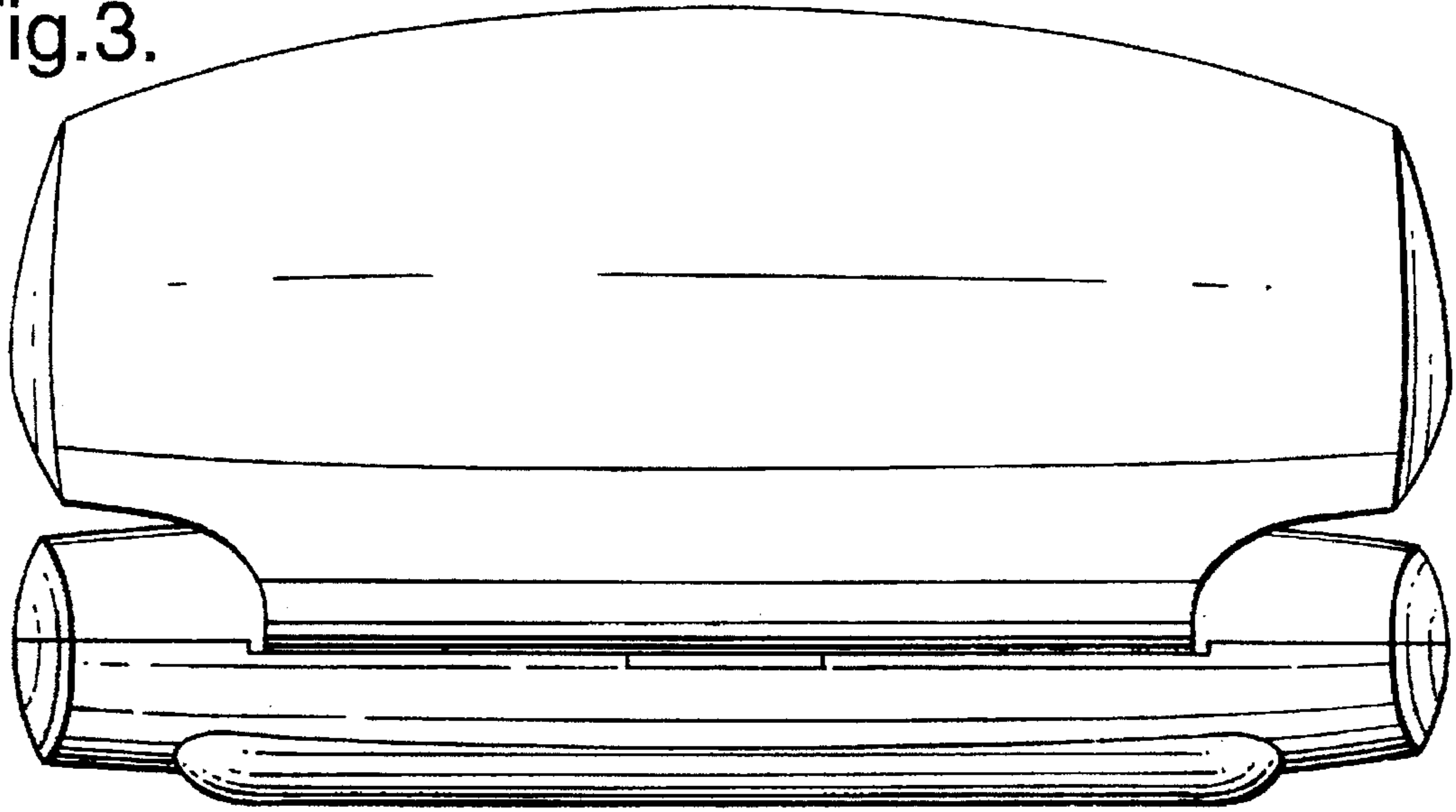


Fig.4.

