



US00D380832S

United States Patent [19]

Isshiki et al.

[11] Patent Number: **Des. 380,832**

[45] Date of Patent: ****Jul. 8, 1997**

[54] RADIO FREQUENCY COIL FOR MAGNETIC RESONANCE IMAGING APPARATUS

[75] Inventors: **Masao Isshiki**, Yokohama; **Yutaka Kato**, Tochigi-ken, both of Japan

[73] Assignee: **Kabushiki Kaisha Toshiba**, Kanagama-ken, Japan

[**] Term: **14 Years**

[21] Appl. No.: **25,993**

[22] Filed: **Aug. 4, 1994**

[30] Foreign Application Priority Data

Feb. 28, 1994 [JP] Japan 6-5011

[51] LOC (6) Cl. **24-99**

[52] U.S. Cl. **D24/158**

[58] Field of Search D24/158; 324/318, 324/322; 128/653.5, 653.2

[56] References Cited

U.S. PATENT DOCUMENTS

- D. 320,660 10/1991 Foreman et al. D24/158
- 5,277,183 1/1994 Vij 324/318 X
- 5,363,845 11/1994 Chowdhury et al. 128/653.5

FOREIGN PATENT DOCUMENTS

- 815713 8/1991 Japan .
- 846898 9/1992 Japan .

Primary Examiner—Stella Reid

[57] CLAIM

The ornamental design for a radio frequency coil for magnetic resonance imaging apparatus, as shown and described.

DESCRIPTION

FIG. 1 is a top, front and right side perspective view of a radio frequency coil for magnetic resonance imaging apparatus showing my new design;

FIG. 2 is a front elevational view thereof;

FIG. 3 is a rear elevational view thereof;

FIG. 4 is a right side elevational view thereof;

FIG. 5 is a left side elevational view thereof;

FIG. 6 is a top plan view thereof

FIG. 7 is a bottom plan view thereof;

FIG. 8 is a top, front and right side perspective view thereof in exploded condition; and,

FIG. 9 is a top, front and right side perspective view thereof in use condition, the broken line showing is for illustrative purposes only and forms no part of the claimed design.

1 Claim, 4 Drawing Sheets

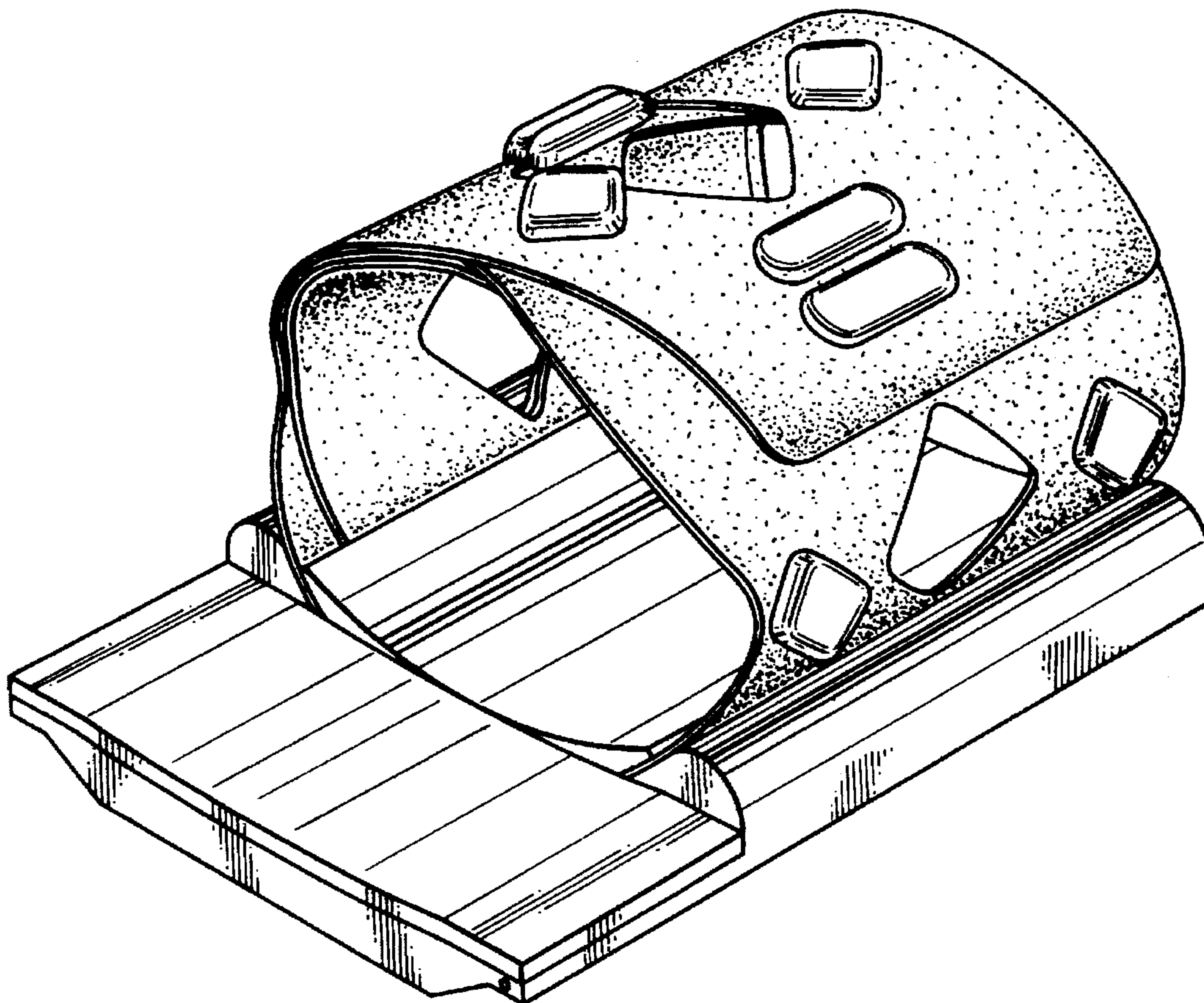


FIG. 1

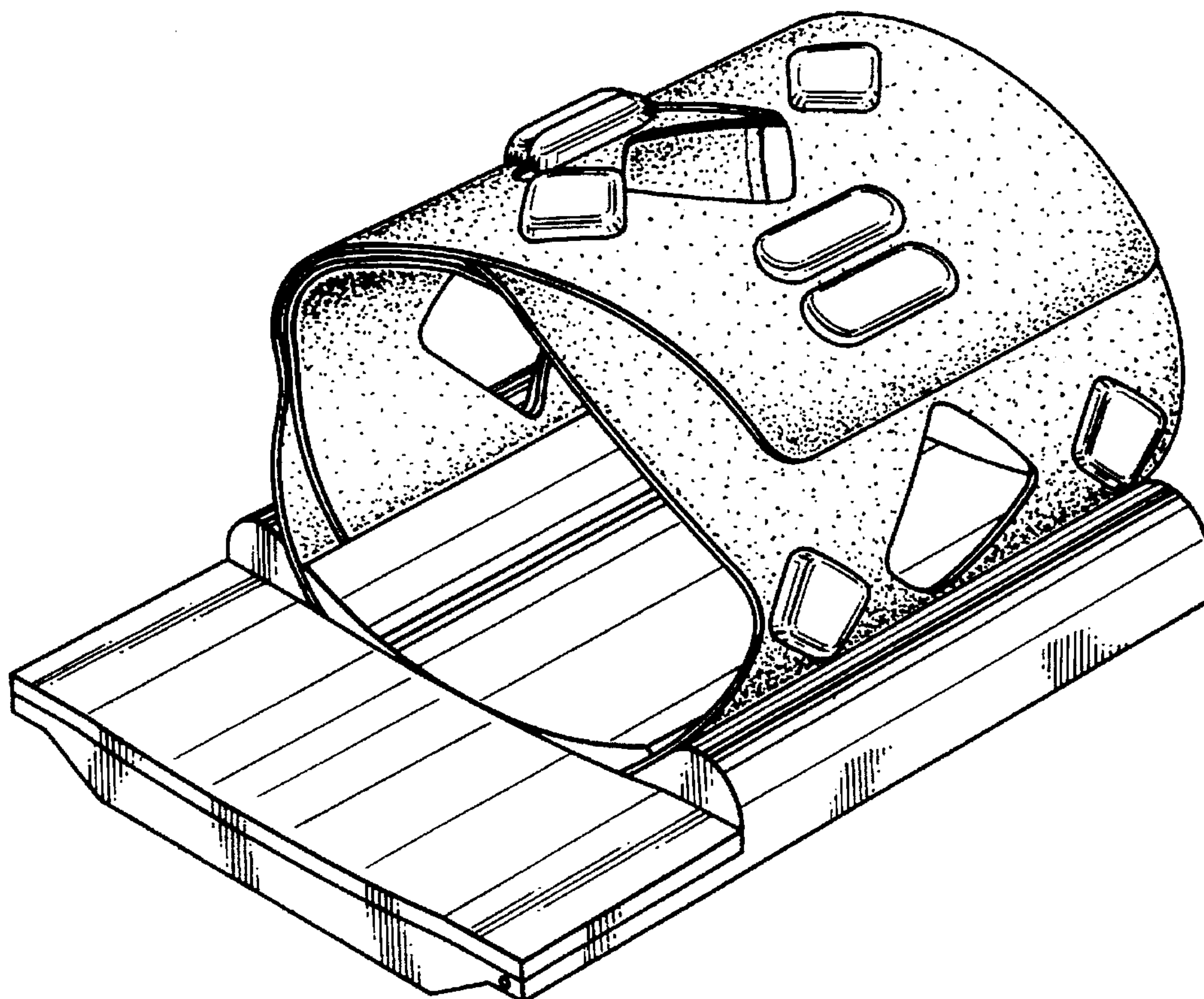


FIG. 2

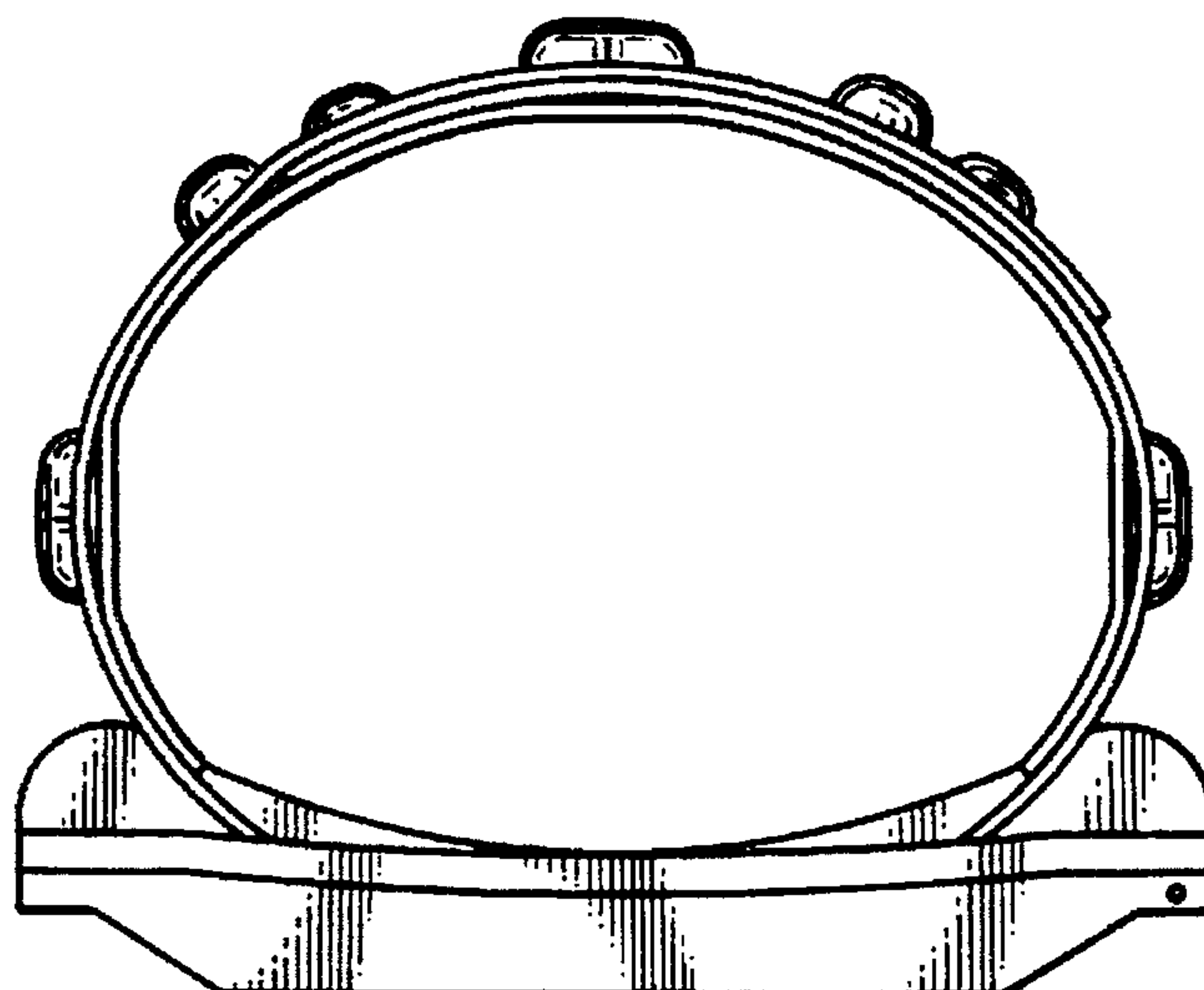


FIG.3

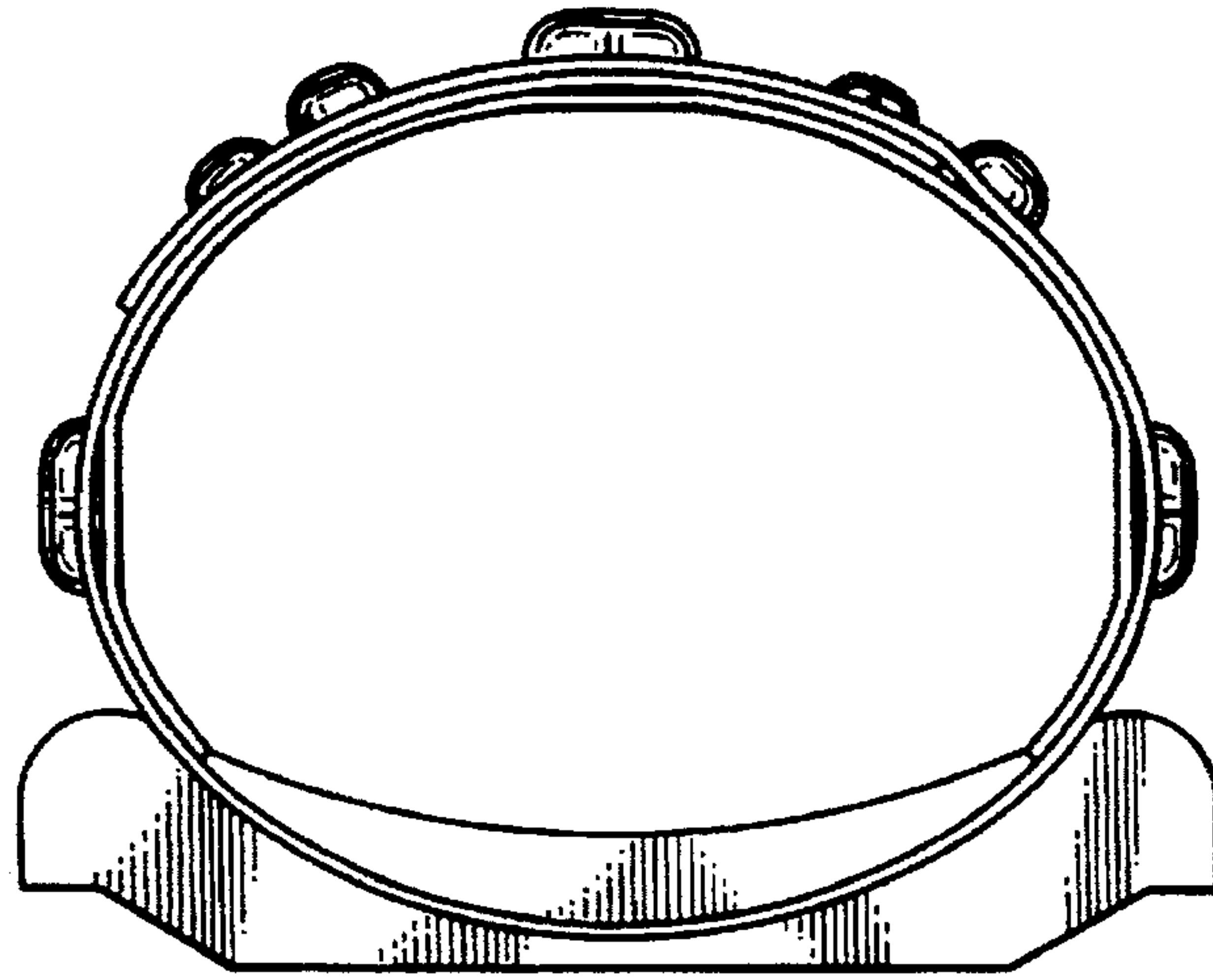


FIG.4

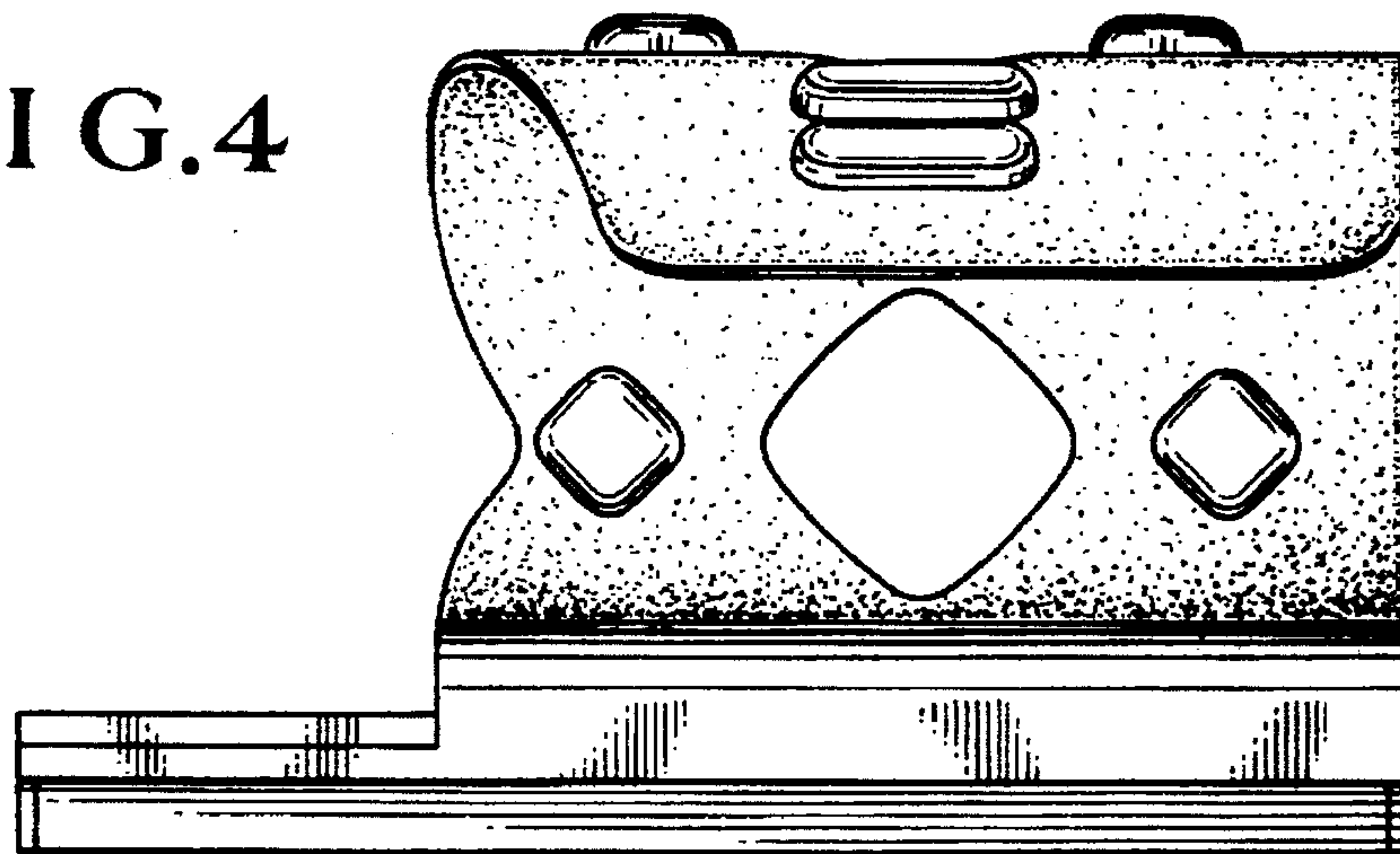


FIG.5

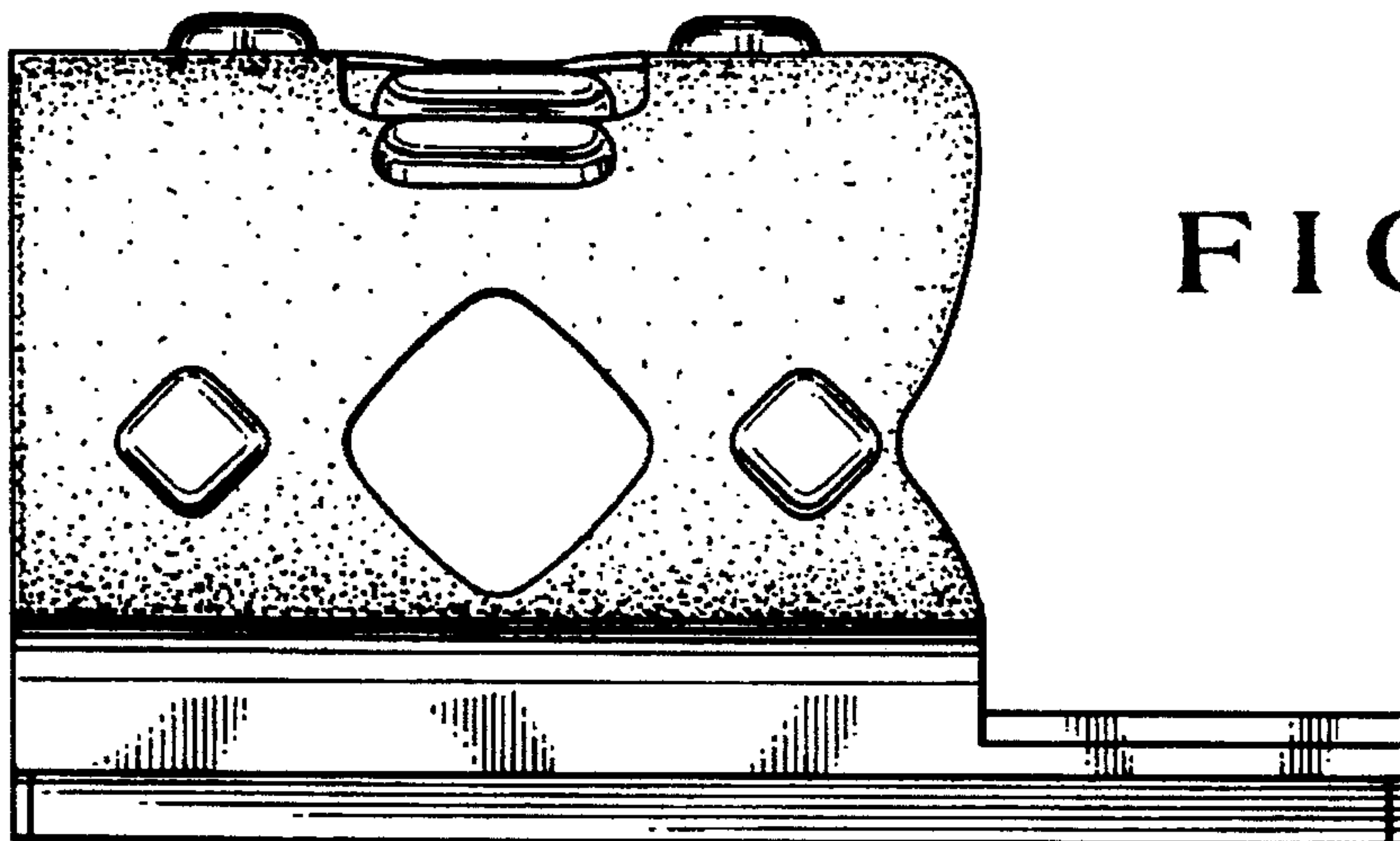


FIG. 7

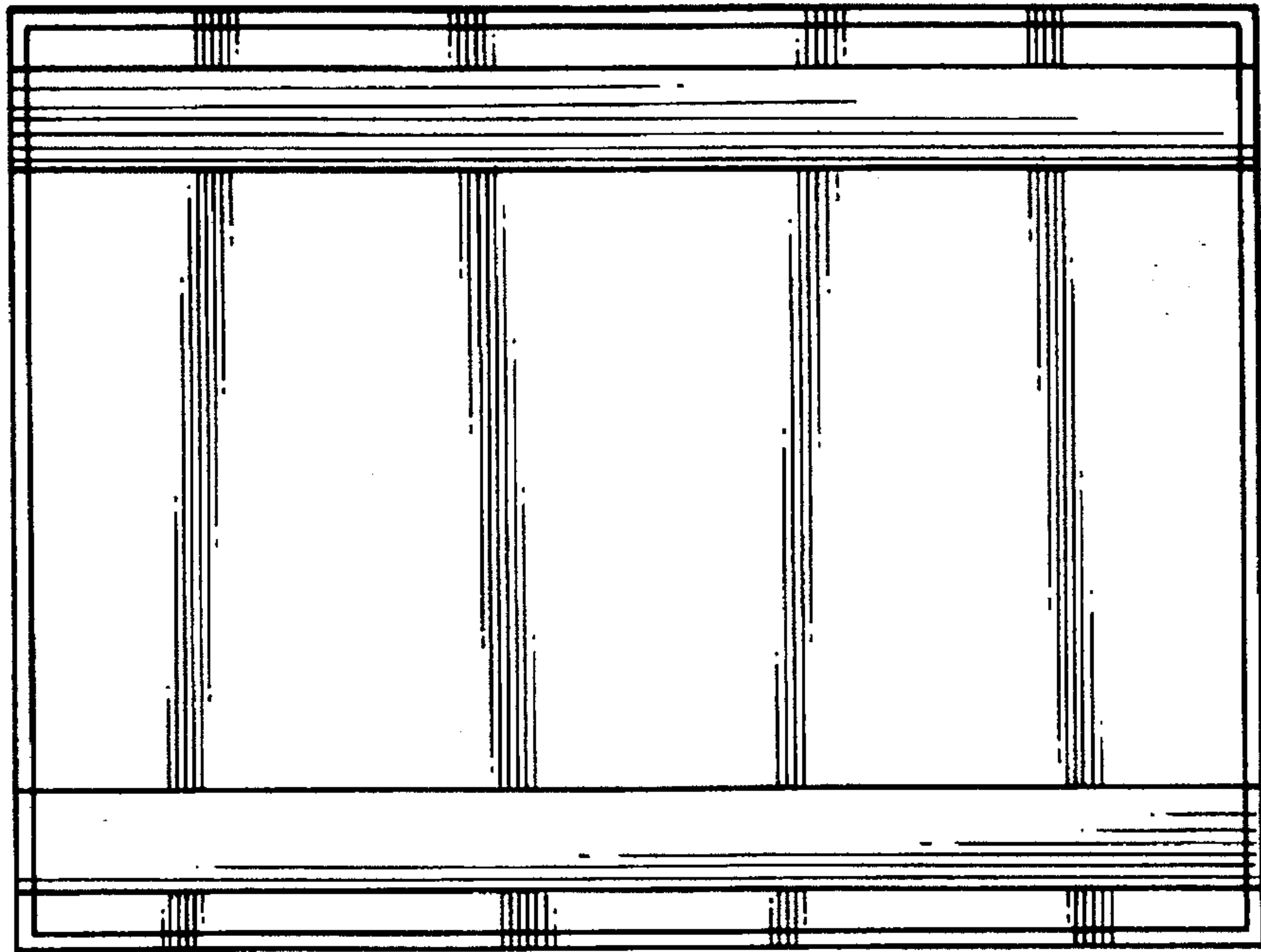


FIG. 6

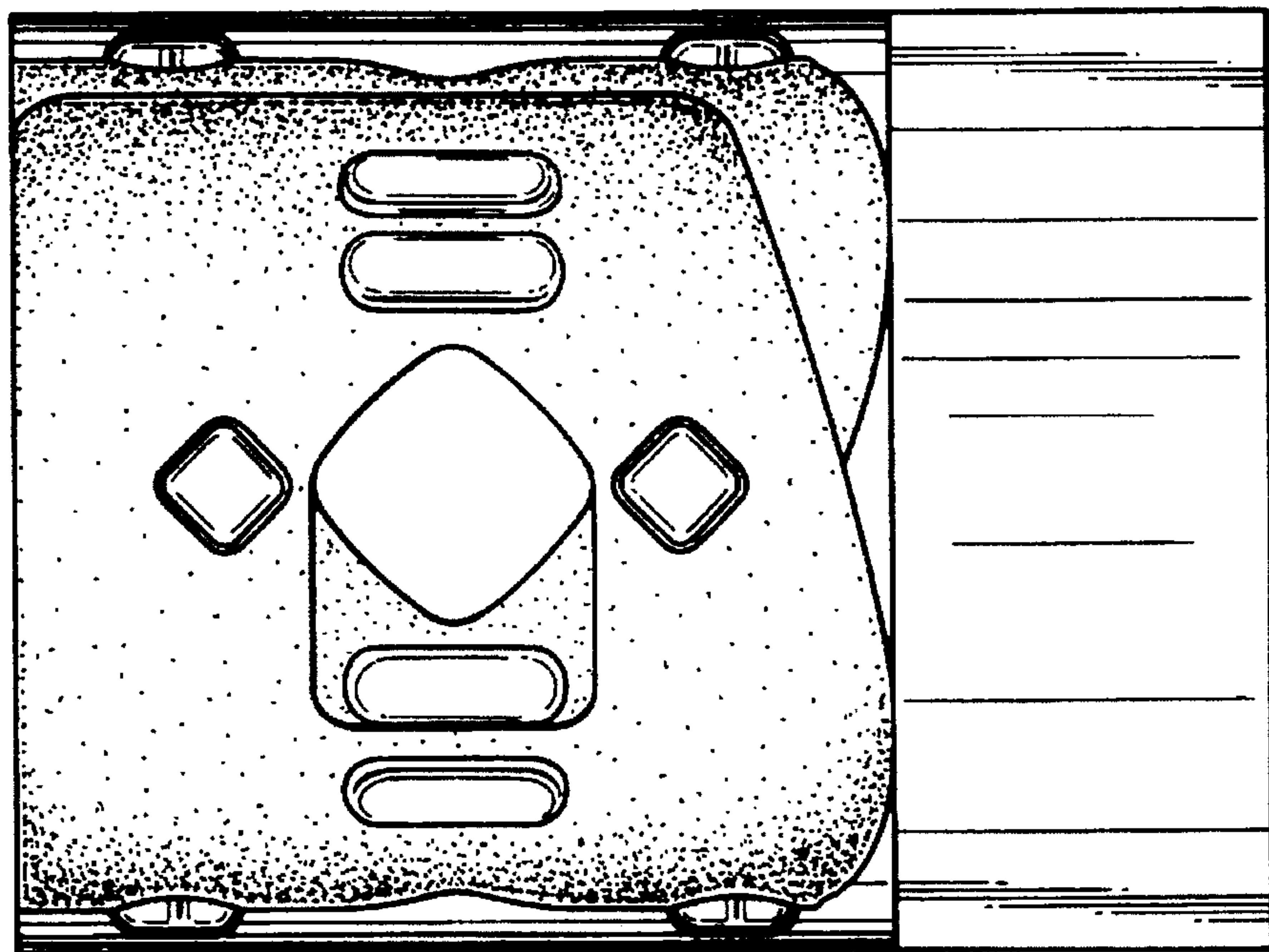


FIG. 8

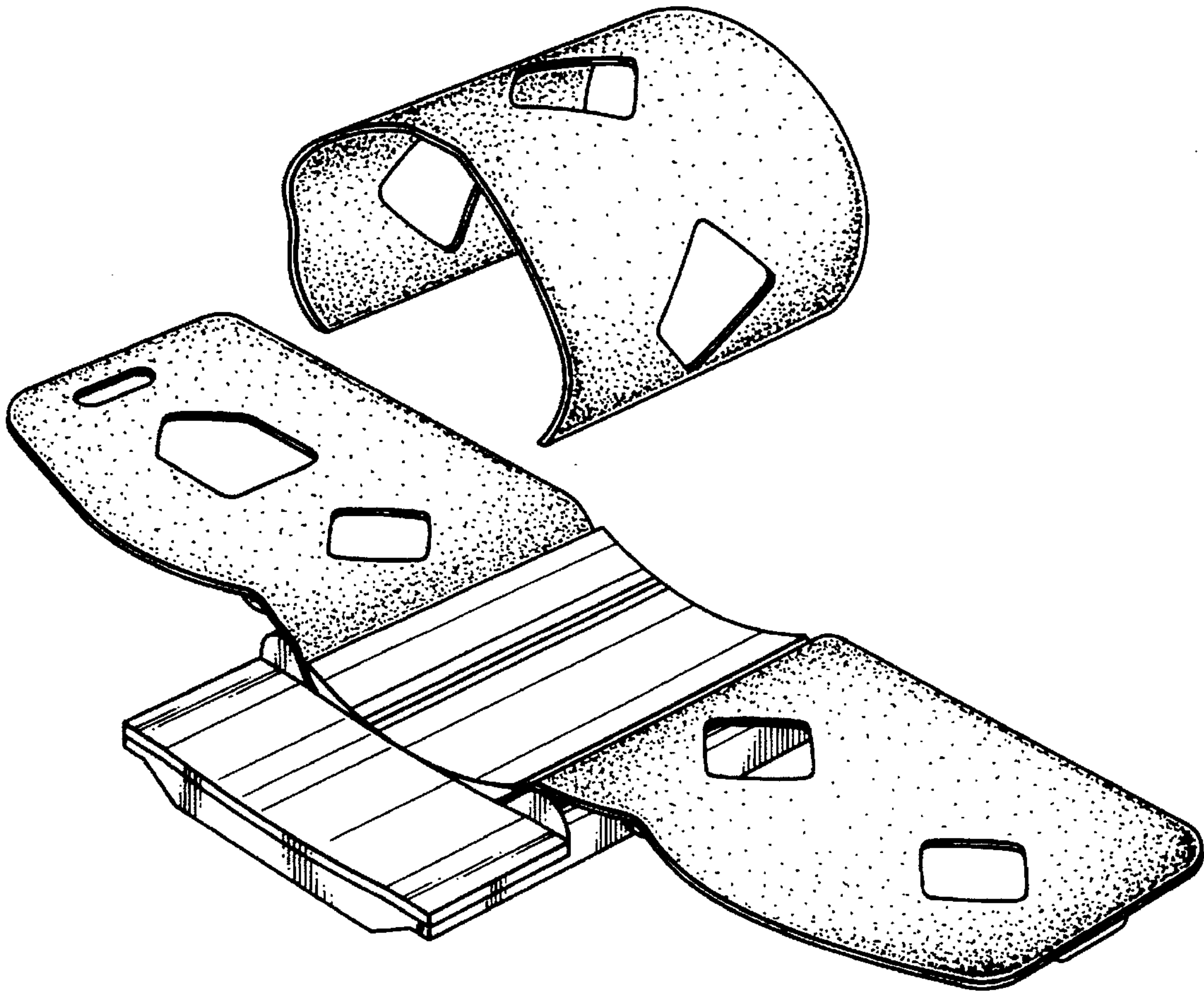


FIG. 9

