



US00D380828S

United States Patent [19] Franchi

[11] Patent Number: **Des. 380,828**
[45] Date of Patent: ****Jul. 8, 1997**

[54] **INFANT MEDICINE DISPENSER**
[76] Inventor: **Julie Franchi**, 55 Wheelock St.,
Canajoharie, N.Y. 13317
[**] Term: **14 Years**
[21] Appl. No.: **51,069**
[22] Filed: **Mar. 1, 1996**
[51] LOC (6) Cl. **07-01**
[52] U.S. Cl. **D24/117; D24/197**
[58] Field of Search D24/117, 197,
D24/115, 194, 196, 224, 121; 215/11.1,
11.6, DIG. 3; 606/236, 2

5,150,800 9/1992 Sarter et al. 215/11.1 X
5,437,381 8/1995 Herrmann 215/11.1
5,456,090 10/1995 McCoy 215/11.1 X

Primary Examiner—Louis S. Zarfaz
Assistant Examiner—I. Simmons
Attorney, Agent, or Firm—Harold H. Dutton, Jr.; W. Charles
L. Jamison; Diane F. Liebman

[57] CLAIM

The ornamental design for an infant medicine dispenser, as shown.

DESCRIPTION

FIG. 1 is a perspective view of an infant medicine dispenser showing my new design;
FIG. 2 is a front view thereof;
FIG. 3 is a rear view thereof;
FIG. 4 is a right side view thereof;
FIG. 5 is a left side view thereof;
FIG. 6 is a top view thereof; and,
FIG. 7 is a bottom view thereof.

[56] **References Cited**
U.S. PATENT DOCUMENTS
540,064 5/1895 King 215/11.1
3,077,279 2/1963 Mitchell 215/11.1
4,502,603 3/1985 Itsu D24/197 X
5,029,701 7/1991 Roth et al. 215/11.1 X
5,069,351 12/1991 Gunderson et al. D24/197 X

1 Claim, 4 Drawing Sheets

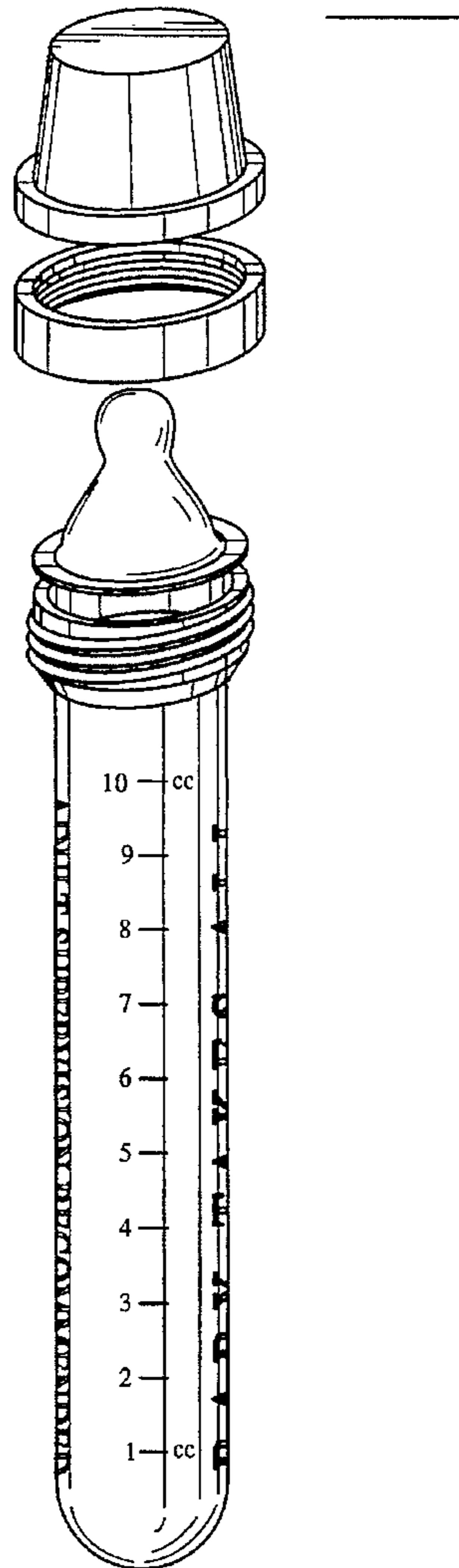
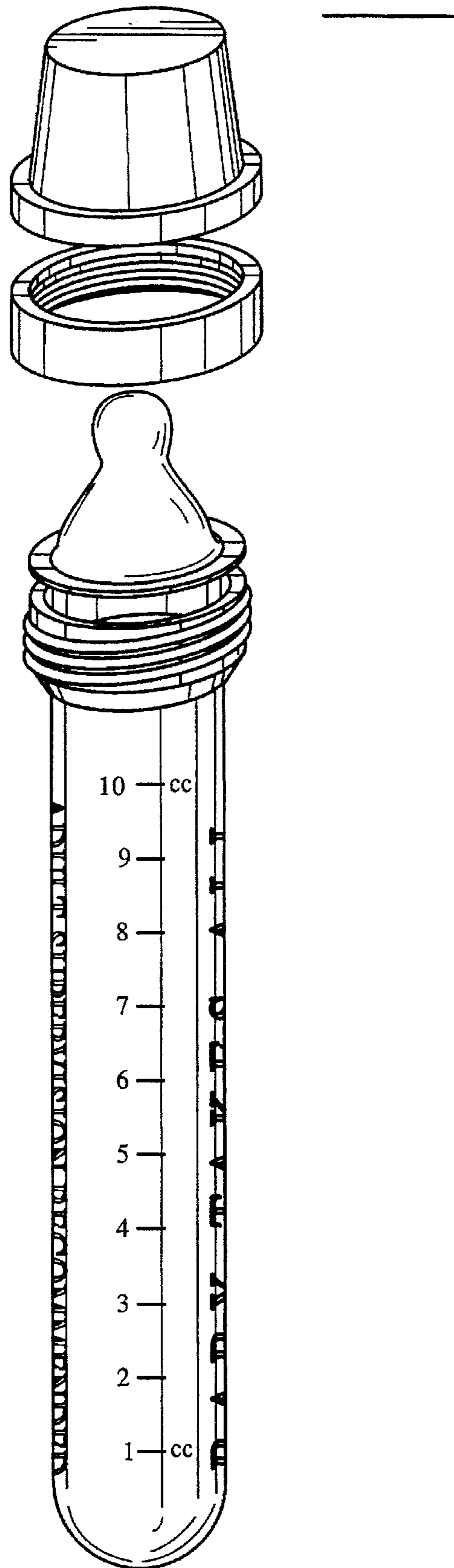


FIG. 1



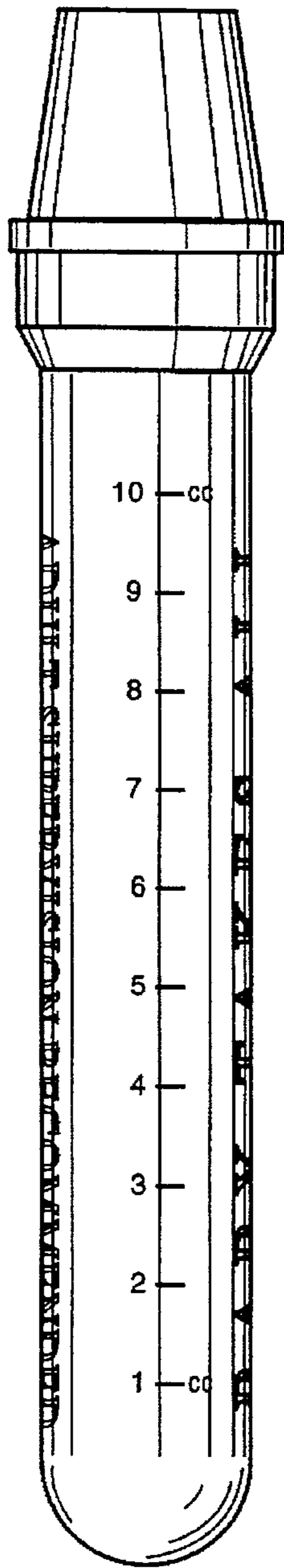
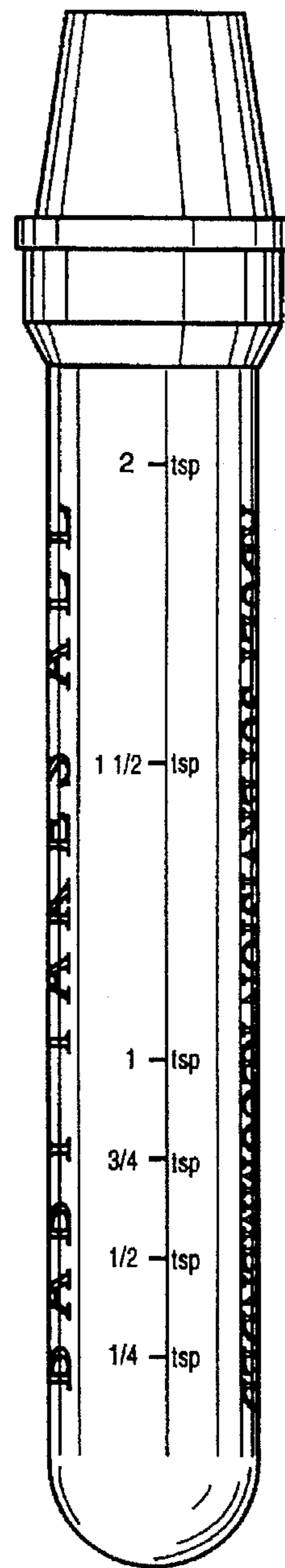


FIG. 2

FIG. 3



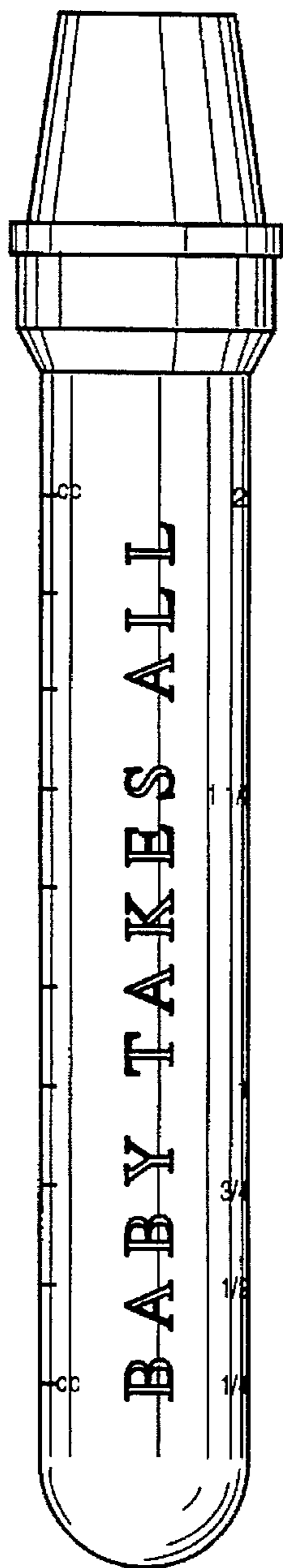
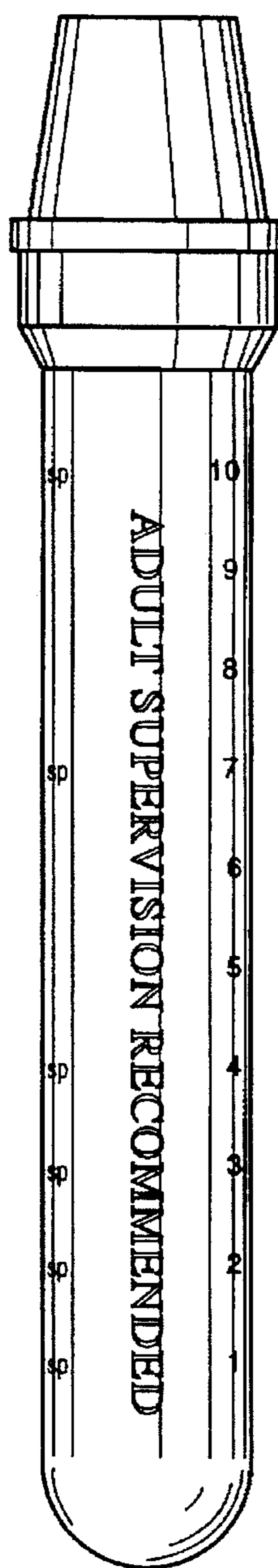


FIG. 4

FIG. 5



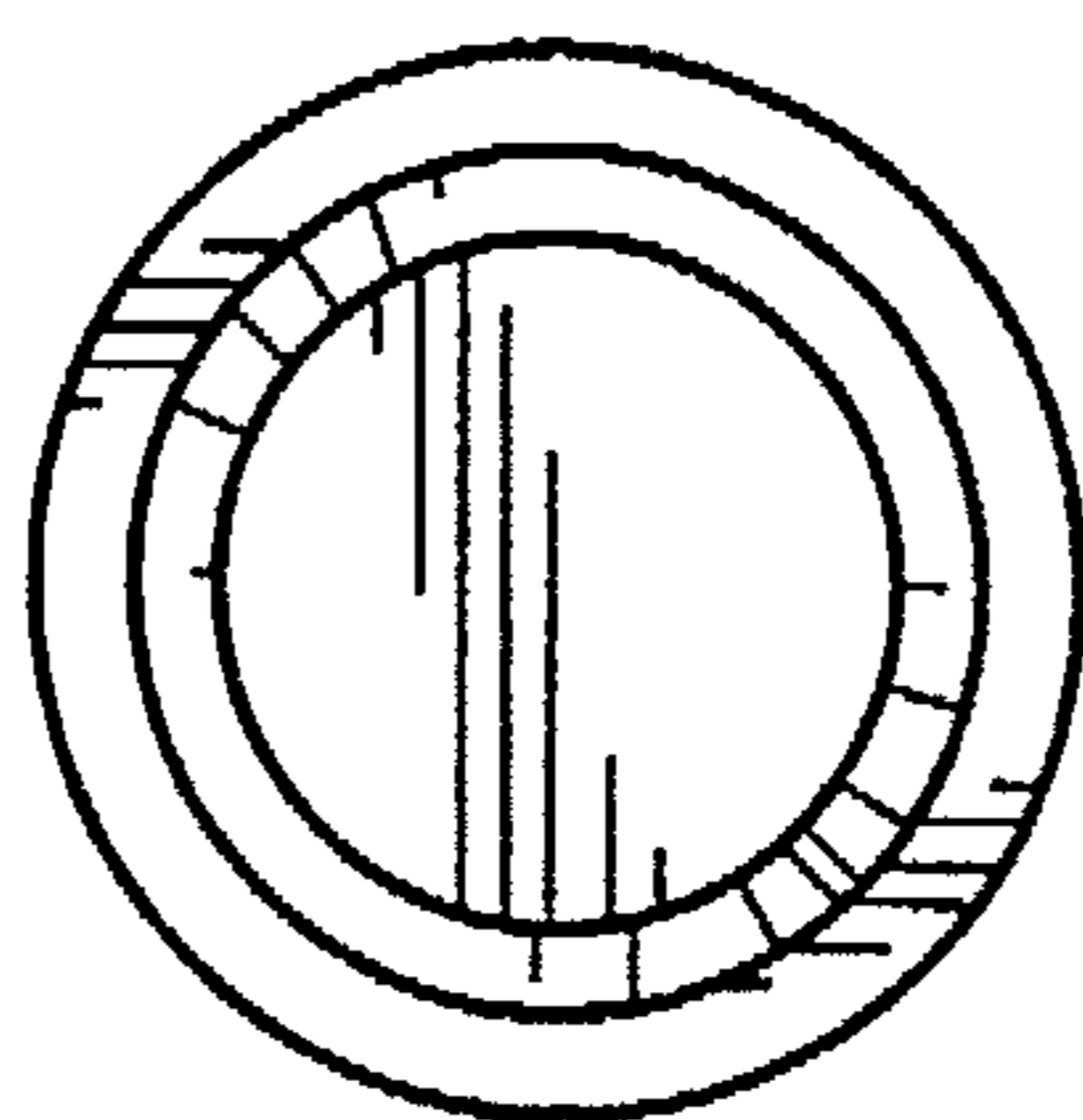


FIG. 6

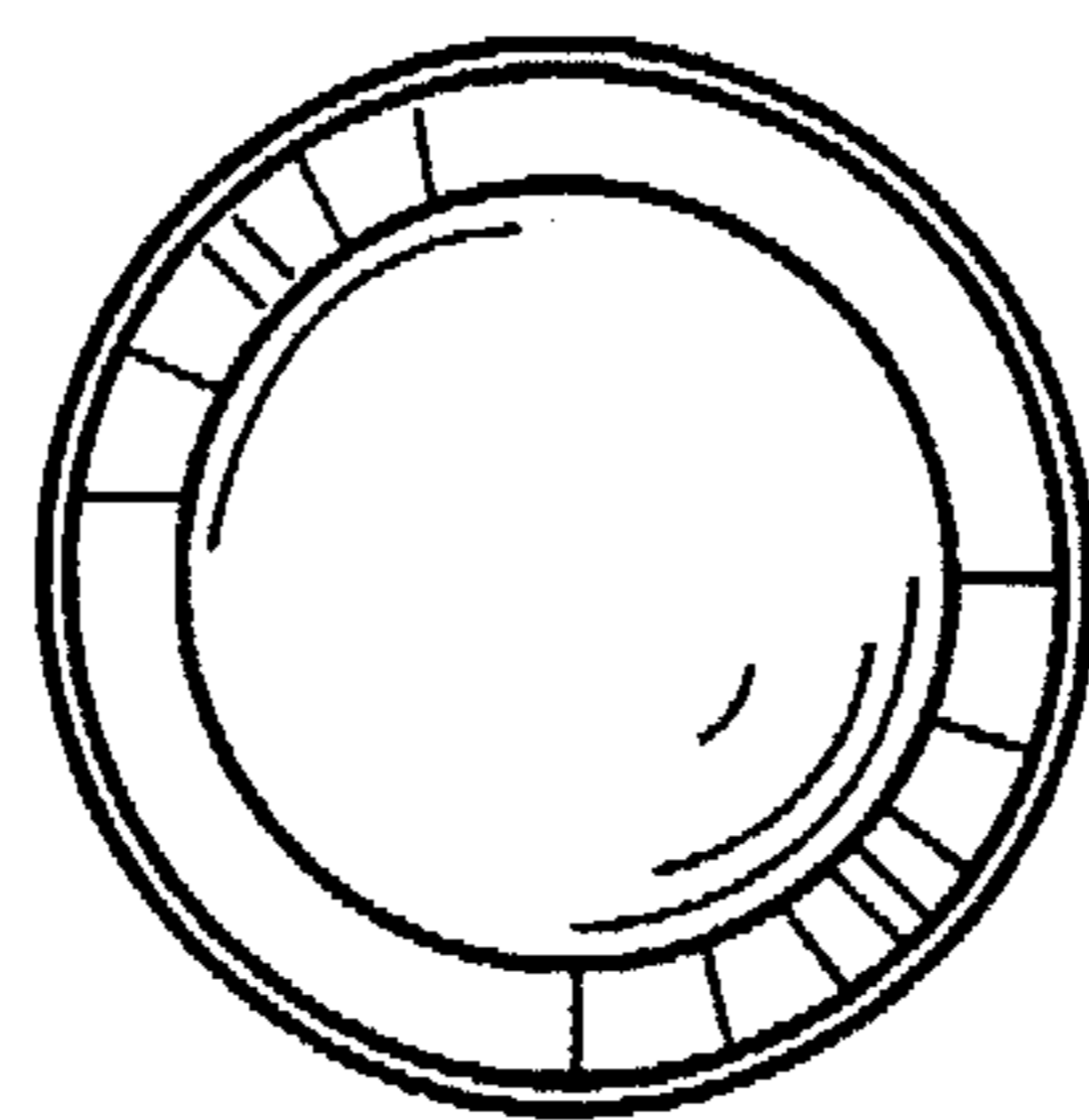


FIG. 7