



US00D380823S

United States Patent [19]

[11] Patent Number: **Des. 380,823**

LaZar

[45] Date of Patent: ****Jul. 8, 1997**

[54] **RANGE HOOD**

Primary Examiner—Lisa Lichtenstein

[75] Inventor: **Ralph M. LaZar**, Skokie, Ill.

Attorney, Agent, or Firm—Andrus, Scealess, Starke & Sawall

[73] Assignee: **Broan Mfg. Co., Inc.**, Hartford, Wis.

[57] **CLAIM**

[**] Term: **14 Years**

The ornamental design for a range hood, as shown and described.

[21] Appl. No.: **48,990**

DESCRIPTION

[22] Filed: **Jan. 16, 1996**

FIG. 1 is a perspective view of a range hood incorporating my design, viewed from the upper right;

[51] LOC (6) Cl. **23-04**

FIG. 2 is a top view of the range hood;

[52] U.S. Cl. **D23/372; D7/406; D23/371**

FIG. 3 is a bottom view of the range hood;

[58] Field of Search **D23/372, 371;**

126/299 D; 454/67; D7/406

FIG. 4 is a front view of the range hood;

FIG. 5 is a rear view of the range hood; and,

[56] **References Cited**

FIG. 6 is a right hand side view of the range hood, the left hand side view being substantially a mirror image thereof.

U.S. PATENT DOCUMENTS

The broken line showing of environmental structure in FIGS. 1-6 is for illustrative purposes only and forms no part of the claimed design.

4,088,123 5/1978 Bowen, Jr. et al. 126/299 D

5,027,790 7/1991 Chem 126/299 D

FOREIGN PATENT DOCUMENTS

2418207 10/1975 Germany 98/115.1

3424330 1/1986 Germany D23/372

1 Claim, 3 Drawing Sheets

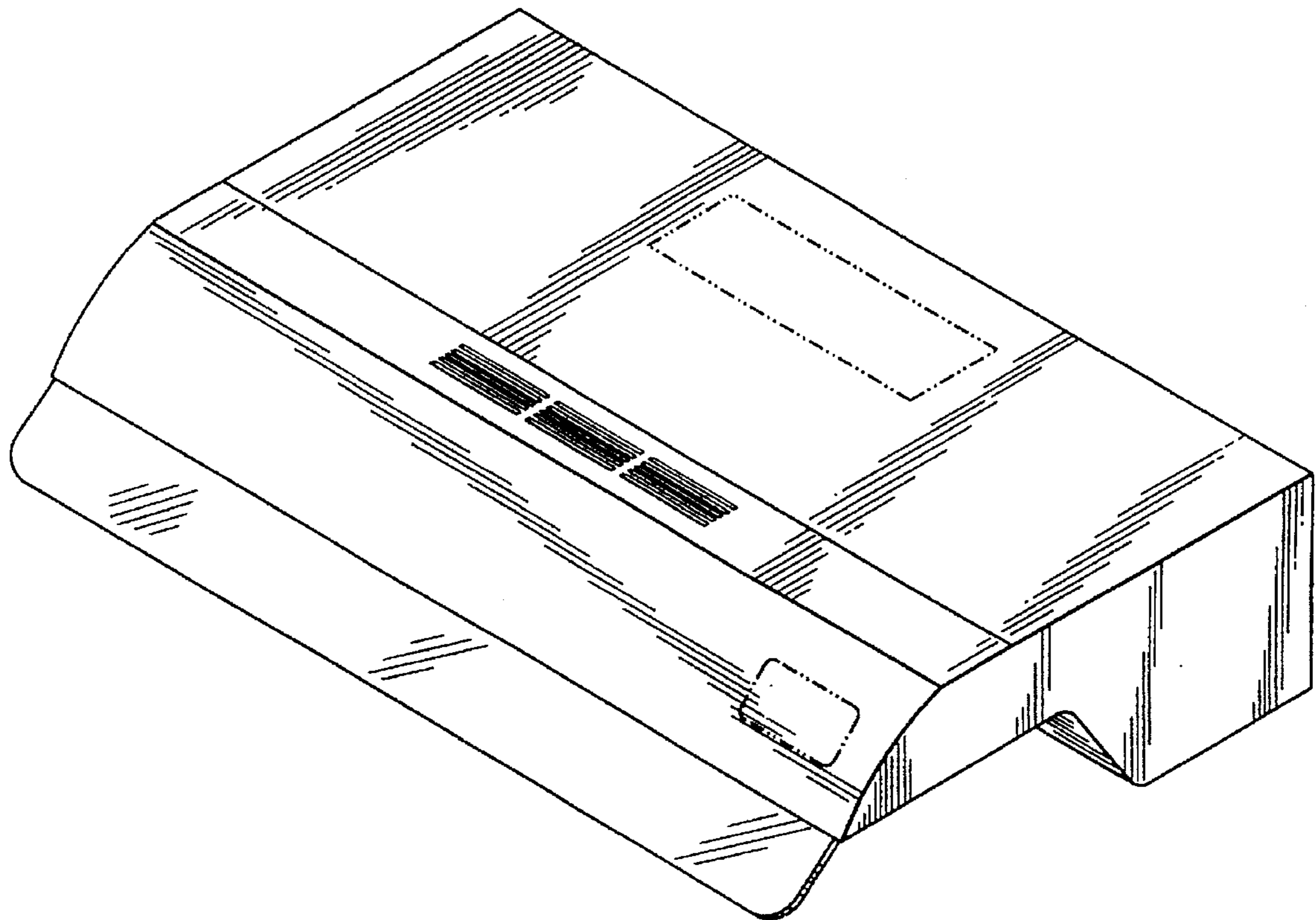


FIG. 1

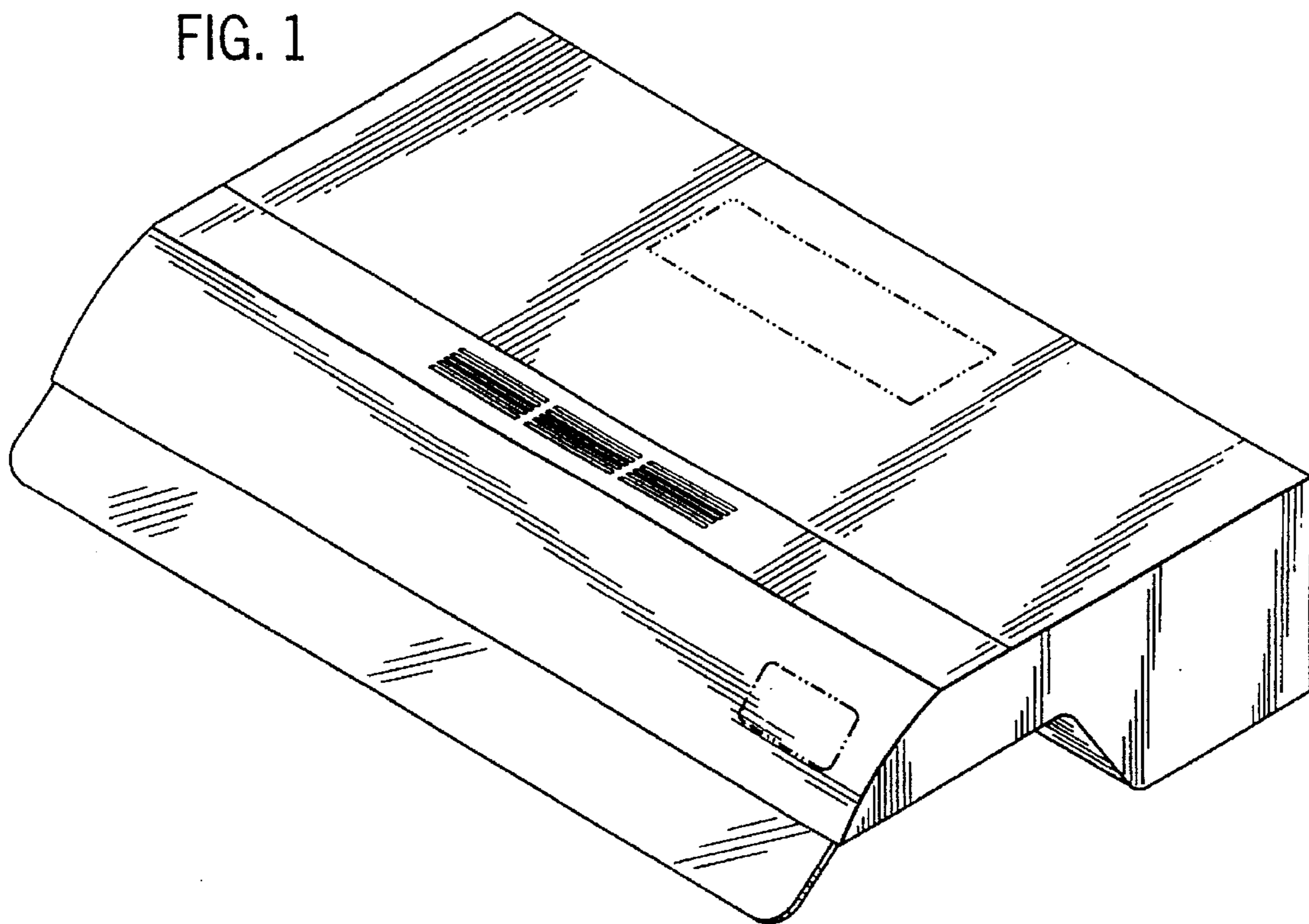


FIG. 6

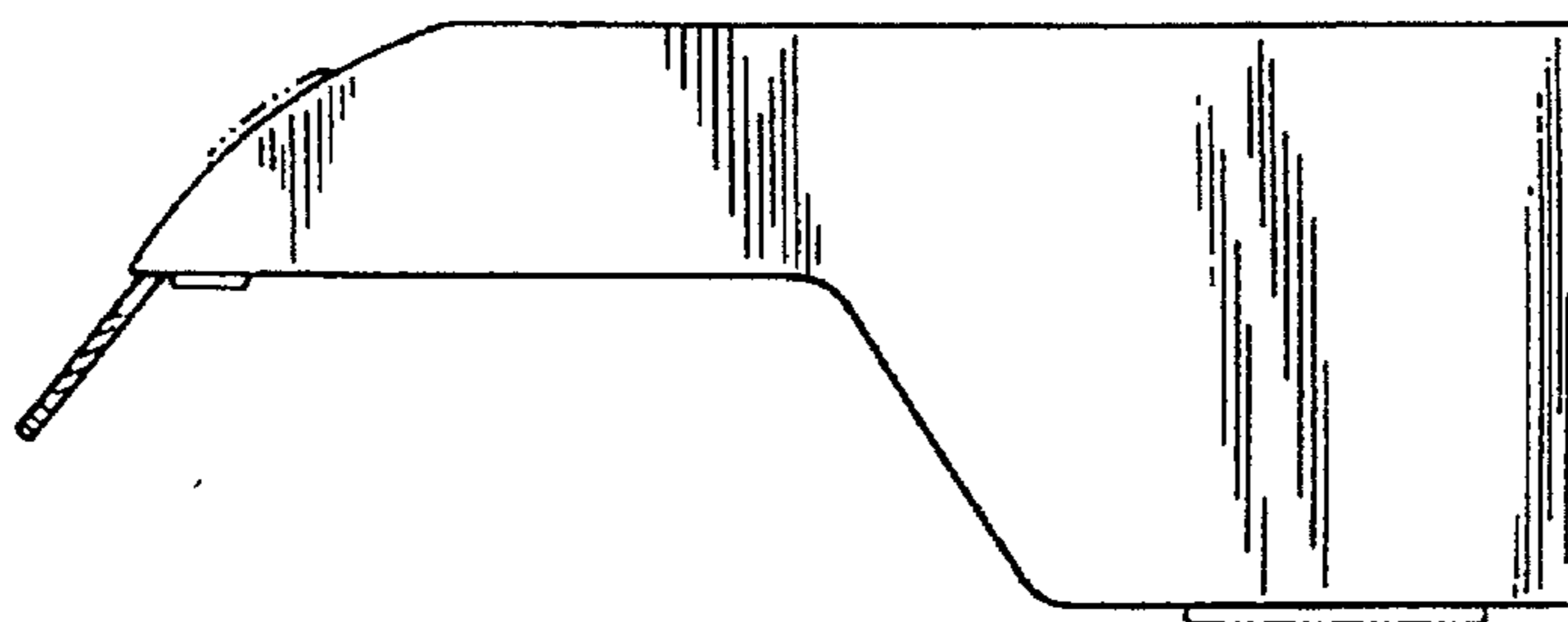


FIG. 2

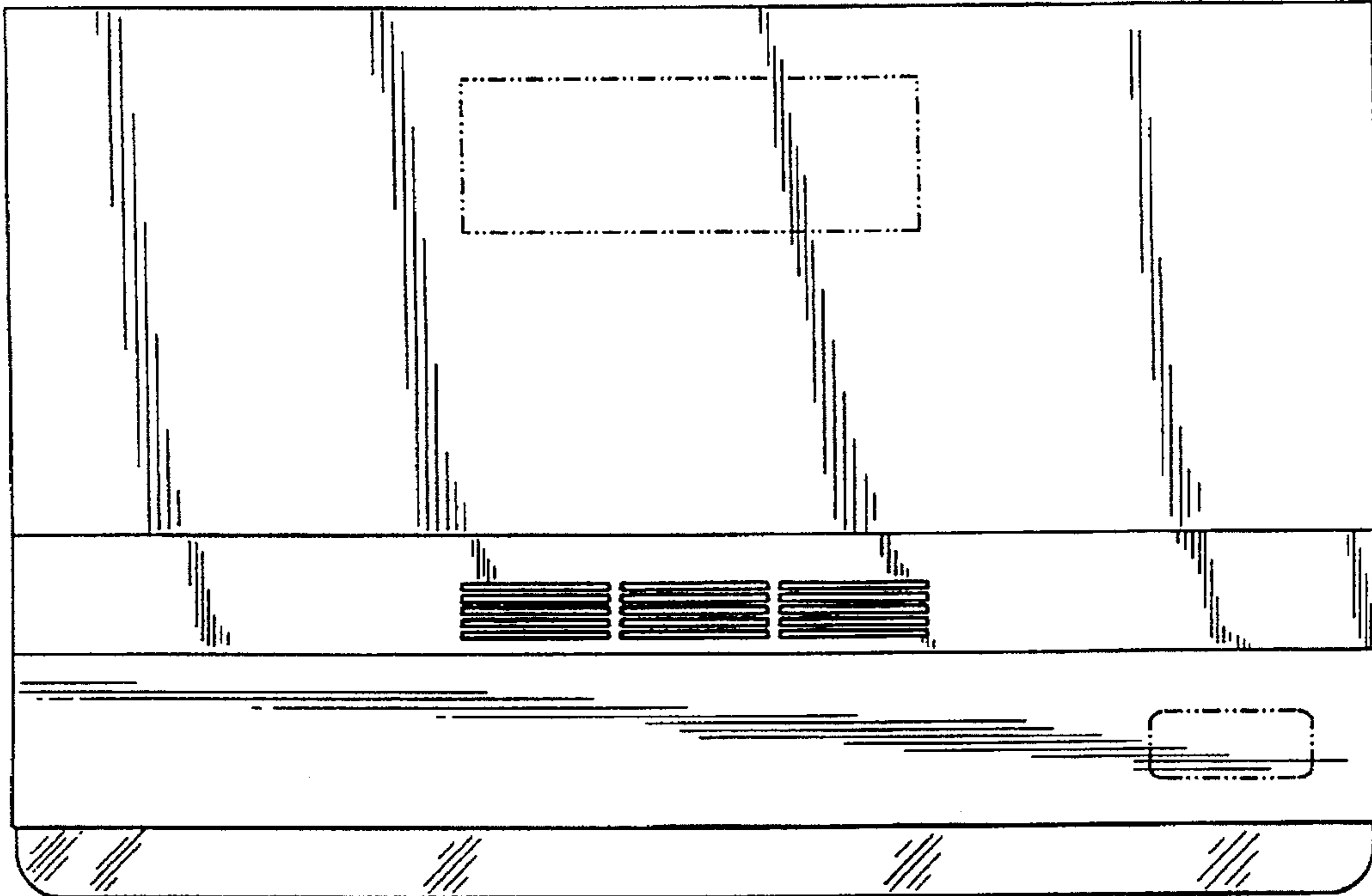


FIG. 3

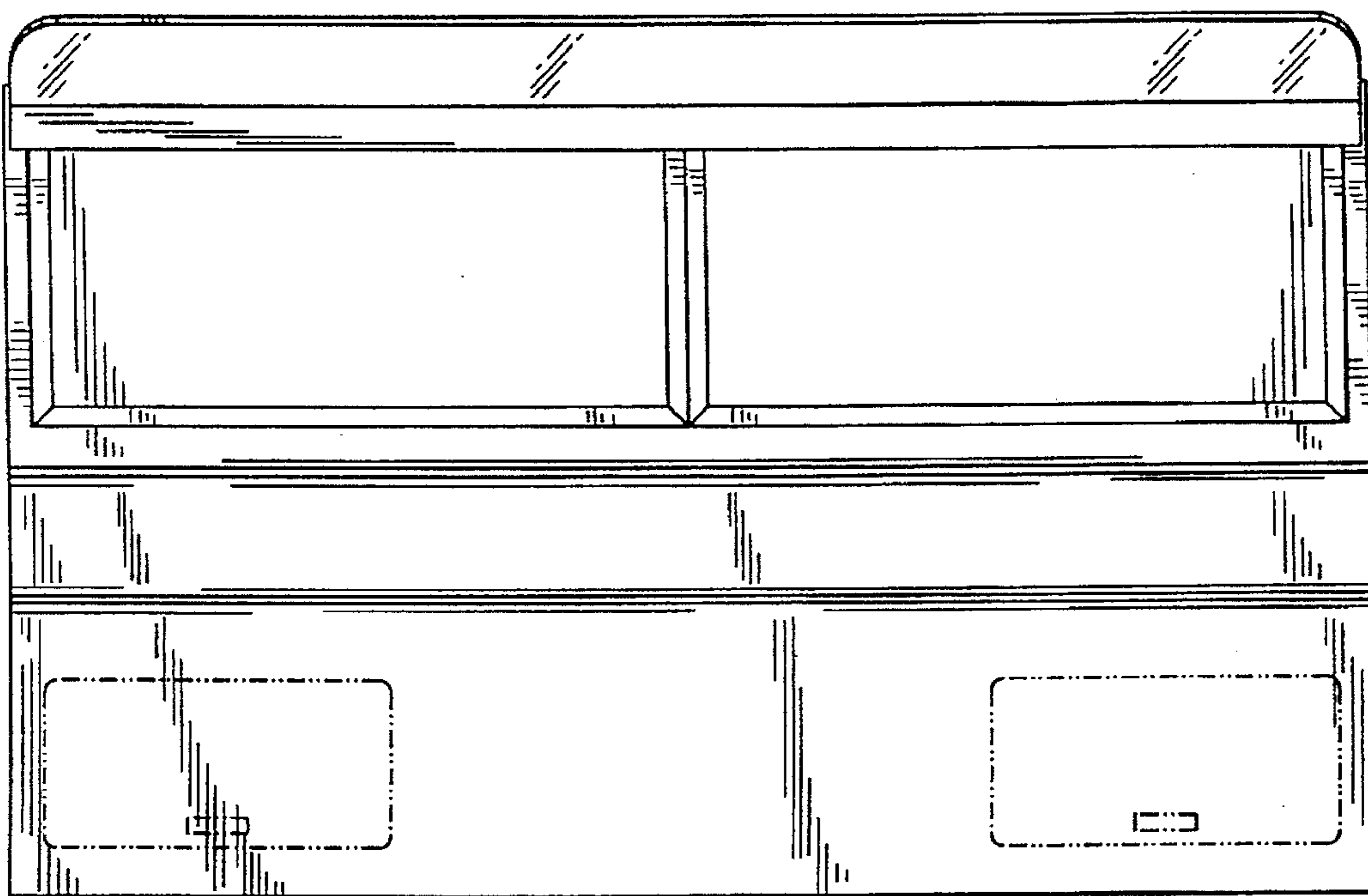


FIG. 4

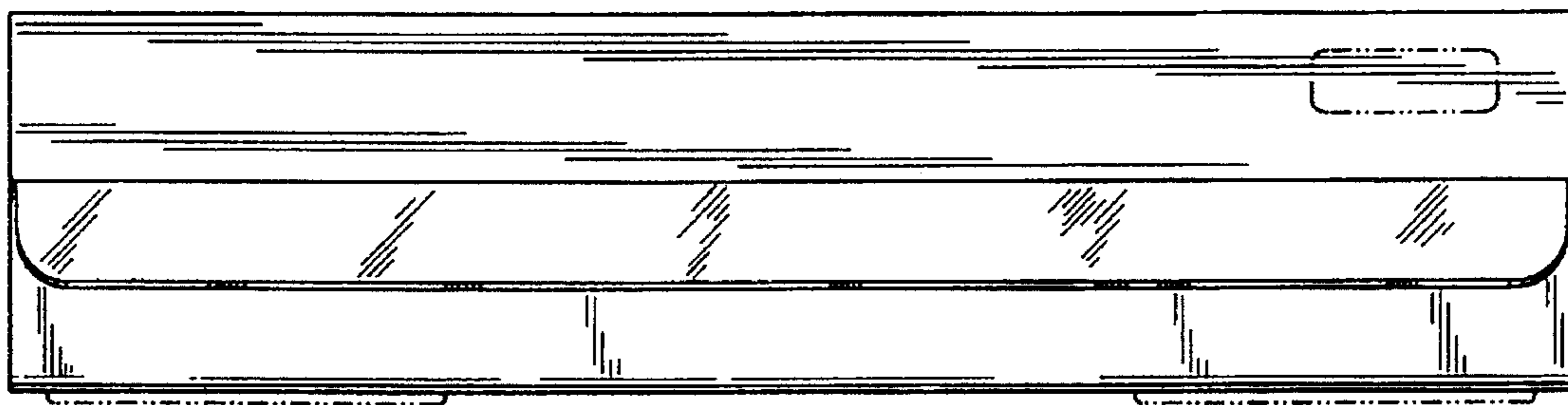


FIG. 5

