



US00D380820S

# United States Patent [19]

Levine et al.

[11] Patent Number: **Des. 380,820**

[45] Date of Patent: **\*\*Jul. 8, 1997**

[54] **HUMIDIFIER**

4,853,161 8/1989 Huang ..... 261/DIG. 48

[75] Inventors: **Lawrence Levine**, Fairfield, Conn.; **Leo Gross**, New York; **Paul Siller**, East Moriches, both of N.Y.

*Primary Examiner*—Lisa P. Lichtenstein  
*Attorney, Agent, or Firm*—Herbert Dubno

[73] Assignee: **Slant/Fin Corporation**, Greenvale, N.Y.

[57] **CLAIM**

The ornamental design for a humidifier, as shown.

[\*\*] Term: **14 Years**

### DESCRIPTION

[21] Appl. No.: **45,943**

FIG. 1 is a top, front, right side perspective view of a humidifier showing our new design;

[22] Filed: **Nov. 3, 1995**

FIG. 2 is a front elevational view thereof;

[51] **LOC (6) Cl.** ..... **23-04**

FIG. 3 is a top plan view thereof;

[52] **U.S. Cl.** ..... **D23/356; D23/358**

FIG. 4 is a right side elevational view thereof;

[58] **Field of Search** ..... **D23/356-363;**  
261/1, 81, DIG. 48; 422/120, 123; 392/403-406,  
394

FIG. 5 is a left side elevational view thereof;

FIG. 6 is a rear elevational view thereof; and,

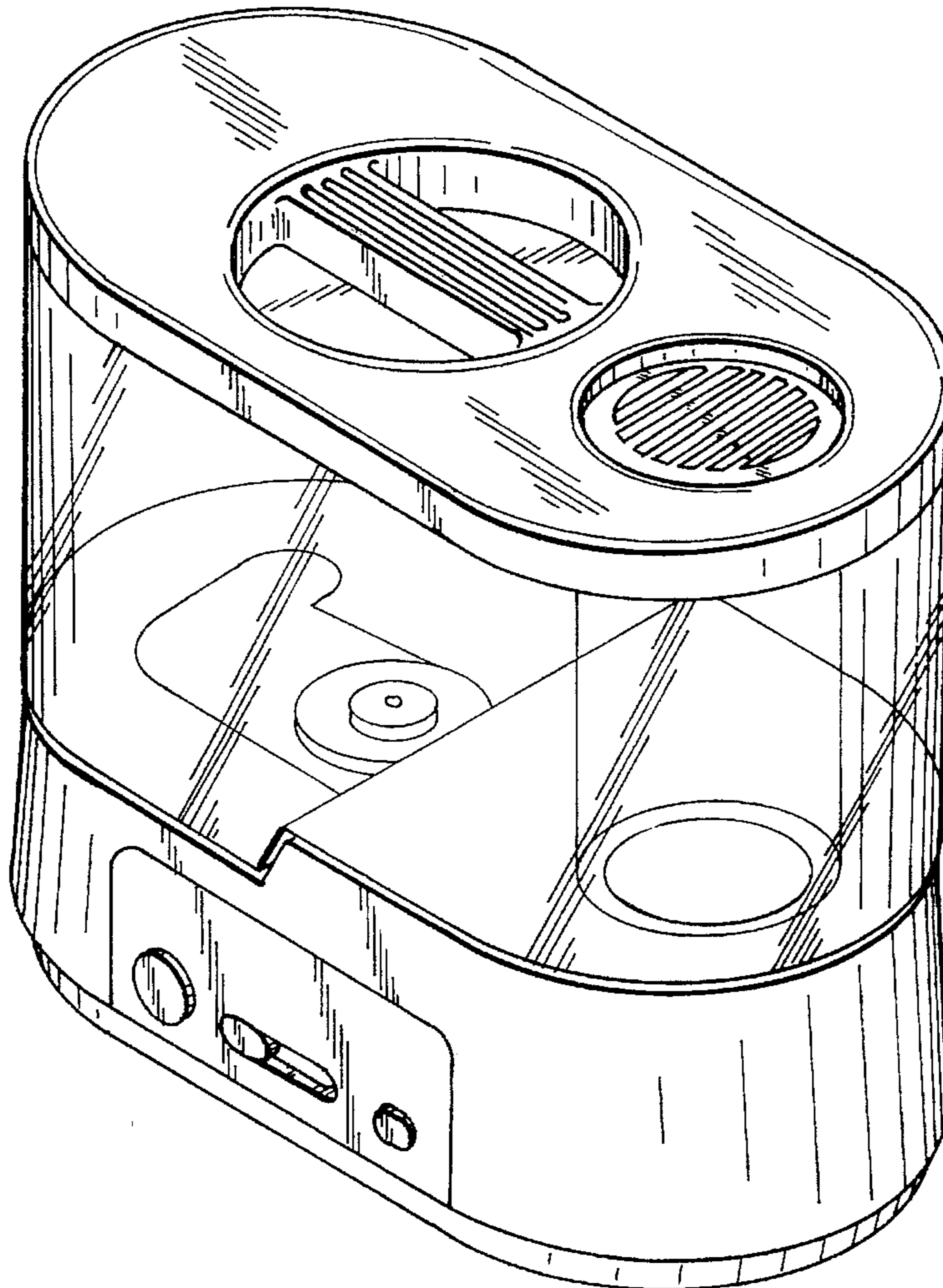
FIG. 7 is a bottom view thereof.

[56] **References Cited**

#### U.S. PATENT DOCUMENTS

D. 330,074 10/1992 Wang et al. .... D23/356

**1 Claim, 7 Drawing Sheets**



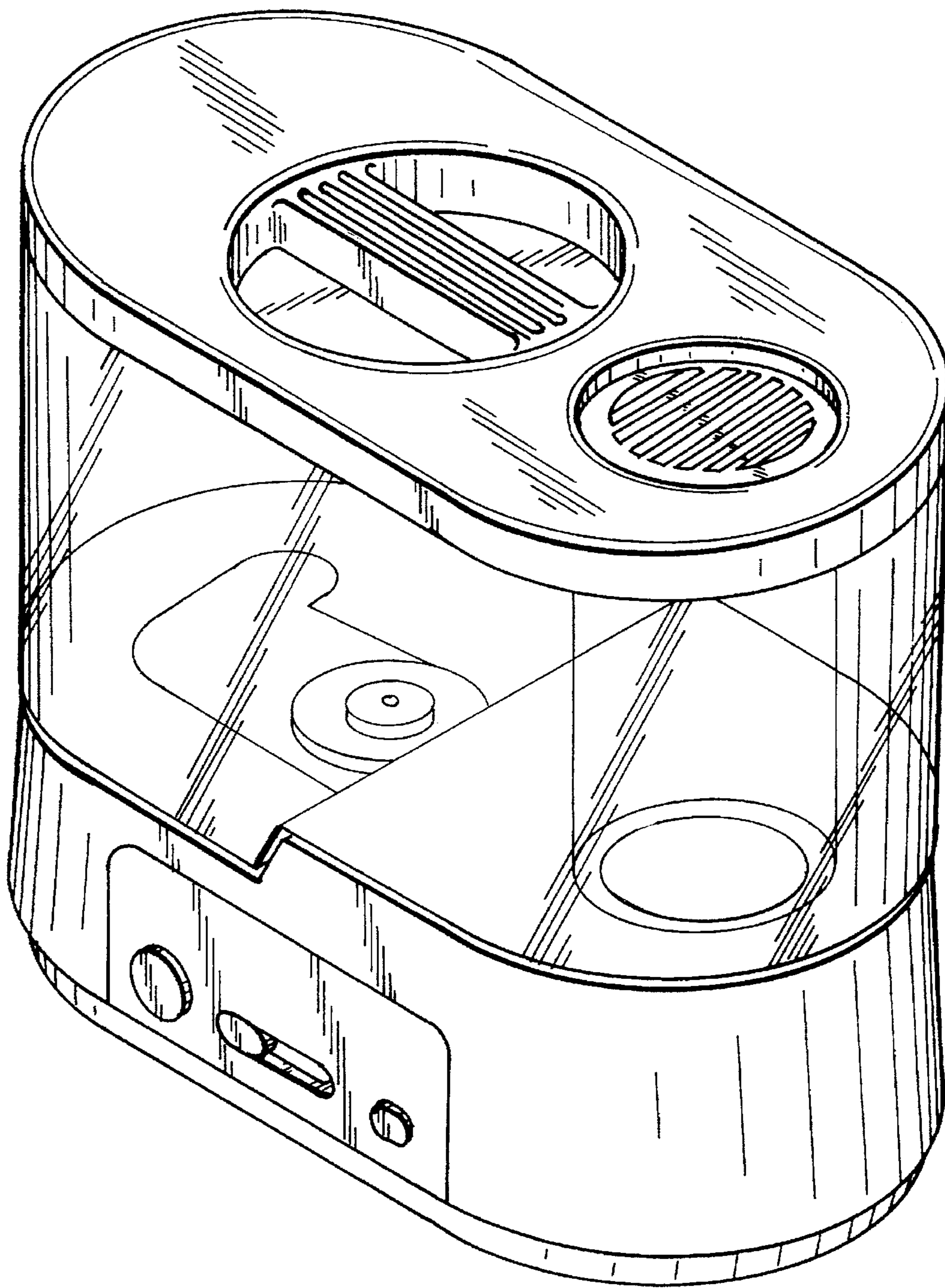


FIG. 1

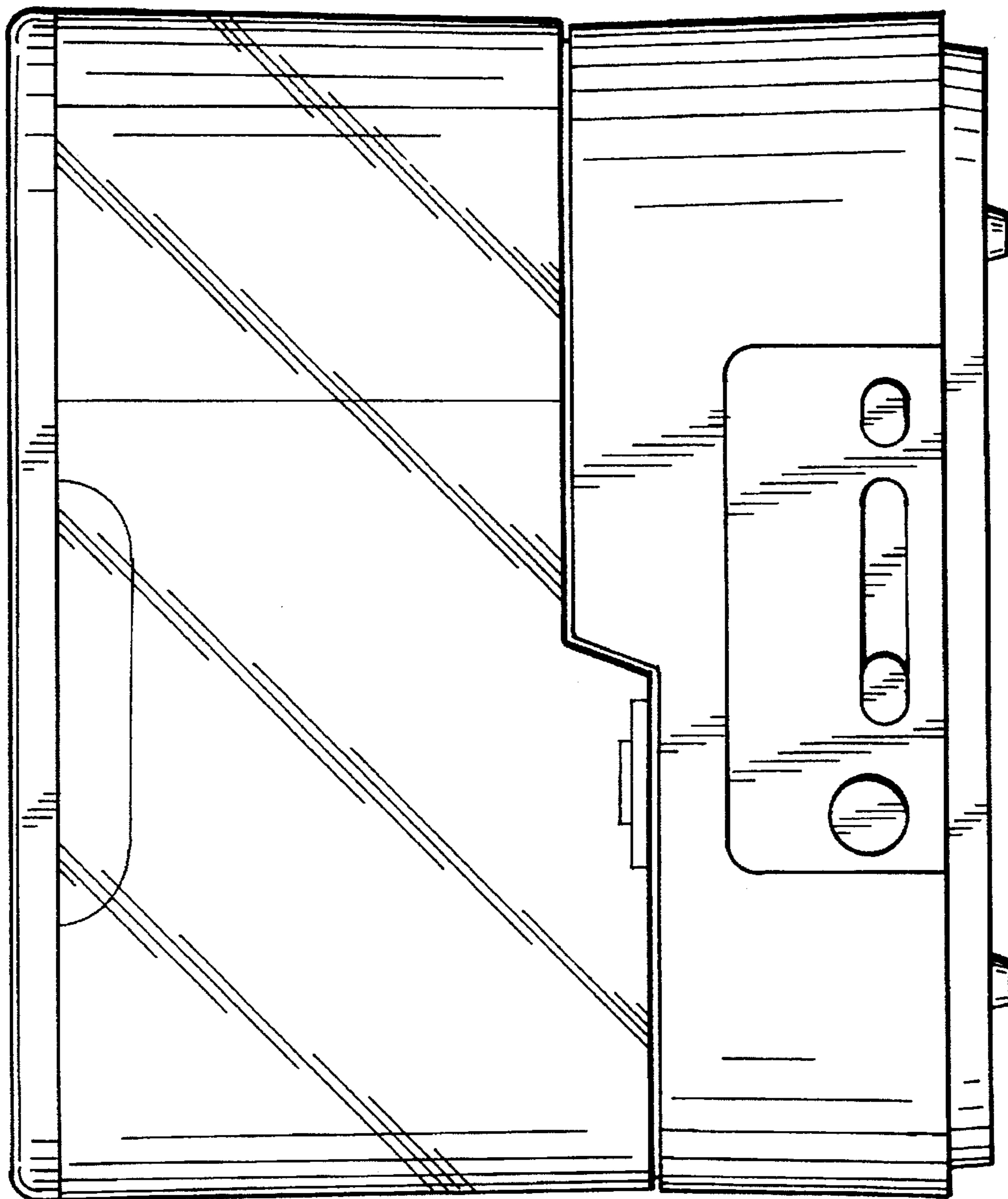
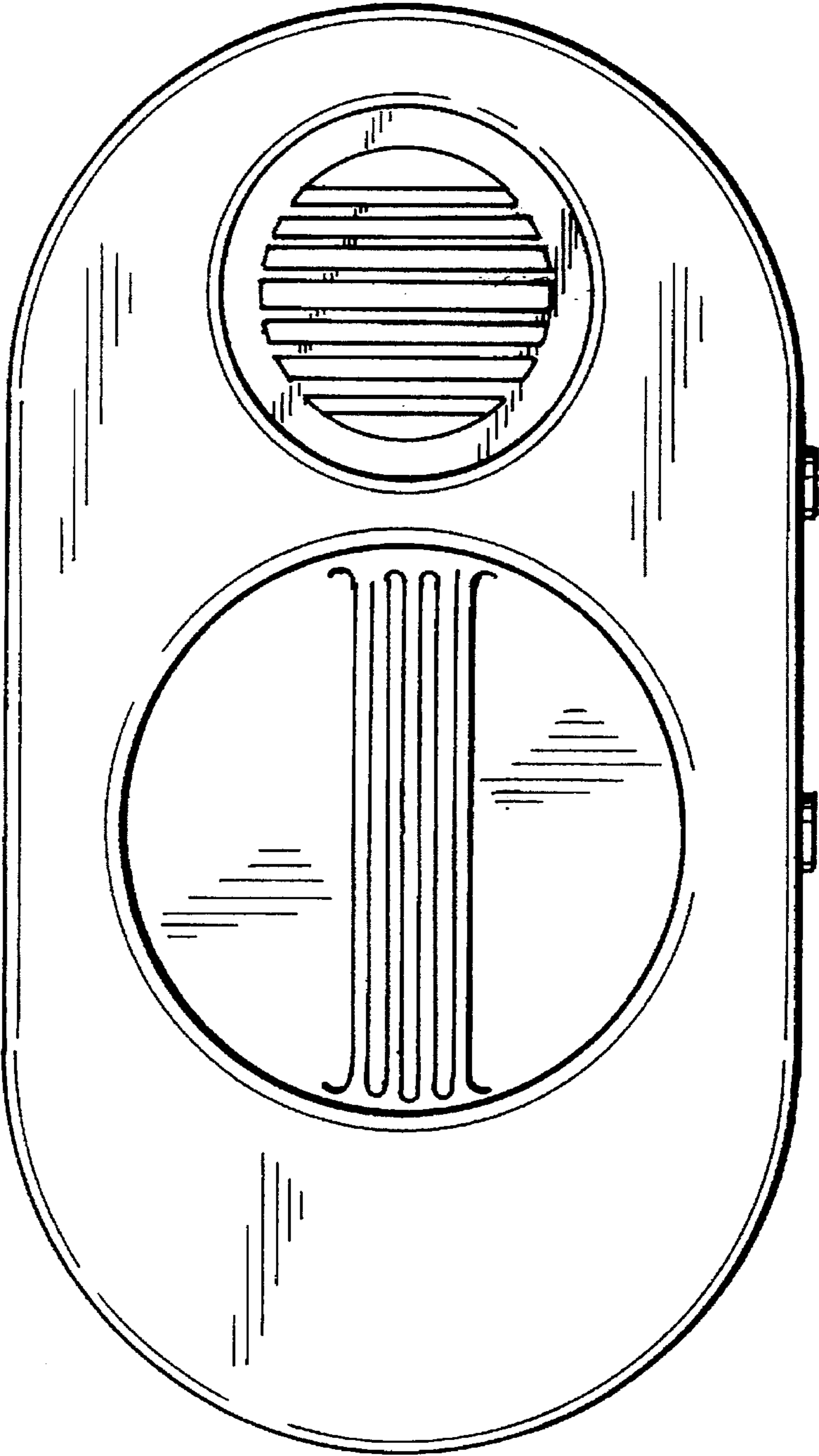
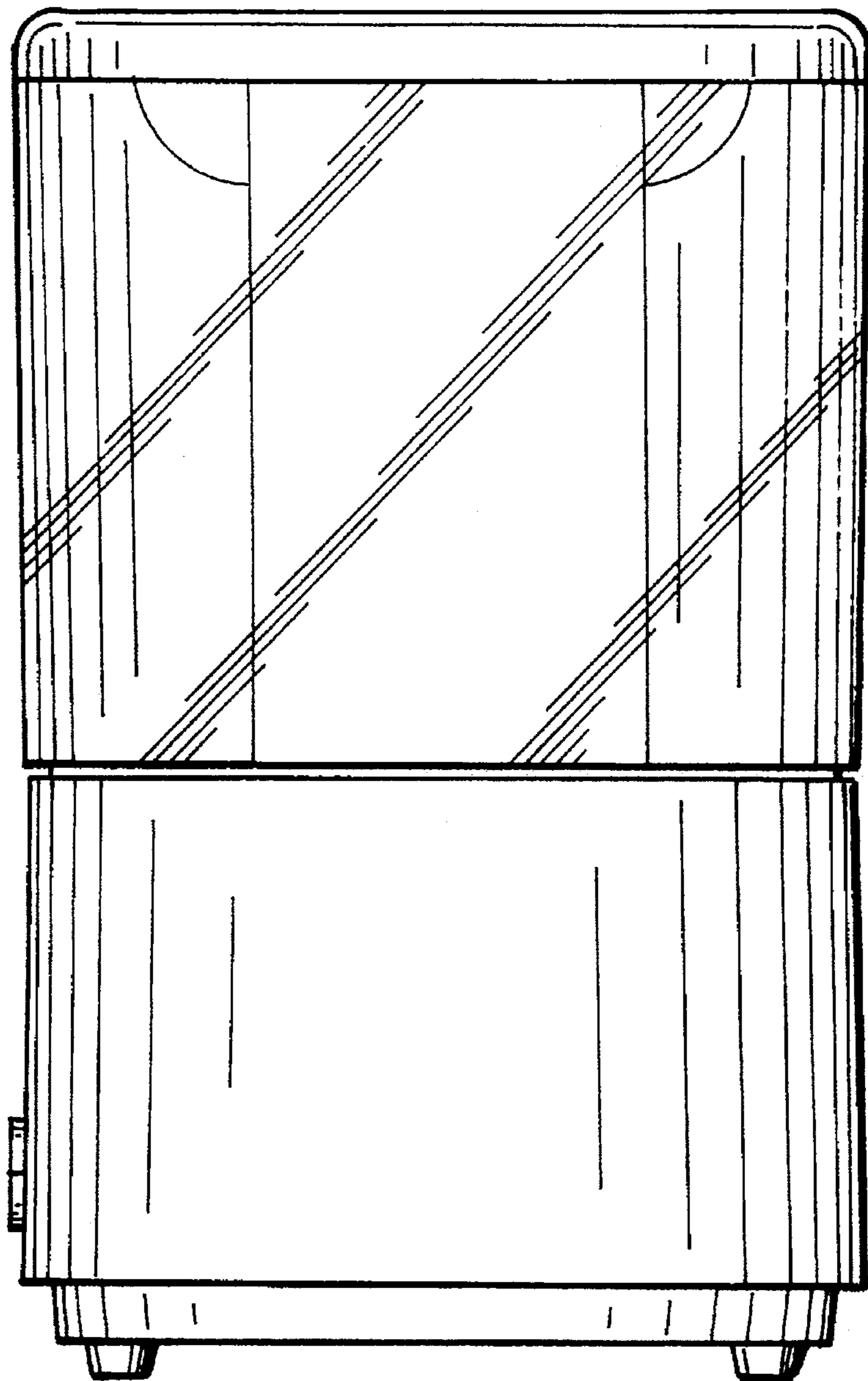


FIG. 2

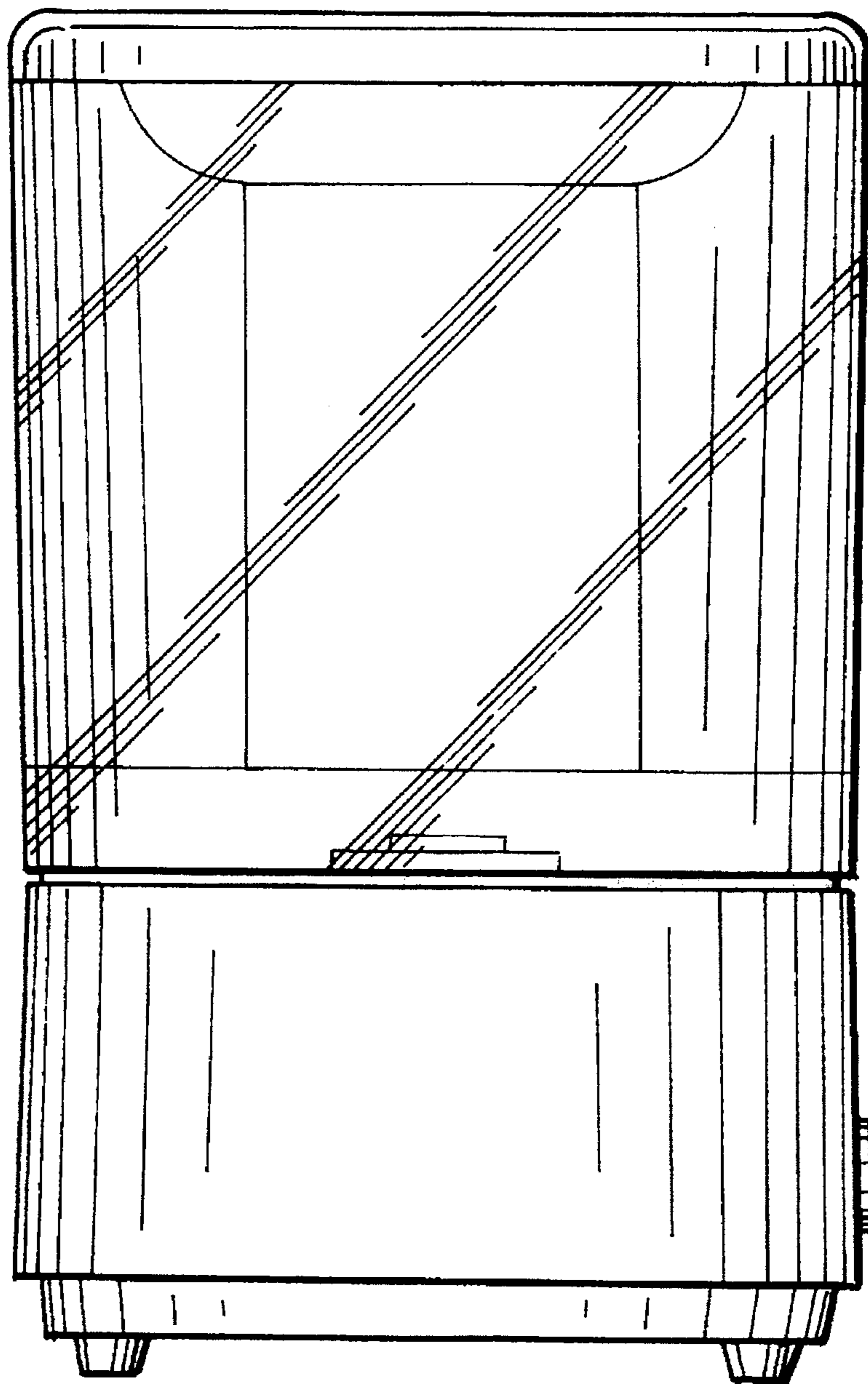
FIG. 3



# FIG. 4



# FIG. 5



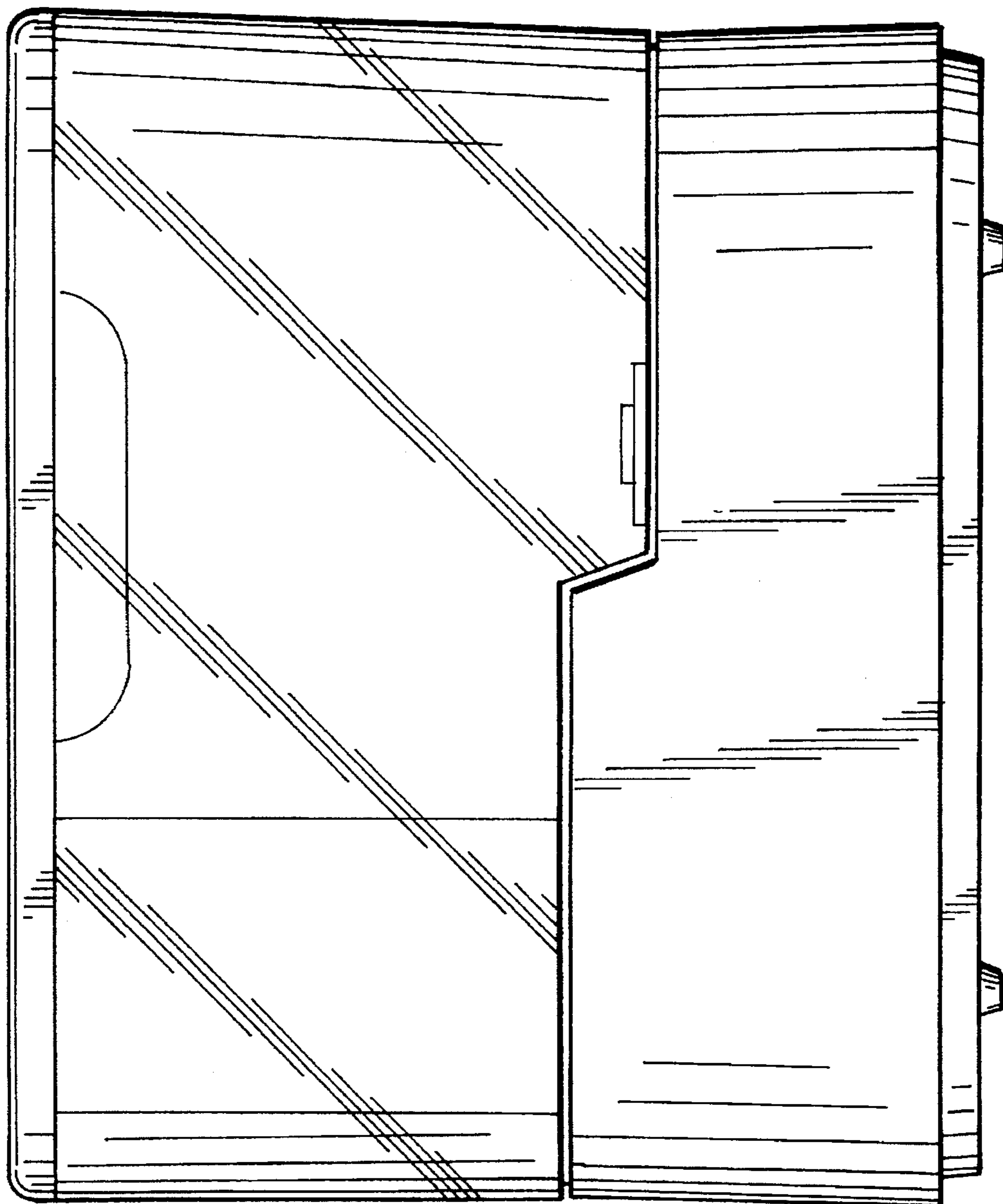


FIG. 6

FIG. 7

