



US00D380817S

**United States Patent** [19]  
**Veal**

[11] **Patent Number:** **Des. 380,817**  
[45] **Date of Patent:** **\*\*Jul. 8, 1997**

[54] **HOUSING FOR A MOTOR OF AN  
AUTOMATIC TOILET SEAT DEVICE**

[76] **Inventor:** **Bennie N. Veal**, 6621 Park Valley Dr.,  
Clarkston, Mich. 48348

[\*\*] **Term:** **14 Years**

[21] **Appl. No.:** **49,528**

[22] **Filed:** **Jan. 26, 1996**

[51] **LOC (6) Cl.** ..... **23-02**

[52] **U.S. Cl.** ..... **D23/309**

[58] **Field of Search** ..... **D23/309-313;**  
**4/46.1, 46.2, 46.3, 46.4, 46.5**

[56] **References Cited**

**U.S. PATENT DOCUMENTS**

D. 352,101	11/1994	Veal .	
D. 370,057	5/1996	Muderlak .....	D23/309
4,995,120	2/1991	Tager .....	4/251
5,279,000	1/1994	Mercier et al. ....	4/240
5,311,619	5/1994	Ward .....	4/246.1
5,327,589	7/1994	Rice .....	4/246.2
5,400,442	3/1995	Pendlebury .....	4/246.2

*Primary Examiner*—Doris Clark

*Attorney, Agent, or Firm*—Harness, Dickey & Pierce P.L.C.

[57] **CLAIM**

The ornamental design for a housing for a motor of an automatic toilet seat device, as shown and described.

**DESCRIPTION**

FIG. 1 is a perspective view of a housing for a motor of an automatic toilet seat device showing my new design, where the phantom lines defining the toilet are for illustrative purposes only and form no part of the claimed design;

FIG. 2 is a detailed perspective view of the housing for the motor of an automatic toilet seat device of FIG. 1;

FIG. 3 is a front view of the housing for the motor of an automatic toilet seat device of FIG. 1, with the understanding that the back view is a mirror image of the front view;

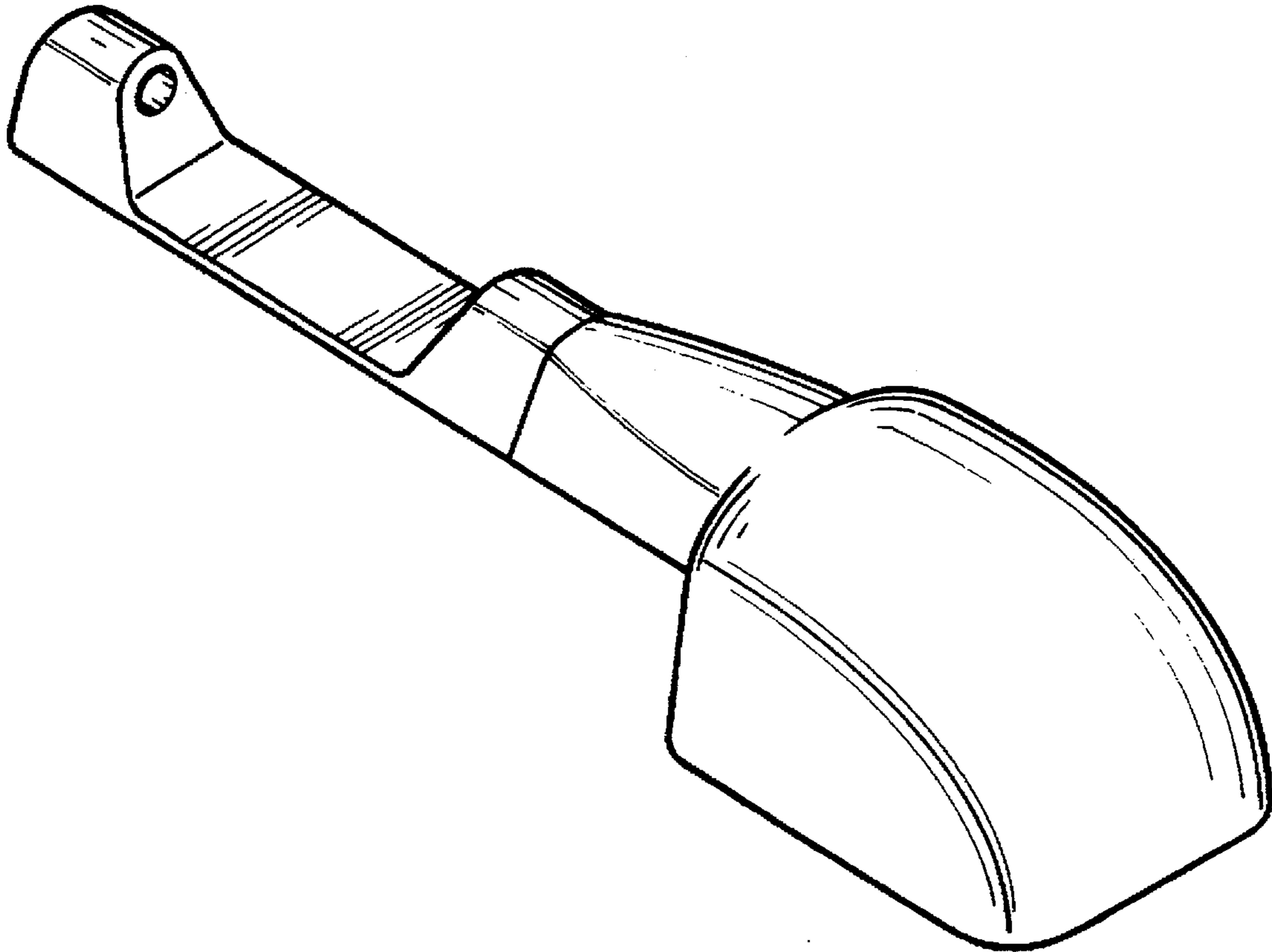
FIG. 4 is an end view of the housing for the motor of an automatic toilet seat device of FIG. 1;

FIG. 5 is the opposite end view of the housing for the motor of an automatic toilet seat device of FIG. 1;

FIG. 6 is a top plan view of the housing for the motor of an automatic toilet seat device of FIG. 1; and,

FIG. 7 is a bottom plan view of the housing for the motor of an automatic toilet seat device of FIG. 1.

**1 Claim, 2 Drawing Sheets**



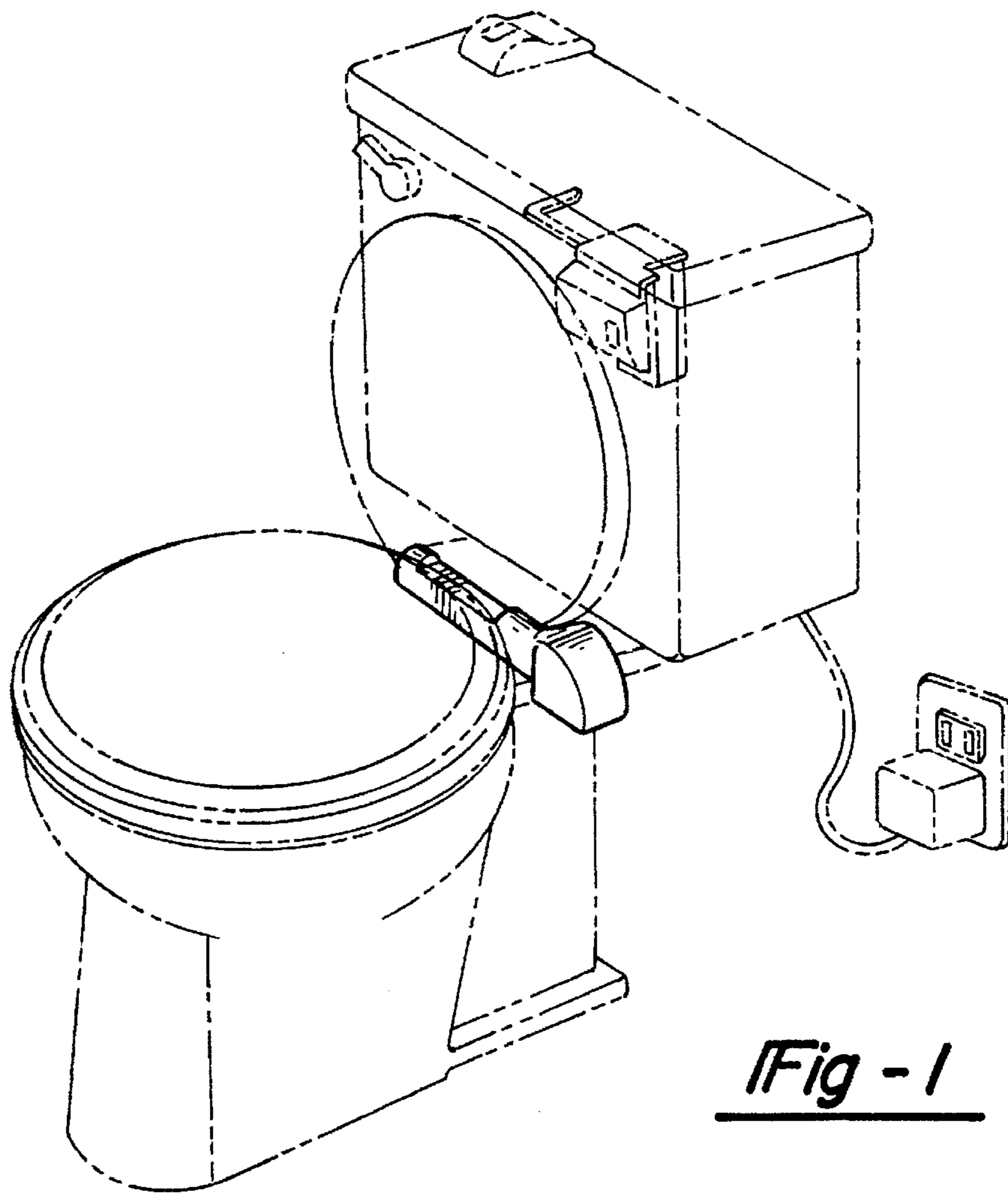


Fig - 1

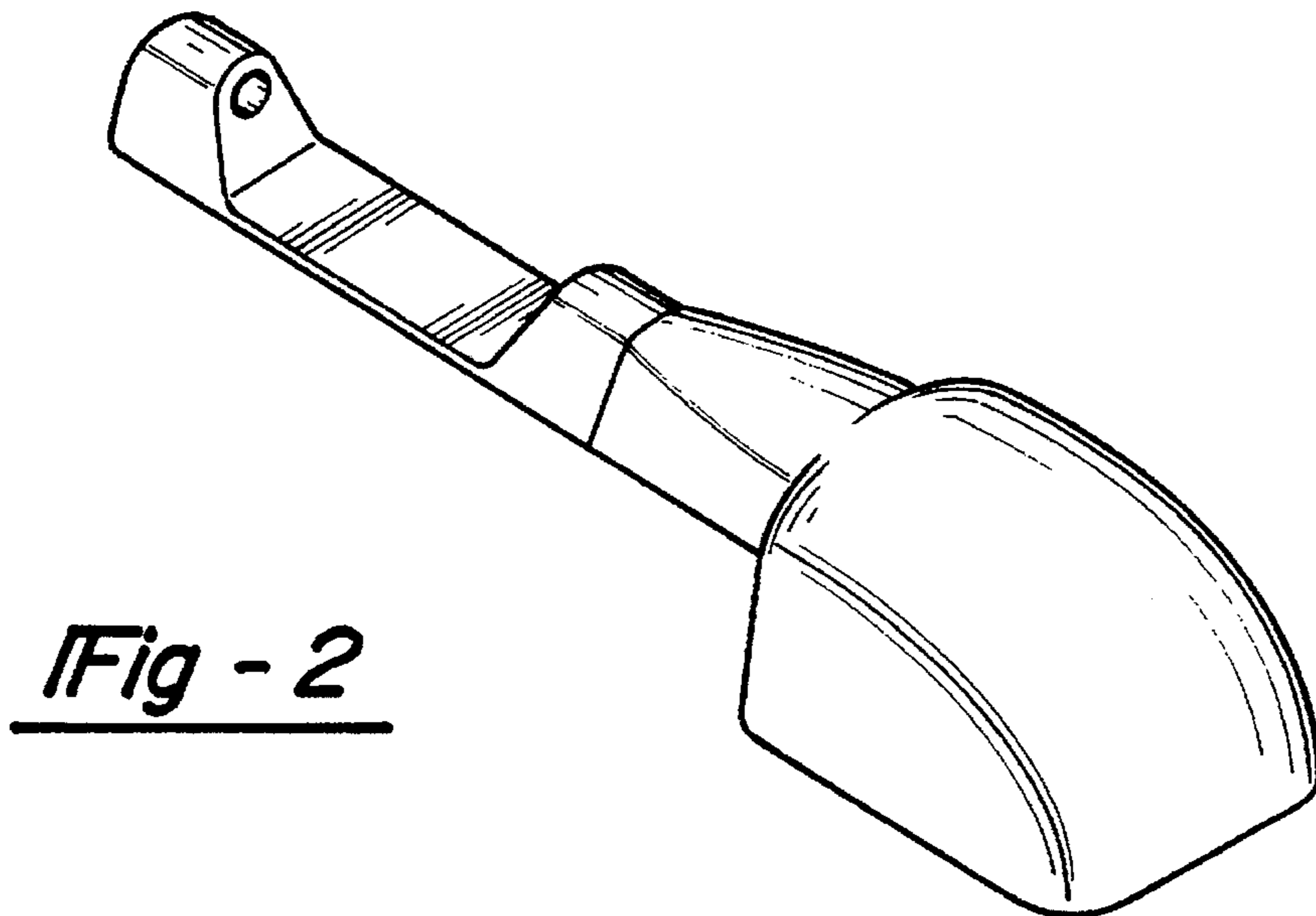


Fig - 2

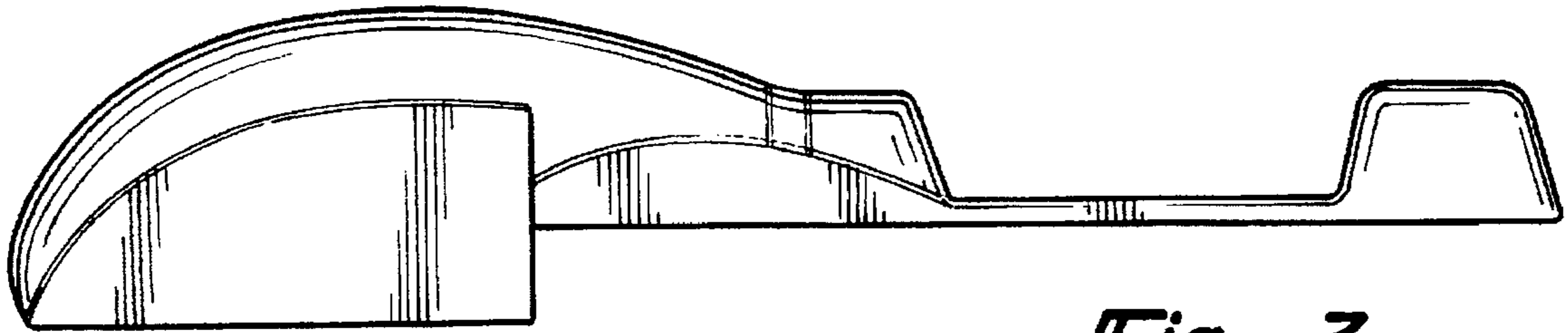


Fig - 3

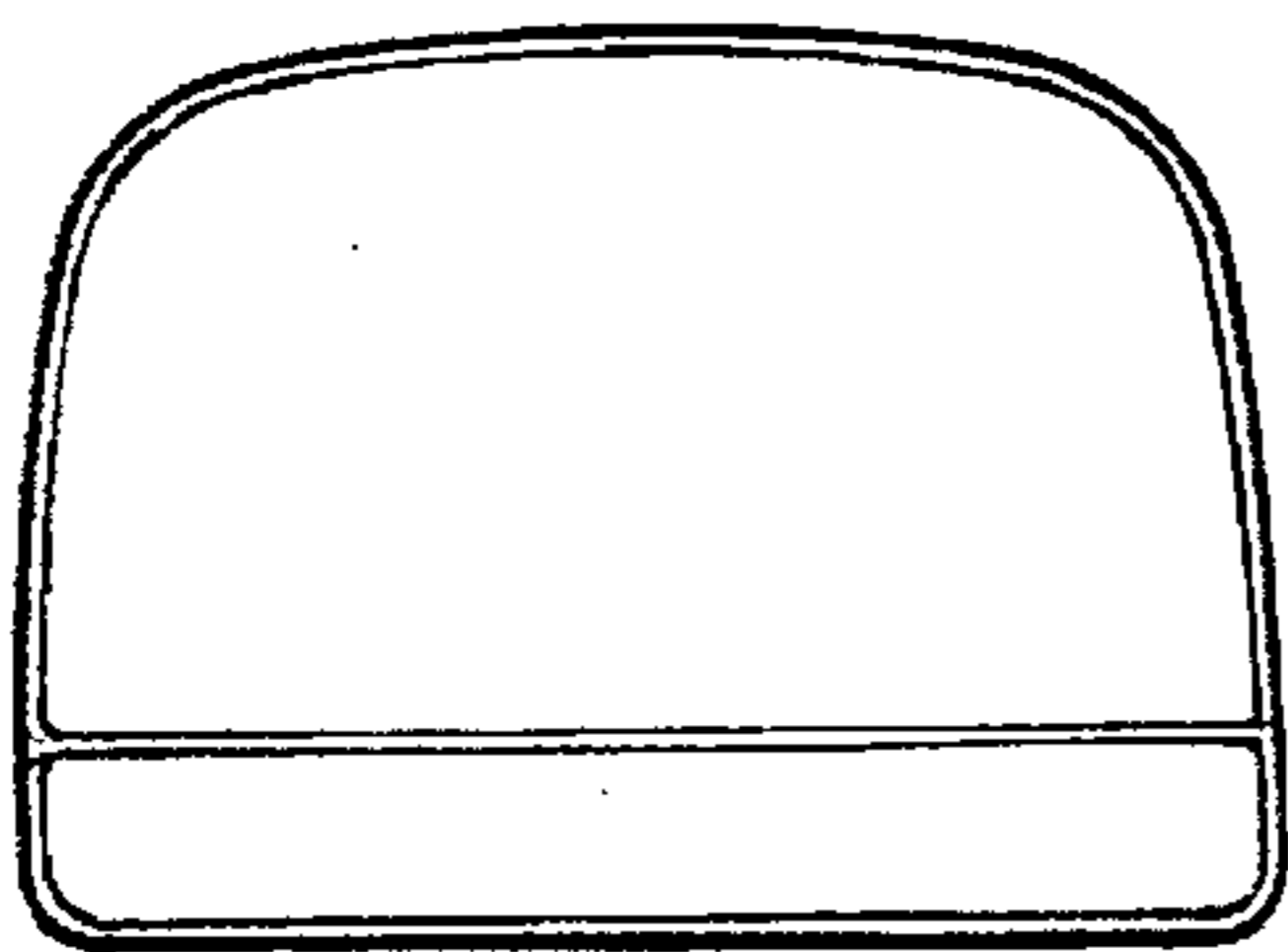


Fig - 4

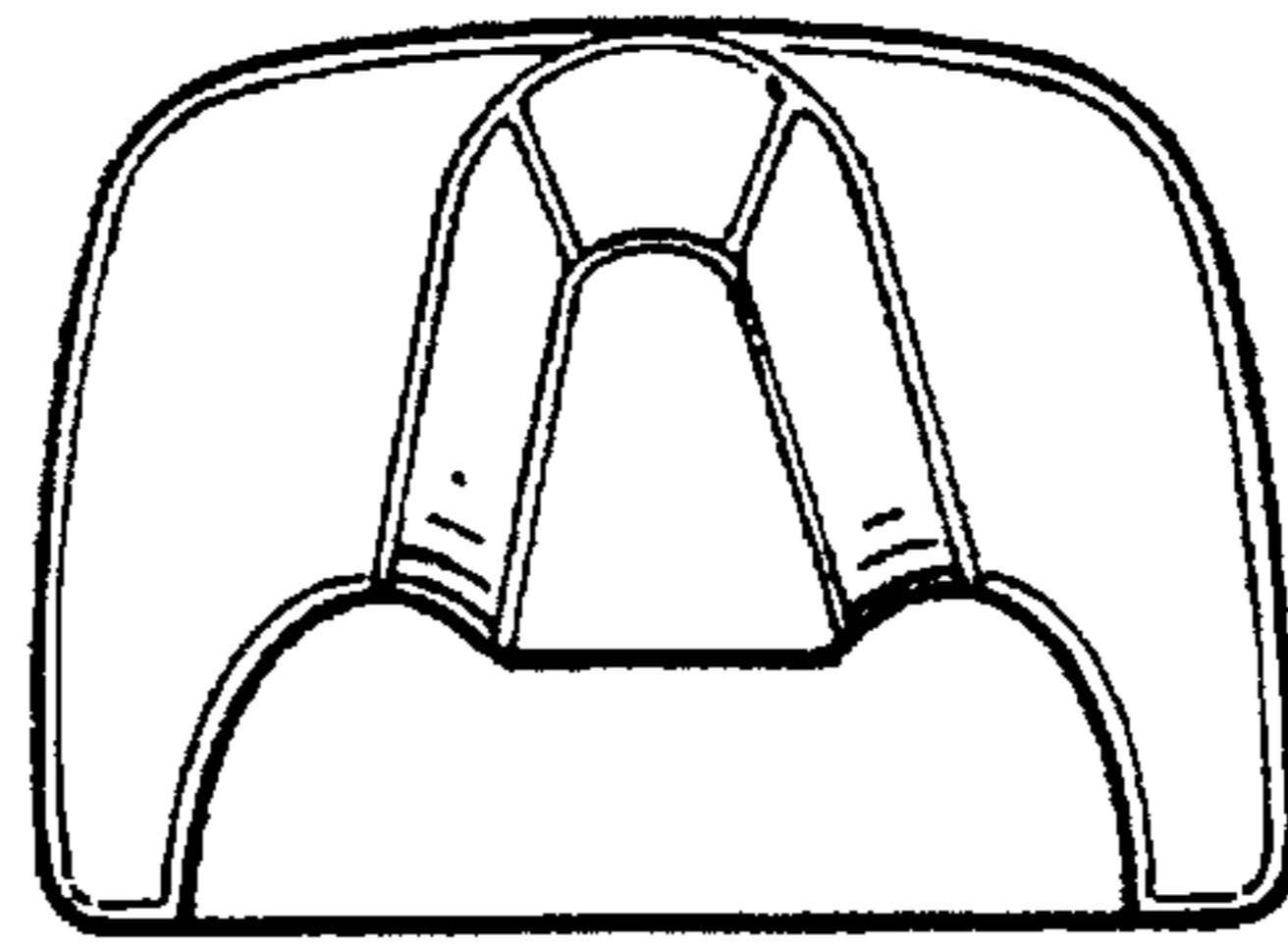


Fig - 5

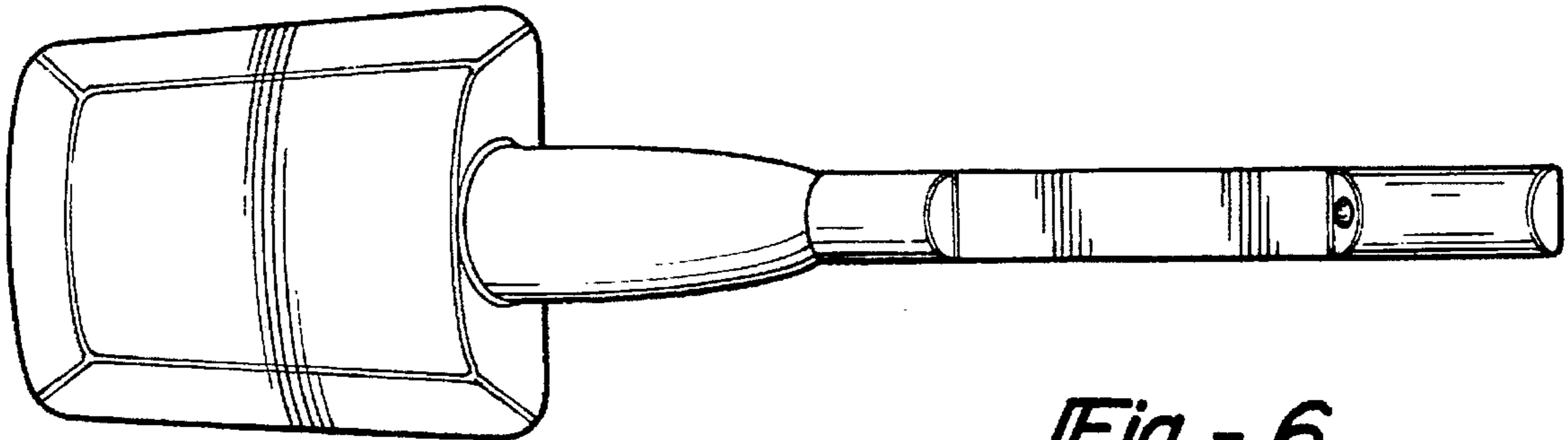


Fig - 6

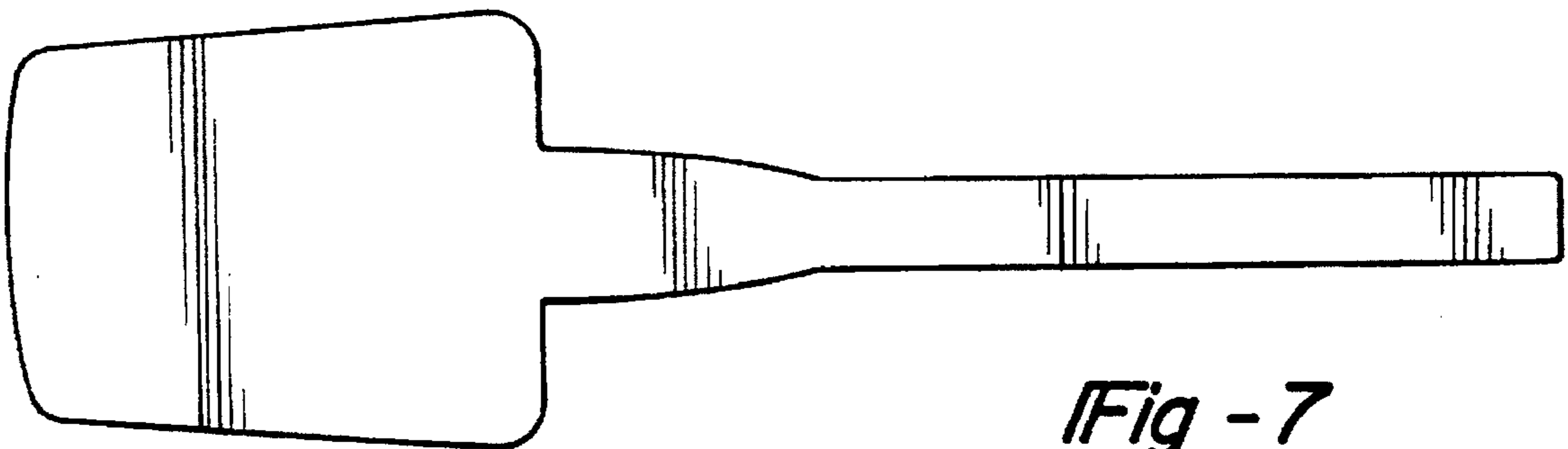


Fig - 7