



US00D380813S

United States Patent [19]

Motz et al.

[11] Patent Number: **Des. 380,813**

[45] Date of Patent: ****Jul. 8, 1997**

[54] **PIPE CONNECTOR**

[75] Inventors: **Joseph E. Motz; Mark A. Heinlein**, both of Cincinnati; **James B. Goddard**, Powell; **Carl Tyner**, Hamilton, all of Ohio

[73] Assignees: **The Motz Group**, Cinti; **Advanced Drainage Systems, Inc.**, Cincinnati, both of Ohio

[**] Term: **14 Years**

[21] Appl. No.: **43,388**

[22] Filed: **Aug. 29, 1995**

[51] LOC (6) Cl. **23-01**

[52] U.S. Cl. **D23/265; D23/262**

[58] Field of Search **D23/262, 263, D23/265, 266; 285/5, 150, 156, 903; 405/47, 51**

[56] **References Cited**

U.S. PATENT DOCUMENTS

D. 235,101	5/1975	Maroschak	D23/266
D. 291,112	7/1987	Clivio et al.	D23/235 X
D. 309,007	7/1990	Tyson	D23/262
3,695,643	10/1972	Schmunk	285/156
3,908,385	9/1975	Daniel et al.	405/37
4,268,993	5/1981	Cunningham	47/58
4,293,237	10/1981	Robey et al.	405/39
4,904,113	2/1990	Goddard et al.	405/45

5,221,158	6/1993	Norsworthy	405/43
5,326,138	7/1994	Claes et al.	285/910 X
5,350,251	9/1994	Daniel	405/37
5,360,556	11/1994	Ball et al.	405/51 X

FOREIGN PATENT DOCUMENTS

437423	1/1971	Australia .	
0199598A3	4/1987	European Pat. Off. .	
2569434A1	2/1986	France .	
4017115A1	12/1990	Germany .	
189406	11/1983	Japan	405/51

Primary Examiner—Ted Shooman

Assistant Examiner—C. Tuttle

Attorney, Agent, or Firm—Wood, Herron and Evans, P.L.L.

[57] **CLAIM**

The ornamental design for a pipe connector, as shown and described.

DESCRIPTION

FIG. 1 is a perspective view of a pipe connector in accordance with the invention.

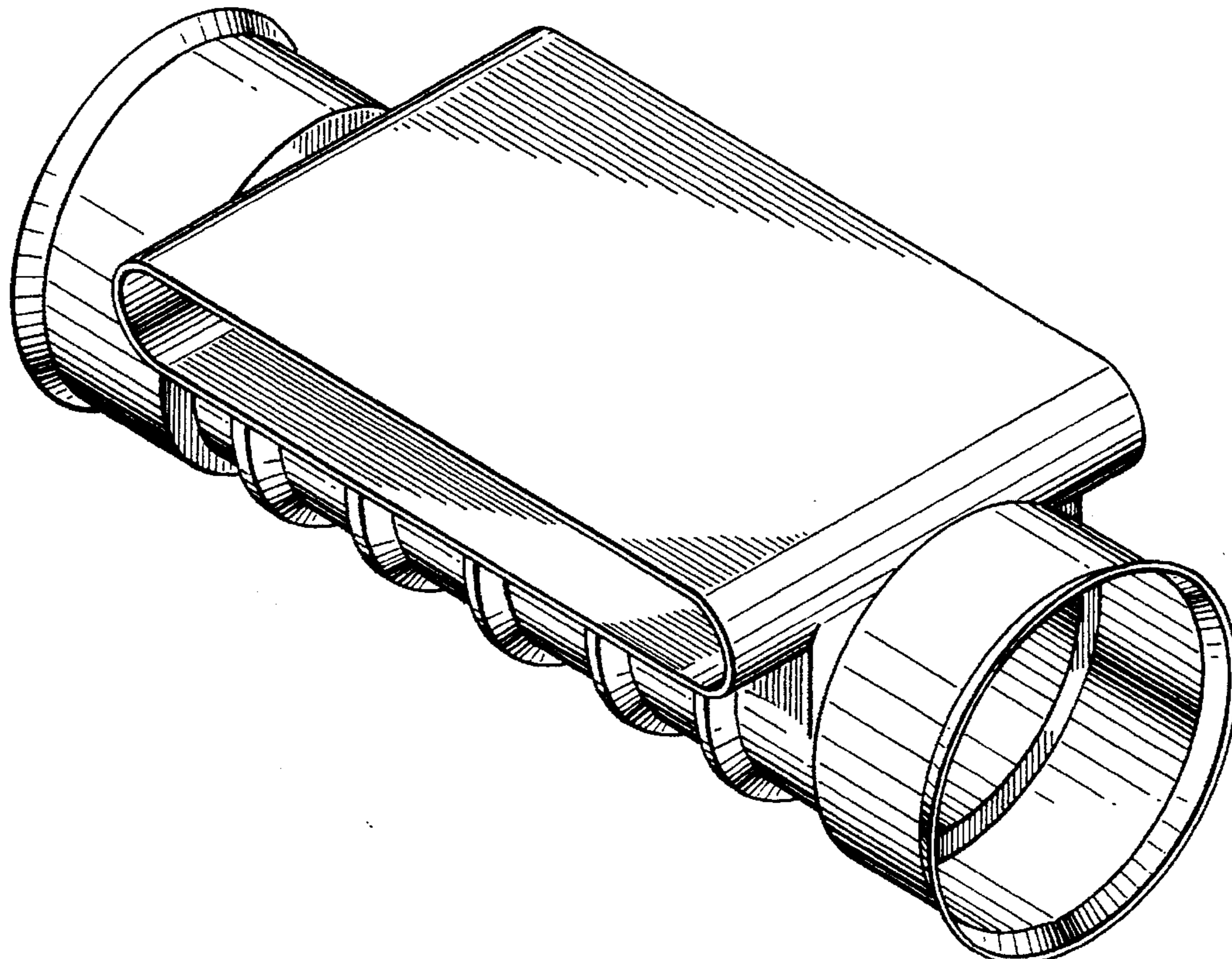
FIG. 2 is an end view of the pipe connector shown in FIG. 1; the end opposite appearing the same;

FIG. 3 is a side view of the pipe connector shown in FIG. 1, the side opposite appearing the same;

FIG. 4 is a bottom plan view of the pipe connector shown in FIG. 1; and,

FIG. 5 is a top plan view of the pipe connector shown in FIG. 1.

1 Claim, 2 Drawing Sheets



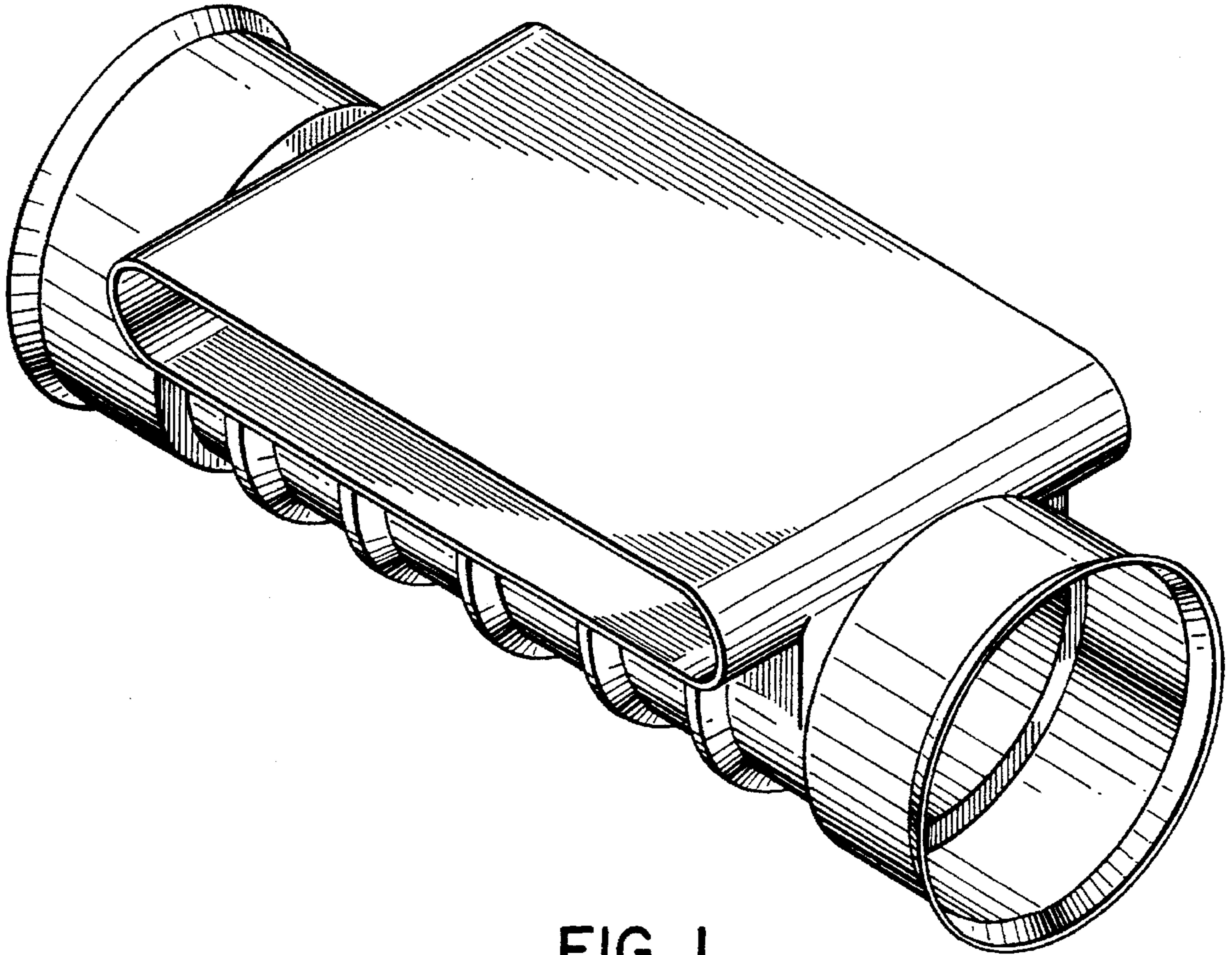


FIG. 1

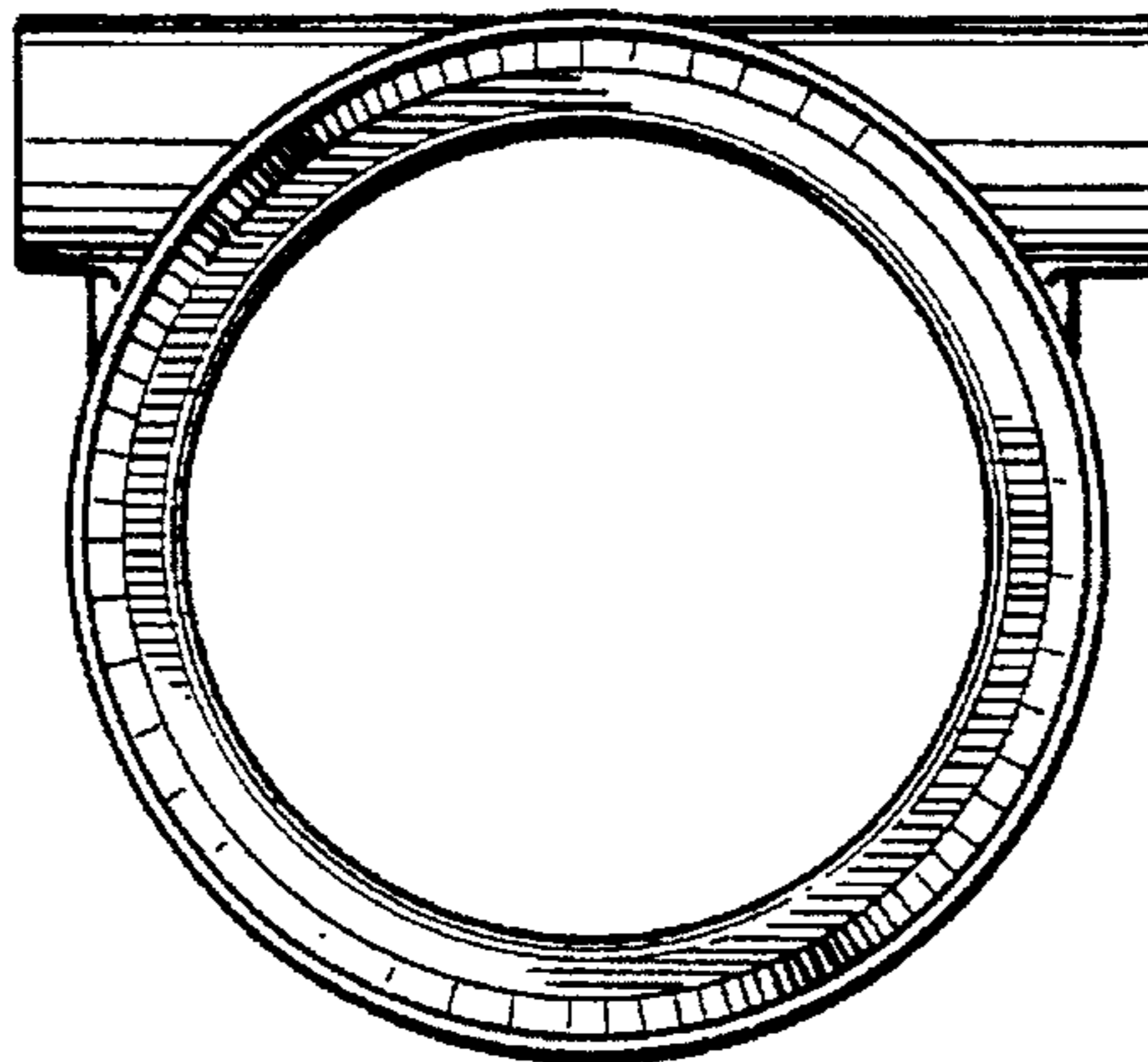


FIG. 2

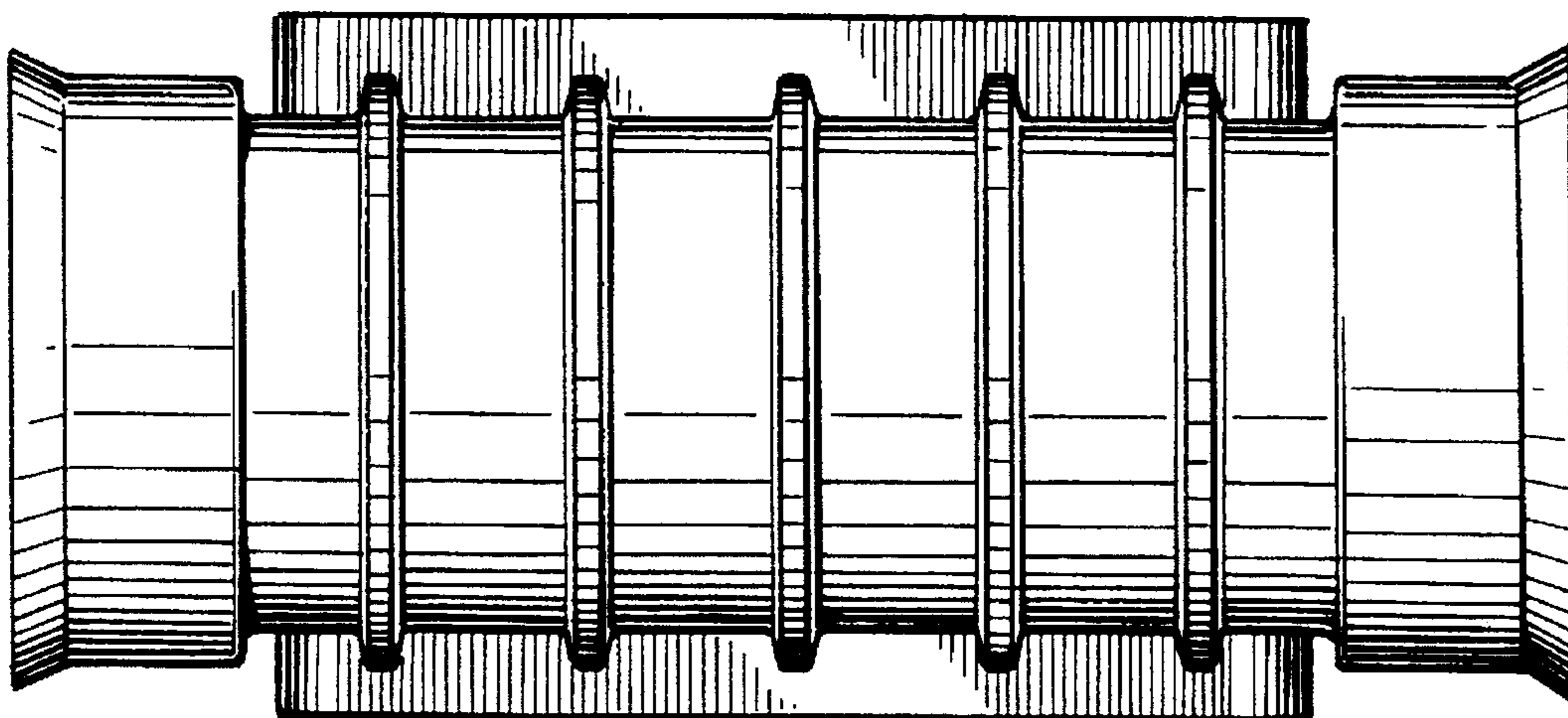


FIG. 4

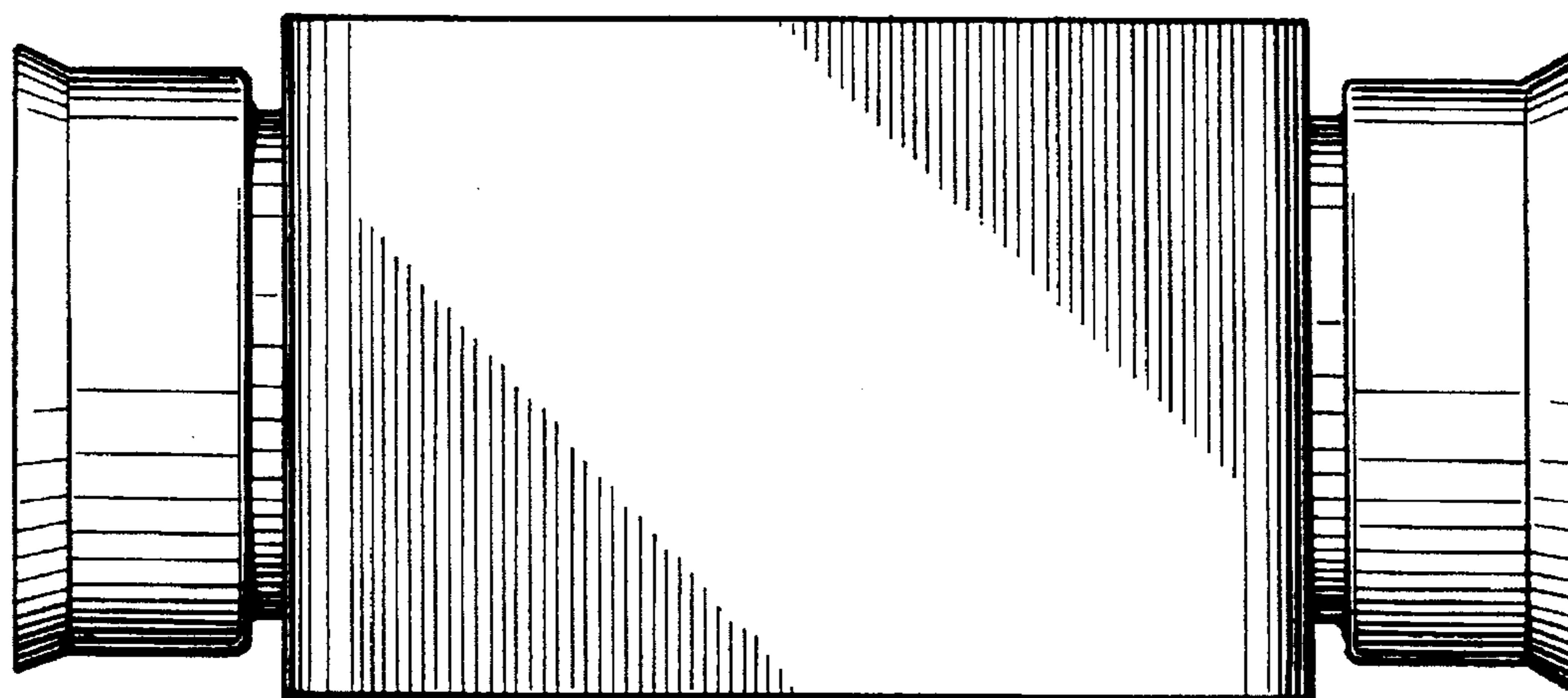


FIG. 5

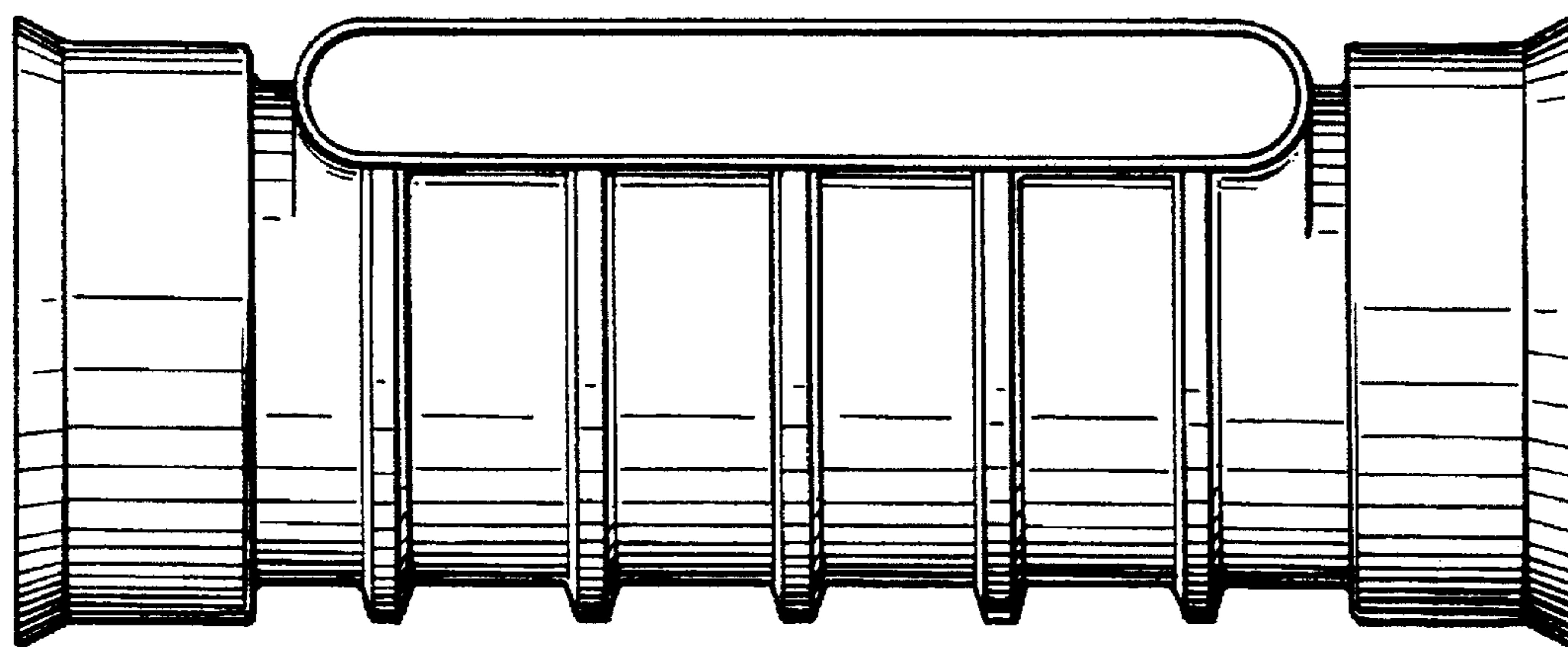


FIG. 3