



US00D380811S

United States Patent [19] Gottwald

[11] Patent Number: **Des. 380,811**

[45] Date of Patent: *****Jul. 8, 1997**

[54] **WASHING TABLE FAUCET**

[75] Inventor: **Adolf Gottwald**, Iserlohn, Germany

[73] Assignee: **Friedrich Grohe Aktiengesellschaft**,
Hemer, Germany

[*] Notice: The portion of the term of this patent subsequent to Jan. 28, 2011, has been disclaimed.

[**] Term: **14 Years**

[21] Appl. No.: **43,365**

[22] Filed: **Aug. 25, 1995**

[30] **Foreign Application Priority Data**

Feb. 27, 1995 [DE] Germany 95 01 629.5

[51] LOC (6) Cl. **23-01**

[52] U.S. Cl. **D23/243**

[58] Field of Search D23/238-243,
D23/250-257; 4/675-678; 137/801

[56] **References Cited**

U.S. PATENT DOCUMENTS

D. 253,607 12/1979 Hans D23/238

D. 291,232	8/1987	Hans et al.	D23/238
D. 324,904	3/1992	Hans et al.	D23/238
D. 350,388	9/1994	Gottwald	D23/238
D. 353,650	12/1994	Hans et al.	D23/238
D. 360,678	7/1995	Mine	D23/238

Primary Examiner—Louis S. Zarfes
Assistant Examiner—Eric Watterson
Attorney, Agent, or Firm—Herbert Dubno

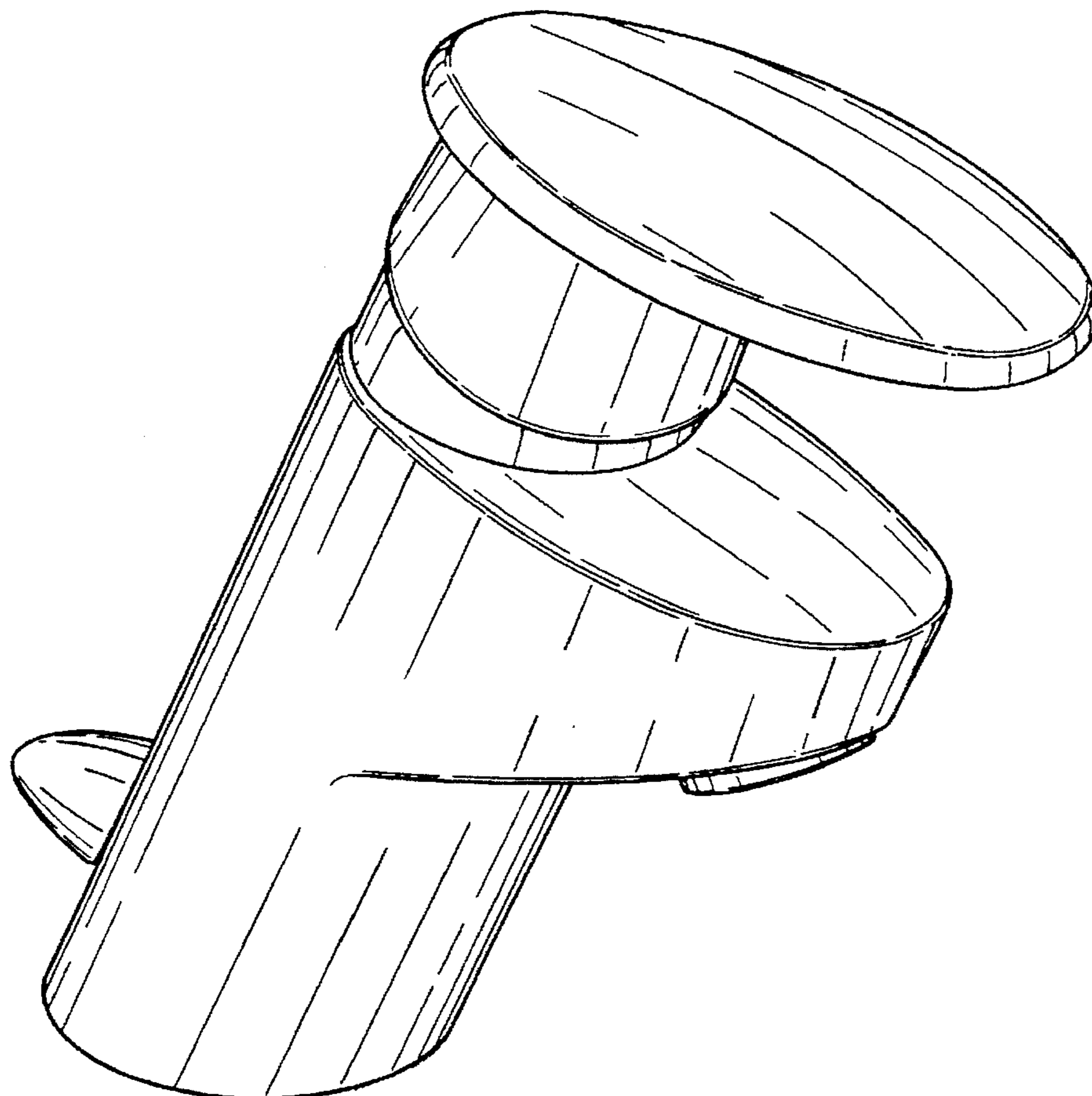
[57] **CLAIM**

The ornamental design for a washing table faucet, as shown and described.

DESCRIPTION

FIG. 1 is a top, front, left-side perspective view of a washing table faucet showing my new design;
FIG. 2 is a top view thereof;
FIG. 3 is a left side elevational view thereof, the right side view being mirror symmetrical;
FIG. 4 is a bottom view thereof;
FIG. 5 is a rear view thereof; and,
FIG. 6 is a front view thereof.

1 Claim, 3 Drawing Sheets



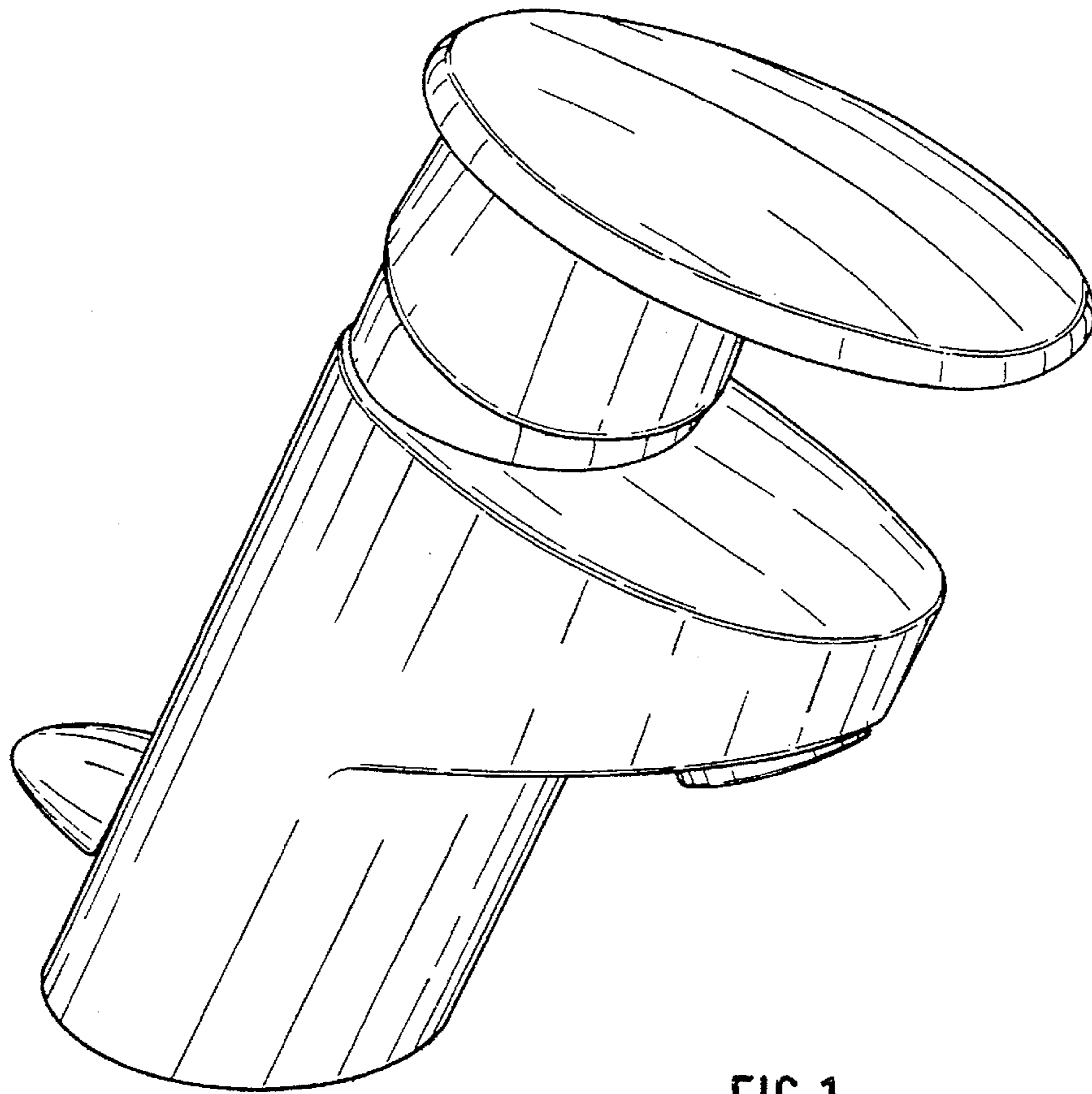


FIG. 1

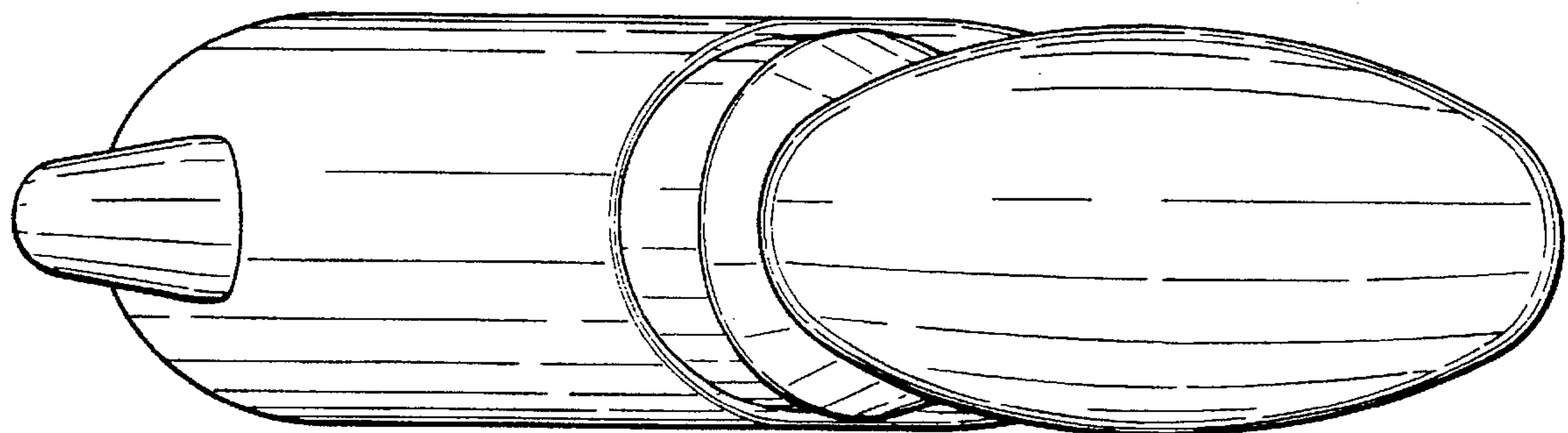


FIG. 2

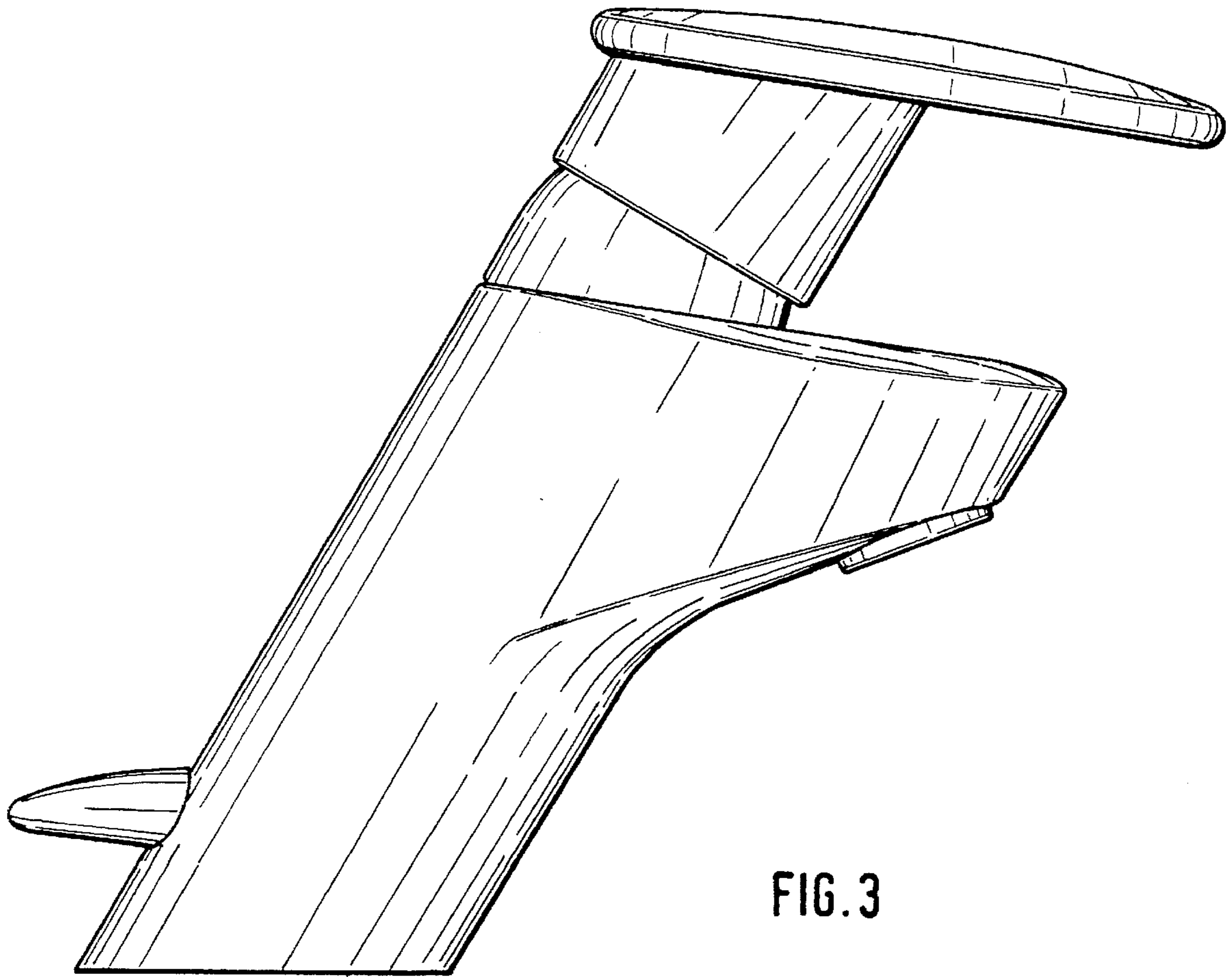


FIG. 3

FIG. 4

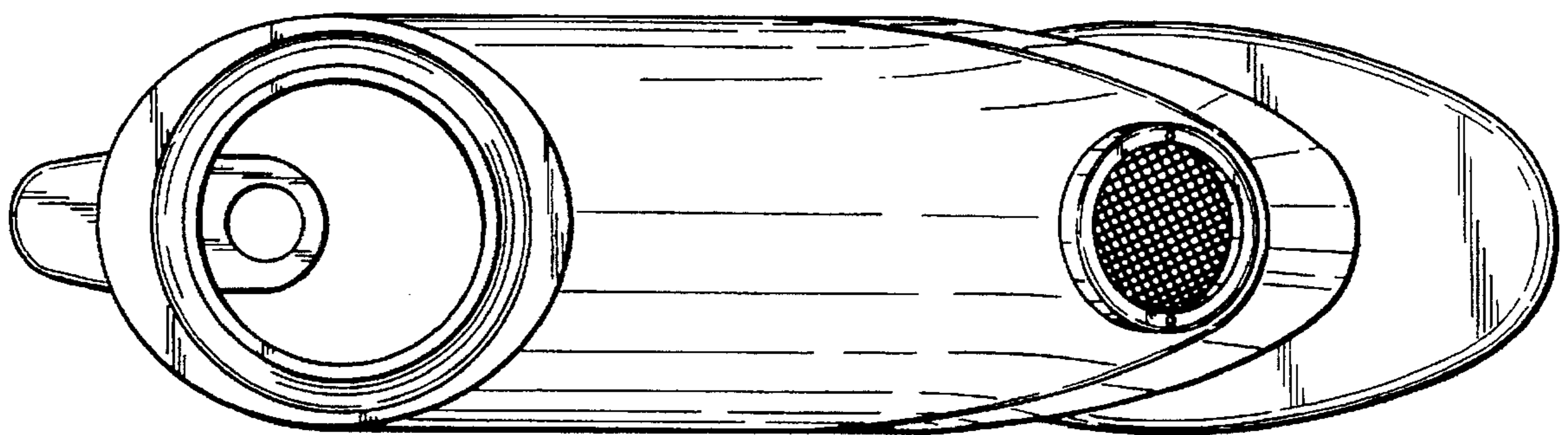


FIG. 5

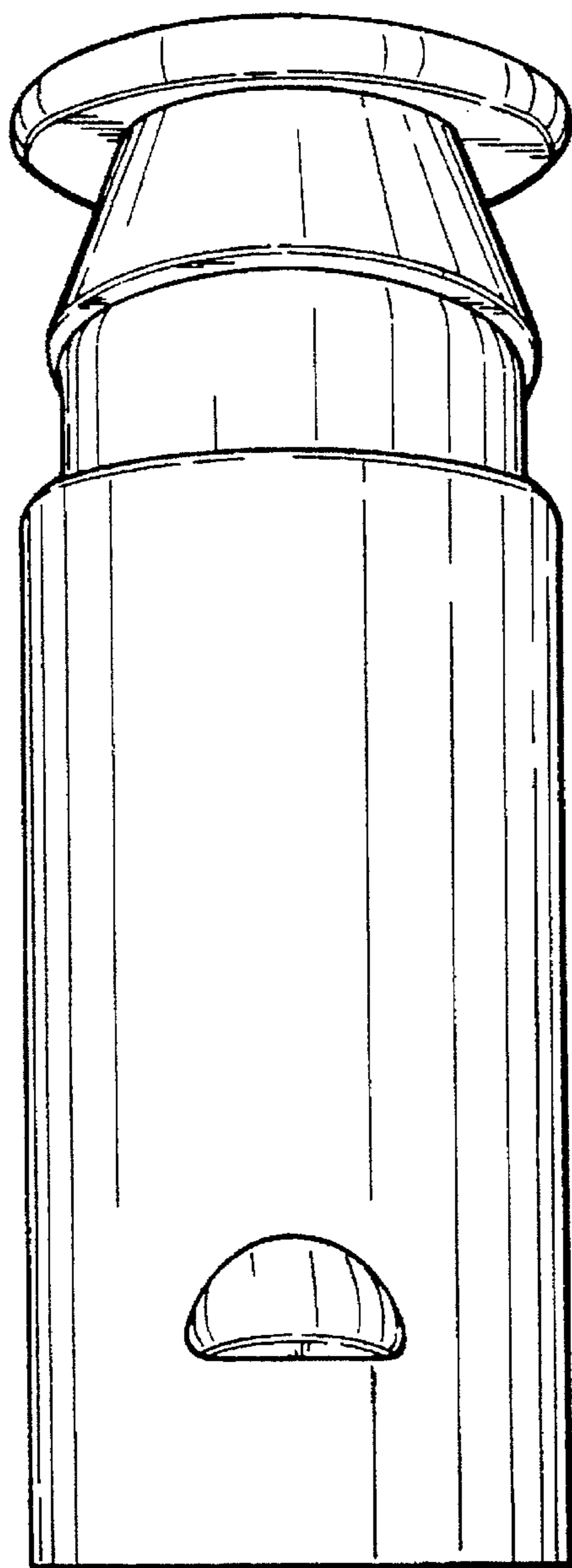


FIG. 6

