



US00D380809S

**United States Patent** [19]  
**Warshawsky**

[11] **Patent Number:** **Des. 380,809**  
[45] **Date of Patent:** **\*\*Jul. 8, 1997**

[54] **SPRAY FAUCET**

[75] **Inventor:** **Jerome Warshawsky**, Hewlett Harbor, N.Y.

[73] **Assignee:** **I. W. Industries, Inc.**, Melville, N.Y.

[\*\*] **Term:** **14 Years**

[21] **Appl. No.:** **56,356**

[22] **Filed:** **Jun. 27, 1996**

[51] **LOC (6) Cl.** ..... **23-01**

[52] **U.S. Cl.** ..... **D23/238**

[58] **Field of Search** ..... **D23/238-243,**  
**D23/250-257; 4/675-678; 137/801**

[56] **References Cited**

**U.S. PATENT DOCUMENTS**

- D. 291,232 8/1987 Hans et al. .... D23/238
- D. 313,836 1/1991 Knapp ..... D23/238

- D. 324,905 3/1992 Chretien ..... D23/238
- D. 344,127 2/1994 Carr et al. .... D23/238
- D. 355,955 2/1995 Chretien ..... D23/238

*Primary Examiner*—Stella Reid  
*Assistant Examiner*—Eric Watterson  
*Attorney, Agent, or Firm*—Alfred M. Walker

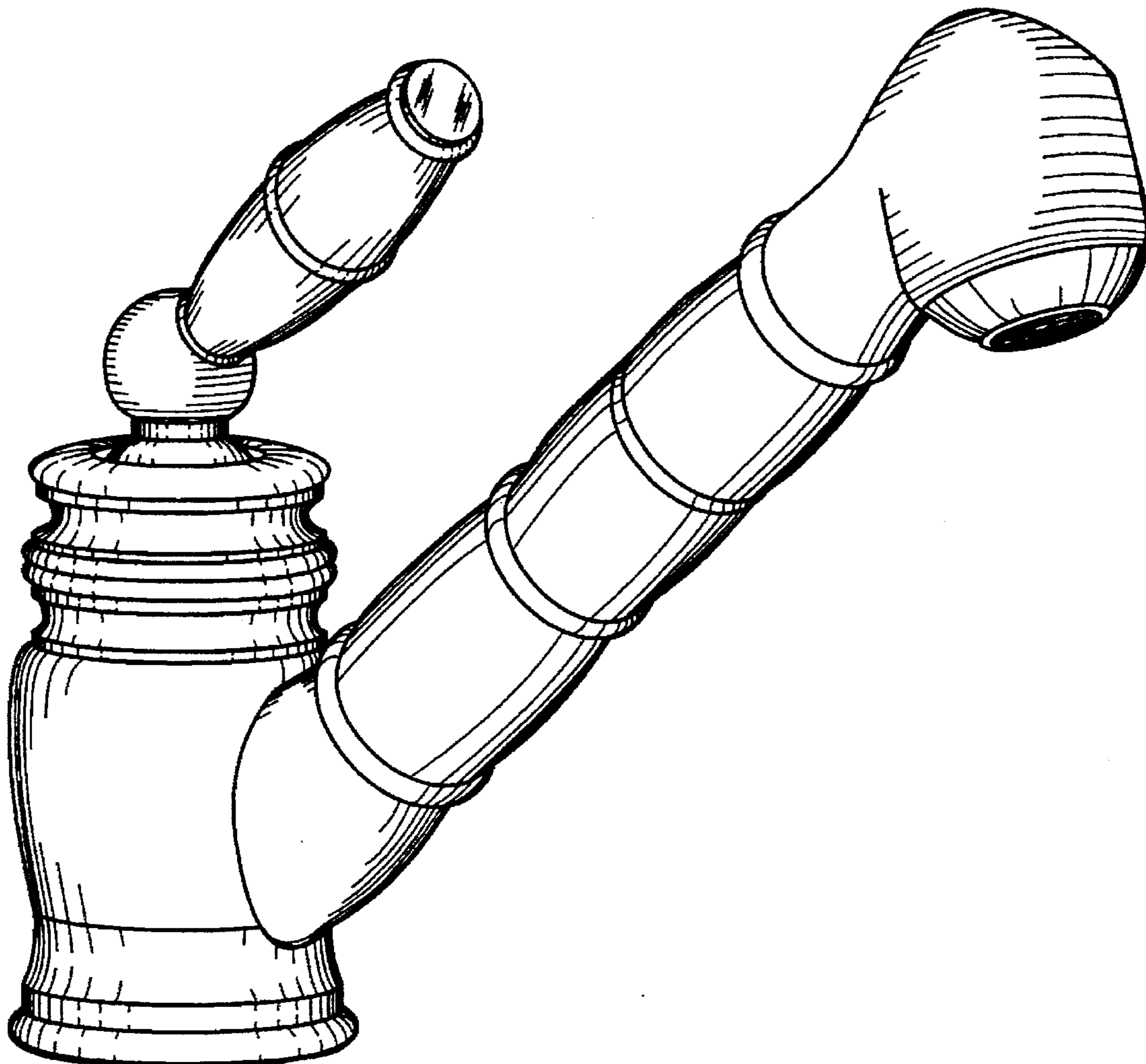
[57] **CLAIM**

The ornamental design for a spray faucet, as shown and described.

**DESCRIPTION**

FIG. 1 is a perspective view of a spray faucet, showing my new design;  
FIG. 2 is a right side elevational view thereof;  
FIG. 3 is a left side elevational view thereof;  
FIG. 4 is a front view thereof; and,  
FIG. 5 is a rear view thereof.

**1 Claim, 3 Drawing Sheets**



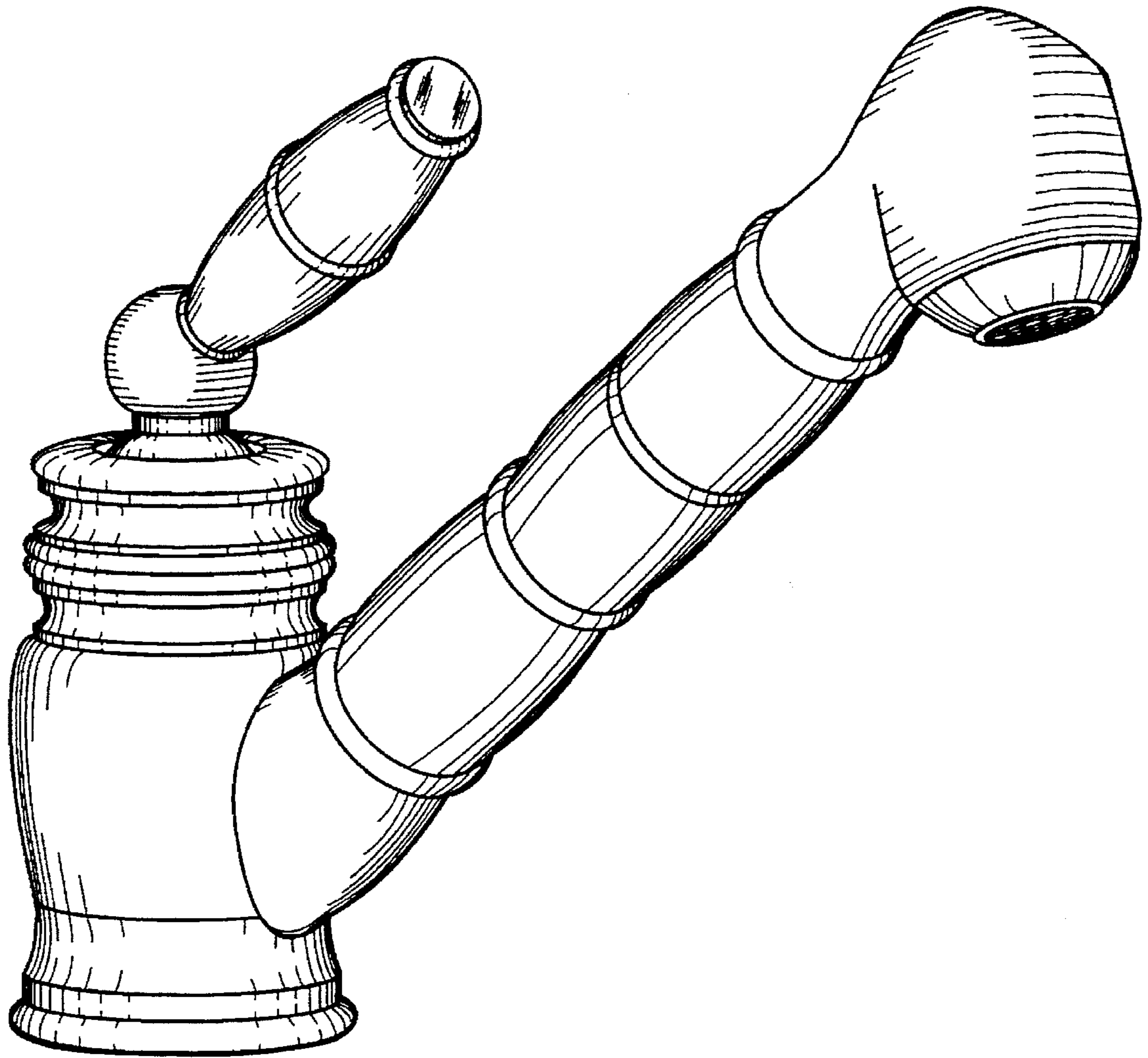


FIG. 1

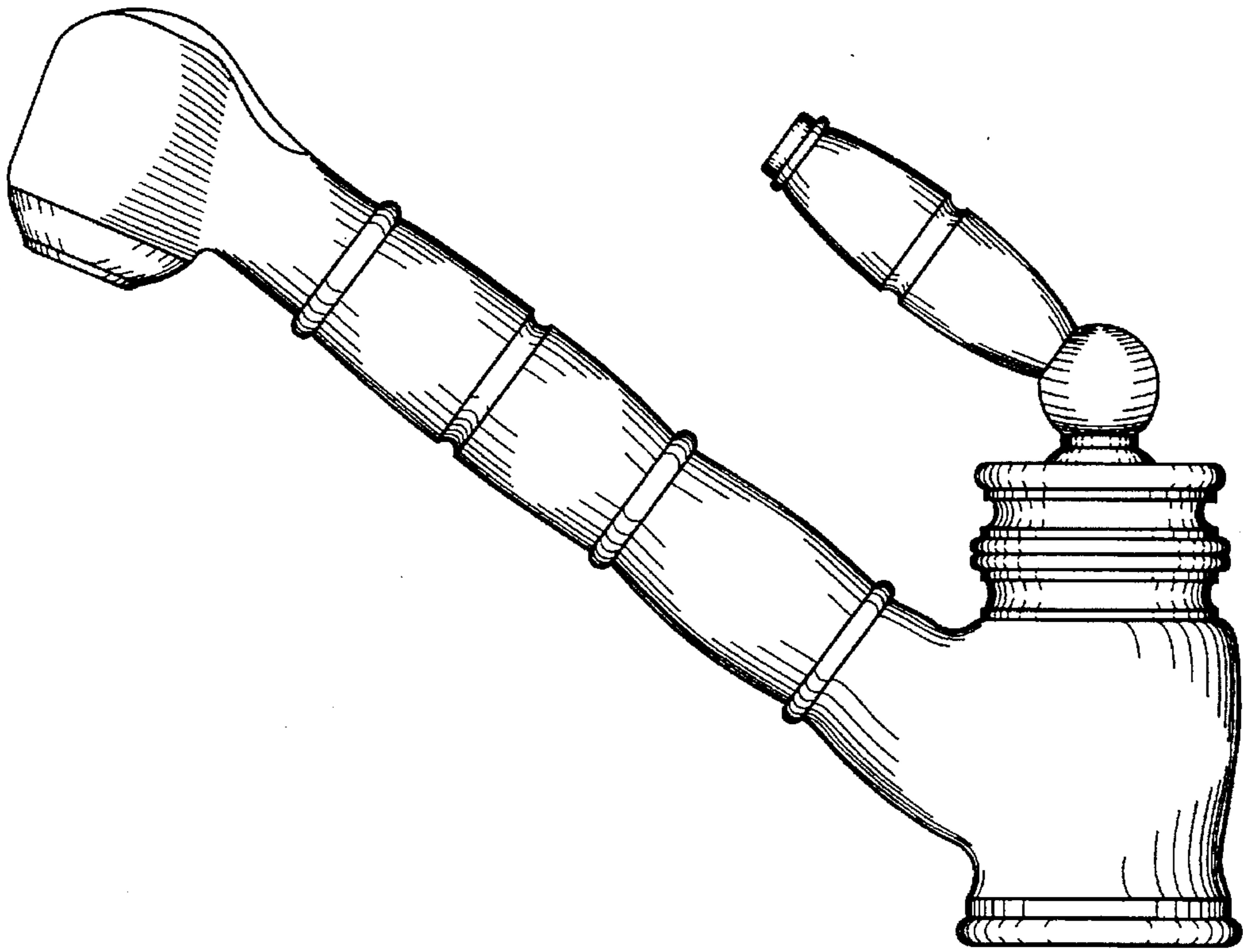


FIG. 2

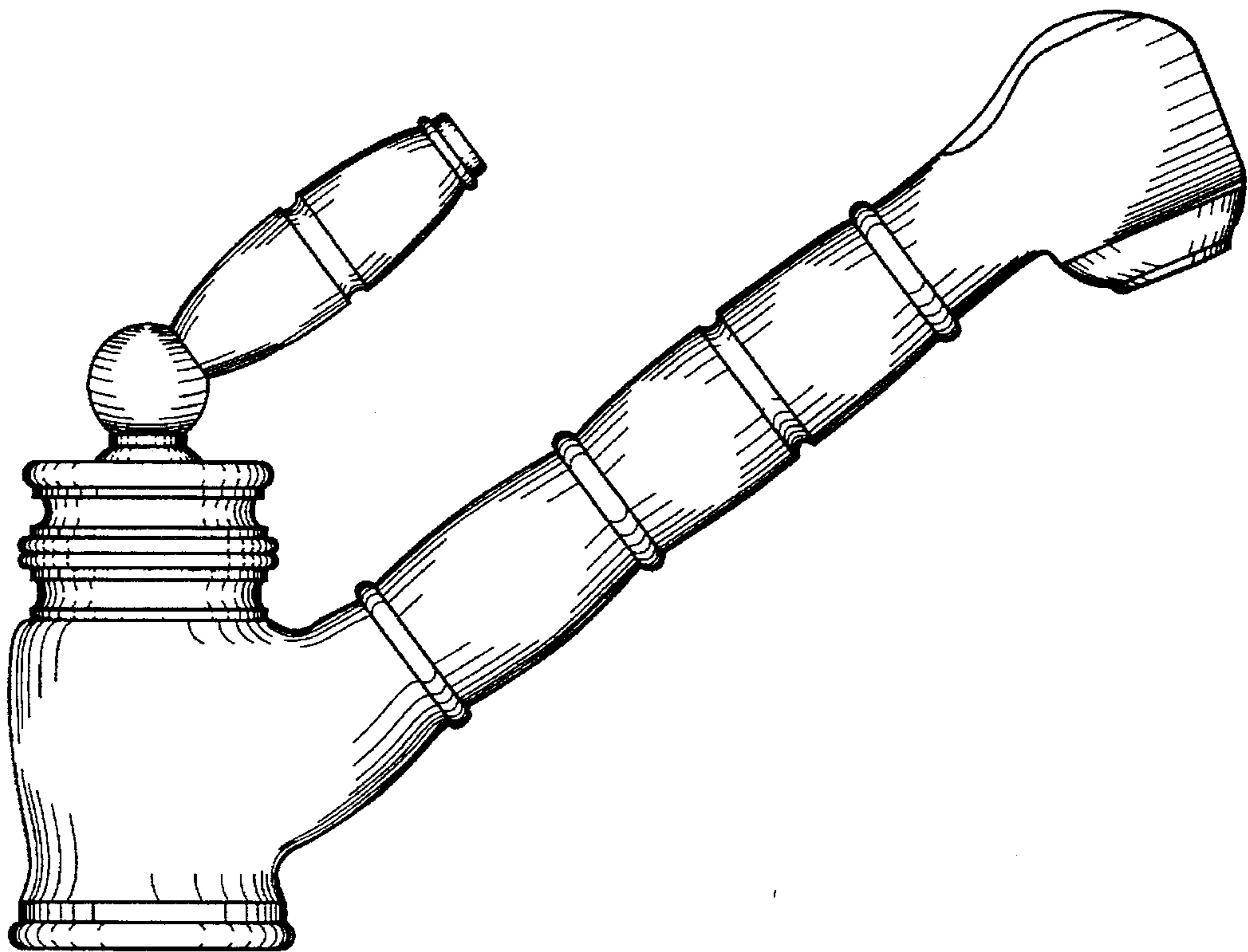


FIG. 3

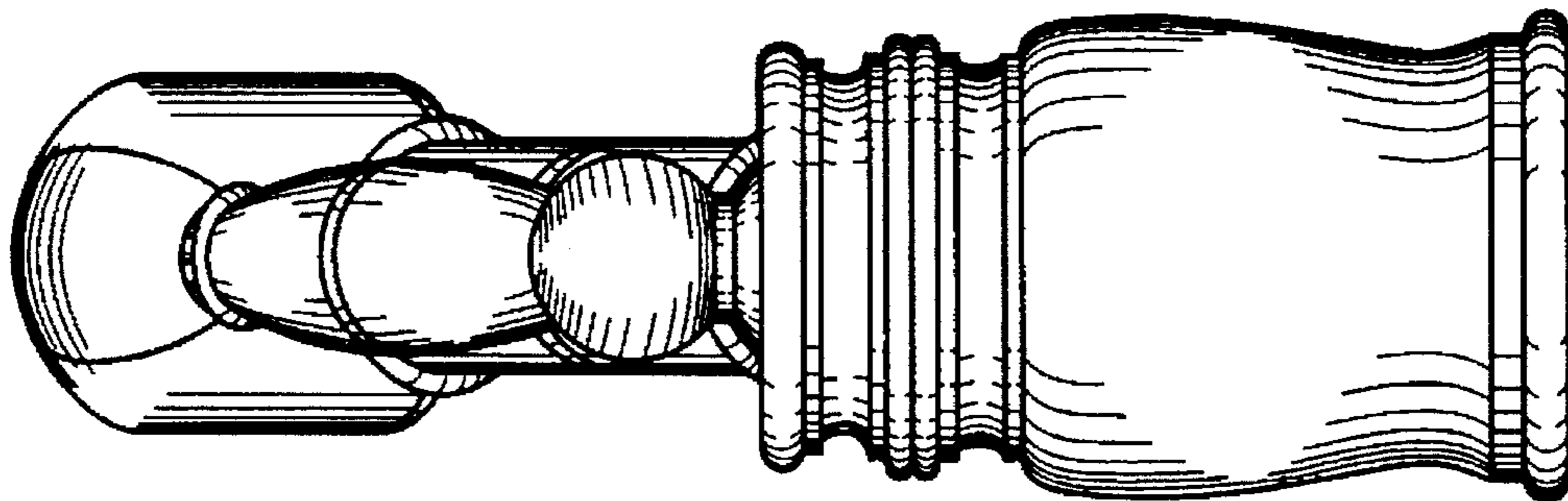


FIG. 5

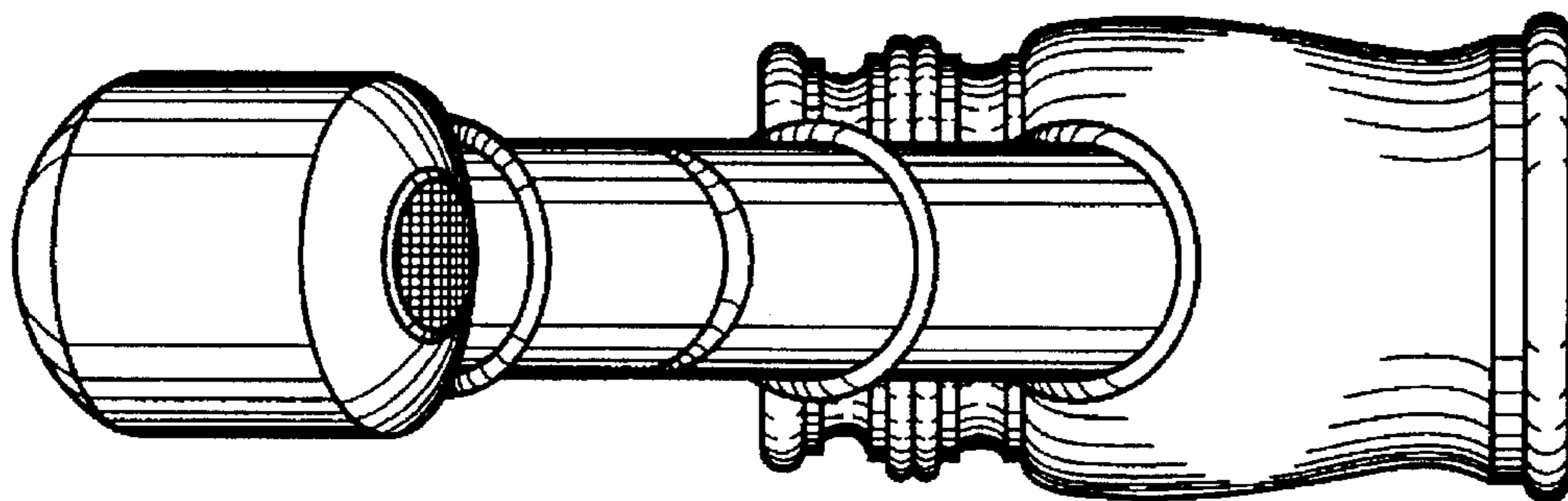


FIG. 4