



US00D380807S

United States Patent [19]
Dorset-Turner

[11] **Patent Number:** **Des. 380,807**
[45] **Date of Patent:** ****Jul. 8, 1997**

[54] **SWIMMING POOL BACKWASHING DEVICE**

[76] **Inventor:** **Mitchel Dorset-Turner**, 7 Two Bays Road, Mount Eliza, Victoria 3930, Australia

[**] **Term:** **14 Years**

[21] **Appl. No.:** **31,131**

[22] **Filed:** **Nov. 18, 1994**

[51] **LOC (6) Cl.** **23-01**

[52] **U.S. Cl.** **D23/209; D23/210**

[58] **Field of Search** **D23/207-210; 210/108, 393-4, 333.1, 333.01, 411, 425, 169**

[56] **References Cited**

U.S. PATENT DOCUMENTS

| | | | | |
|------------|--------|------------|-------|---------|
| D. 305,682 | 1/1990 | Stromberg | | D23/209 |
| 5,100,541 | 3/1992 | Kullenbach | | 210/169 |
| 5,238,585 | 8/1993 | Reed | | 210/169 |

Primary Examiner—A. Hugo Word
Assistant Examiner—Robin V. Taylor

Attorney, Agent, or Firm—Harold H. Dutton, Jr.; W. Charles L. Jamison; Diane F. Liebman

[57] **CLAIM**

The ornamental design for a swimming pool backwashing device, as shown and described.

DESCRIPTION

FIG. 1 is a front elevational view of a swimming pool backwashing device showing my new design;
FIG. 2 is a rear elevational view thereof;
FIG. 3 is a top plan view thereof;
FIG. 4 is a bottom plan view thereof;
FIG. 5 is a left side view thereof;
FIG. 6 is a right side view thereof;
FIG. 7 is a close up view of the left side hose connection; and,
FIG. 8 is a close up view of the right side hose connection.
The broken line showing a hose is for illustrative purposes only and forms no part of the claimed design.

1 Claim, 4 Drawing Sheets

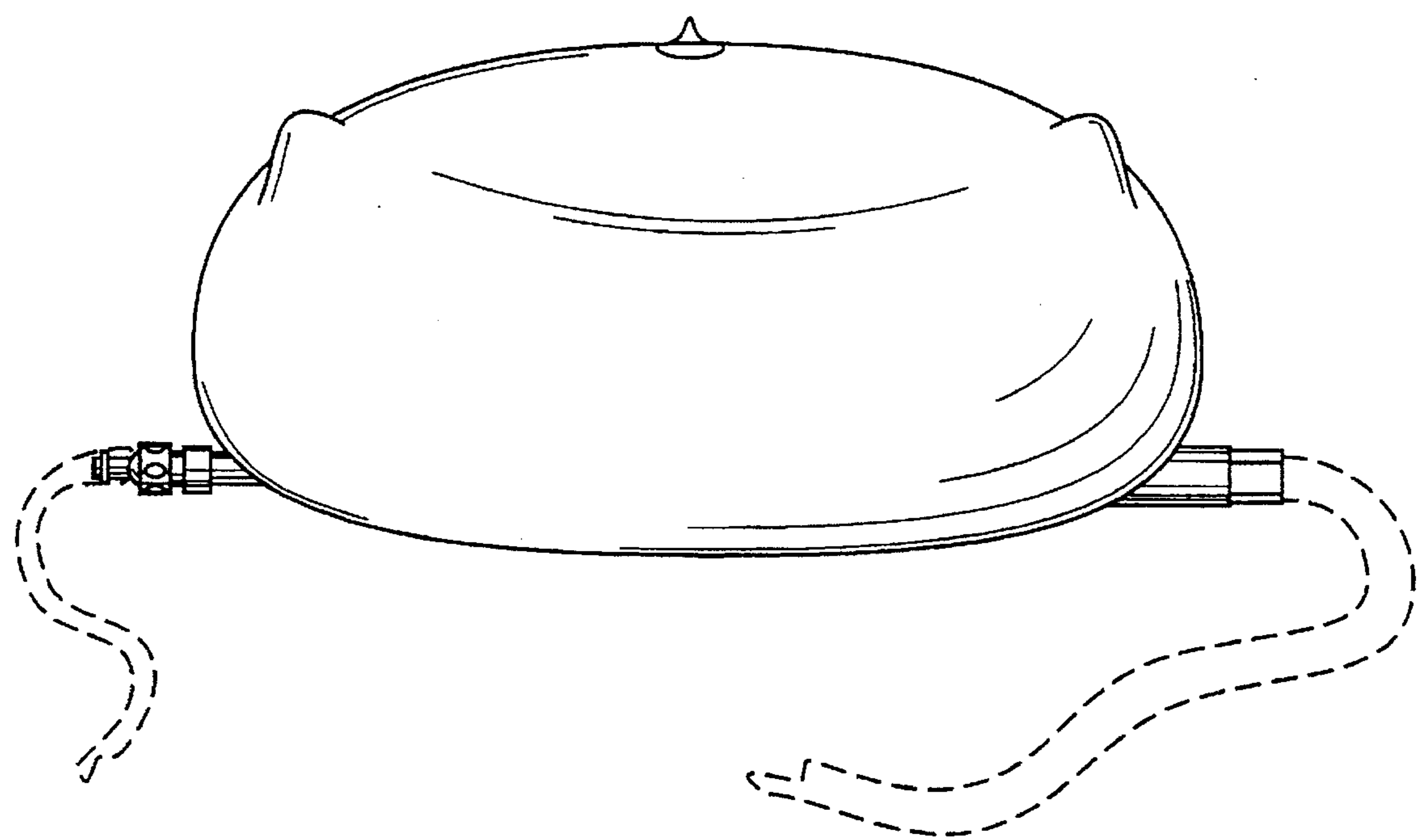


FIG. 1

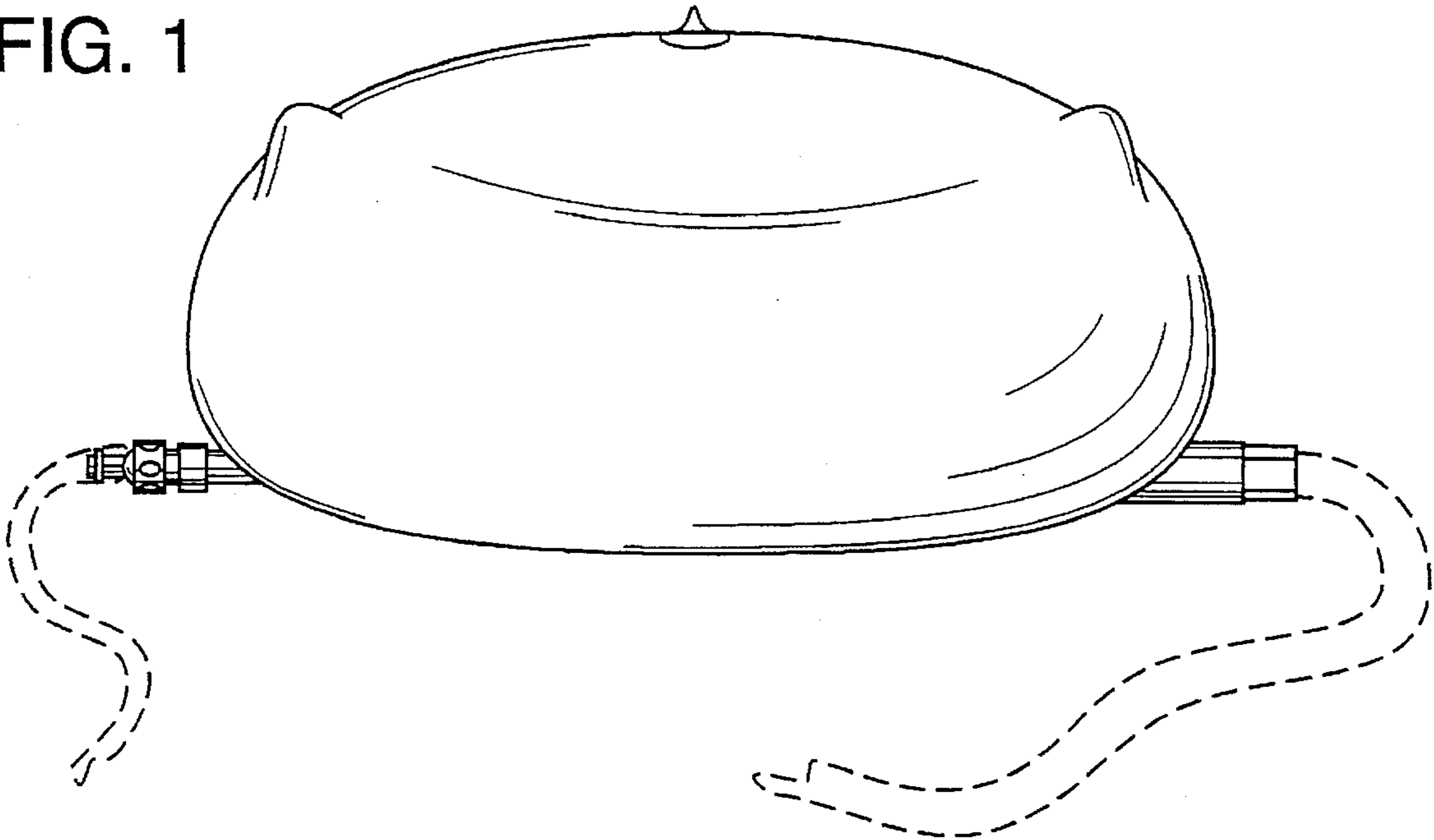


FIG. 2

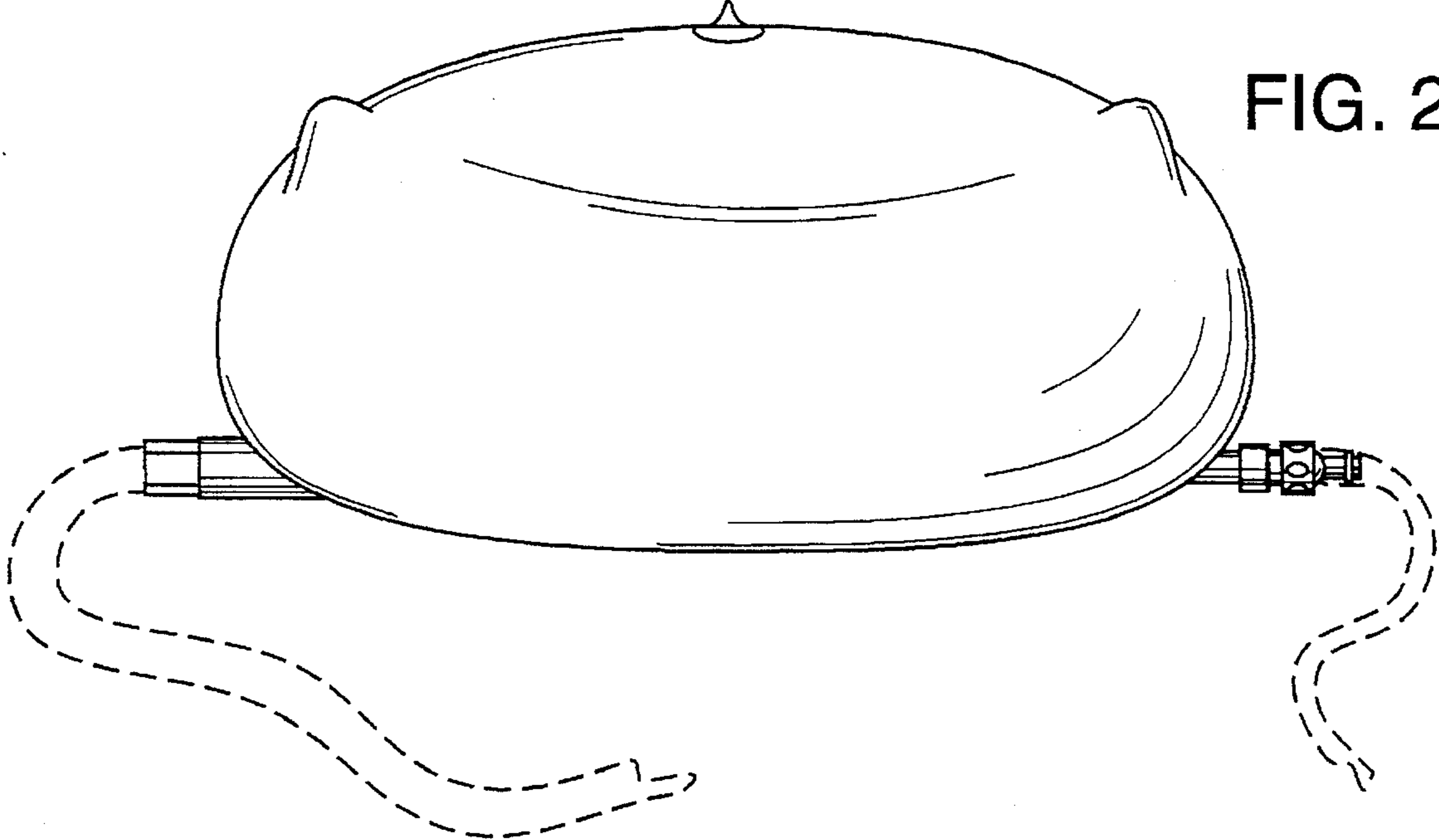


FIG. 3

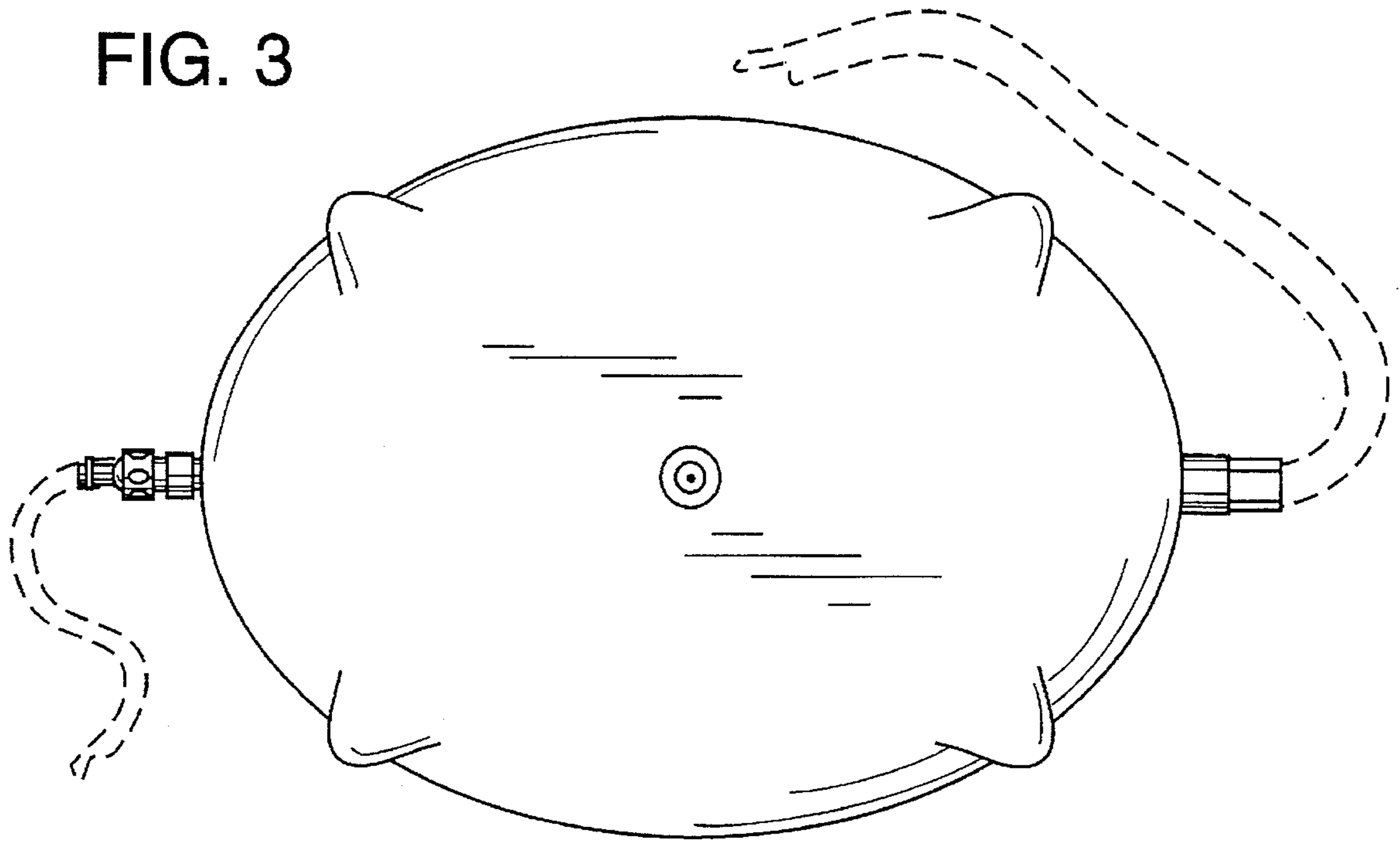
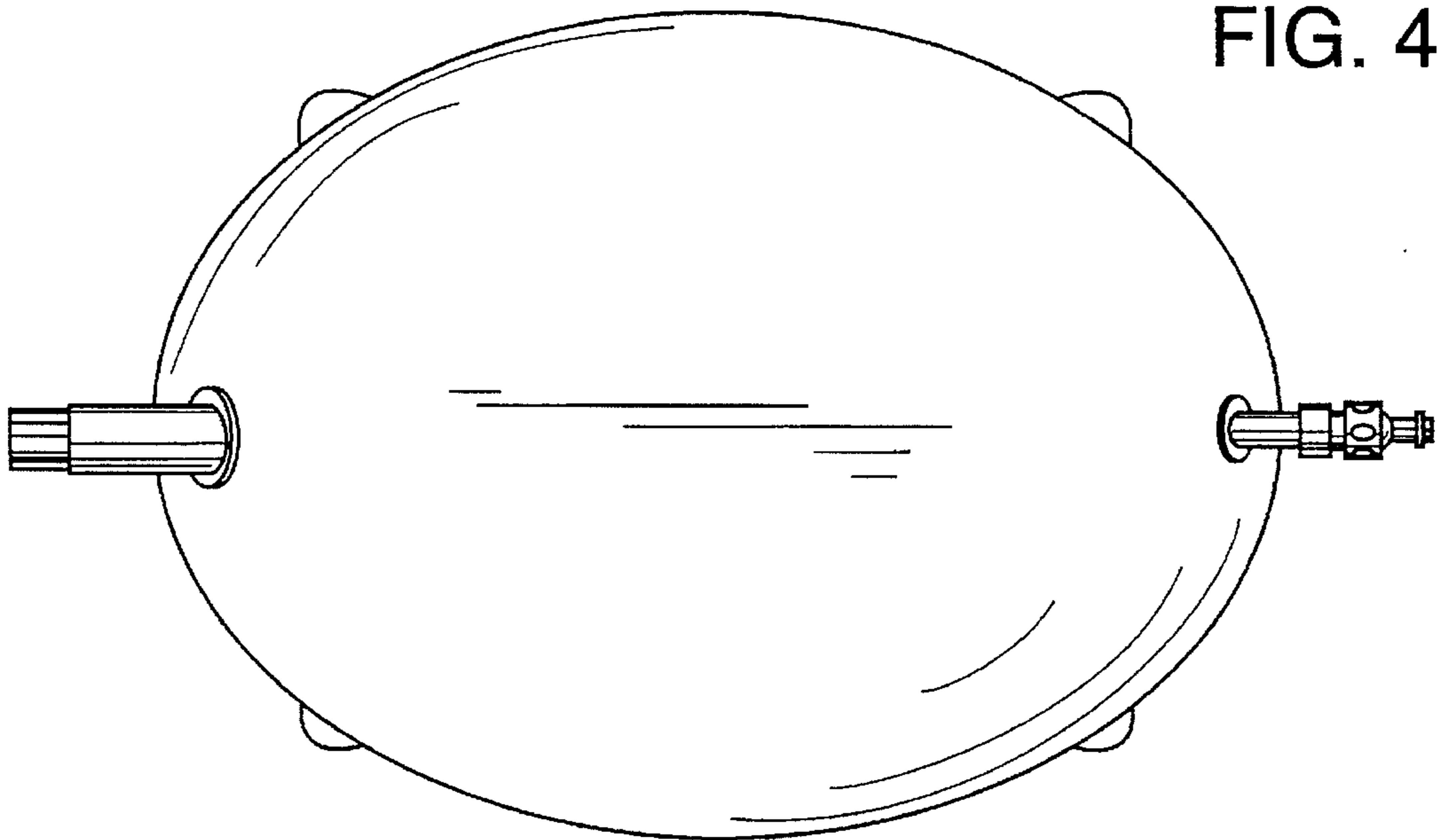


FIG. 4



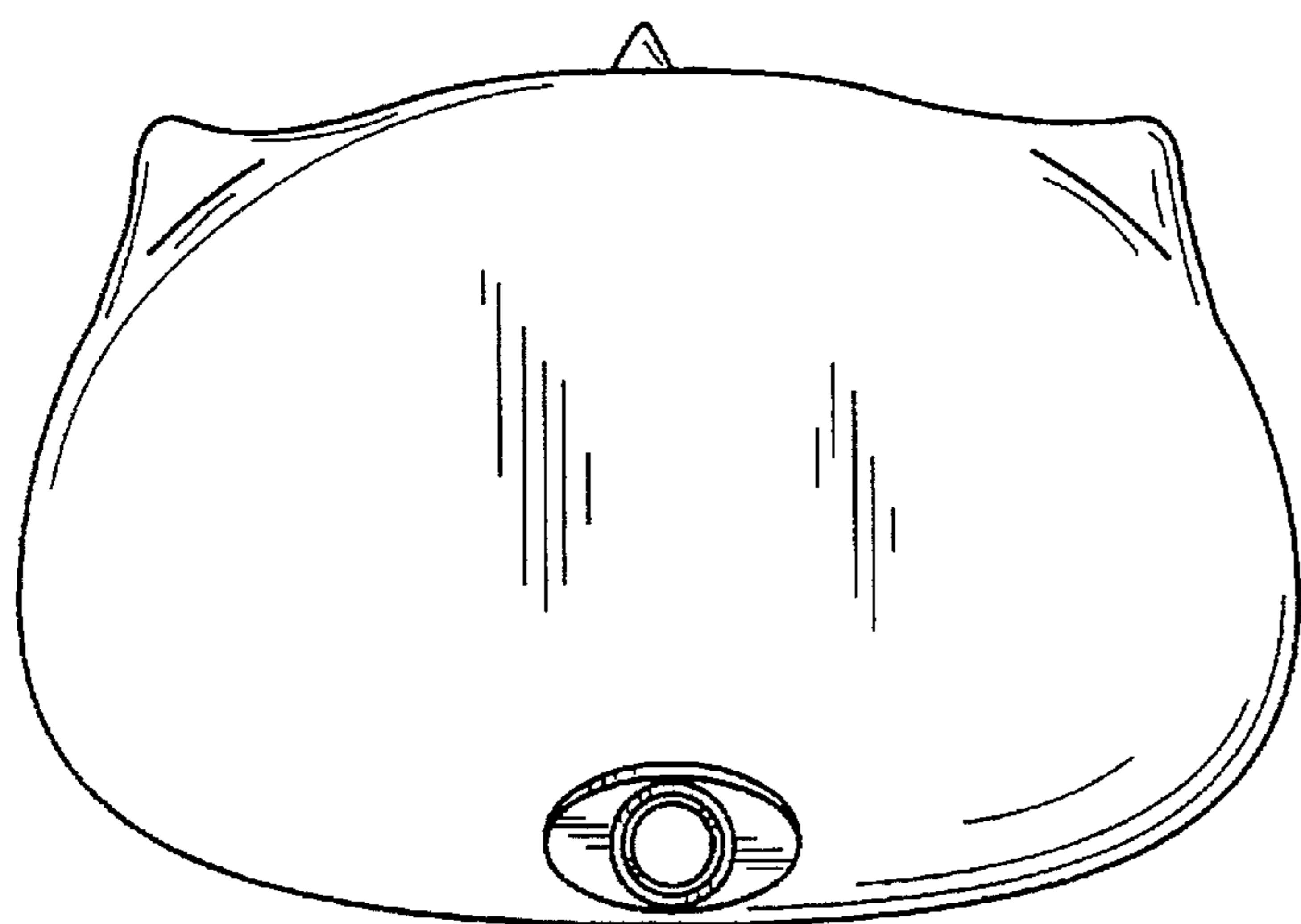
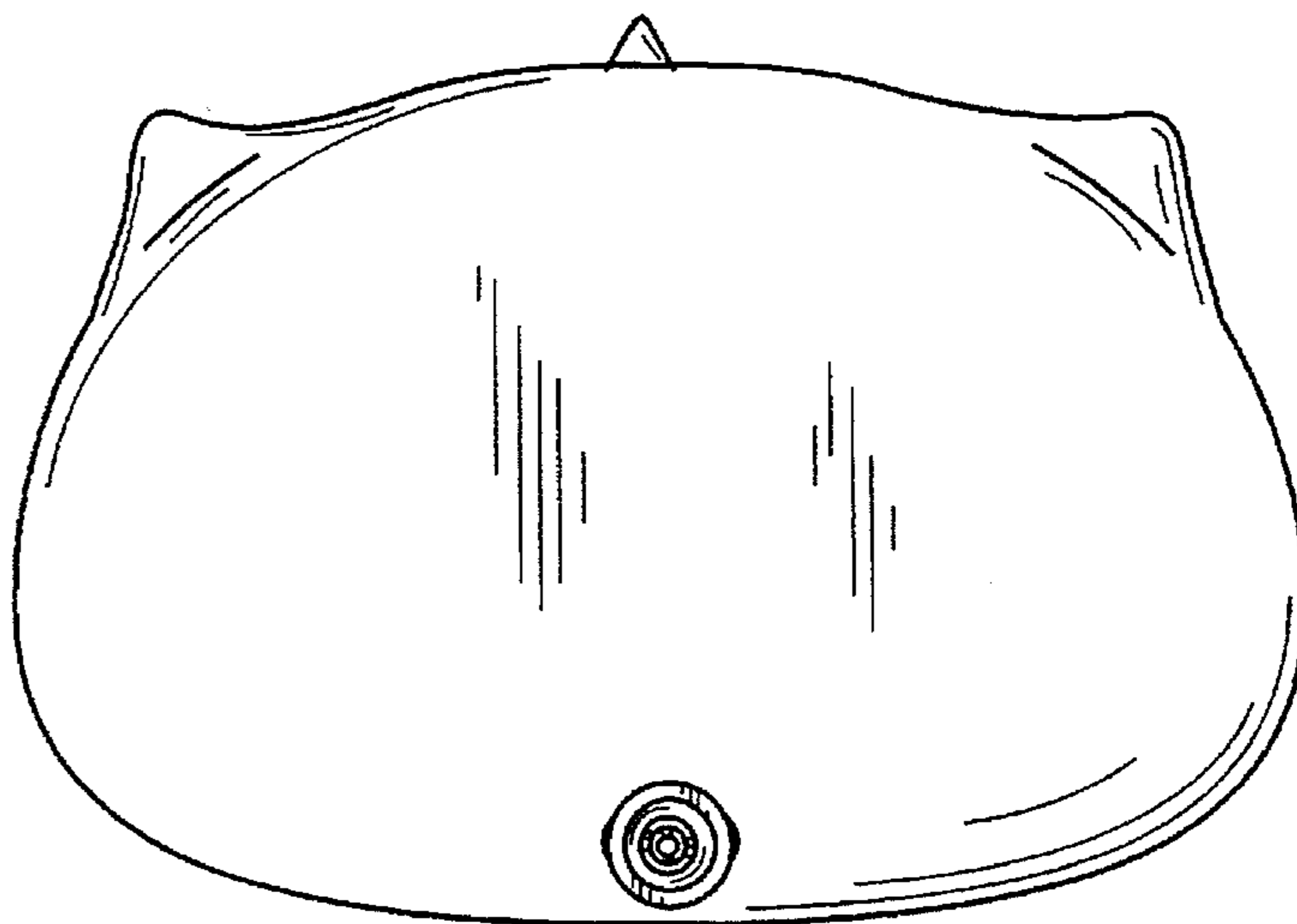


FIG. 5

FIG. 6



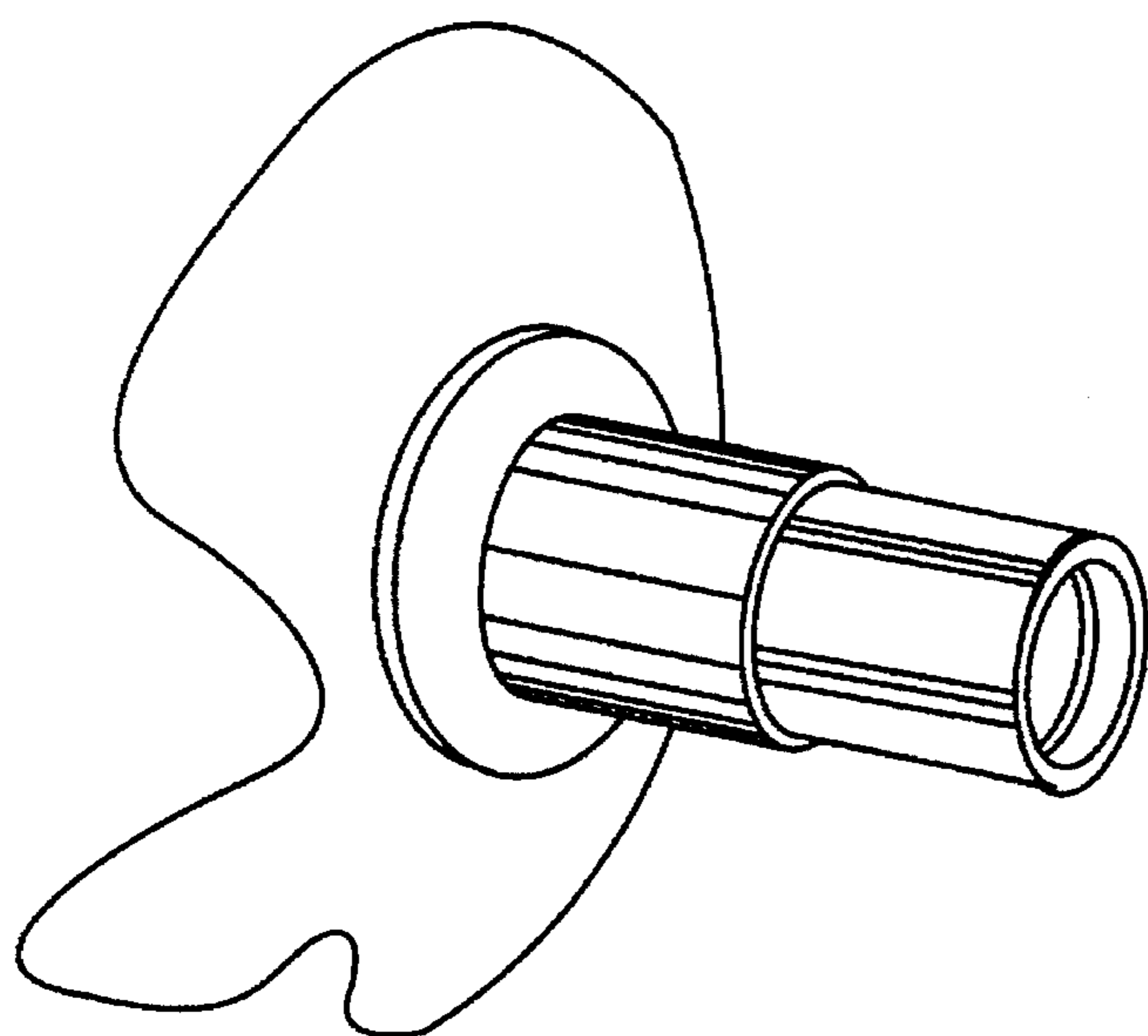


FIG. 7

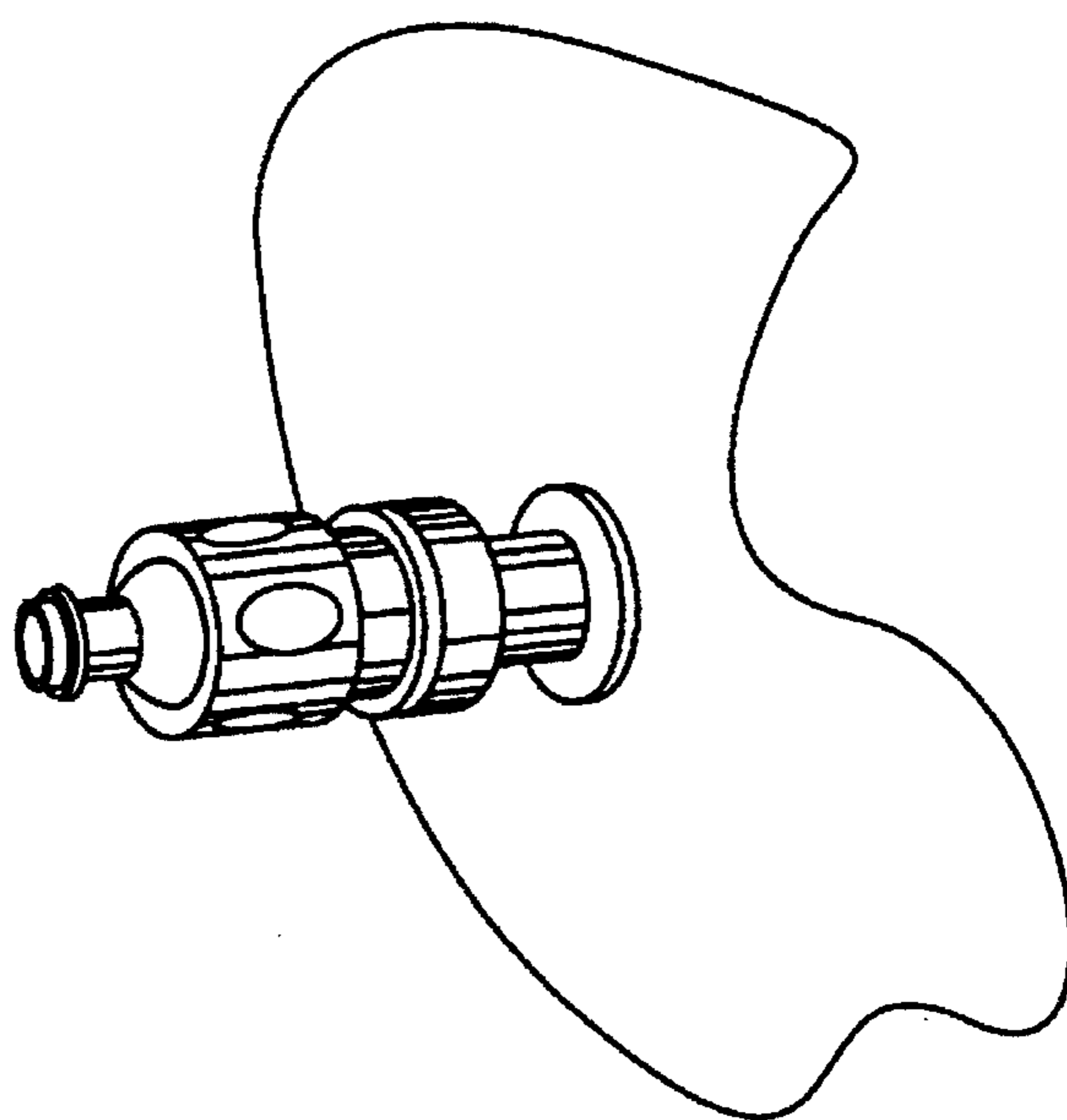


FIG. 8