



US00D380805S

United States Patent [19]

[11] Patent Number: **Des. 380,805**

Emig et al.

[45] Date of Patent: ****Jul. 8, 1997**

[54] SKI

D. 308,561 6/1990 Olivier D21/229

[76] Inventors: **Uwe Emig**, Gartenstrasse 29, D-69429 Waldbrunn; **Markus Gramlich**, Schillerstrasse 2, D-64372 Ober-Ramstadt, both of Germany

Primary Examiner—Kay H. Chin
Attorney, Agent, or Firm—Nikaido, Marmelstein, Murray & Oram, LLP

[**] Term: **14 Years**

[57] **CLAIM**

[21] Appl. No.: **43,239**

The ornamental design for a ski, as shown.

[22] Filed: **Aug. 15, 1995**

DESCRIPTION

[30] **Foreign Application Priority Data**

FIG. 1 is a side view of the design from the left;

Feb. 22, 1995 [DE] Germany 95 01 700.3

FIG. 2 is a top view;

[51] LOC (6) Cl. **21-02**

FIG. 3 is a side view from the right;

[52] U.S. Cl. **D21/229**

FIG. 4 is a bottom view;

[58] Field of Search D21/228-230;
280/602, 601, 607, 609, 610

FIG. 5 is a front view;

FIG. 6 is a back view; and,

FIG. 7 is a perspective view of the design.

[56] **References Cited**

U.S. PATENT DOCUMENTS

D. 54,113 11/1919 Moilanen D21/229

1 Claim, 3 Drawing Sheets

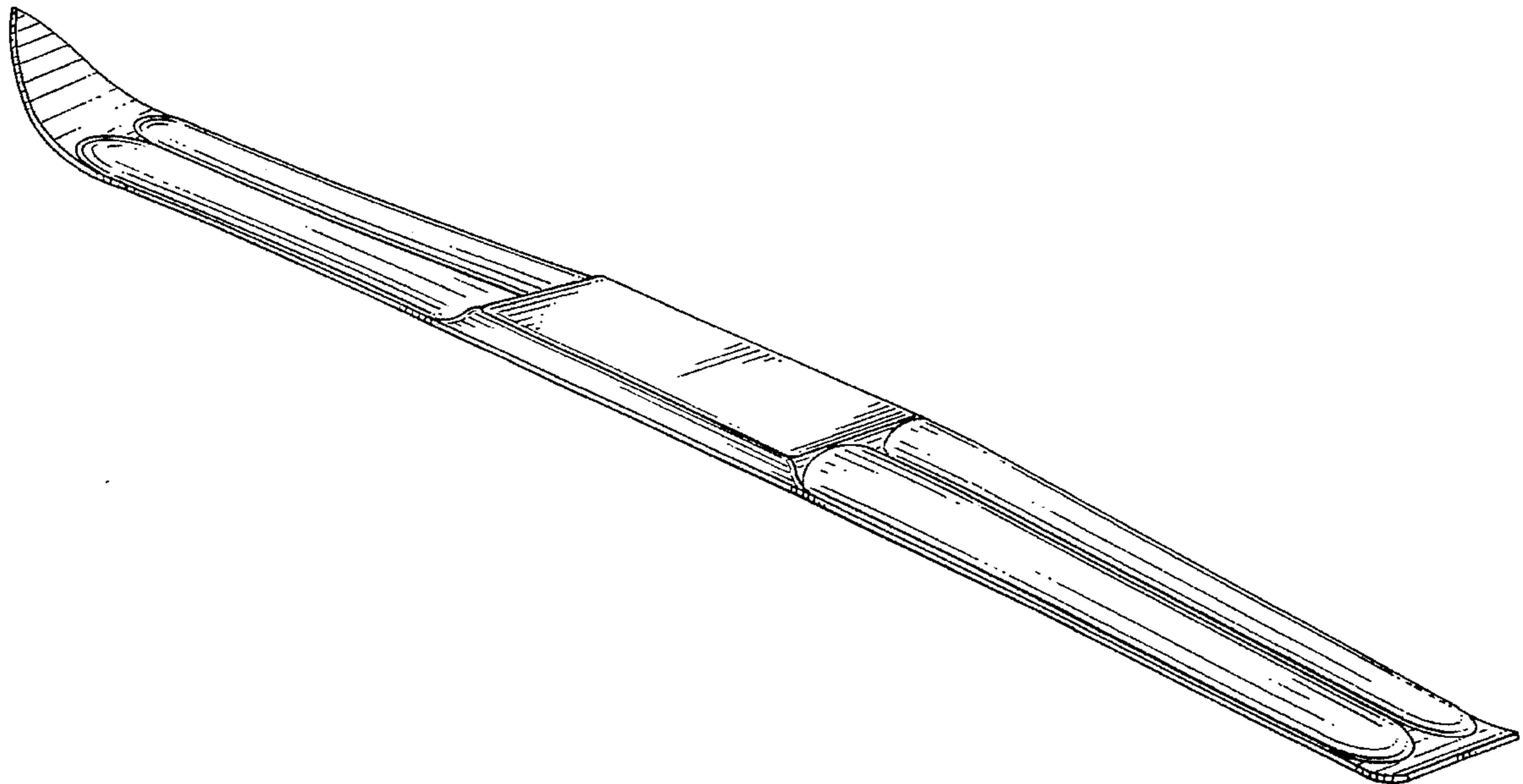


FIG. 1

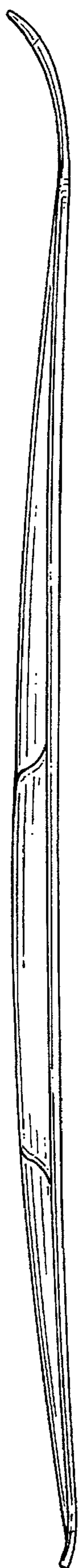


FIG. 2

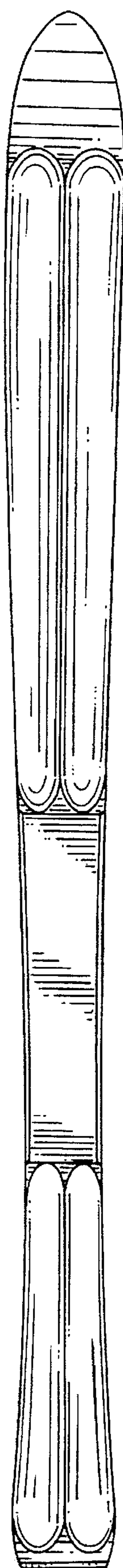


FIG. 3

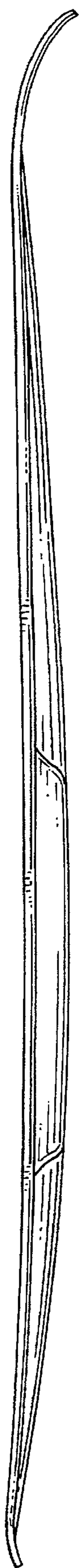


FIG. 4

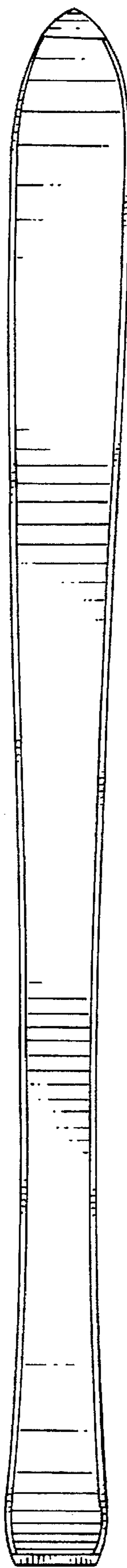


FIG. 5



FIG. 6

FIG. 7

