



US00D380803S

United States Patent [19]
Plaza, Sr.

[11] **Patent Number:** **Des. 380,803**
[45] **Date of Patent:** ****Jul. 8, 1997**

[54] **HANDLE FOR A GOLF CLUB SHAFT**

[76] **Inventor:** **Stephen F. Plaza, Sr.**, P.O. Box 1525,
Dudley, Mass. 01571

[**] **Term:** **14 Years**

[21] **Appl. No.:** **51,132**

[22] **Filed:** **Mar. 4, 1996**

[51] **LOC (6) Cl.** **21-02**

[52] **U.S. Cl.** **D21/222**

[58] **Field of Search** **D21/222; 473/300**

[56] **References Cited**

U.S. PATENT DOCUMENTS

D. 194,834	3/1963	Parker et al.	D21/222	X
D. 369,394	4/1996	North	D21/222	
2,928,678	3/1960	Cutting	D21/222	X
5,127,650	7/1992	Schneller	473/300	
5,474,300	12/1995	Scalise et al.	D21/222	X

Primary Examiner—Ted Shooman
Assistant Examiner—Mitchell I. Siegel
Attorney, Agent, or Firm—James F. Baird

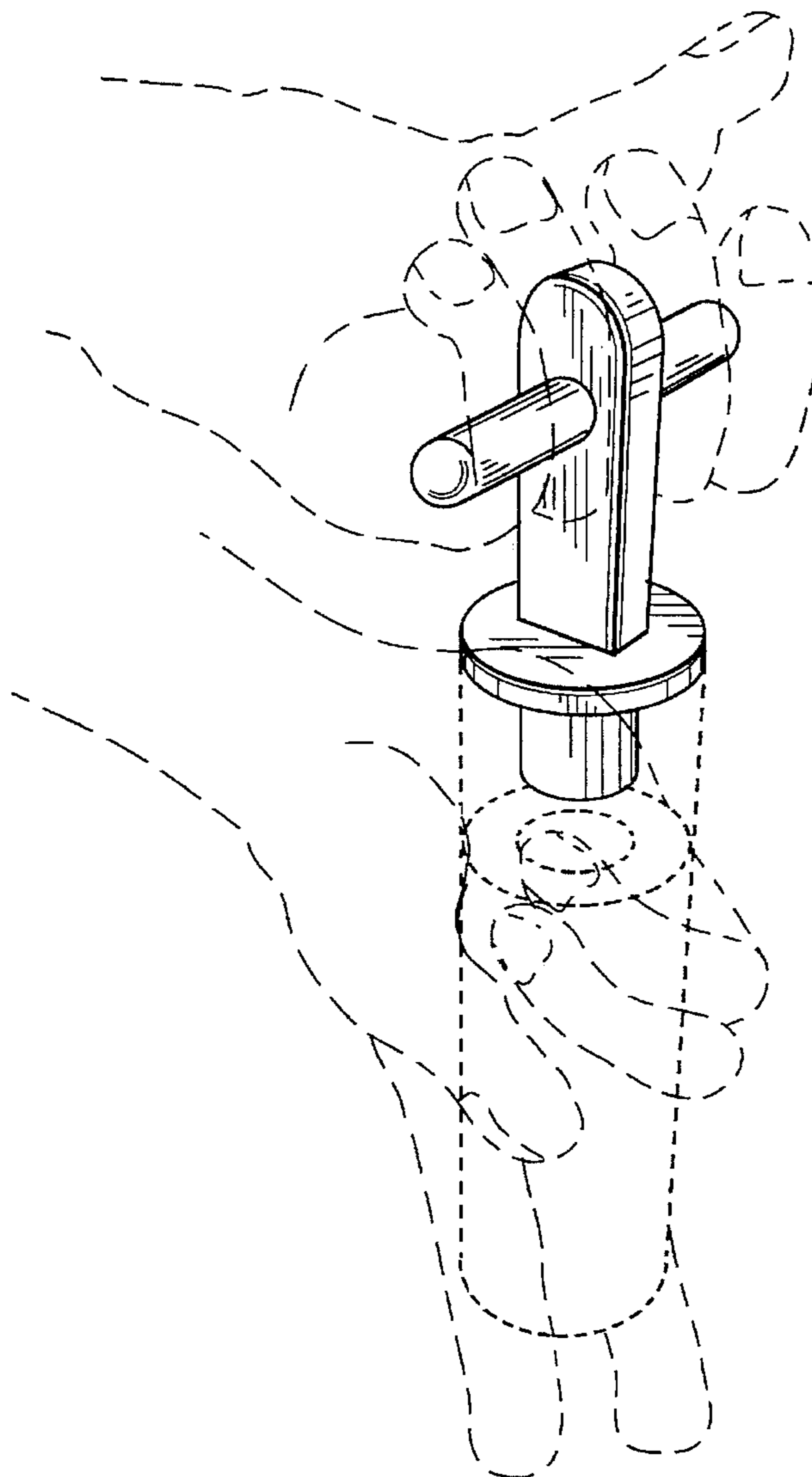
[57] **CLAIM**

The ornamental design for handle for a golf club shaft, as shown and described.

DESCRIPTION

FIG. 1 is a rear perspective view taken from the left end of a handle for a golf club shaft showing my new design; FIG. 2 is a top plan view thereof; FIG. 3 is a bottom plan view thereof; FIG. 4 is a left end plan view thereof, the right end plan view being a mirror image of the left end plan view shown; and, FIG. 5 is a front plan view thereof, the rear plan view being a mirror image of the front plan view shown. The broken line representation of hands and the upper portion of a golf putter shaft in FIG. 1 are for illustrative purposes only and form no part of the claimed design.

1 Claim, 2 Drawing Sheets



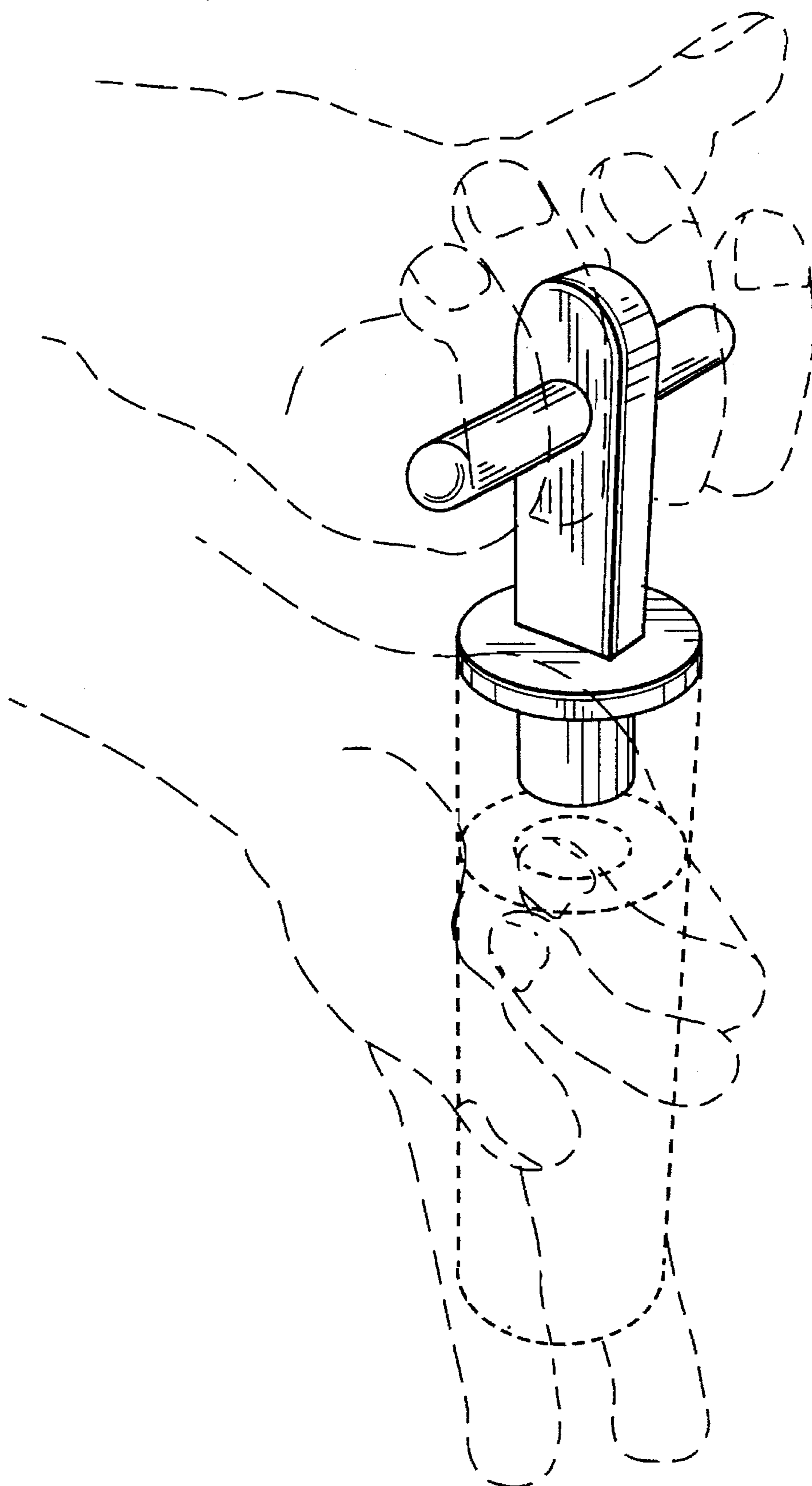


FIG. 1

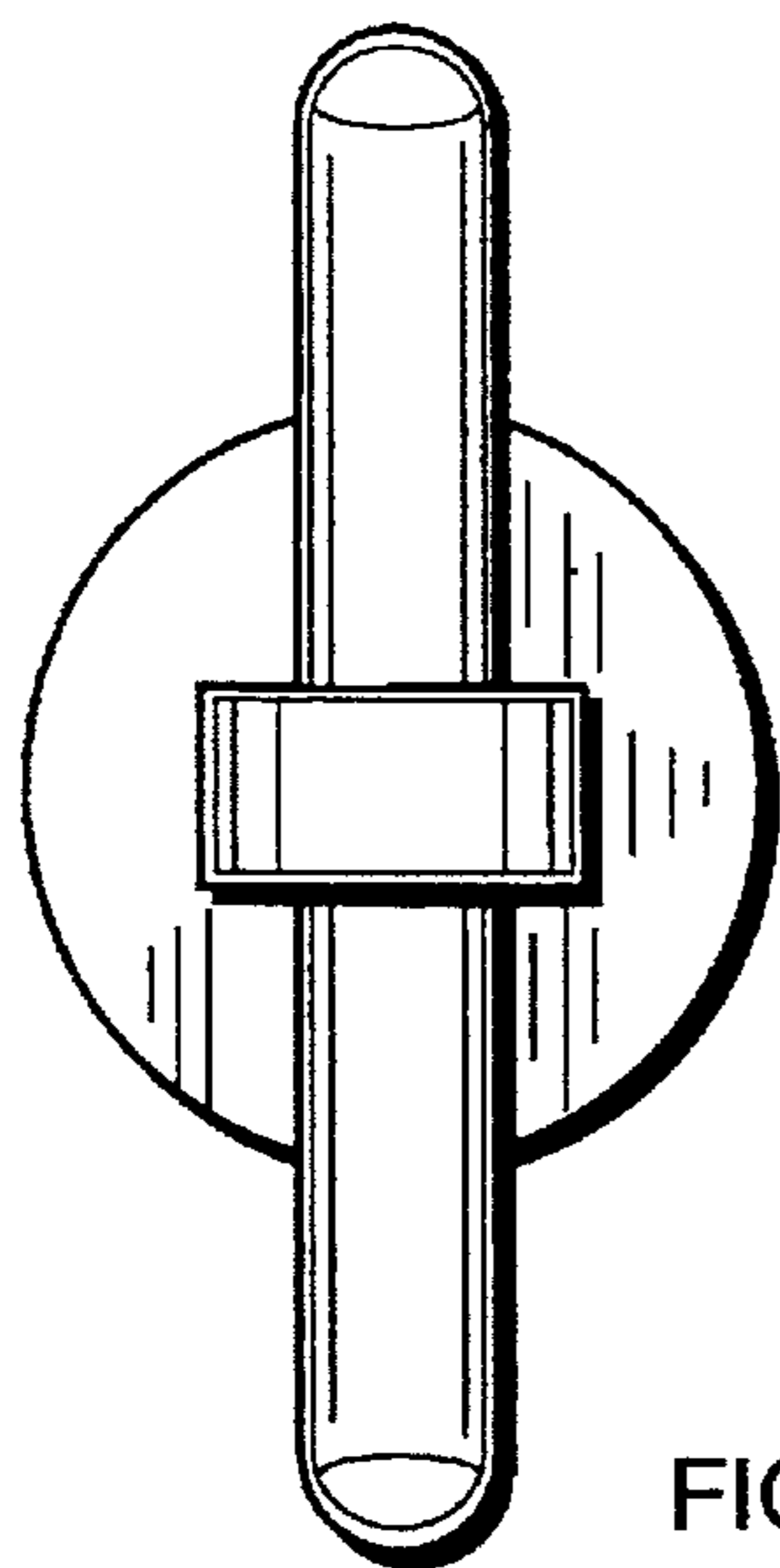


FIG. 2

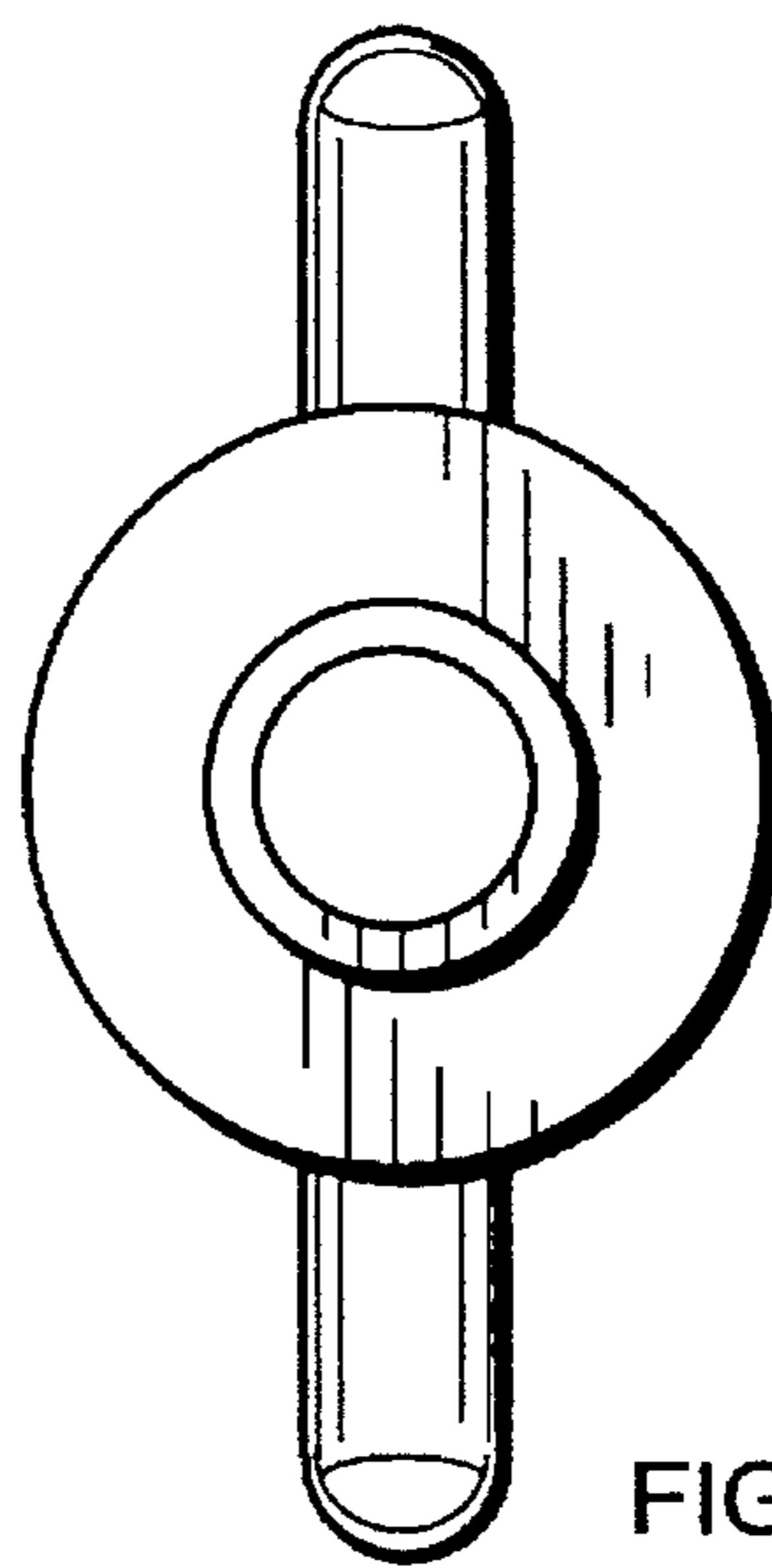


FIG. 3

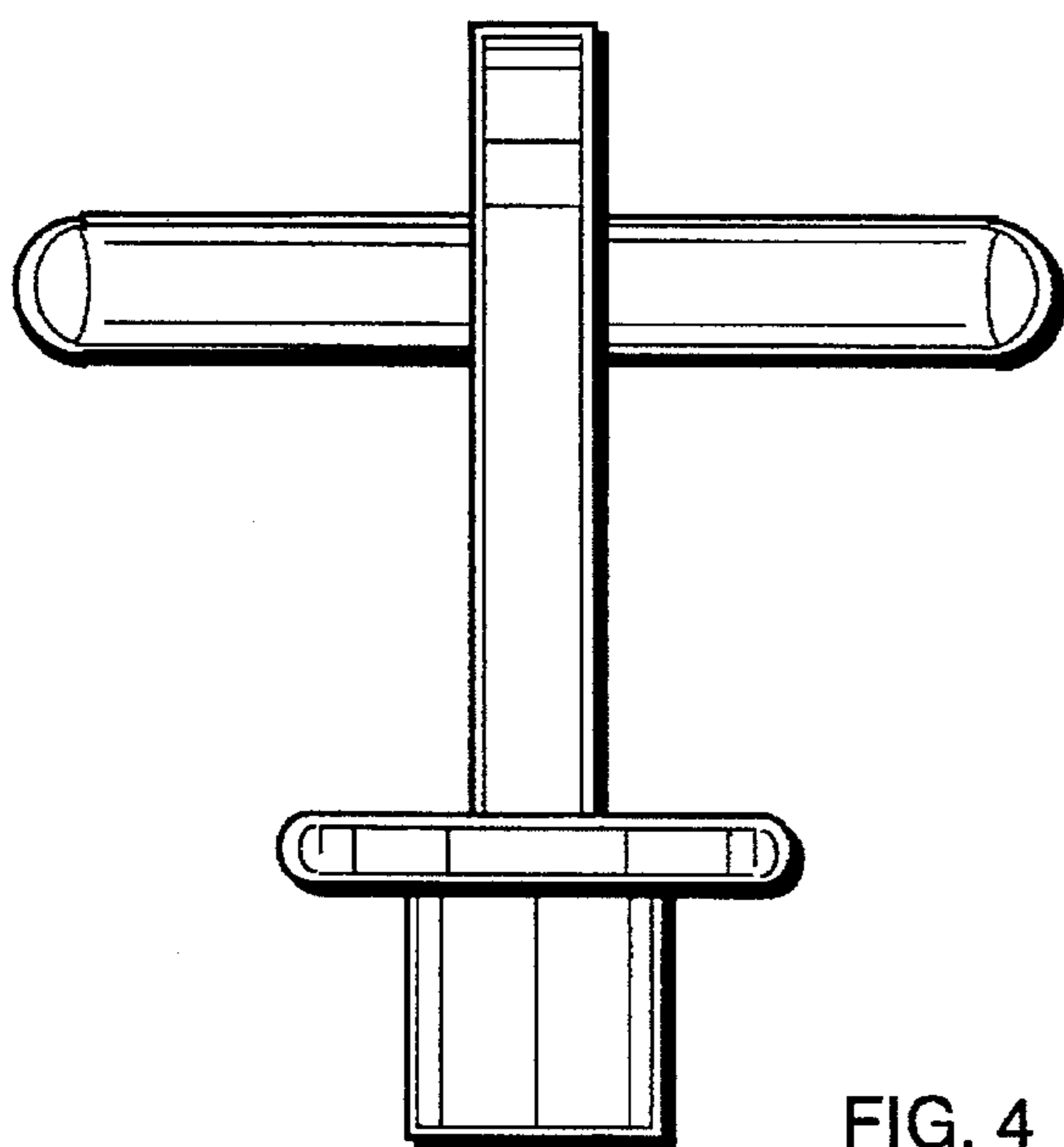


FIG. 4

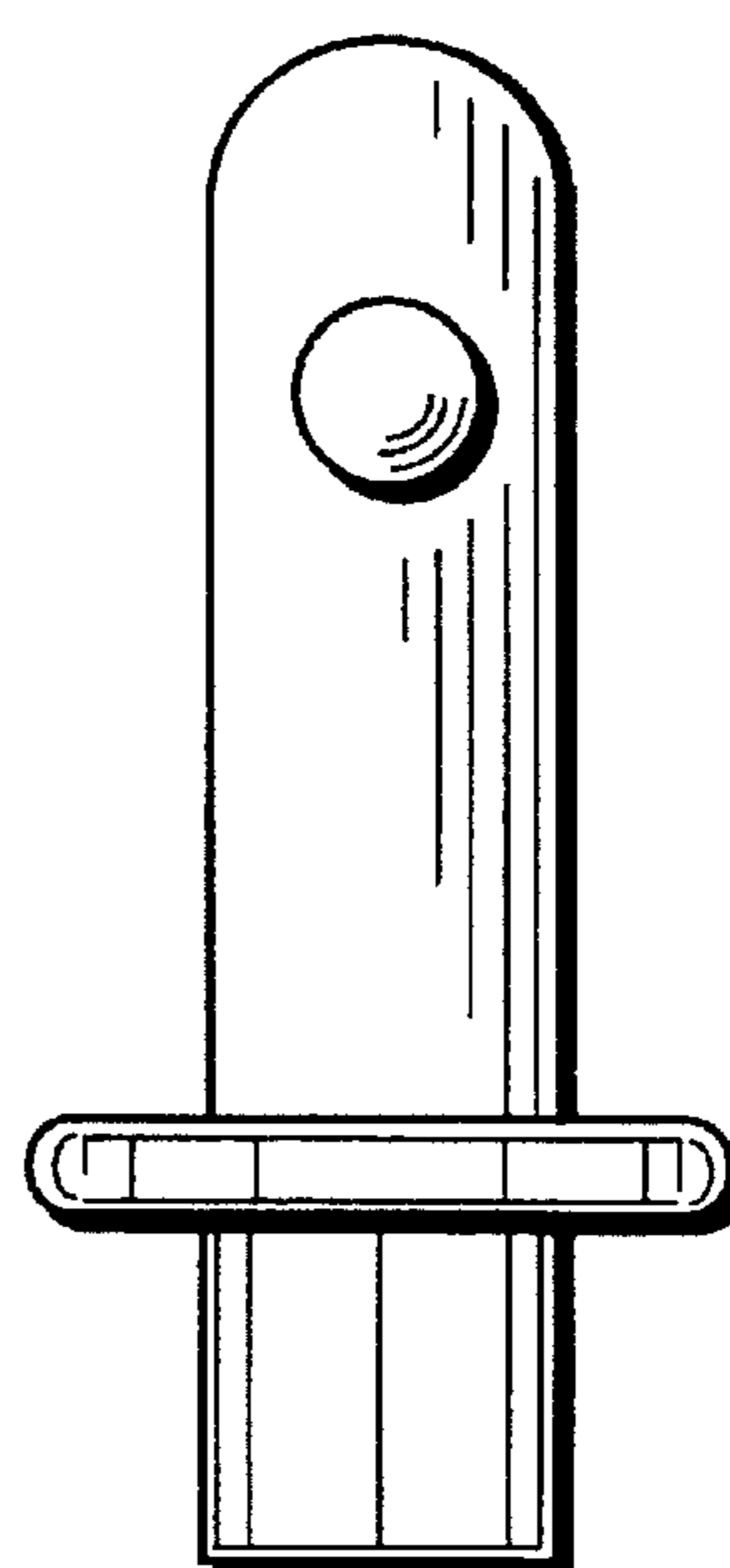


FIG. 5