

US00D380801S

United States Patent [19] Steele

[11] Patent Number: **Des. 380,801**
[45] Date of Patent: ****Jul. 8, 1997**

[54] **GOLF PUTTER HEAD**

[76] Inventor: **Jack F. Steele**, 929 N. Astor St., Unit 1201, Milwaukee, Wis. 53202

[**] Term: **14 Years**

[21] Appl. No.: **40,138**

[22] Filed: **Jun. 12, 1995**

D. 356,846 3/1995 Murrill D21/219
4,390,184 6/1983 Rudell 273/164.1 X
4,519,612 5/1985 Tsao 273/167 A X

Primary Examiner—Terry A. Wallace
Assistant Examiner—Mitchell I. Siegel
Attorney, Agent, or Firm—Andrus, Scales, Starke & Sawall

[57] **CLAIM**

The ornamental design for a golf putter head, as shown and described.

Related U.S. Application Data

[63] Continuation-in-part of Ser. No. 36,118, Mar. 13, 1995.

[51] **LOC (6) Cl.** **21-02**

[52] **U.S. Cl.** **D21/219**

[58] **Field of Search** D21/217-219;
473/251-255, 340, 341

DESCRIPTION

FIG. 1 is a perspective view of a golf putter head incorporating my new design;
FIG. 2 is a top view thereof;
FIG. 3 is a front view thereof;
FIG. 4 is a side view thereof;
FIG. 5 is a rear view thereof; and,
FIG. 6 is a bottom view thereof.

The broken line showing of the shaft insert hole on FIGS. 1 and 2 is for illustrative purposes only and forms no part of the claimed design.

[56] **References Cited**

U.S. PATENT DOCUMENTS

D. 337,803 7/1993 Sillers D21/219
D. 337,804 7/1993 Sauber D21/219
D. 342,112 12/1993 Diesterheft D21/219

1 Claim, 2 Drawing Sheets

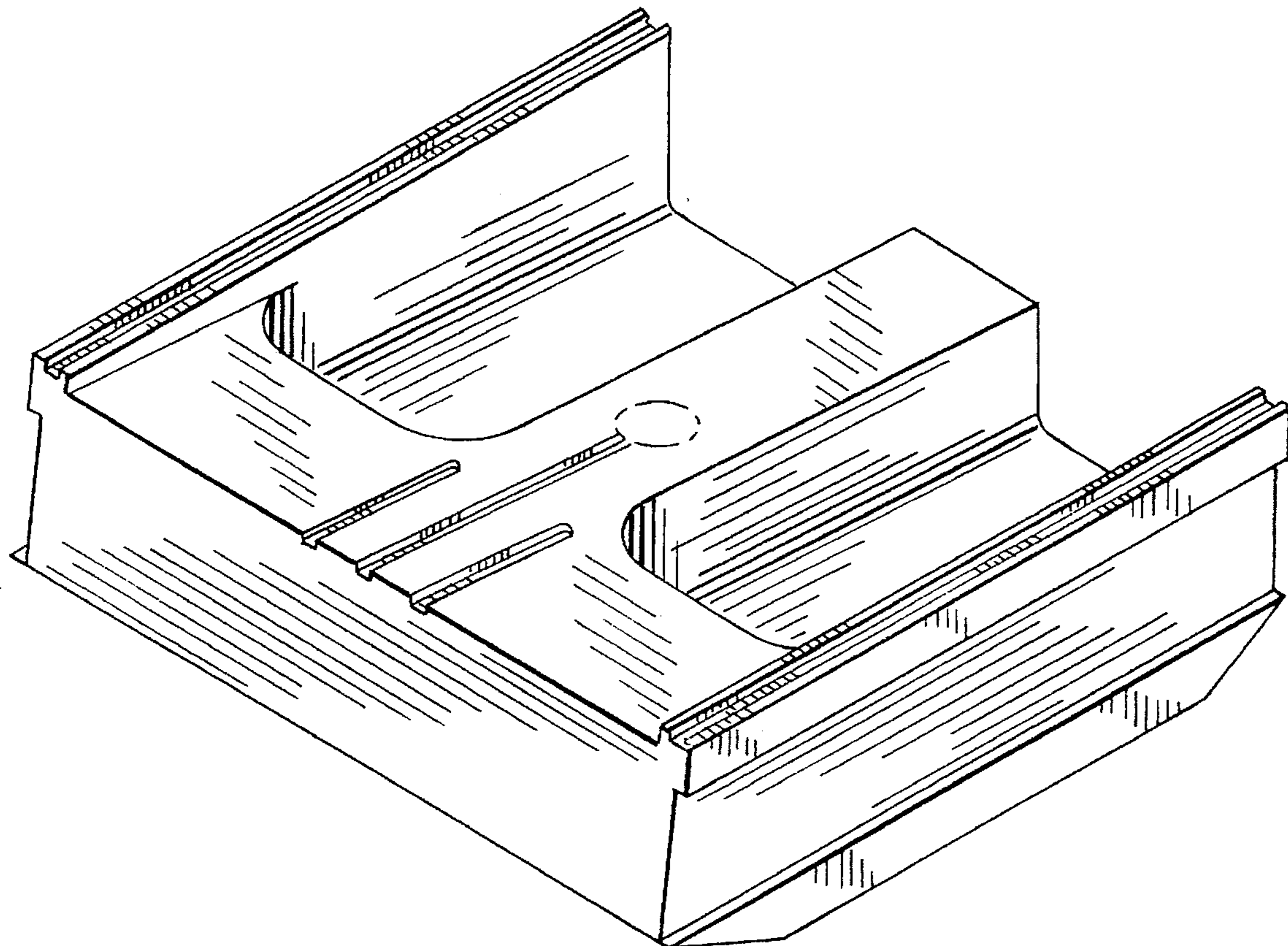


FIG. 1

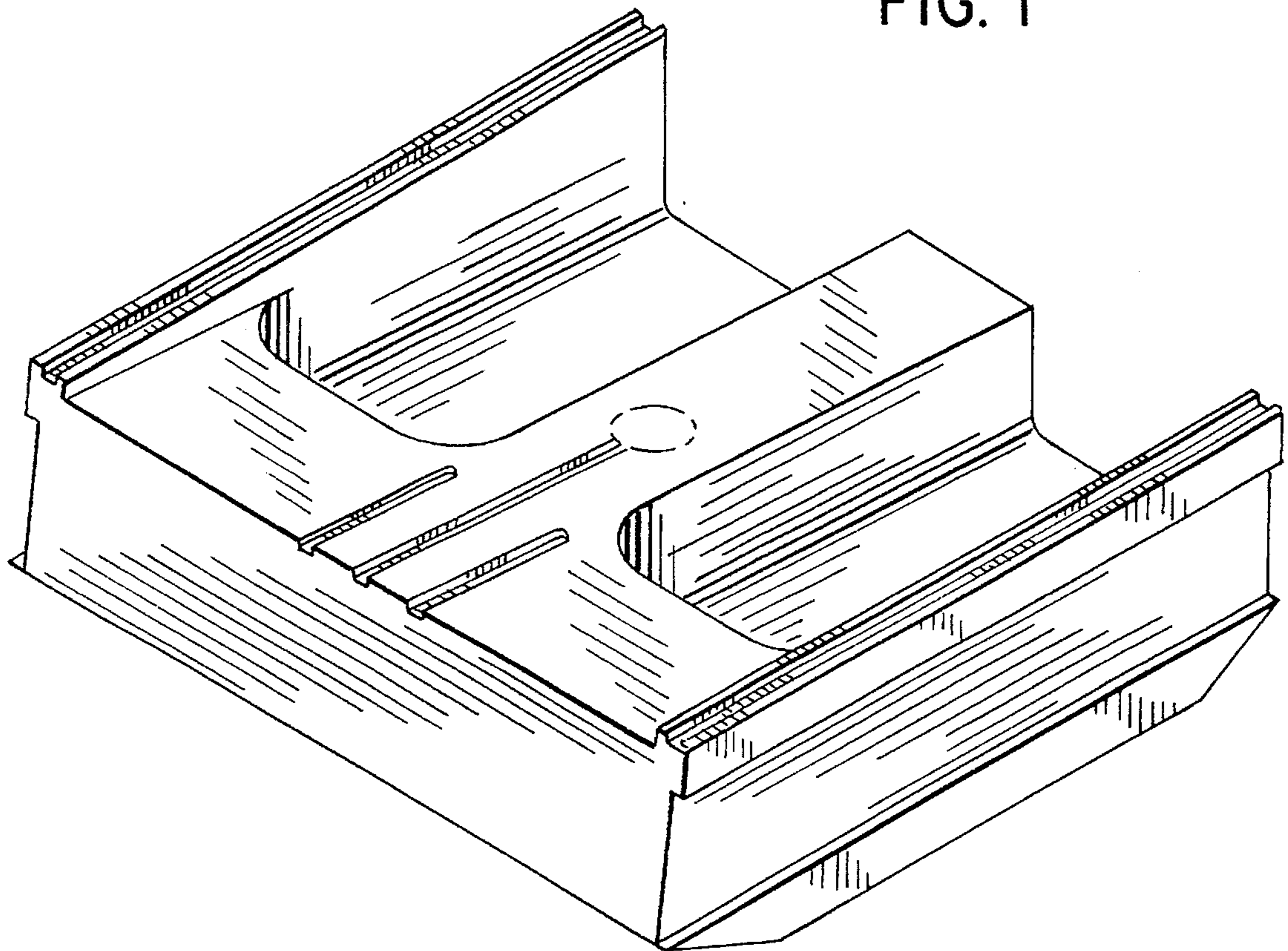
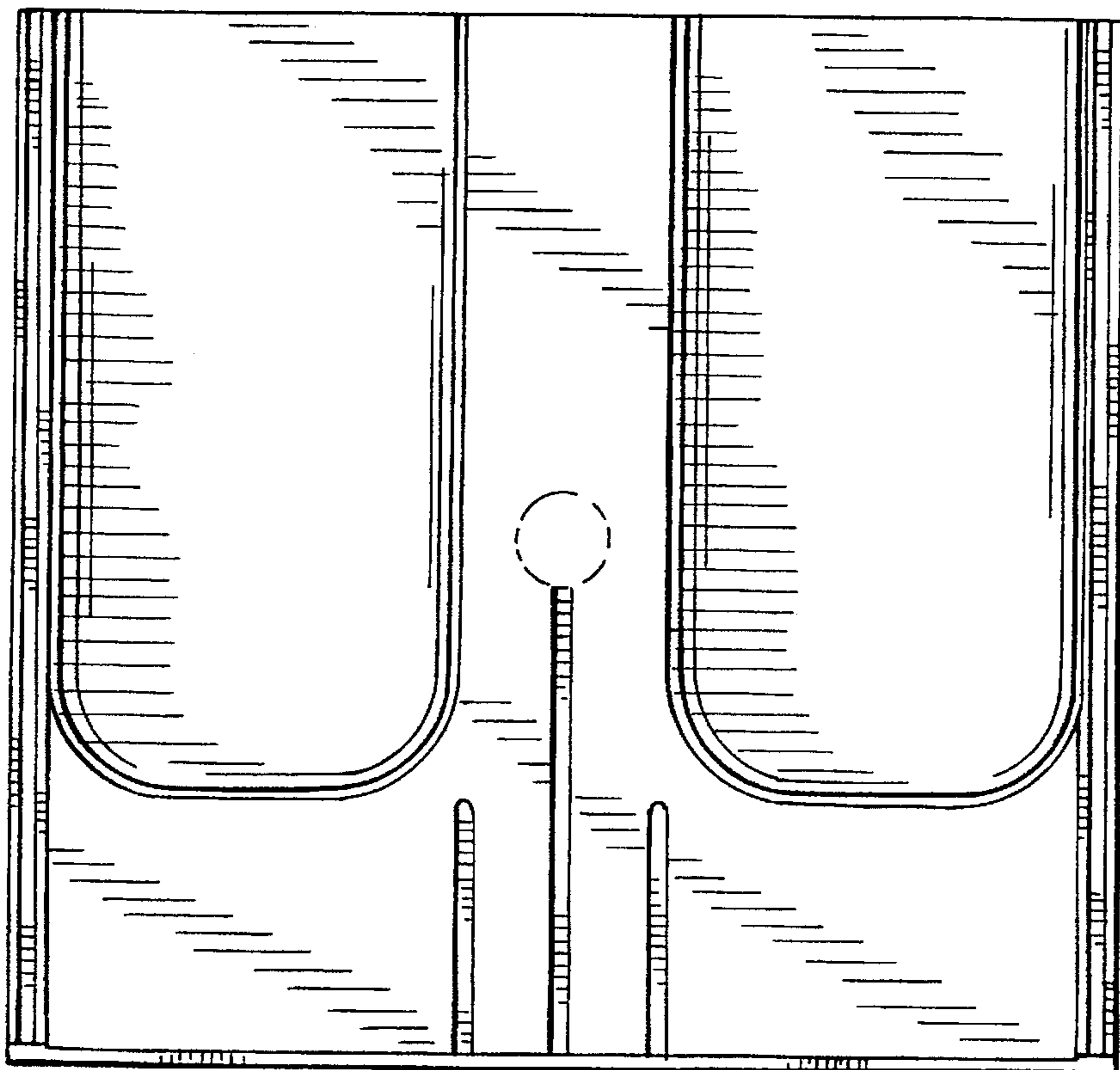


FIG. 2



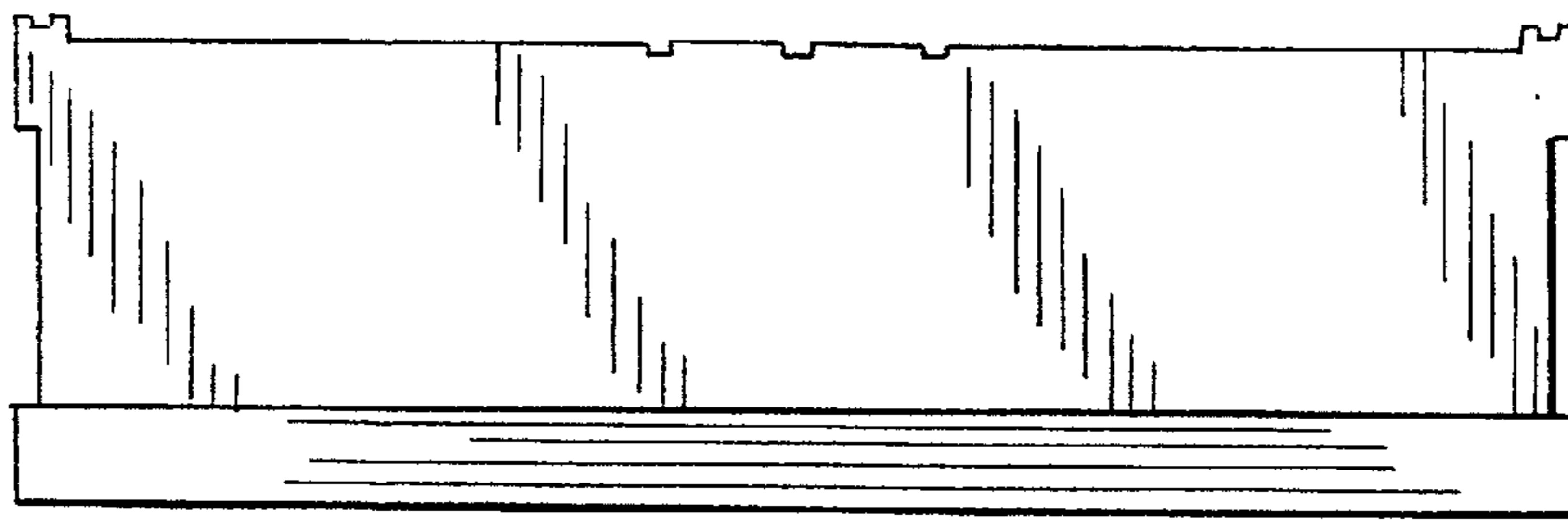


FIG. 3

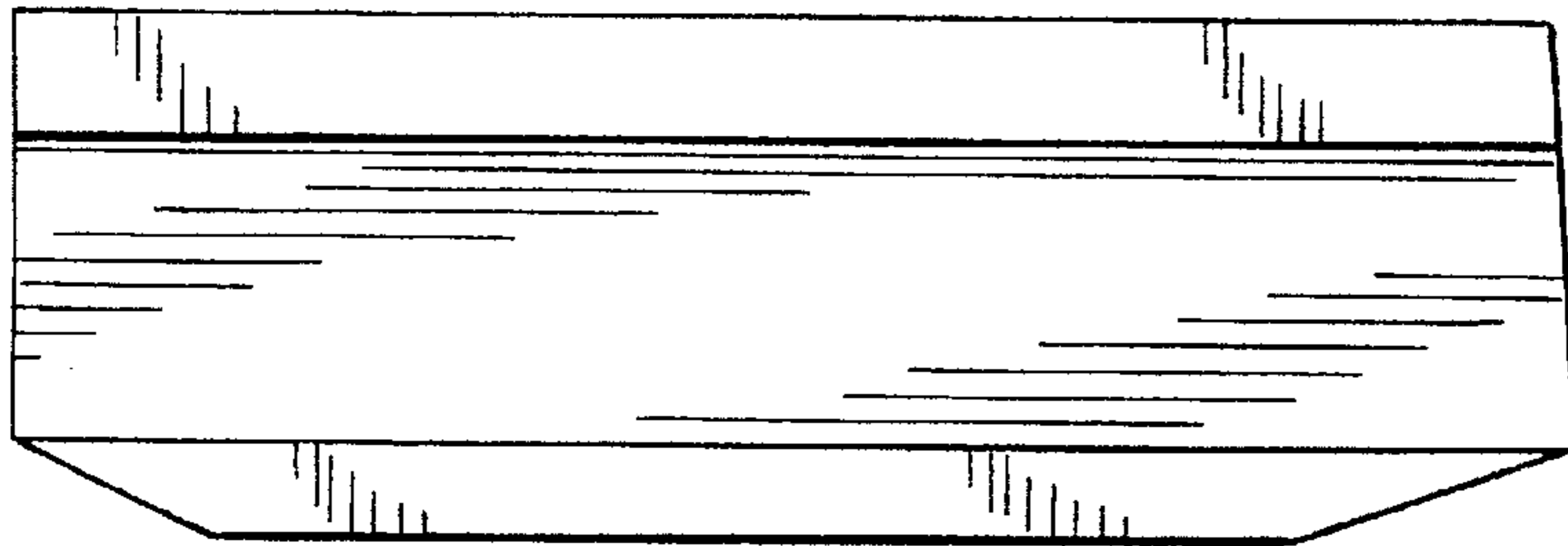


FIG. 4

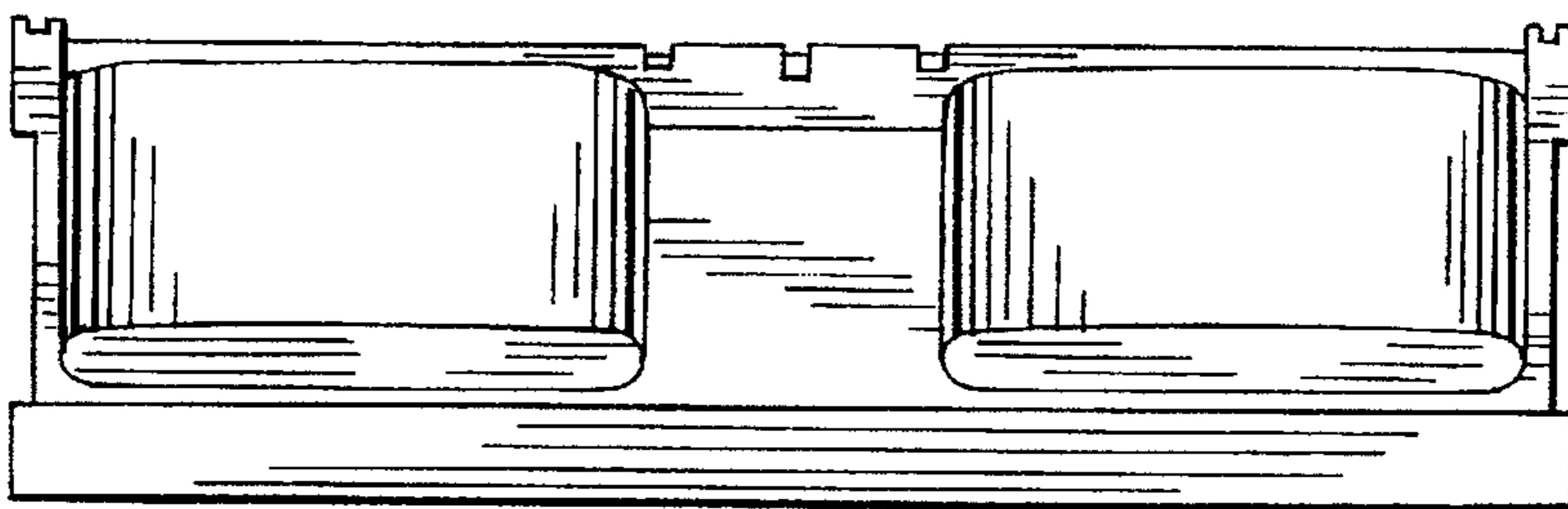


FIG. 5

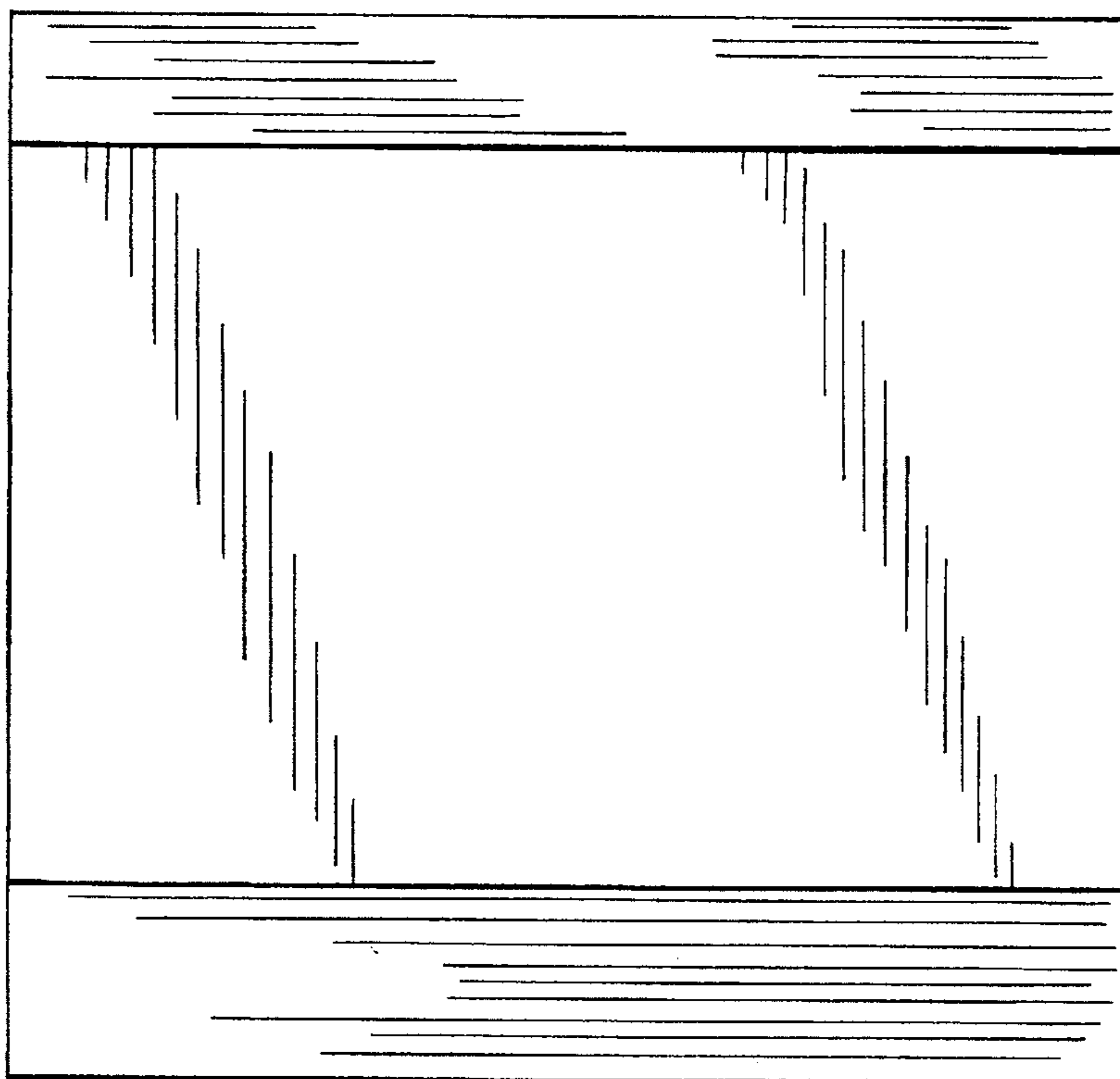


FIG. 6