



US00D380798S

United States Patent [19]
Novelli

[11] **Patent Number: Des. 380,798**
[45] **Date of Patent: **Jul. 8, 1997**

[54] **GOLF PUTTER HEAD**

[76] **Inventor: Mario Novelli**, 220 Middlefield St.,
Chester, Mass. 01011

[**] **Term: 14 Years**

[21] **Appl. No.: 50,017**

[22] **Filed: Feb. 6, 1996**

[51] **LOC (6) Cl. 21-02**

[52] **U.S. Cl. D21/217; D21/220**

[58] **Field of Search D21/217-220;**
473/340, 341, 251-256

[56] **References Cited**

U.S. PATENT DOCUMENTS

D. 210,789	4/1968	Sprinkel	D21/217 X
D. 348,297	6/1994	Schiavo et al.	D21/217
D. 364,665	11/1995	Goodrich	D21/217
5,415,399	5/1995	Kettelson	473/341 X

Primary Examiner—Terry A. Wallace
Assistant Examiner—Mitchell I. Siegel
Attorney, Agent, or Firm—Harold H. Dutton, Jr.; W. Charles
L. Jamison; Diane F. Liebman

[57] **CLAIM**

The ornamental design for a golf putter head, as shown and described.

DESCRIPTION

FIG. 1 is a perspective view of a golf putter head showing my new design;
FIG. 2 is a right side view thereof;
FIG. 3 is a left side view thereof;
FIG. 4 is a front view thereof;
FIG. 5 is a rear view thereof;
FIG. 6 is a top view thereof; and,
FIG. 7 is a bottom view thereof.

The broken lines are for illustrative purposes only and form no part of the claimed design.

1 Claim, 4 Drawing Sheets

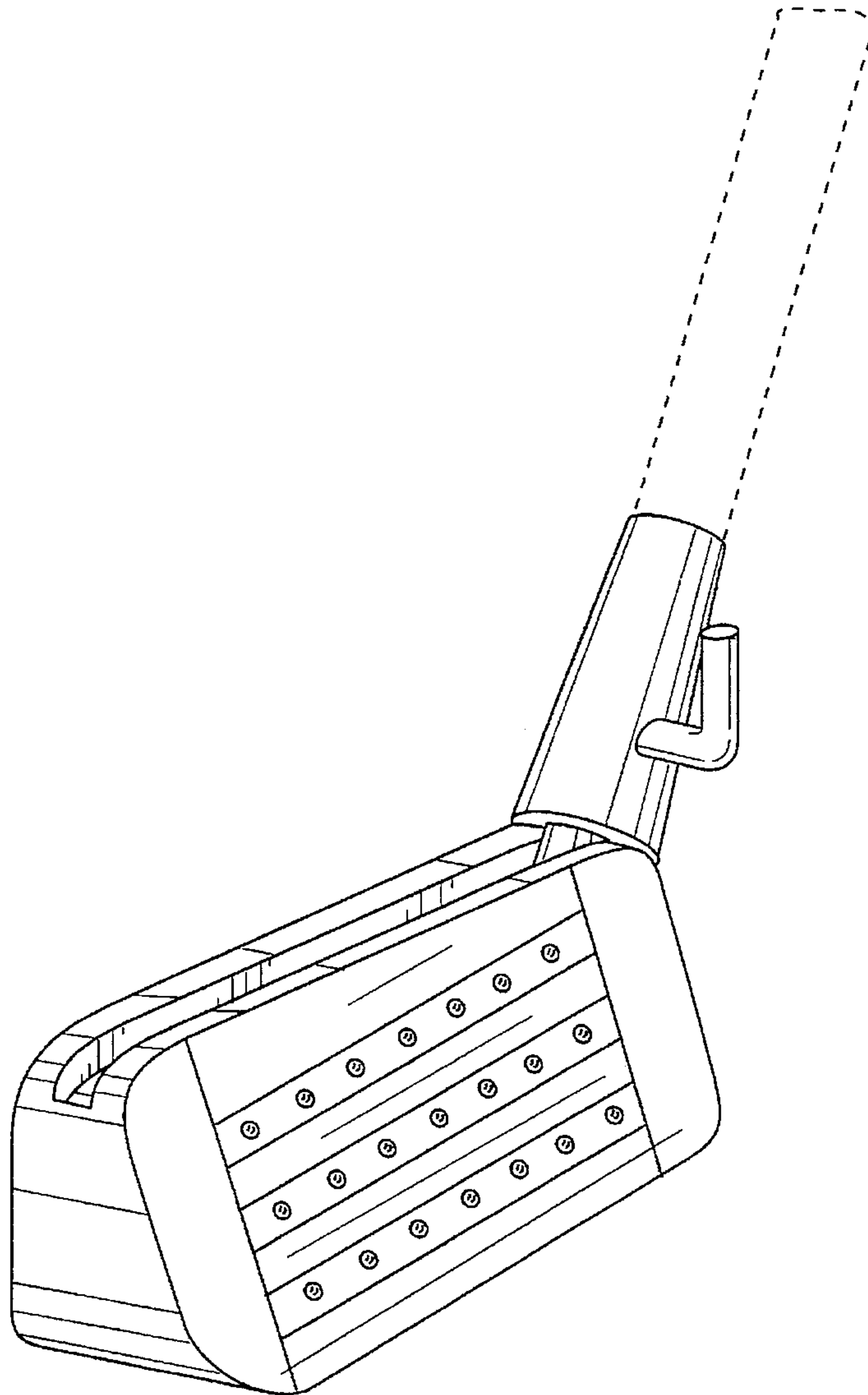
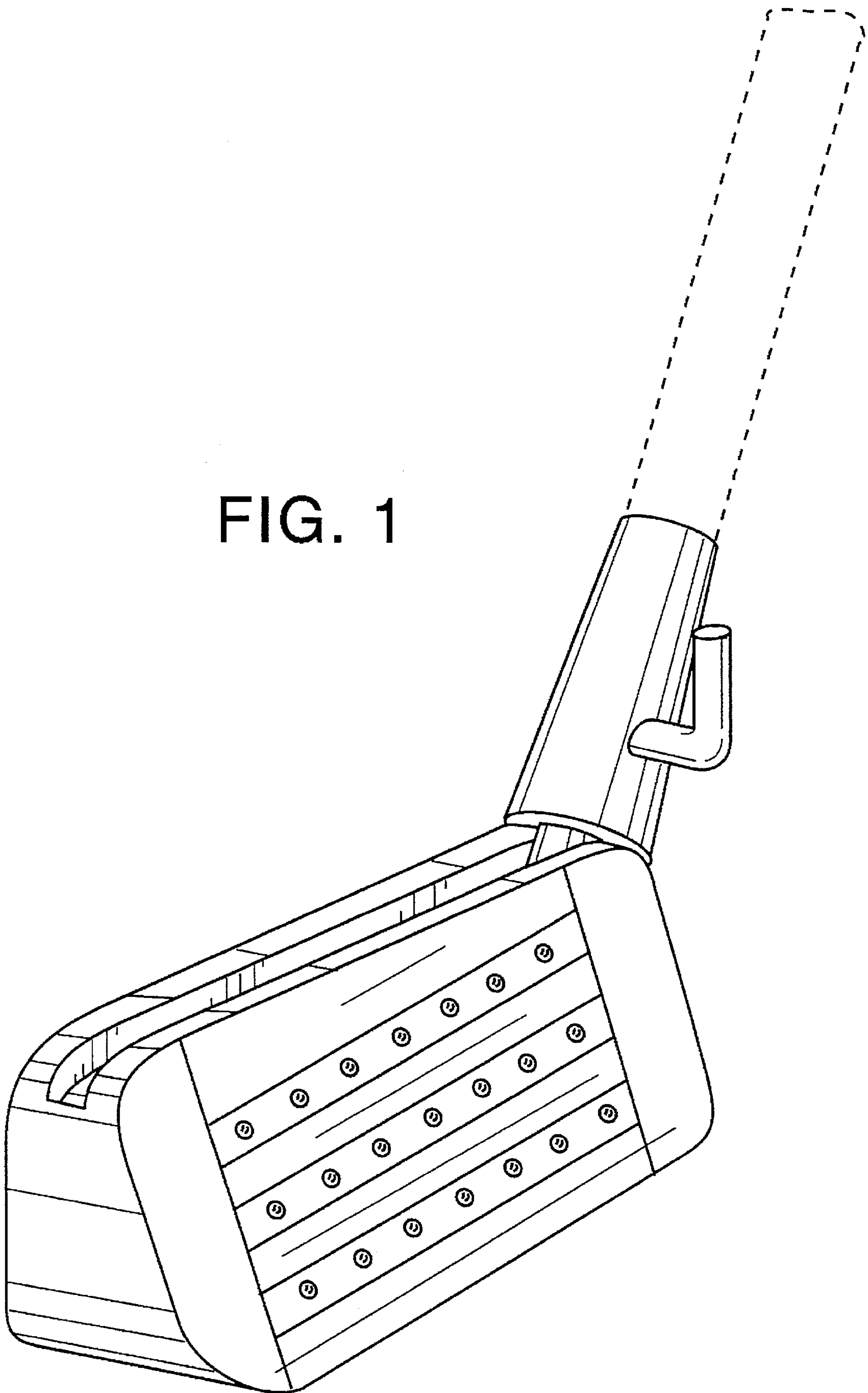


FIG. 1



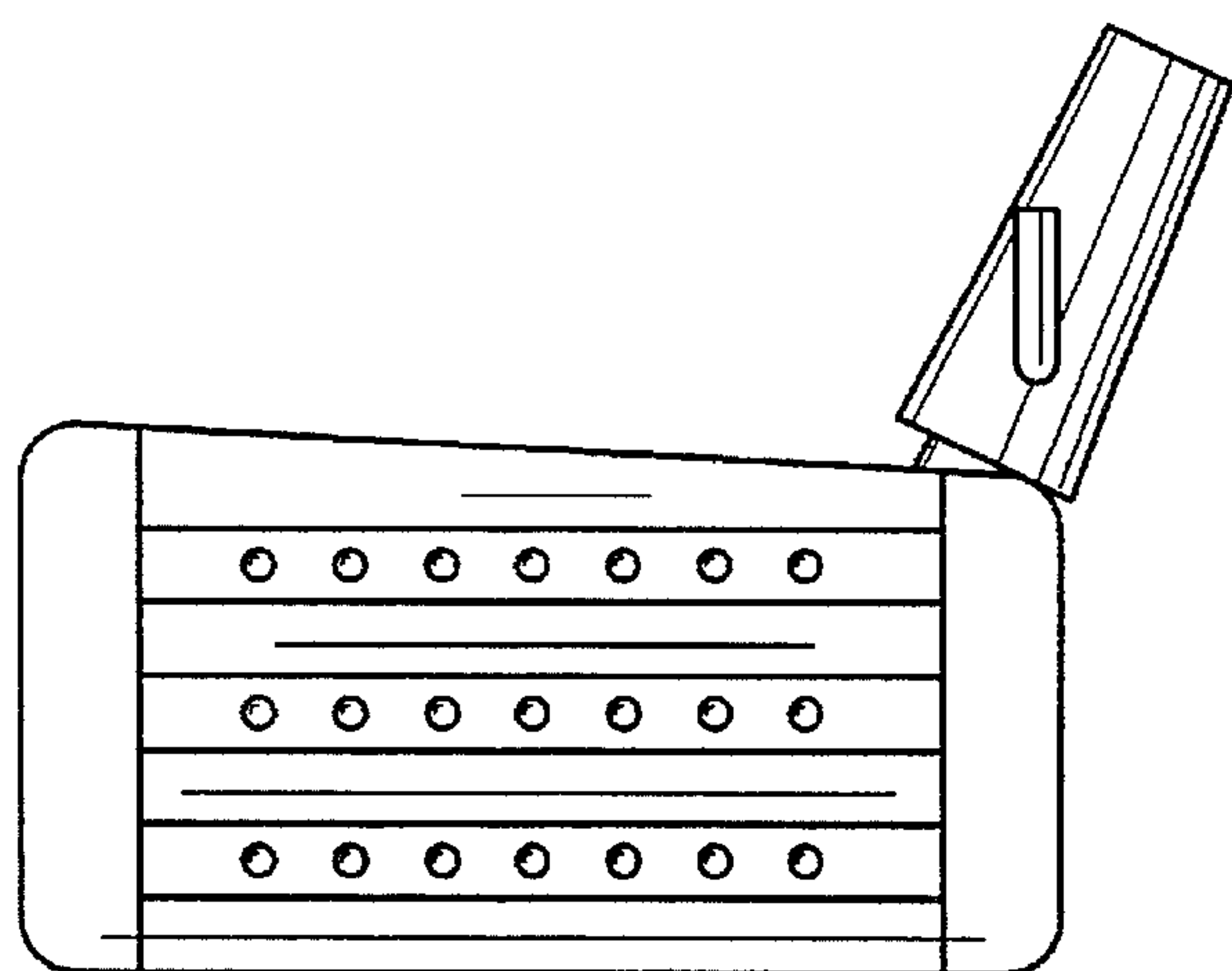


FIG. 2

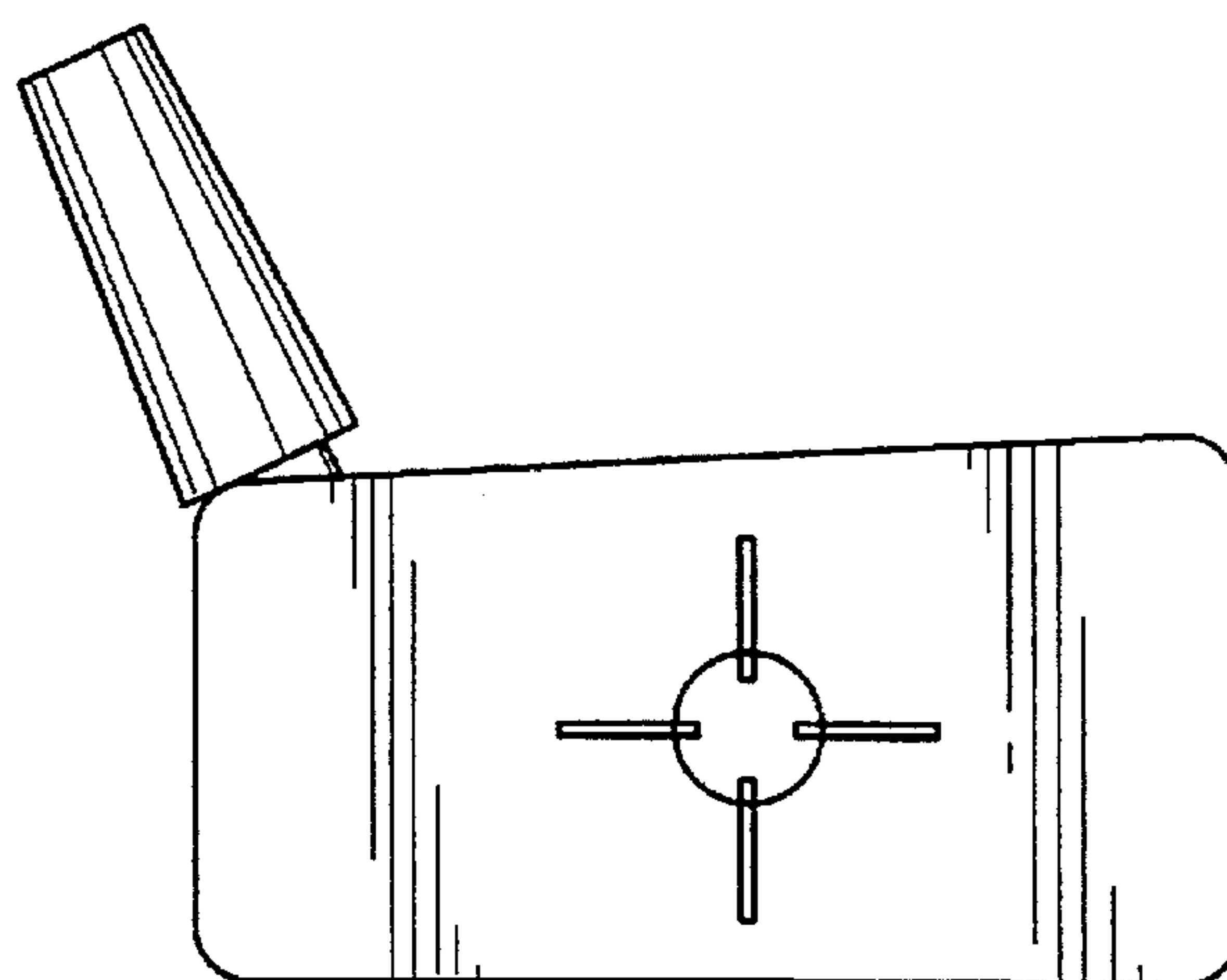


FIG. 3

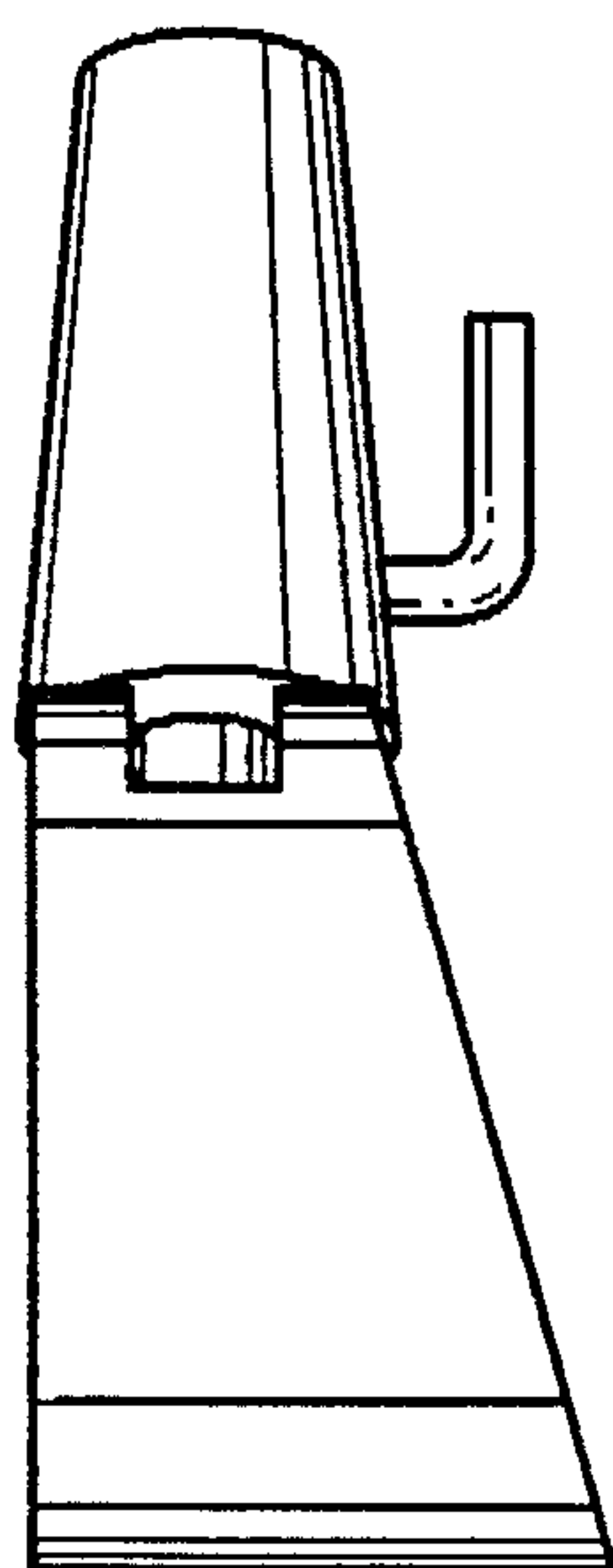


FIG. 4

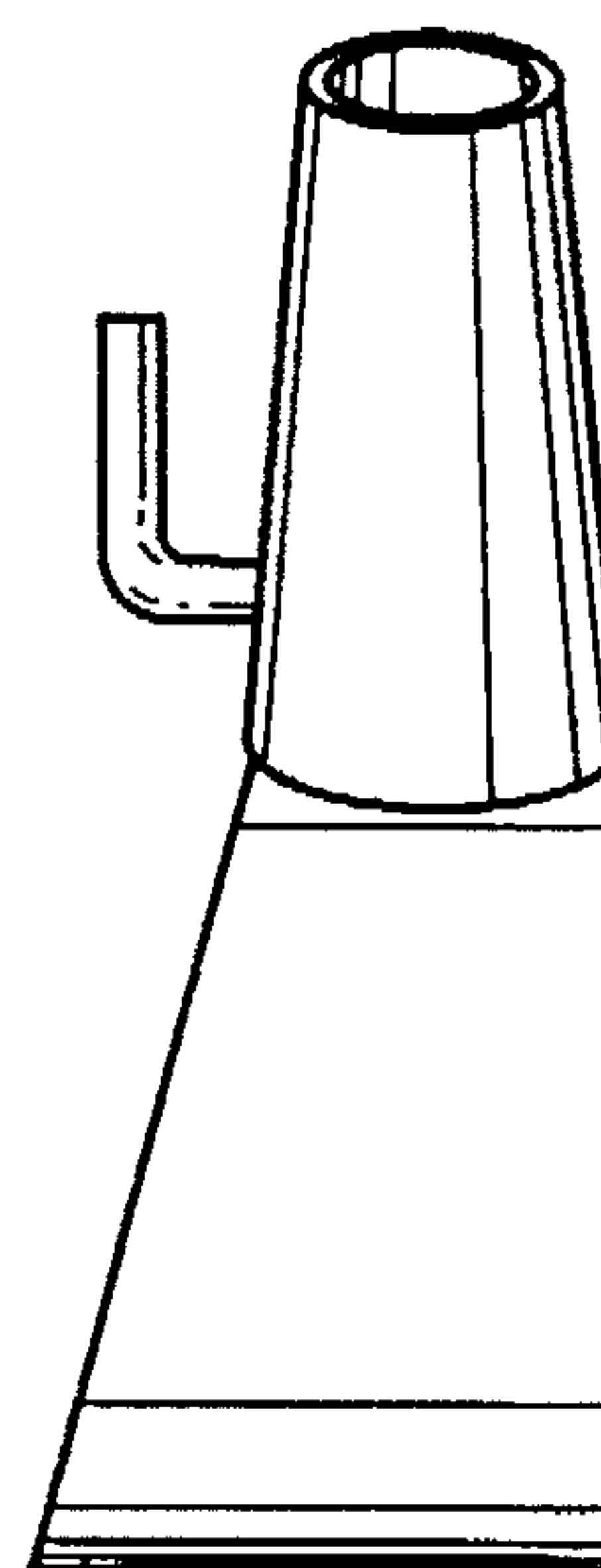


FIG. 5

FIG. 6

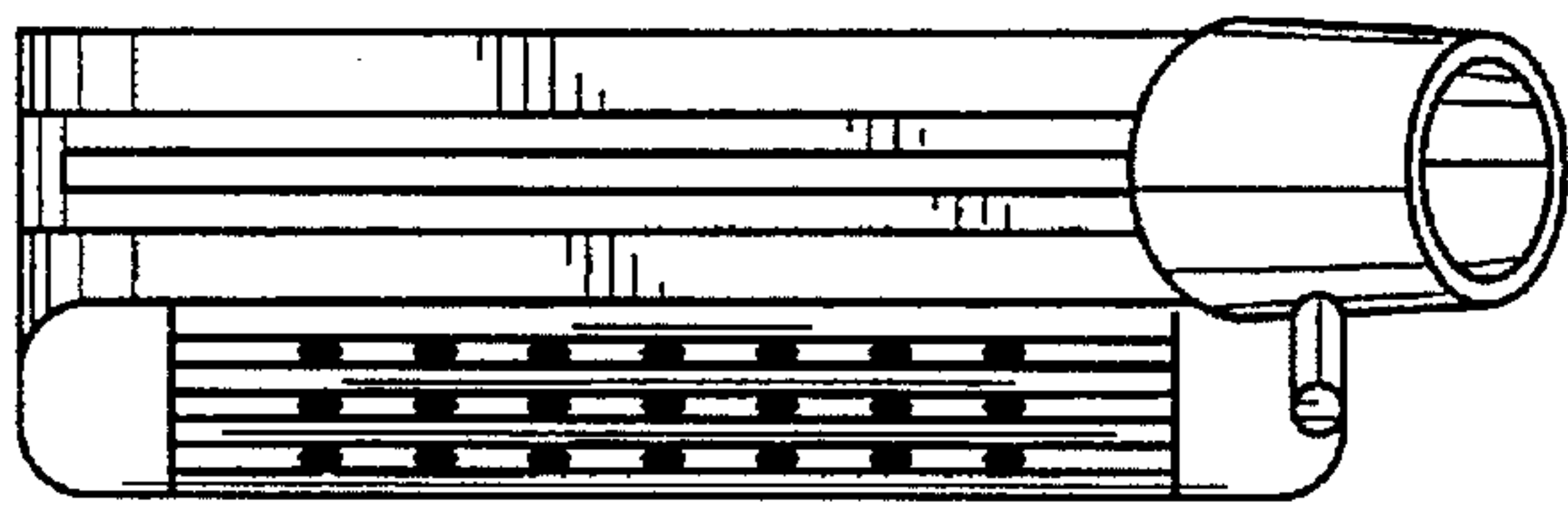


FIG. 7

