



US00D380797S

**United States Patent** [19]  
**Schwan et al.**

[11] **Patent Number: Des. 380,797**  
[45] **Date of Patent: \*\*Jul. 8, 1997**

[54] **BASEBALL PITCHING APPARATUS**

[76] Inventors: **Fred W. Schwan**, 738 Merrimac St.,  
Cary, Ill. 60013; **William C. Francis**,  
1818 Oakleaf Dr., McHenry, Ill. 60050

[\*\*] Term: **14 Years**

[21] Appl. No.: **41,730**

[22] Filed: **Jul. 24, 1995**

[51] **LOC (6) Cl.** ..... **21-01**

[52] **U.S. Cl.** ..... **D21/199; D21/5**

[58] **Field of Search** ..... D21/199, 200,  
D21/5; 273/25, 266 R, 26 A, 26 D, 398,  
400, 402, 410

[56] **References Cited**

**U.S. PATENT DOCUMENTS**

D. 350,569	9/1994	Boteler	.....	D21/5
D. 354,992	1/1995	Hinsperger	.....	D21/5
2,873,969	2/1959	Ziel	.....	273/402 X
4,210,326	7/1980	Booth et al.	.....	273/26 A
4,254,952	3/1981	Playter, Jr.	.....	273/26 A
4,643,423	2/1987	Wright	.....	273/26 A

4,830,369	5/1989	Postras	.....	273/26 A
5,083,774	1/1992	Yalvac	.....	273/26 A
5,271,616	12/1993	Grimaldi	.....	273/26 A
5,524,901	6/1996	Bison et al.	.....	273/26 A X
5,531,449	7/1996	Denton	.....	273/396 X

*Primary Examiner*—Prabhakar G. Deshmukh  
*Assistant Examiner*—Cheri Cohen  
*Attorney, Agent, or Firm*—Michael J. Femal

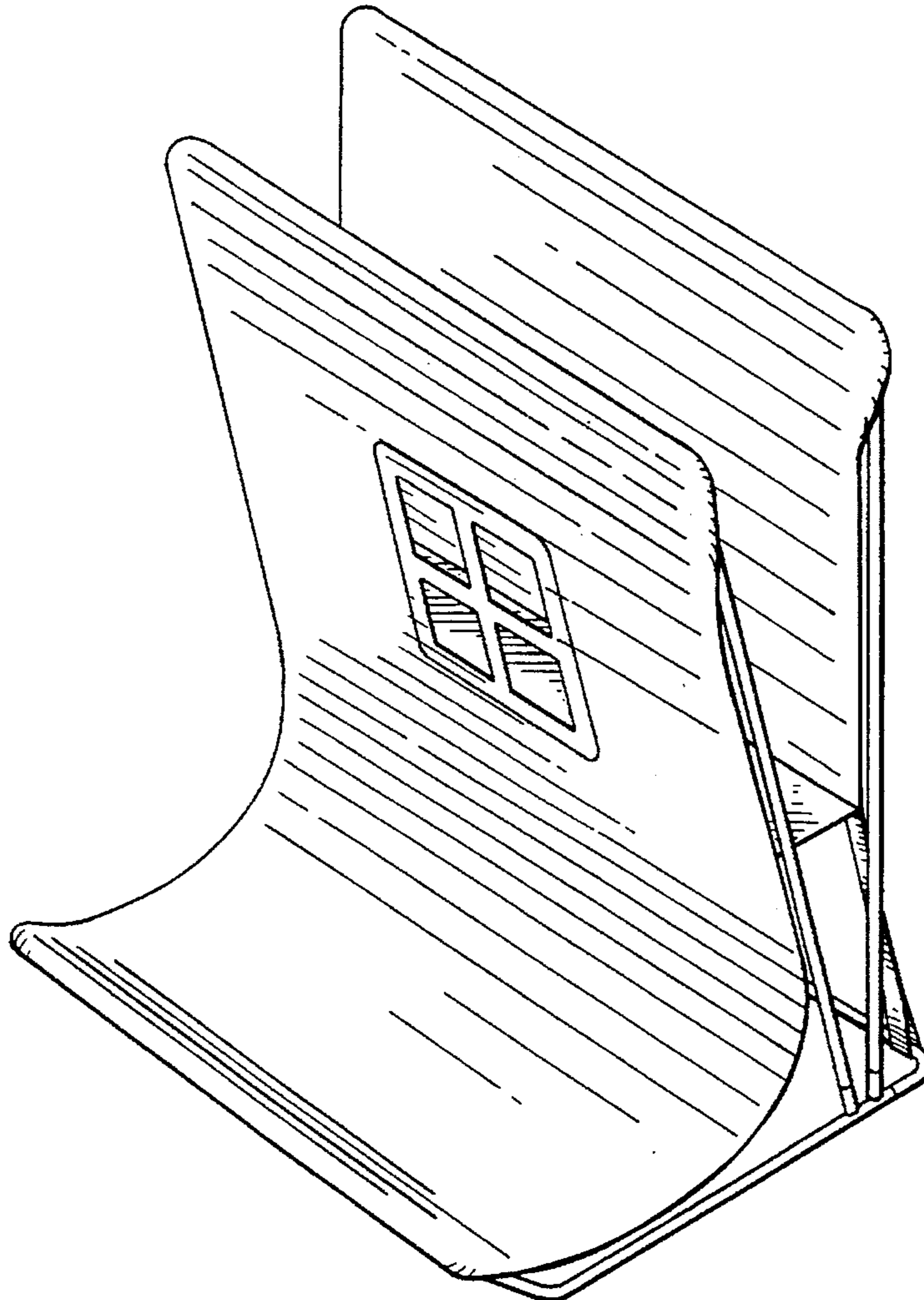
[57] **CLAIM**

The ornamental design for a baseball pitching apparatus, as shown and described.

**DESCRIPTION**

FIG. 1 is a perspective view of a baseball pitching apparatus showing our new design;  
FIG. 2 is a top plan view thereof;  
FIG. 3 is a front elevation view thereof;  
FIG. 4 is a left side elevation view thereof, the opposite side being a mirror image;  
FIG. 5 is a rear elevation view thereof; and,  
FIG. 6 is a bottom plan view thereof.

**1 Claim, 3 Drawing Sheets**



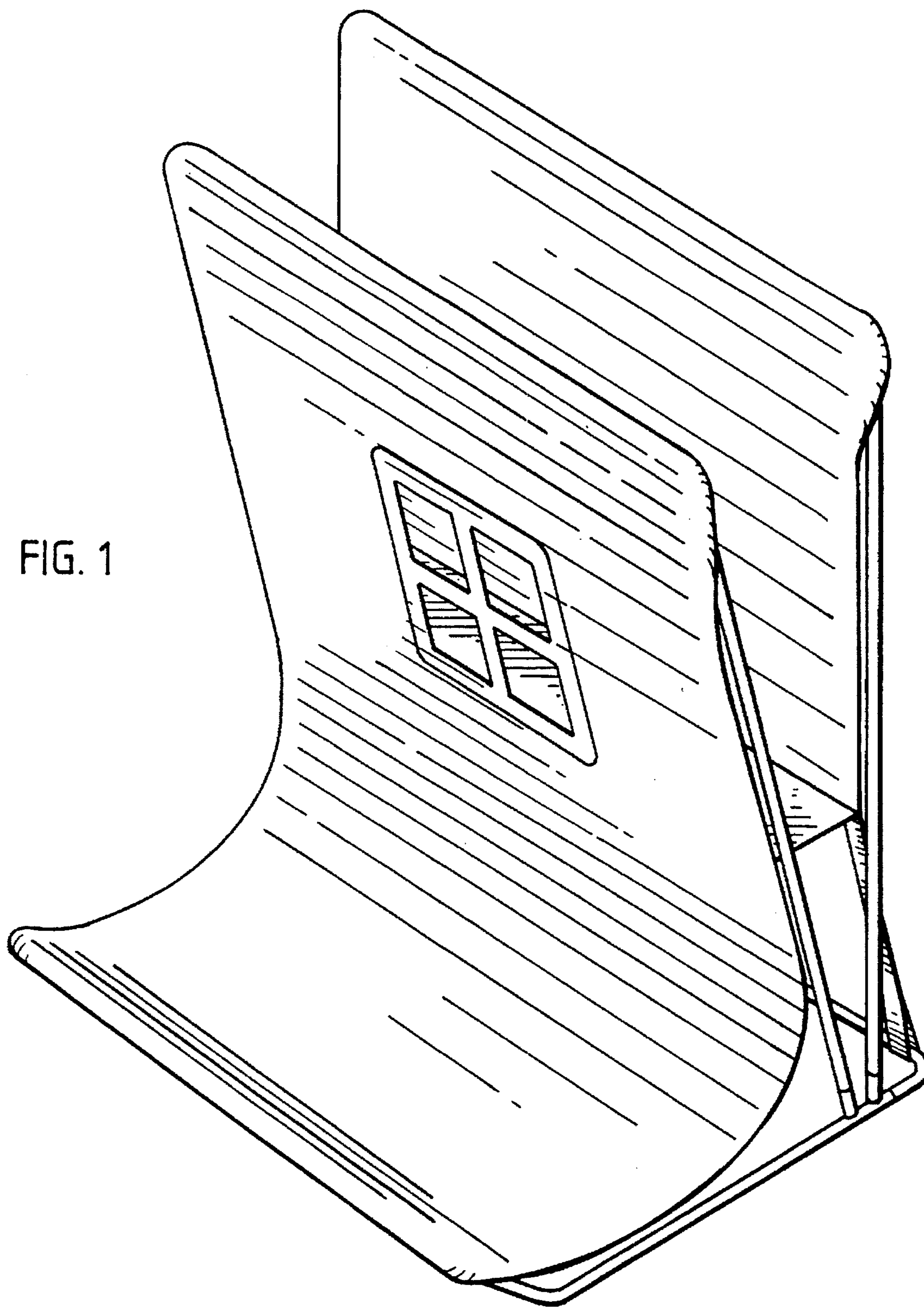


FIG. 1

FIG. 2

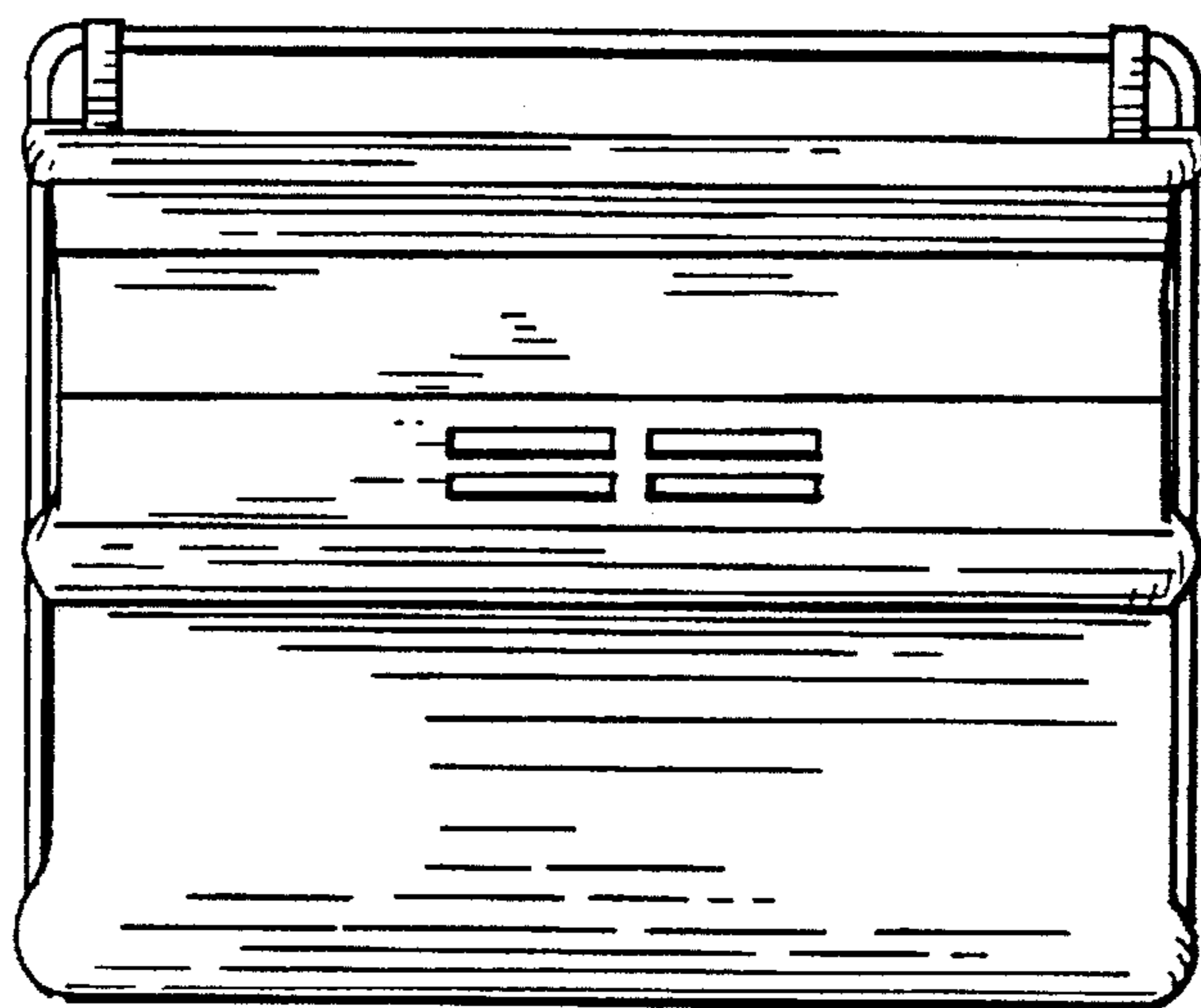


FIG. 3

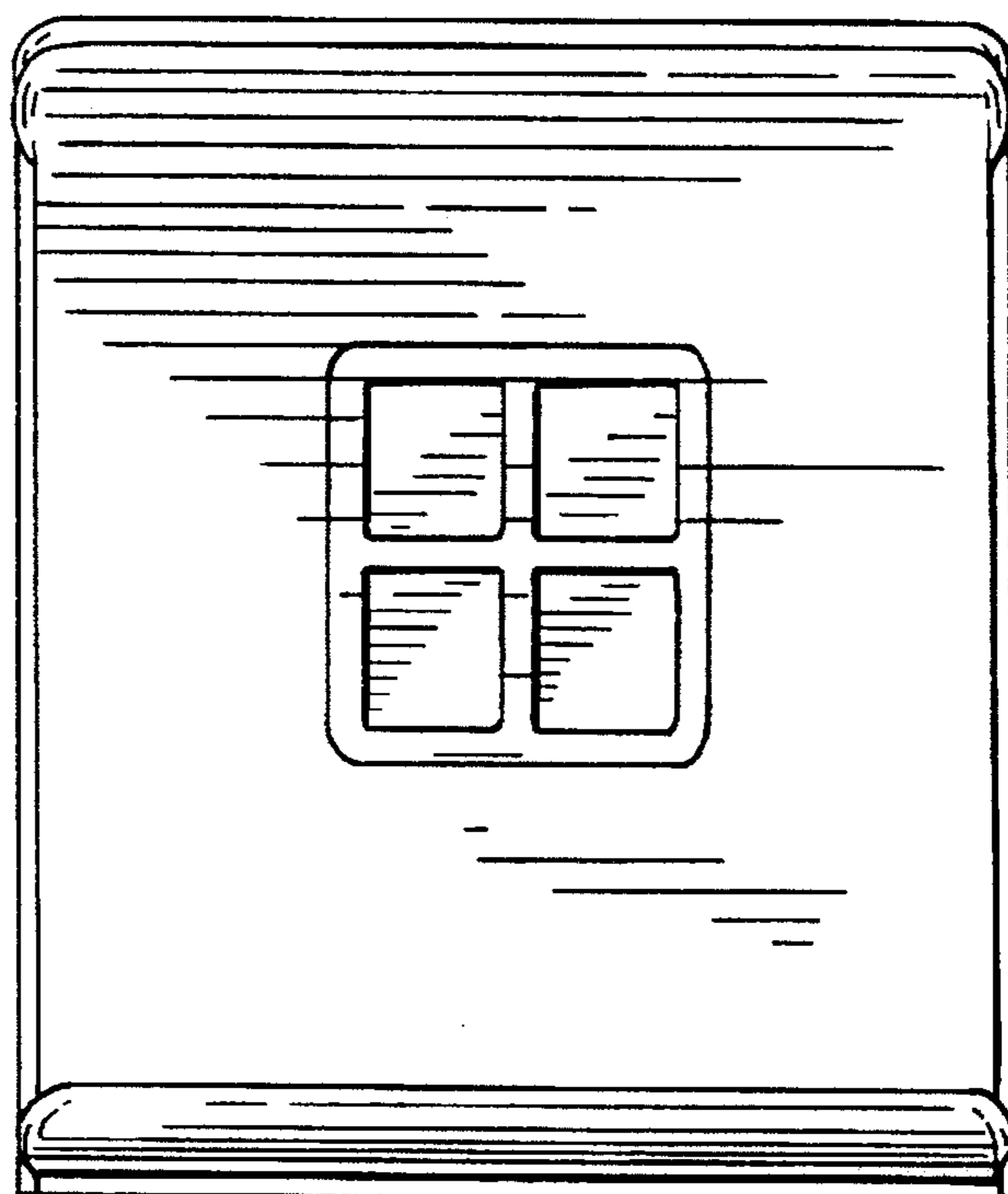


FIG. 4

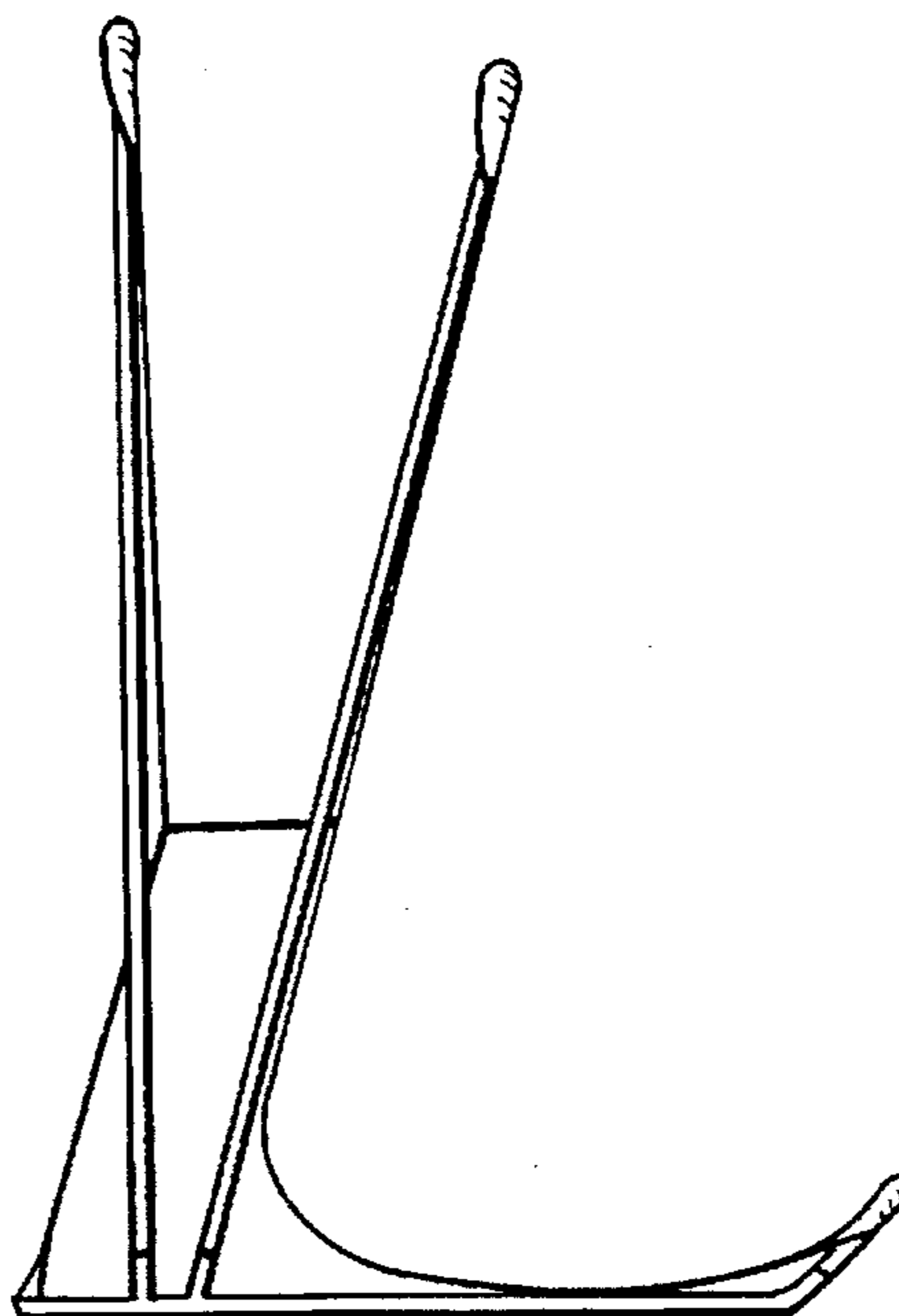


FIG. 5

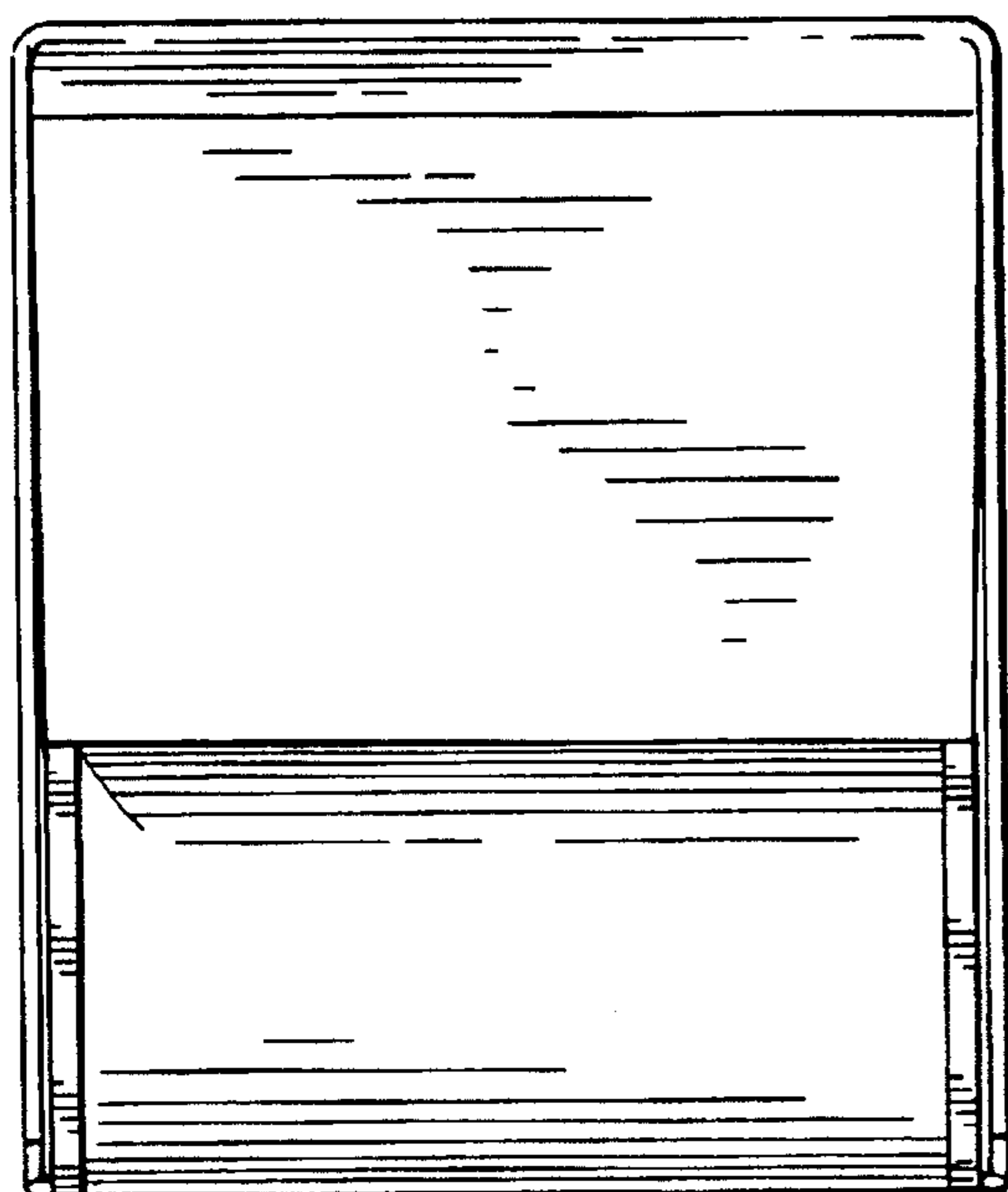


FIG. 6

