



US00D380796S

United States Patent [19]

Wang et al.

[11] Patent Number: **Des. 380,796**

[45] Date of Patent: ****Jul. 8, 1997**

[54] **EXERCISE BIKE**

[75] Inventors: **Leao Wang; Peter Wu**, both of Taichung Hsien, Taiwan

[73] Assignee: **Greenmaster Industrial Corp.**, Taichung Hsien, Taiwan

[**] Term: **14 Years**

[21] Appl. No.: **47,814**

[22] Filed: **Nov. 13, 1995**

Related U.S. Application Data

[63] Continuation-in-part of Ser. No. 41,822, Jul. 25, 1995, Pat. No. Des. 372,284.

[51] LOC (6) Cl. **21-02**

[52] U.S. Cl. **D21/194**

[58] Field of Search D21/191, 192, D21/193, 194, 195; 482/57, 58, 59, 62, 63, 64

[56] References Cited

U.S. PATENT DOCUMENTS

D. 280,226 8/1985 Kasuba et al. D21/194

D. 285,953	9/1986	Gustafsson	D21/194
D. 286,665	11/1986	Kelley	D21/194
D. 291,462	8/1987	Aalto	D21/194
D. 291,713	9/1987	Kiiski	D21/194
D. 296,457	6/1988	Anitua	D21/194
D. 299,504	1/1989	Hong et al.	D21/194
D. 299,732	2/1989	Gustafsson	D21/194
D. 302,990	8/1989	Beistegui	D21/194
D. 307,166	4/1990	Wu	D21/194
5,393,281	2/1995	Chen	482/57

Primary Examiner—Philip S. Hyder
Attorney, Agent, or Firm—Bacon & Thomas

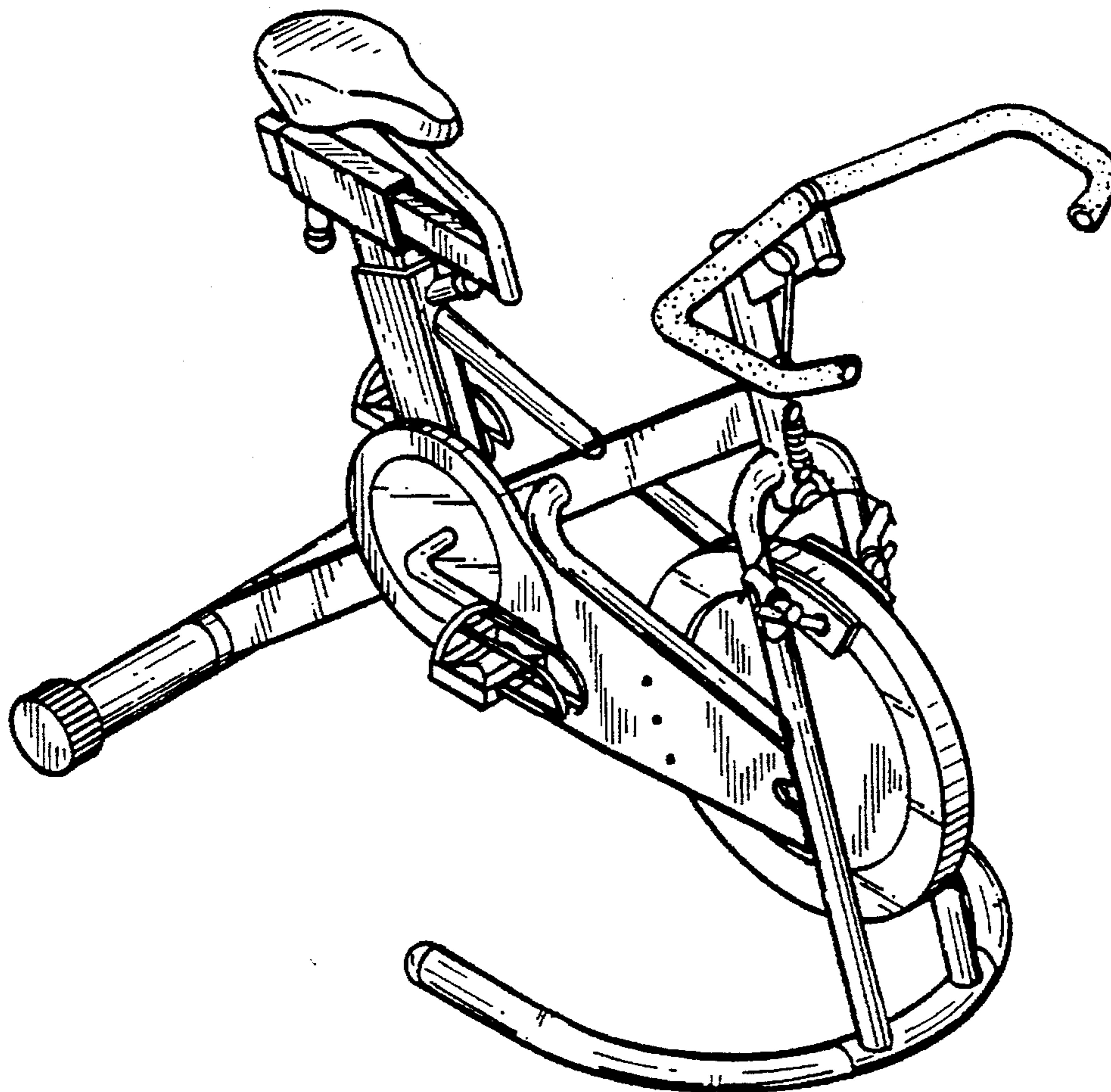
[57] CLAIM

The ornamental design for an exercise bicycle, as shown and described.

DESCRIPTION

FIG. 1 is a perspective view of an exercise bicycle according to my design;
FIG. 2 is a front elevational view thereof;
FIG. 3 is a rear elevational view thereof;
FIG. 4 is a left side elevational view thereof;
FIG. 5 is a right side elevational view thereof;
FIG. 6 is a top plan view thereof; and,
FIG. 7 is a bottom plan view thereof.

1 Claim, 4 Drawing Sheets



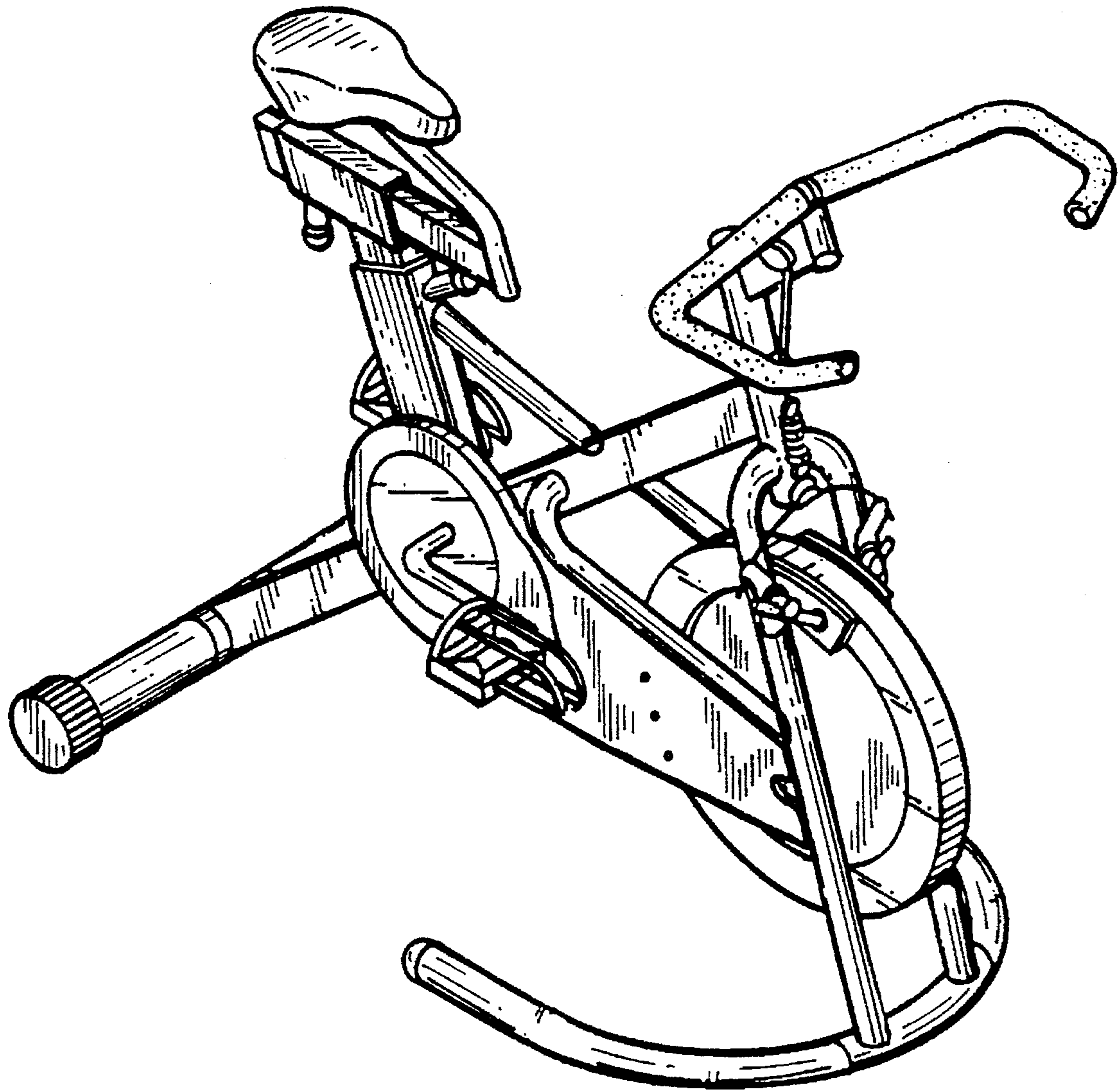


FIG. 1

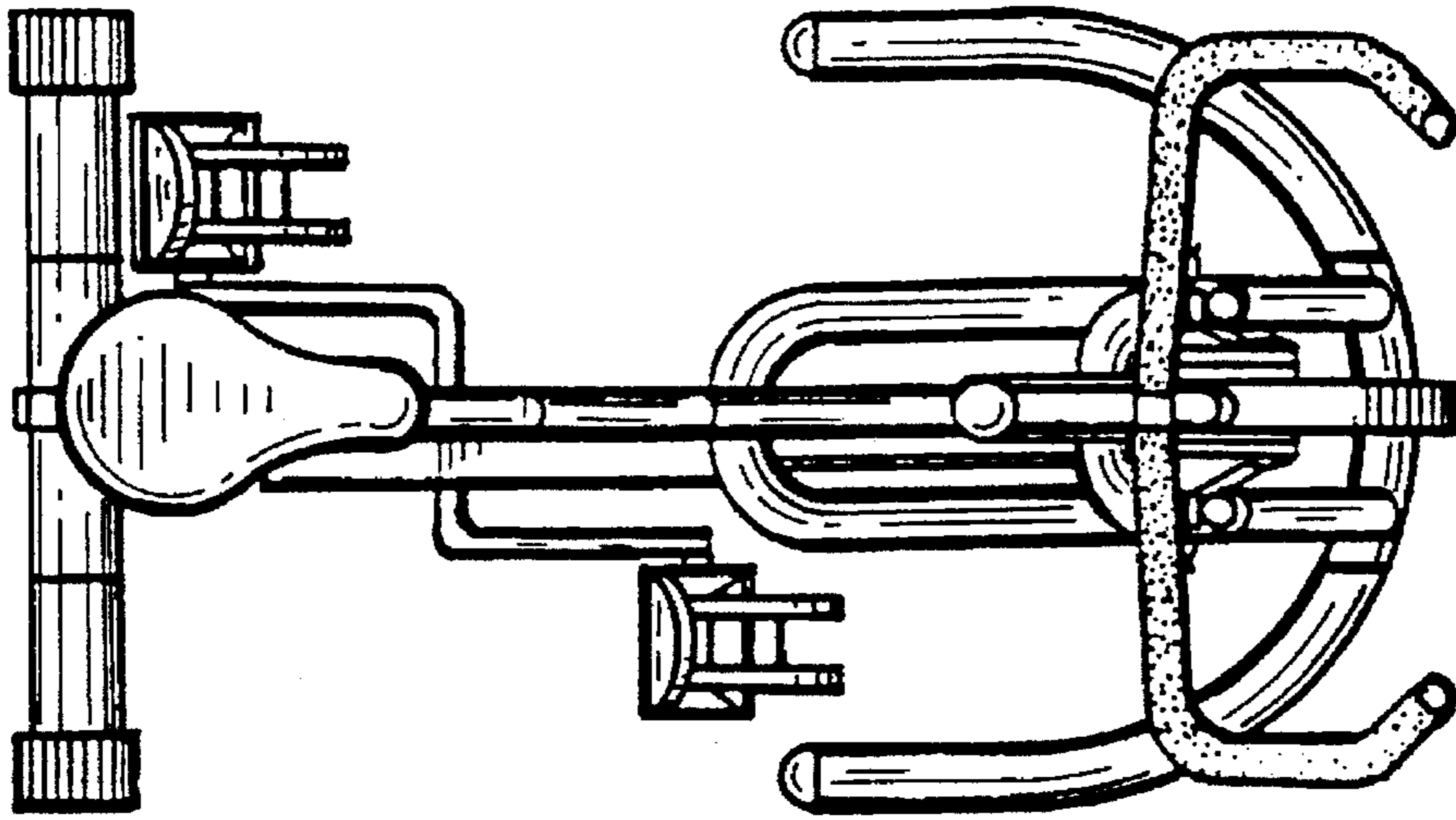


FIG. 6

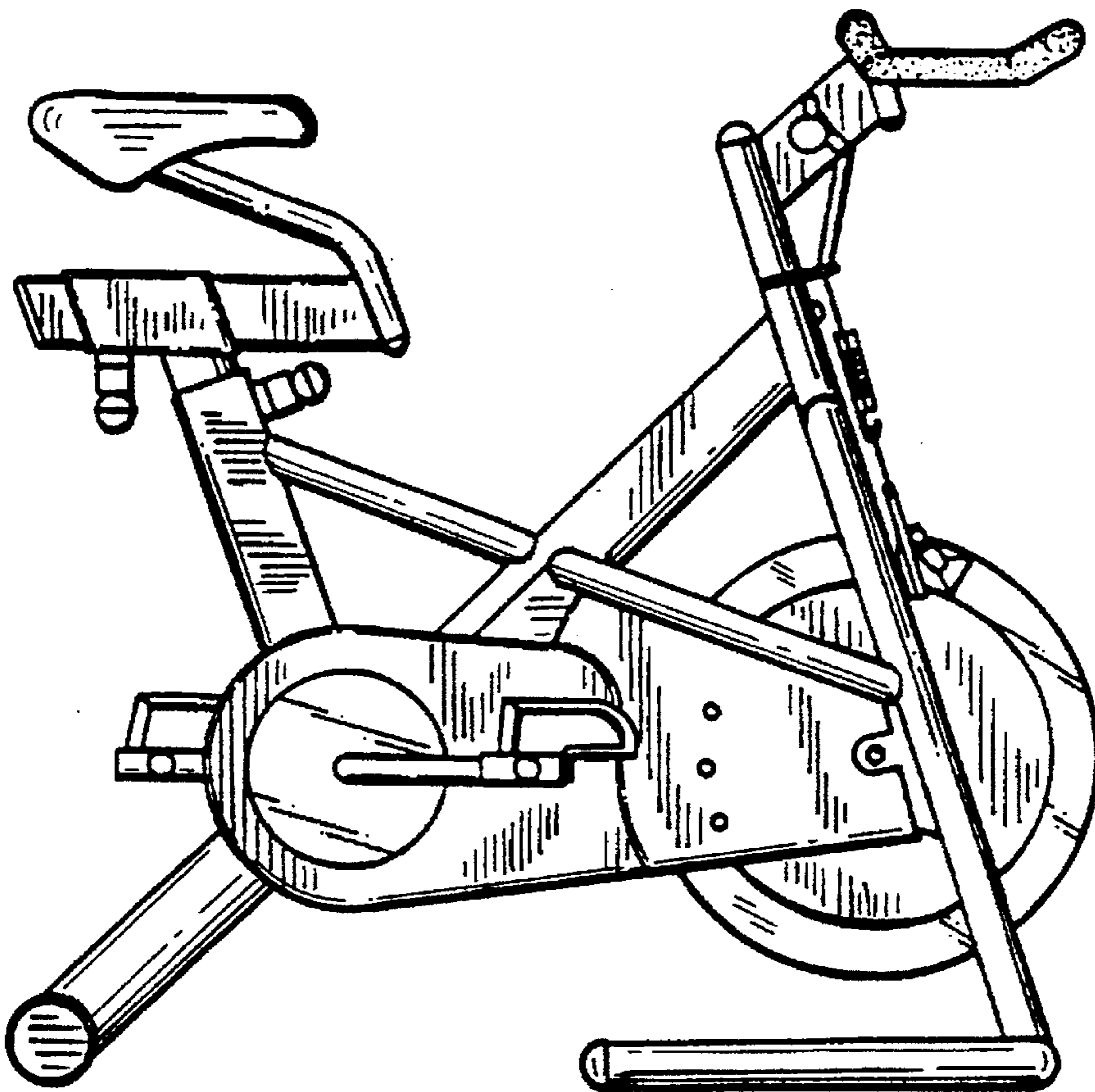


FIG. 2

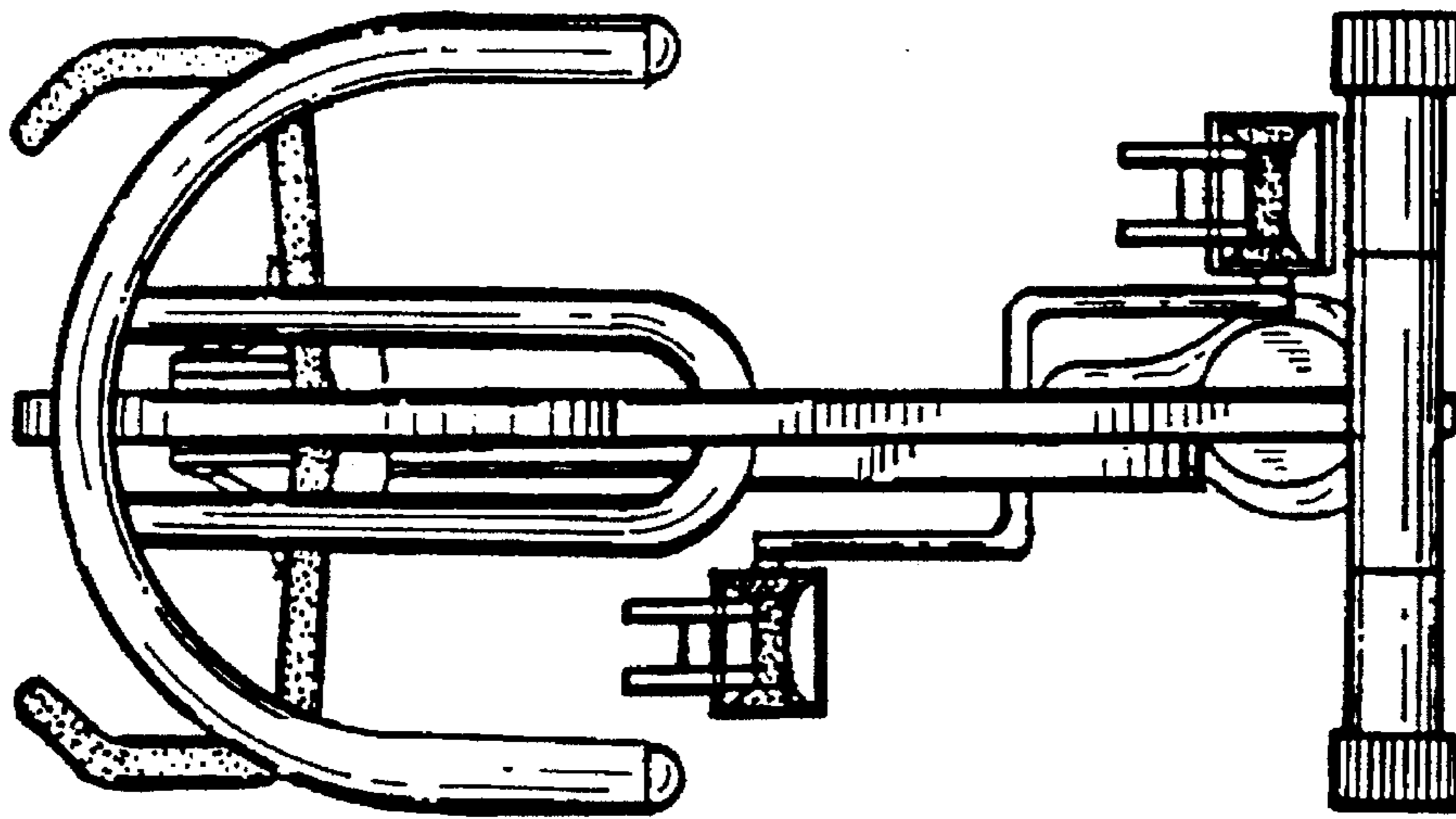


FIG. 7

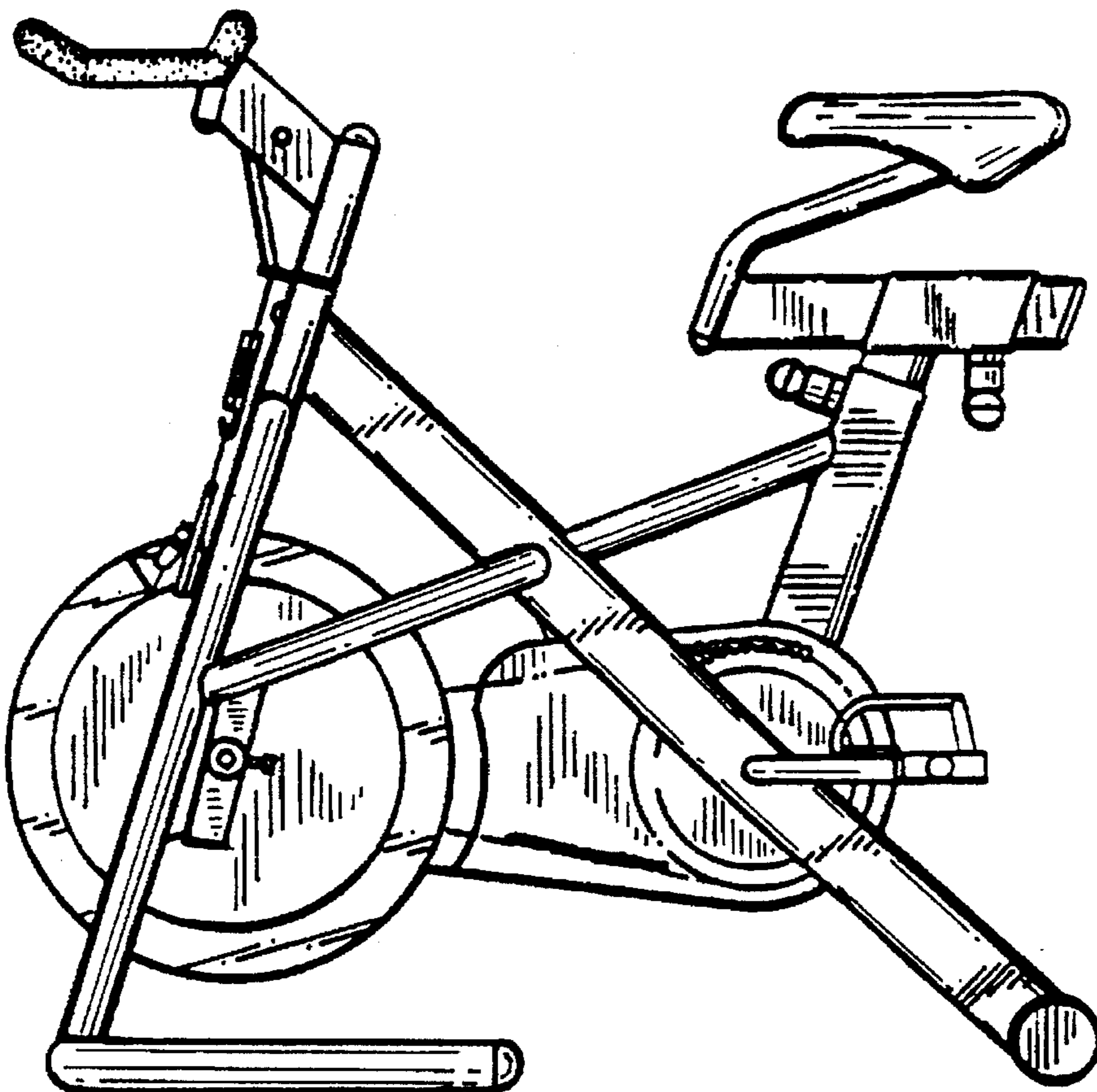


FIG. 3

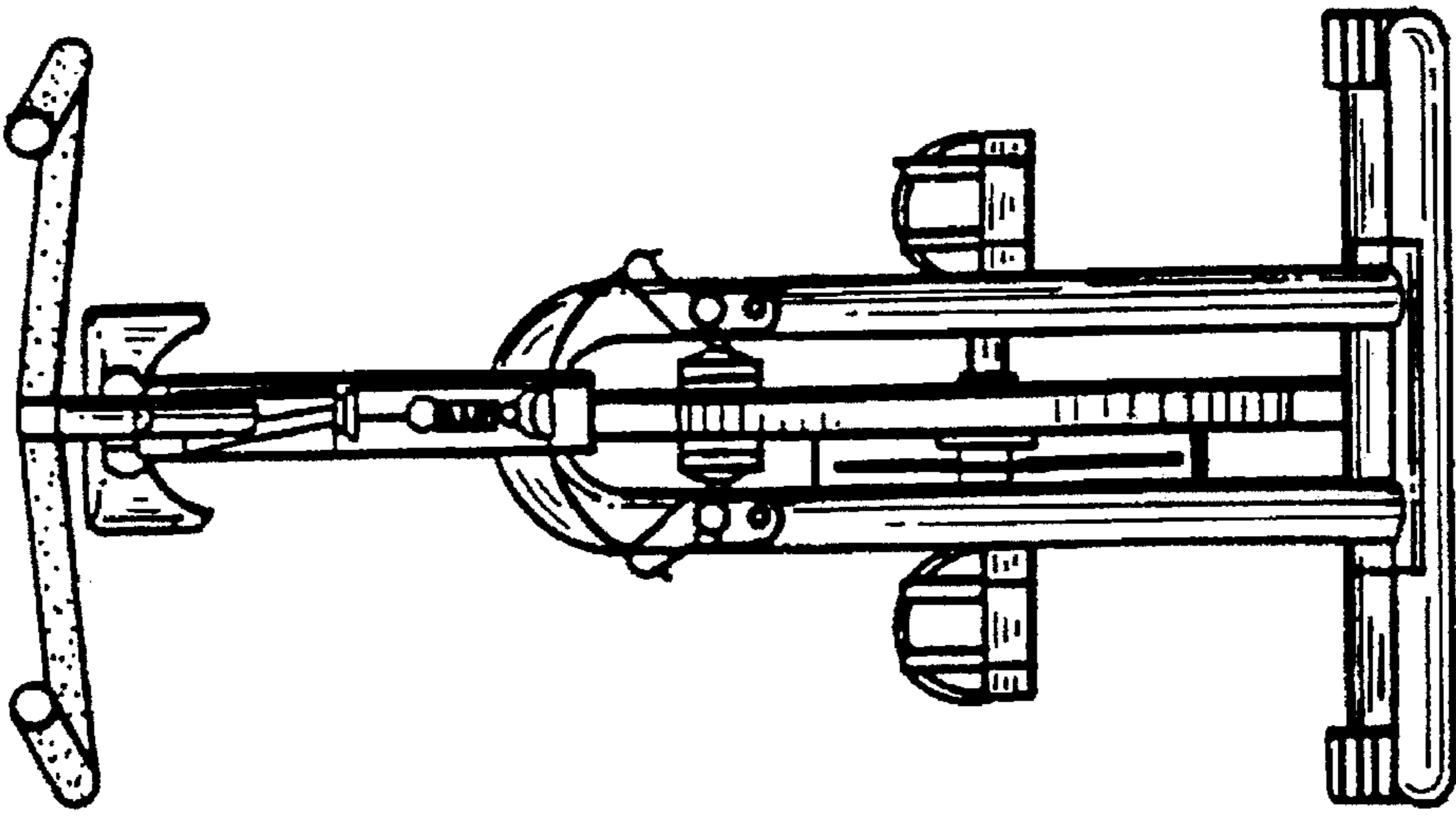


FIG. 5

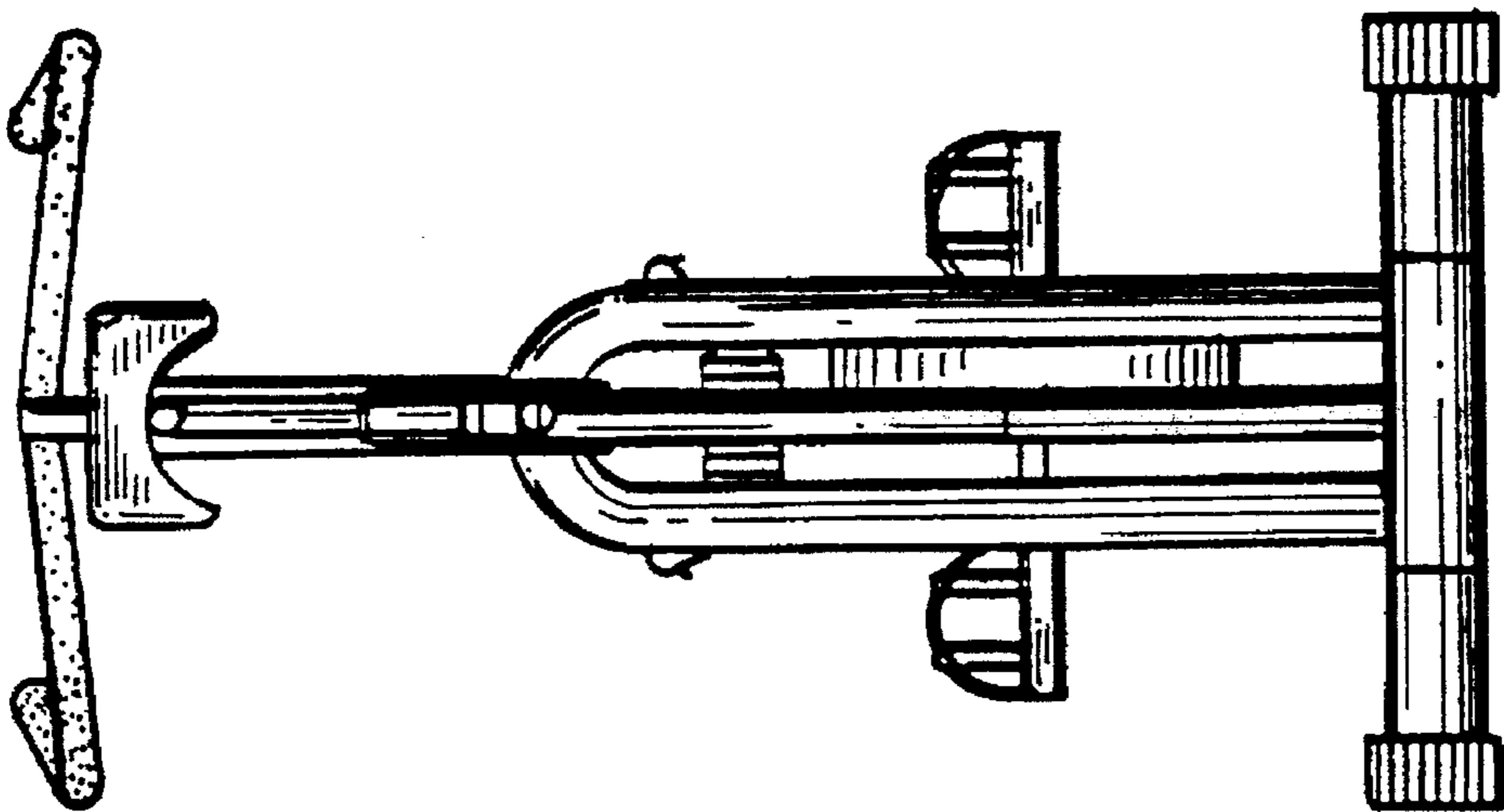


FIG. 4