



US00D380789S

**United States Patent** [19]  
**Gabriel**

[11] **Patent Number: Des. 380,789**  
[45] **Date of Patent: \*\*Jul. 8, 1997**

[54] **RECTANGULAR SUPPORT PANEL FOR BALL AND ROD TOY CONSTRUCTION**

[75] **Inventor: Richard Gabriel, Portland, Oreg.**

[73] **Assignee: Matrix Toys, Ltd., Portland, Oreg.**

[\*\*] **Term: 14 Years**

[21] **Appl. No.: 49,623**

[22] **Filed: Jan. 11, 1996**

[51] **LOC (6) Cl. .... 21-01**

[52] **U.S. Cl. .... D21/108**

[58] **Field of Search .... D21/108; D25/113, D25/61; 446/108, 111-116, 120, 124-126, 128; 52/592.6, 655.2**

[56] **References Cited**

**U.S. PATENT DOCUMENTS**

- D. 330,261 10/1992 Wertz ..... D25/113
- D. 360,659 7/1995 Knudsen ..... D21/108

- 2,786,301 3/1957 Torricelli ..... 446/115
- 4,129,975 12/1978 Gabriel ..... 446/126
- 4,209,934 7/1980 Ogawa ..... 446/126
- 4,556,394 12/1985 Chen ..... 446/116
- 5,222,902 6/1993 Piersch ..... 446/111

*Primary Examiner*—Raphael Barkai  
*Attorney, Agent, or Firm*—Chernoff, Vilhauer, McClung & Stenzel

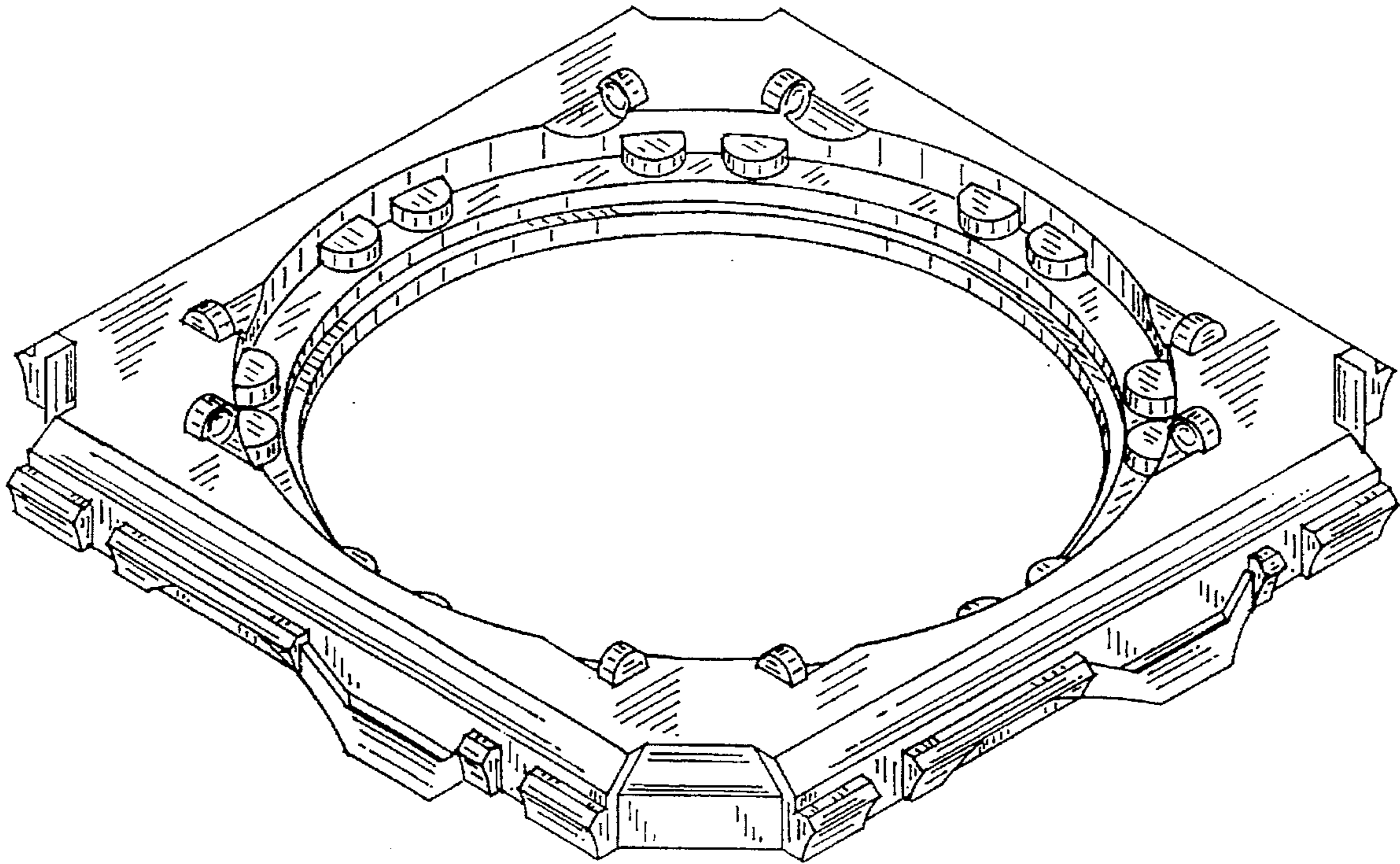
[57] **CLAIM**

The ornamental design for a rectangular support panel for ball and rod toy construction set, as shown and described.

**DESCRIPTION**

FIG. 1 is a perspective view of a rectangular support panel for ball and rod toy construction set showing my new design; FIG. 2 is a top plan view thereof; FIG. 3 is a bottom plan view thereof; and, FIG. 4 is a side elevation view thereof, the opposite side elevation view and both end elevation views being identical thereto.

**1 Claim, 3 Drawing Sheets**



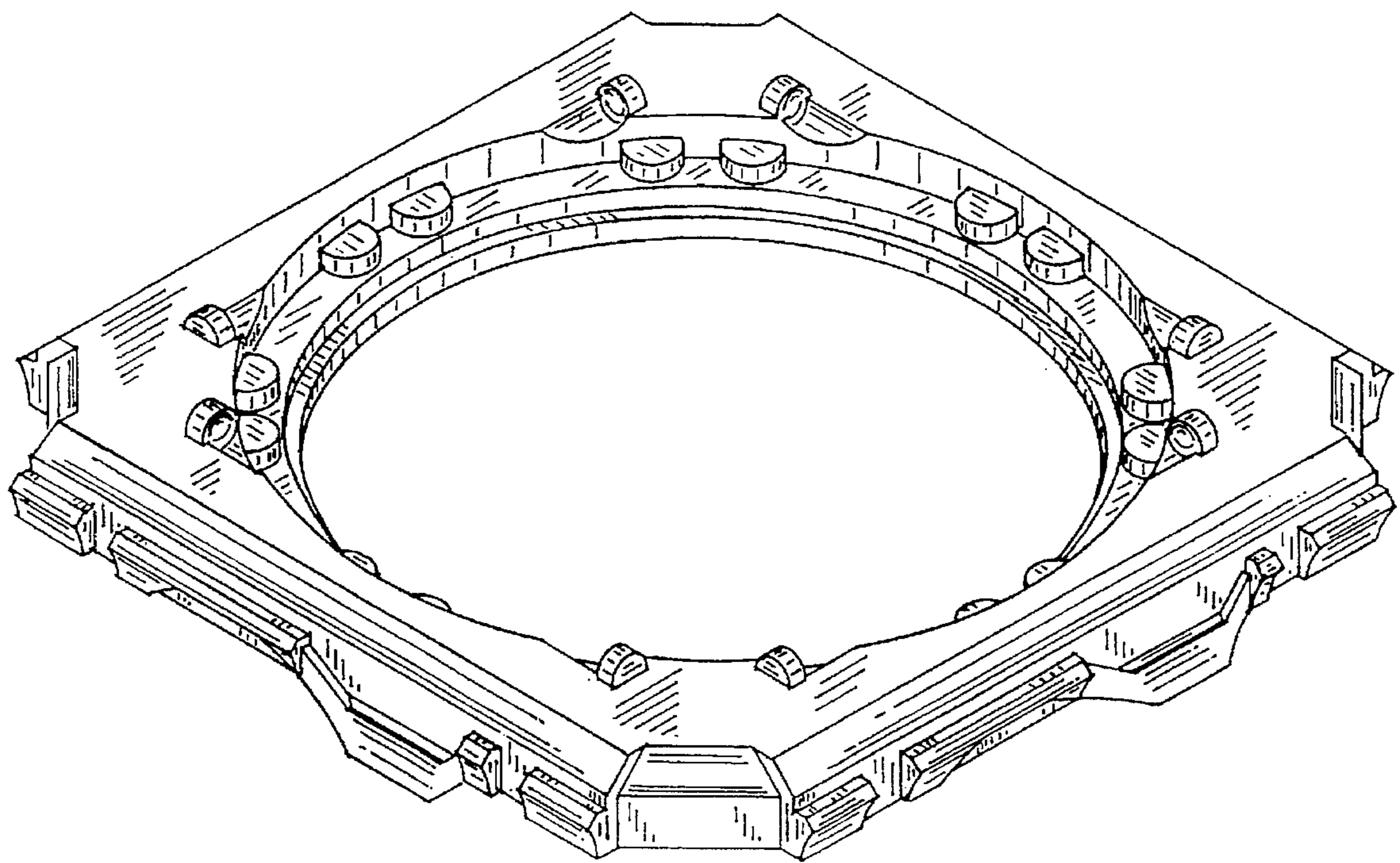


FIG. 1

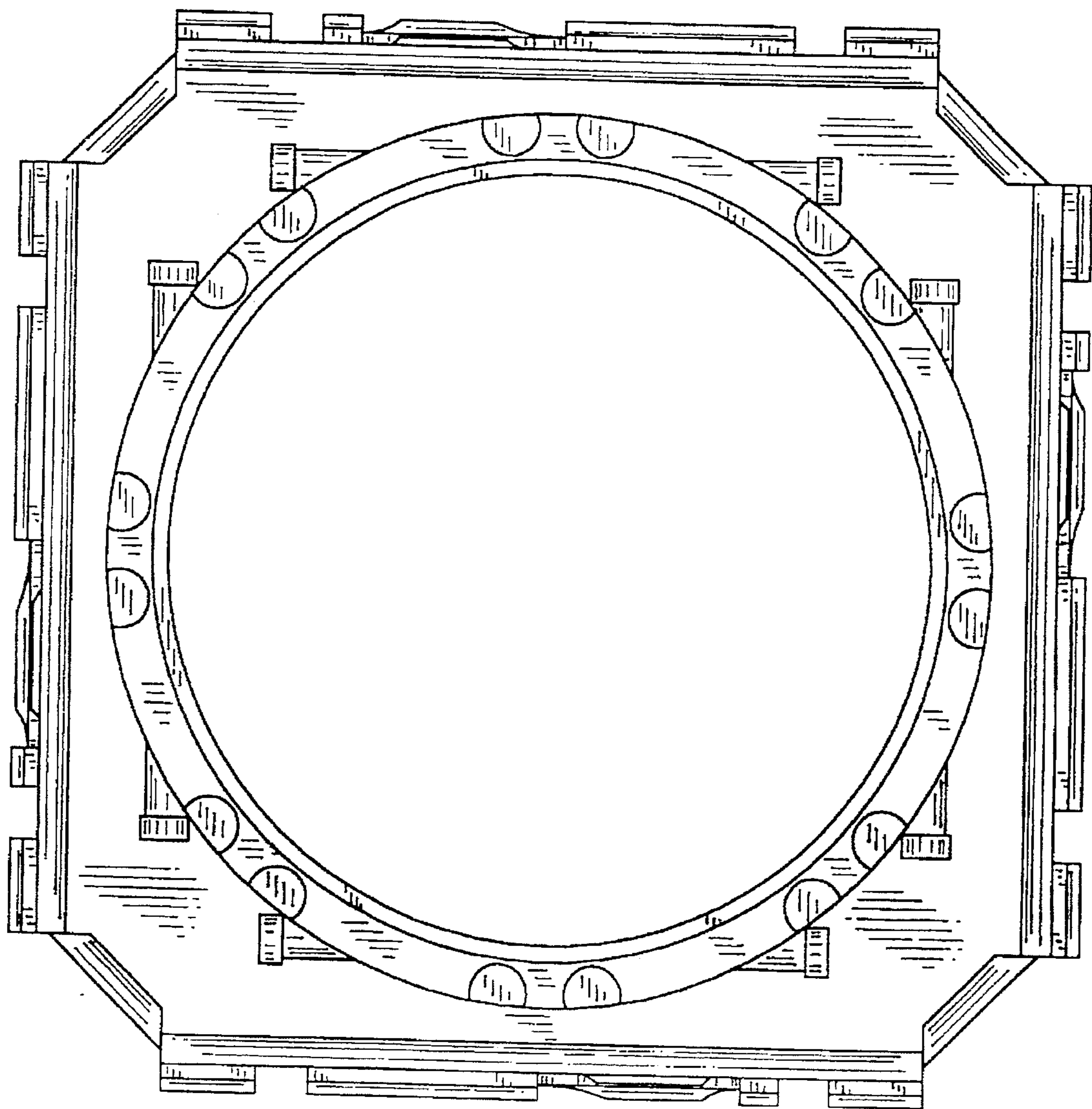


FIG. 2

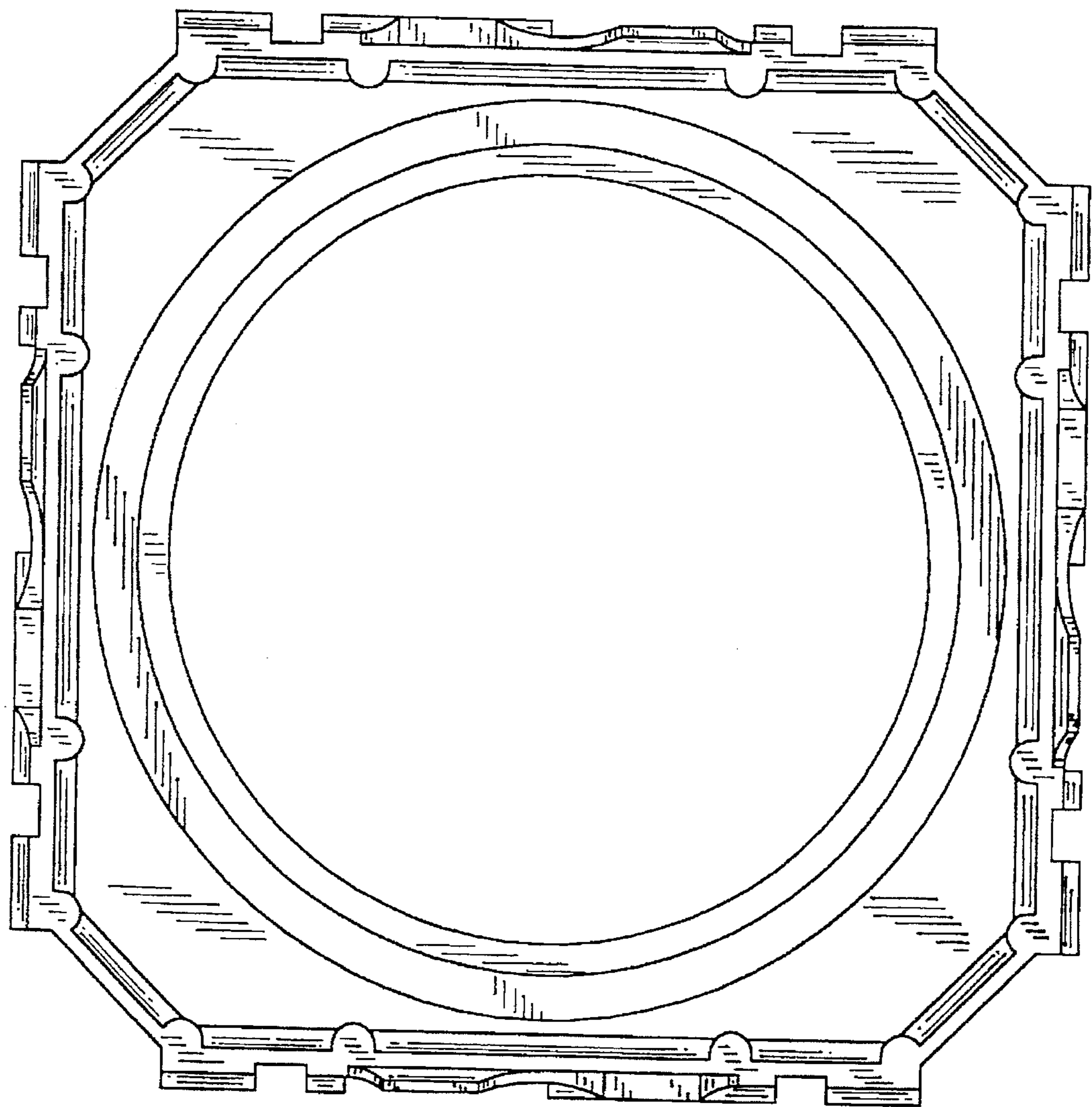


FIG. 3

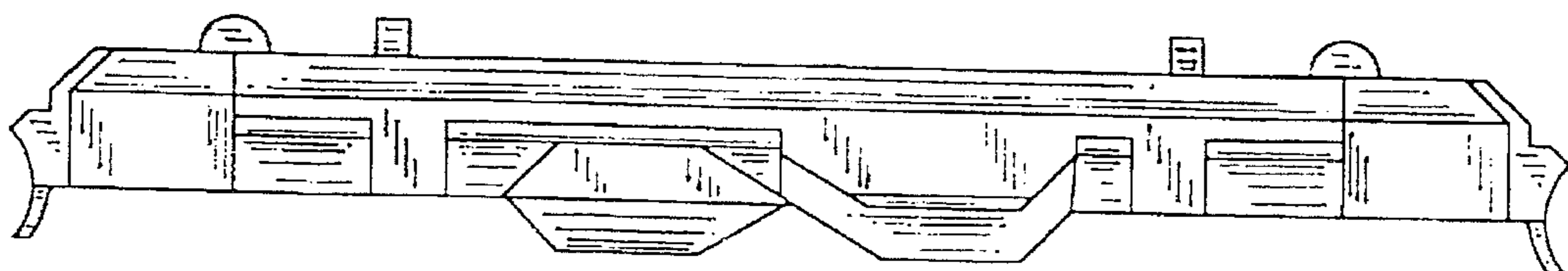


FIG. 4