



US00D380788S

**United States Patent** [19]  
**Gabriel**

[11] **Patent Number:** **Des. 380,788**  
[45] **Date of Patent:** **\*\*Jul. 8, 1997**

[54] **SHALLOW DOME FOR BALL AND ROD TOY CONSTRUCTION SET**

2,909,867 10/1959 Hobson ..... 446/116  
4,106,657 8/1978 Dogliotti ..... D21/108  
5,137,485 8/1992 Penner ..... 446/111

[75] Inventor: **Richard Gabriel**, Portland, Oreg.

*Primary Examiner*—Raphael Barkai

[73] Assignee: **Matrix Toys, Ltd.**, Portland, Oreg.

*Attorney, Agent, or Firm*—Chernoff, Vilhauer, McClung & Stenzel

[\*\*] Term: **14 Years**

[57] **CLAIM**

[21] Appl. No.: **48,861**

The ornamental design for a shallow dome for ball and rod toy construction set, as shown and described.

[22] Filed: **Jan. 11, 1996**

**DESCRIPTION**

[51] **LOC (6) Cl.** ..... **21-01**

[52] **U.S. Cl.** ..... **D21/108**

[58] **Field of Search** ..... D21/108; 446/111-116,  
446/120, 124-126, 128

FIG. 1 is a perspective view of a shallow dome for ball and rod toy construction set showing my new design;

FIG. 2 is a top plan view thereof;

FIG. 3 is a bottom plan view thereof;

FIG. 4 is a front elevation view thereof, the rear elevation view being identical thereto; and,

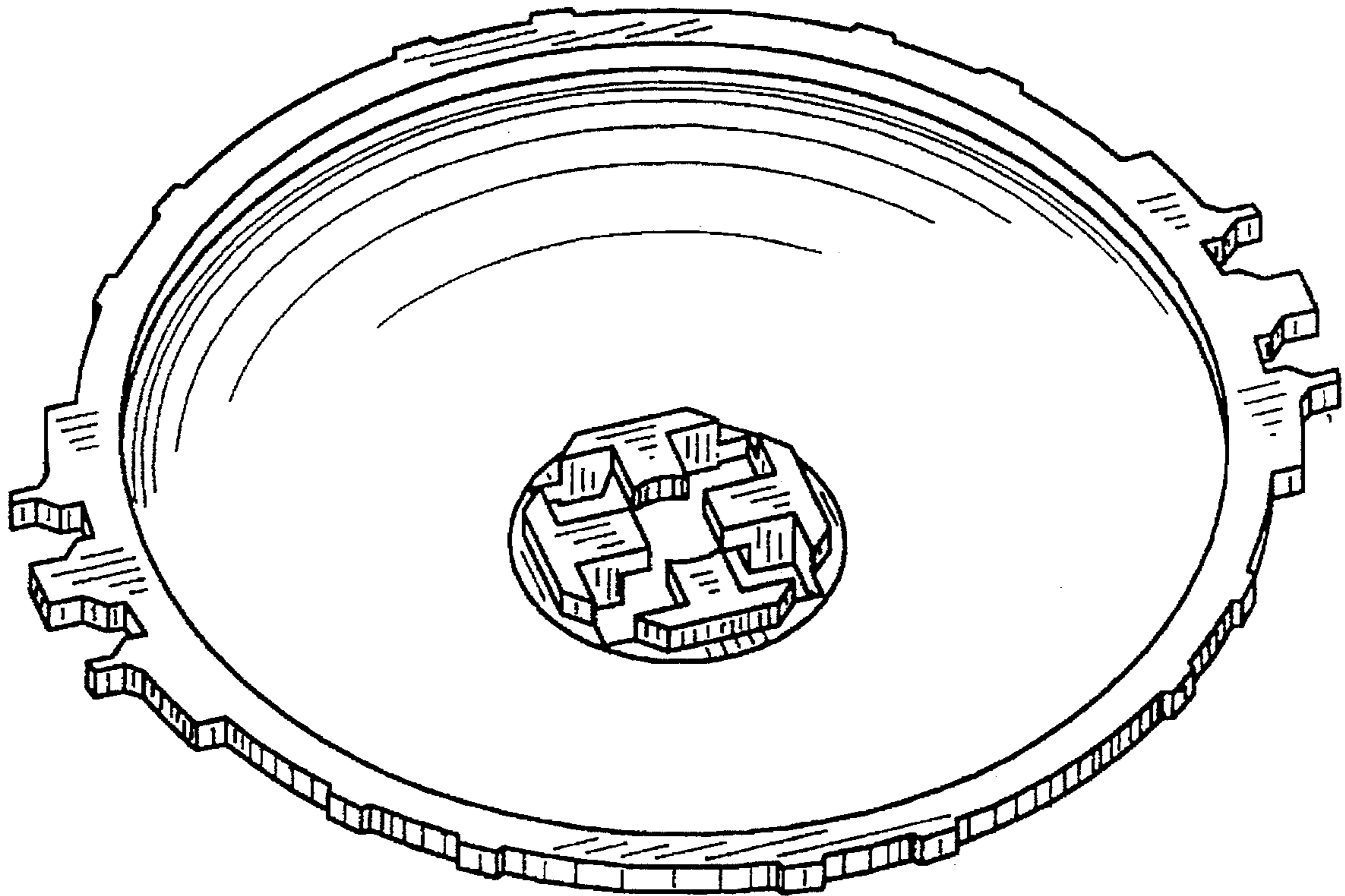
FIG. 5 is a side elevation view thereof, the opposite side elevation view being identical thereto.

[56] **References Cited**

**U.S. PATENT DOCUMENTS**

D. 197,655	3/1964	Kuhn	.....	D21/108
D. 243,204	1/1977	Molenaar	.....	D21/108
D. 260,662	9/1981	Hida	.....	D21/108
2,814,159	11/1957	Green	.....	446/115

**1 Claim, 2 Drawing Sheets**



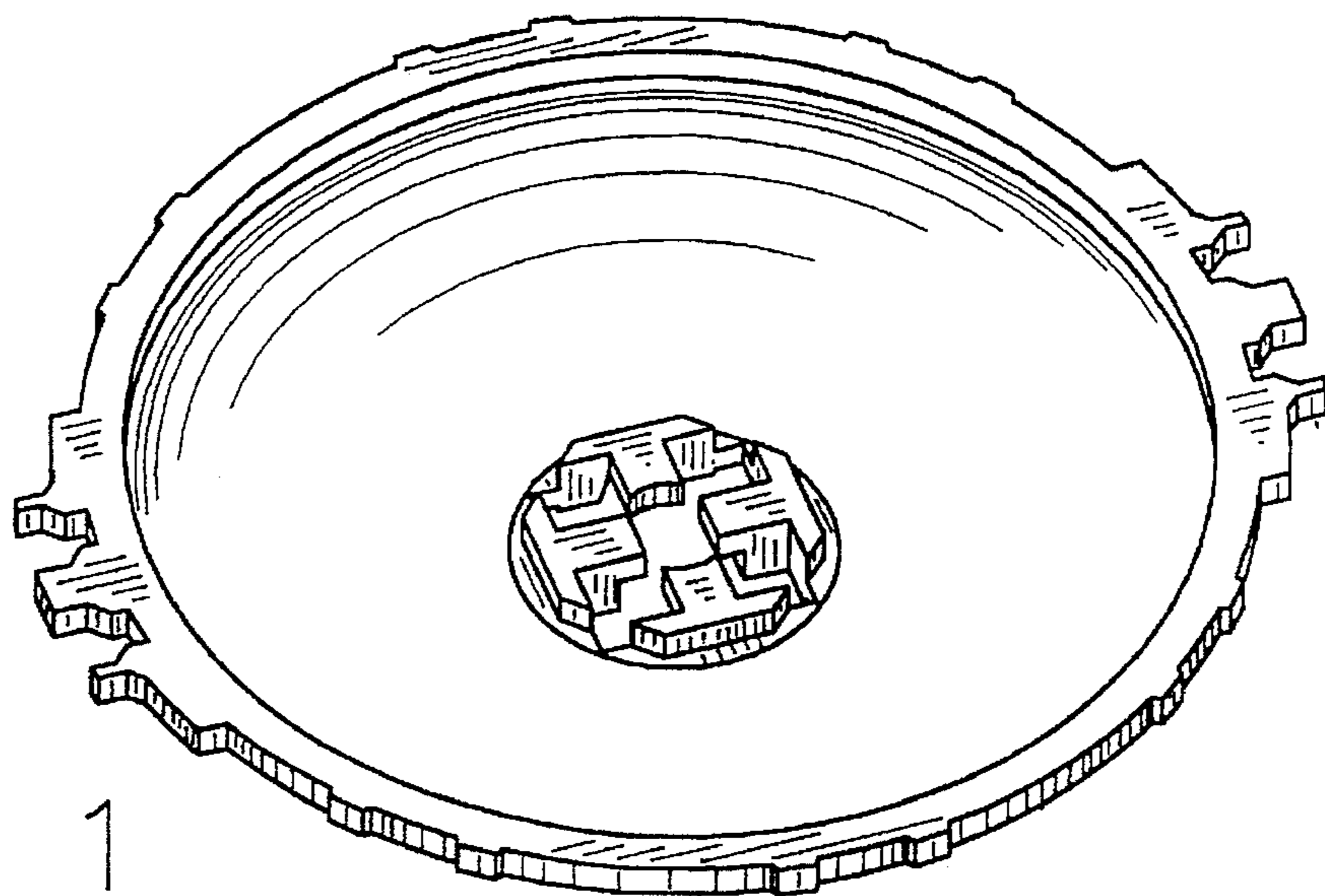


FIG. 1

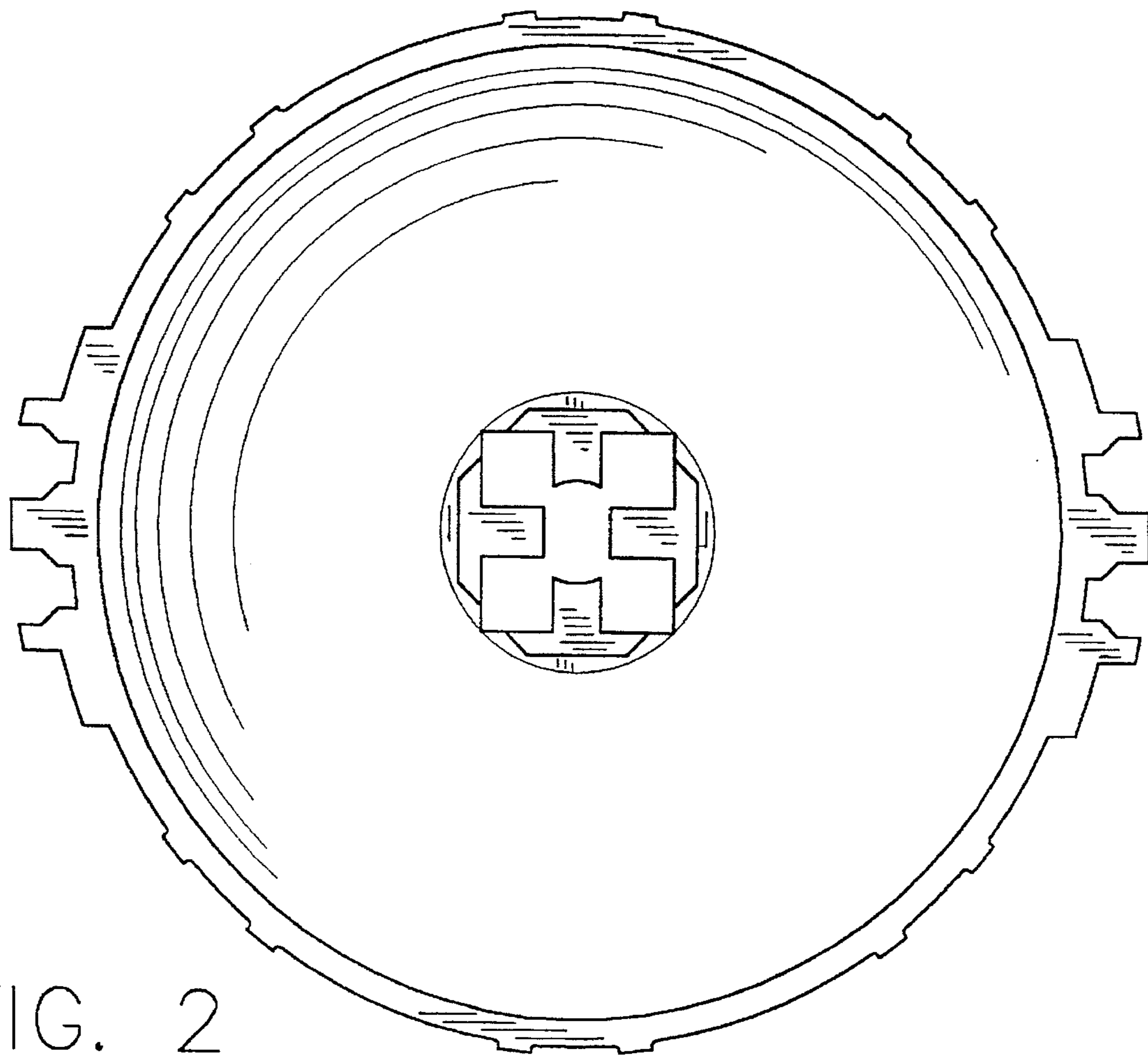


FIG. 2

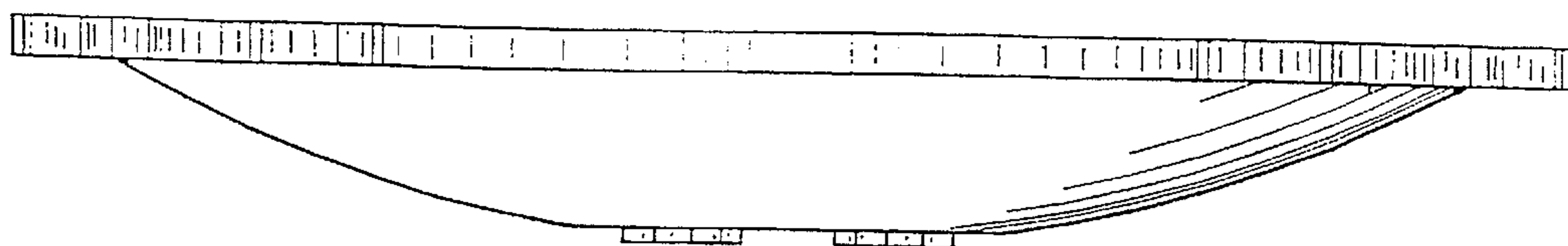


FIG. 4

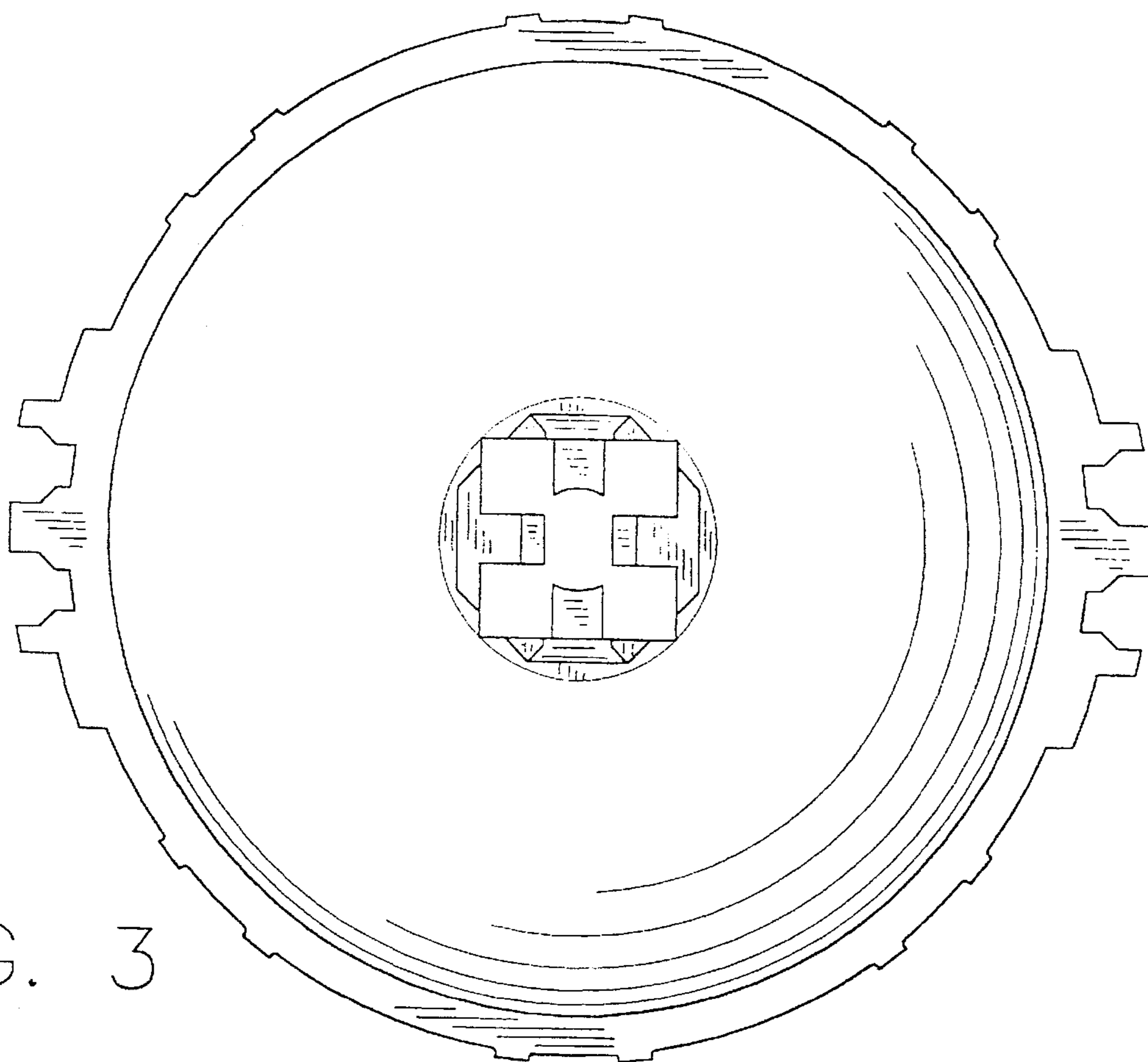


FIG. 3

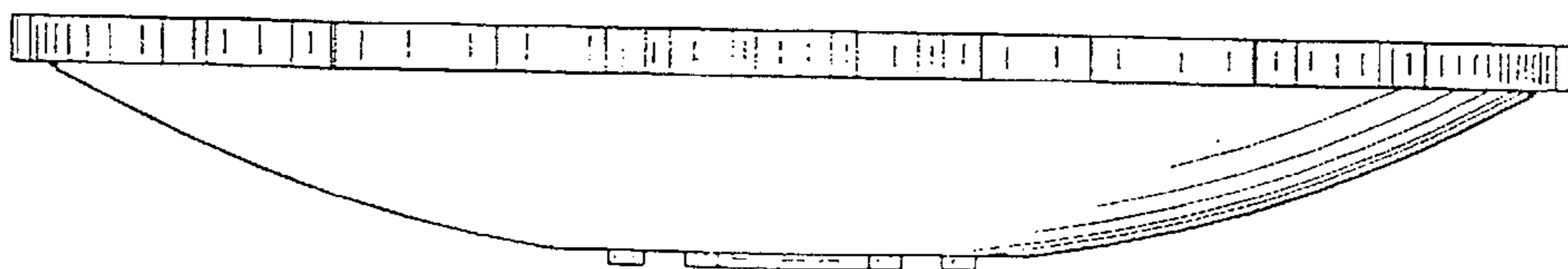


FIG. 5