



US00D380787S

United States Patent [19]
Gabriel

[11] **Patent Number: Des. 380,787**
[45] **Date of Patent: **Jul. 8, 1997**

[54] **RAISED EQUILATERAL TRIANGULAR
PANEL FOR BALL AND ROD TOY
CONSTRUCTION SET**

5,100,358 3/1992 Volgger 446/116
5,183,430 2/1993 Swann 446/111
5,400,918 3/1995 Prodaniuk 446/115
5,472,365 12/1995 Engel 446/115

[75] Inventor: **Richard Gabriel**, Portland, Oreg.
[73] Assignee: **Matrix Toys, Ltd.**, Portland, Oreg.
[**] Term: **14 Years**

Primary Examiner—Raphael Barkai
Attorney, Agent, or Firm—Chernoff, Vilhauer, McClung & Stenzel

[21] Appl. No.: **48,709**
[22] Filed: **Jan. 11, 1996**

[57] **CLAIM**
The ornamental design for a raised equilateral triangular panel for ball and rod toy construction set, as shown and described.

[51] **LOC (6) Cl.** **21-01**
[52] **U.S. Cl.** **D21/108**
[58] **Field of Search** D21/108; 446/108,
446/111-116, 120, 124-126, 128

DESCRIPTION

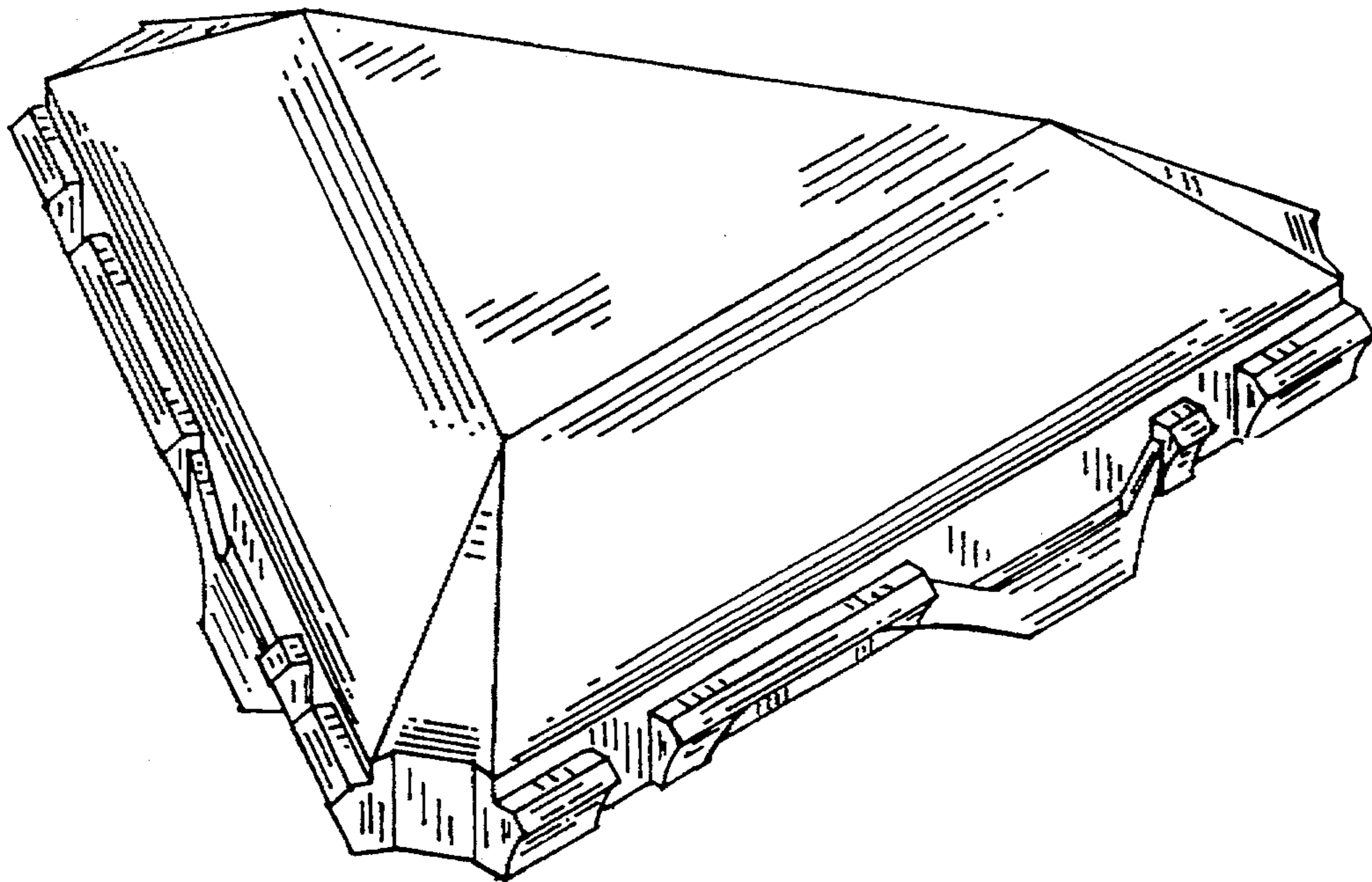
FIG. 1 is a perspective view of a raised equilateral triangular panel for ball and rod toy construction set showing my new design;
FIG. 2 is a top plan view thereof;
FIG. 3 is a bottom plan view thereof;
FIG. 4 is an end elevation view thereof;
FIG. 5 is an opposite end elevational view thereof; and,
FIG. 6 is a side elevation view thereof, the opposite side elevation view being a mirror image thereof.

[56] **References Cited**

U.S. PATENT DOCUMENTS

D. 234,706 4/1975 Harvey D21/108
269,789 12/1882 Jaeger 446/112
D. 285,222 8/1986 Nakata D21/108
4,055,019 10/1977 Harvey 446/115
4,129,975 12/1978 Gabriel 446/126
4,685,892 8/1987 Gould et al. 446/115

1 Claim, 1 Drawing Sheet



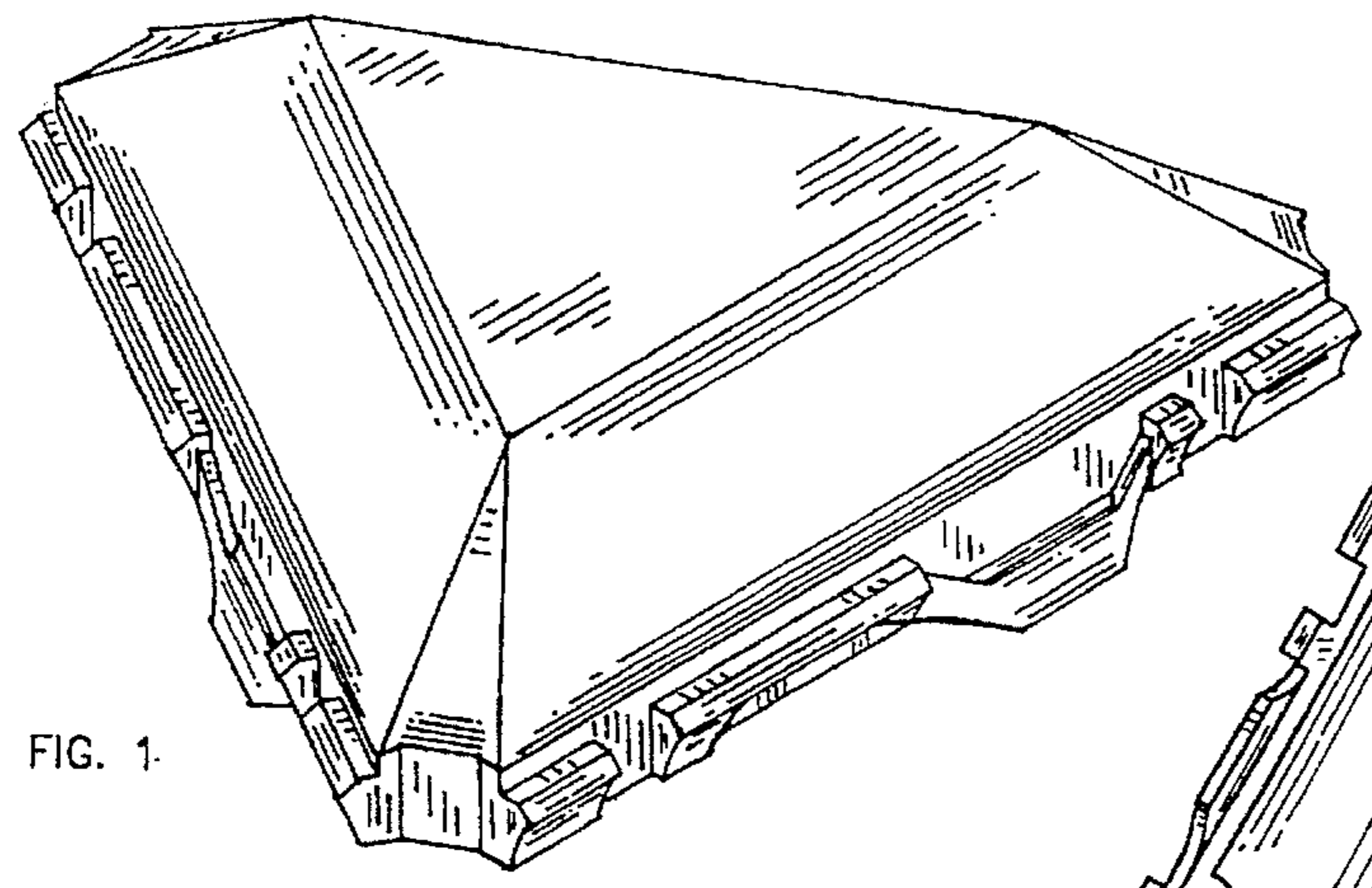


FIG. 1

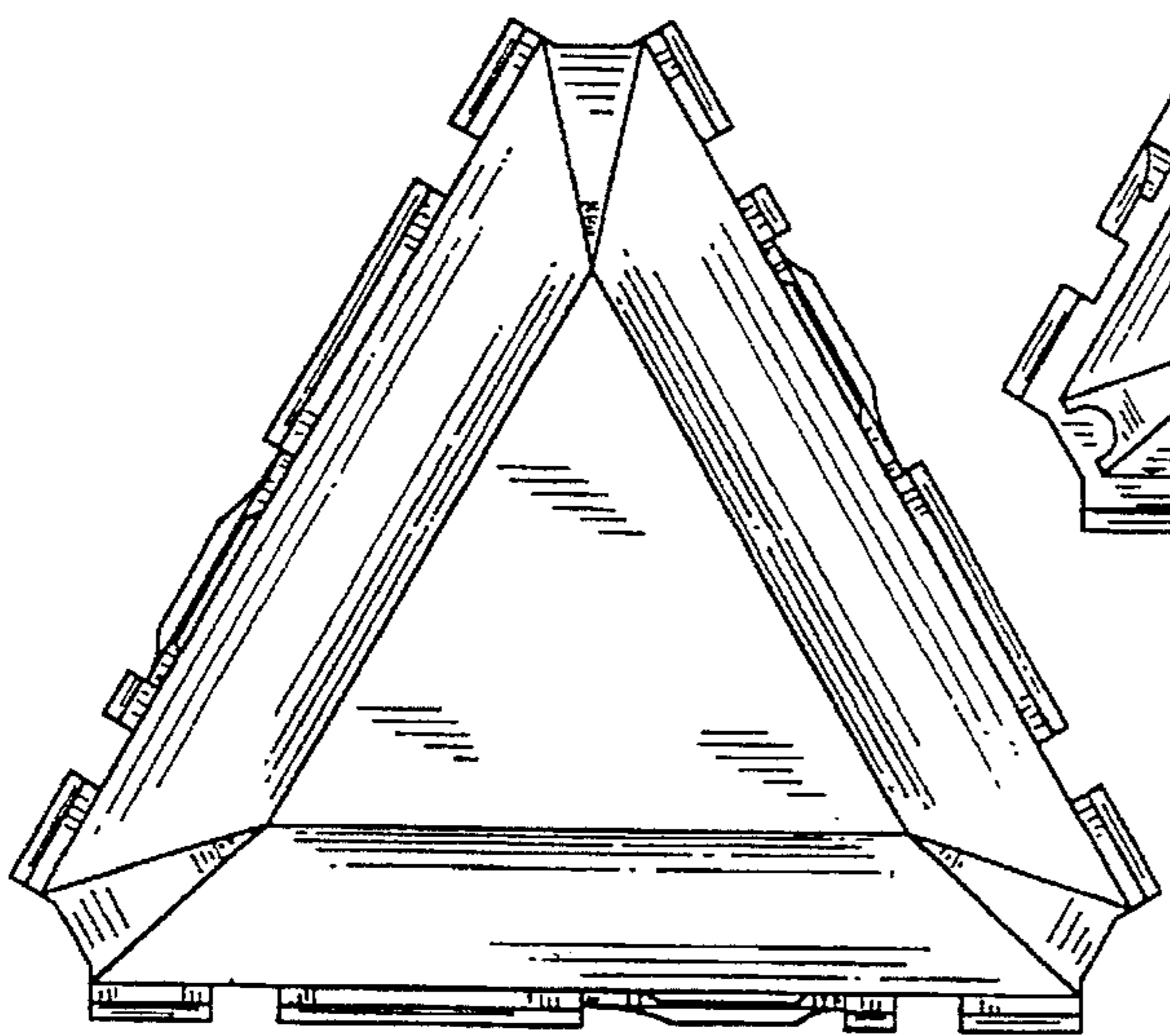


FIG. 2

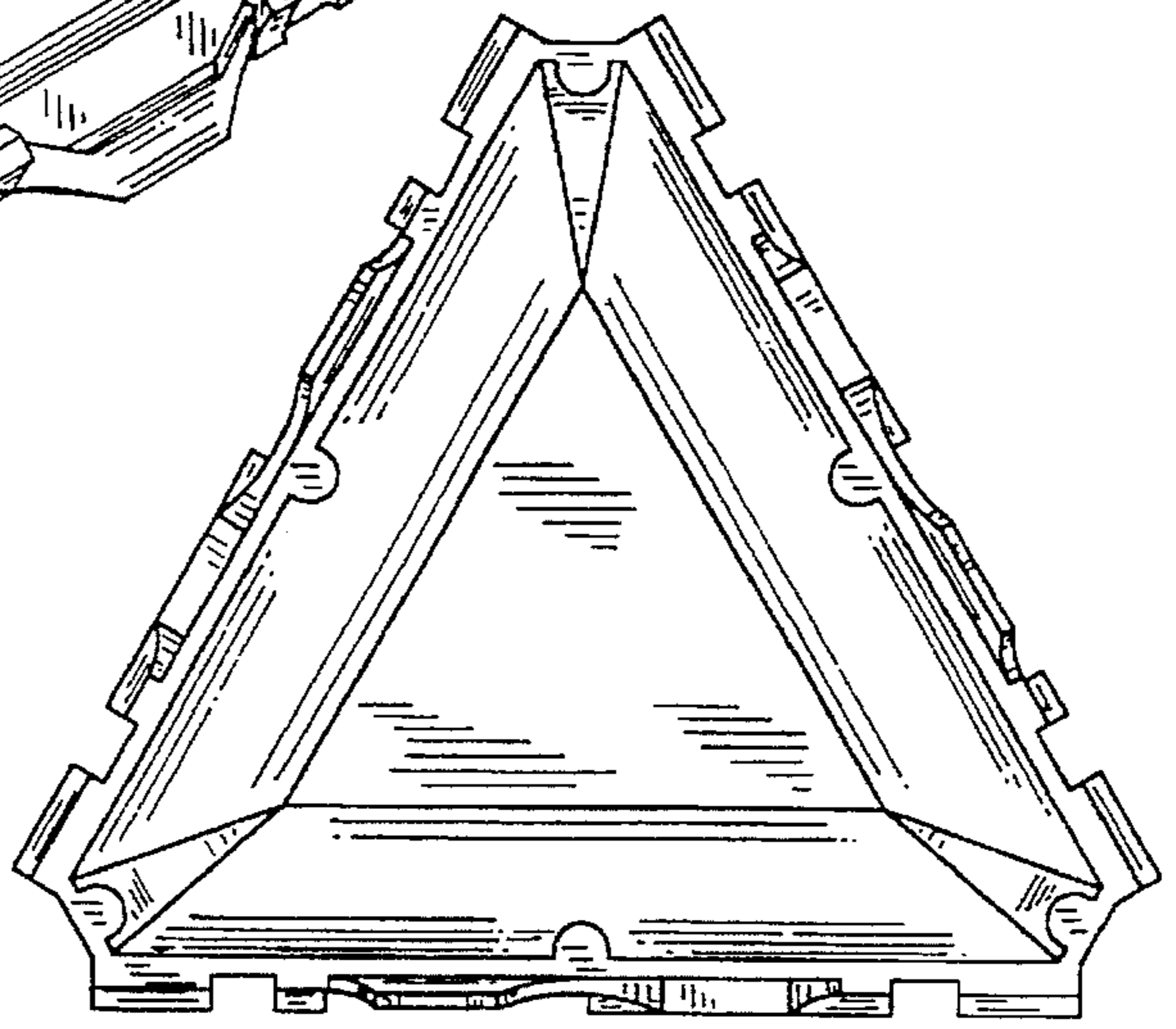


FIG. 3

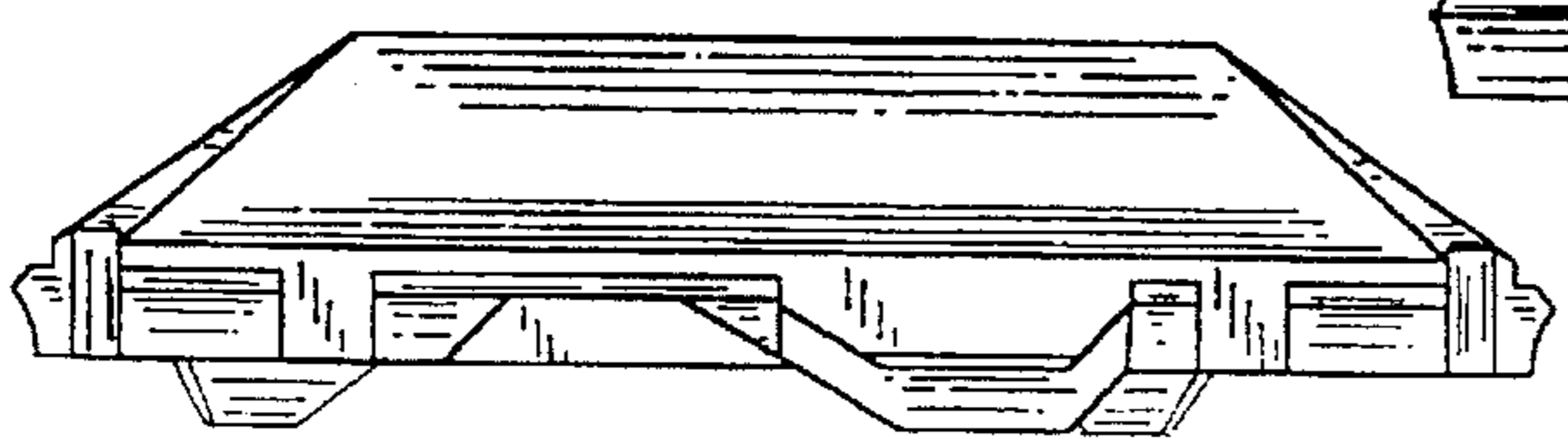


FIG. 4

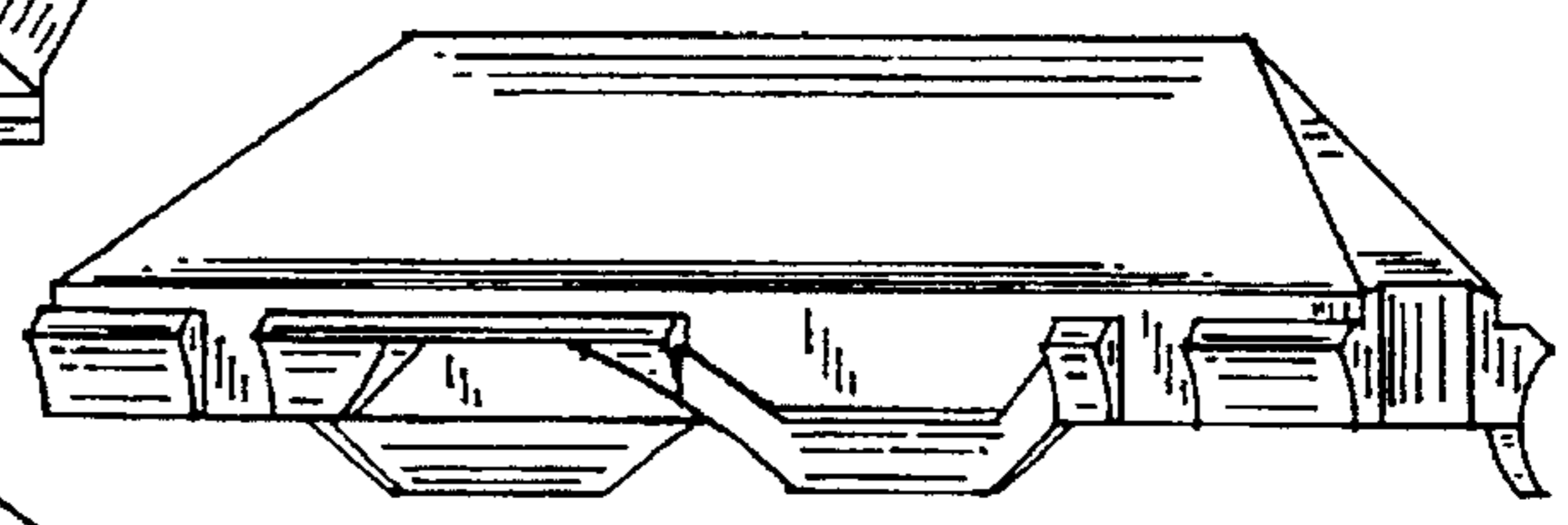


FIG. 6

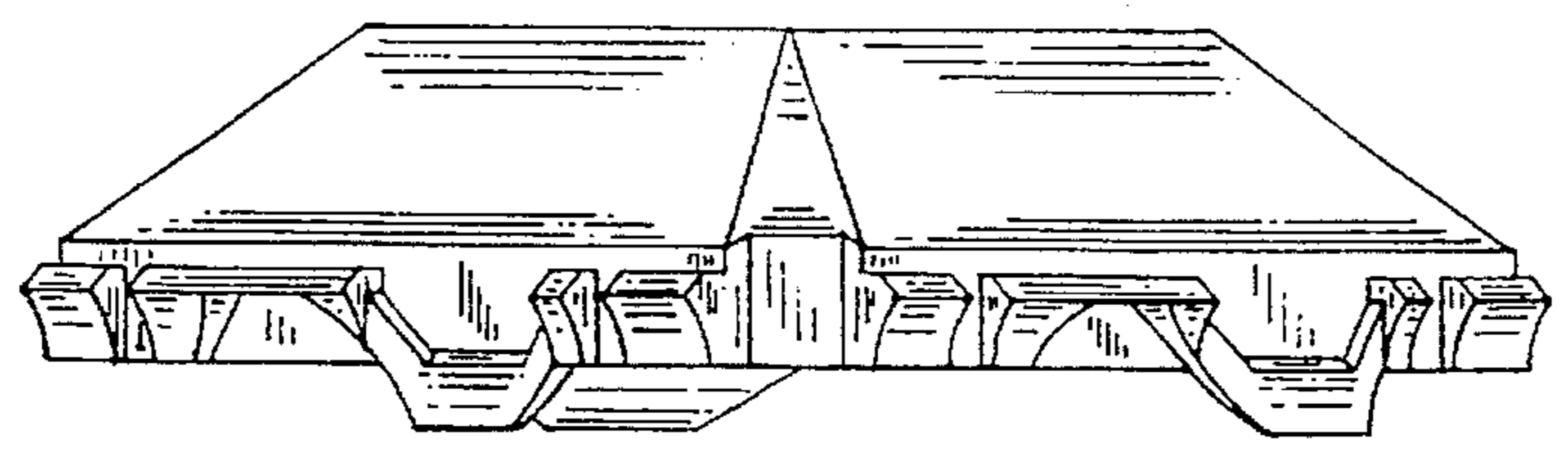


FIG. 5